



**Cybex 770T/790T Treadmill
Service Manual**

Table of Contents

Safety

Safety Guidelines and Practices.....	4
Power Cord Information.....	4
Voltage Information.....	5
Important Safety Instructions.....	5
Warning Decals.....	7
Label Placement.....	9
Emergency Stop Key (e-stop).....	10

Maintenance

Warnings.....	12
Clean Unit.....	12
Vacuum Motor Bay.....	13
Running Belt.....	15
Other Maintenance.....	17
E3 View or Cybex GO Monitor.....	18
Service Wheel (optional).....	18
Service Schedule.....	19

Customer Service

Product Registration.....	22
Contacting Service.....	22
Ordering Parts.....	22
Return Material Authorization (RMA).....	23
Damaged Parts.....	23

Service

Console Layout.....	24
Emergency Stop Key (e-stop)	32
Setup.....	33
Audio Visual Configuration.....	35
Cybex GO Setup.....	58
Equipment Setup.....	64
Diagnostics.....	66
Cybex GO Monitor Diagnostics.....	72
Error Codes 770T, 790T Treadmill.....	74
Software Update 770T.....	116
Calibration.....	119
Parts Replacement.....	122
Schematics.....	255

Cybex® and the Cybex logo are registered trademarks of Cybex International, Inc. Polar® is a registered trademark of Polar Electro Inc. iPod and iPhone are trademarks of Apple Inc., registered in the U.S. and other countries.

DISCLAIMER: Cybex International, Inc. makes no representations or warranties regarding the contents of this manual. We reserve the right to revise this document at any time or to make changes to the product described within it without notice or obligation to notify any person of such revisions or changes.

© Copyright , Life Fitness, LLC. All Rights Reserved. Life Fitness, Hammer Strength, Cybex, ICG and SCIFIT are registered trademarks of Life Fitness, LLC and its affiliated companies and subsidiaries. Brunswick and related trademarks used under license from Brunswick Corporation. Columbia Center III - 9525 West Bryn Mawr Ave, Rosemont, IL 60018 • 800-351-3737 • 847-288-3700 • FAX 800-216-8893
www.cybexintl.com • •

FCC Compliance Information

Changes or modifications to this unit not expressly approved by the party responsible for compliance could void the user's authority to operate the equipment.

This equipment has been tested and found to comply with the limits for a Class A digital device, pursuant to part 15 of the FCC Rules. These limits are designed to provide reasonable protection against harmful interference when the equipment is operated in a commercial environment. This equipment generates, uses, and can radiate radio frequency energy and, if not installed and used in accordance with the instruction manual, may cause harmful interference to radio communications. Operation of this equipment in a residential area is likely to cause harmful interference in which case the user will be required to correct the interference at his own expense.


This equipment has been tested and found to comply with the limits for a Class B digital device, pursuant to part 15 of the FCC Rules. These limits are designed to provide reasonable protection against harmful interference in a residential installation. This equipment generates, uses and can radiate radio frequency energy and, if not installed and used in accordance with the instructions, may cause harmful interference to radio communications. However, there is no guarantee that interference will not occur in a particular installation. If this equipment does cause harmful interference to radio or television reception, which can be determined by turning the equipment off and on, the user is encouraged to try to correct the interference by one or more of the following measures:

- Reorient or relocate the receiving antenna.
- Increase the separation between the equipment and receiver.
- Connect the equipment into an outlet on a circuit different from that to which the receiver is connected.
- Consult the dealer or an experienced radio/TV technician for help.

Modifications not expressly approved by the manufacturer could void the user's authority to operate the equipment under FCC rules.

Safety

Safety Guidelines and Practices

 Read the Owner's Manual carefully before assembling, servicing, or using the equipment. Owner must comply with all safety guidelines in this manual. It is also the owner's responsibility to instruct users on the safe and proper operation of the equipment and to properly display any and all warning labels and instructional placards. All users should read these labels and placards before using equipment.

WARNING

Serious injury or death could occur if the following safety precautions and instructions are not followed.

Power Cord Information

This treadmill must be grounded. If it should malfunction or break down, grounding provides a path of least resistance for electric current to reduce the risk of electric shock. This product is equipped with a cord having an equipment-grounding conductor and a grounding plug. The plug must be plugged into an appropriate outlet that is properly installed and grounded in accordance with all local codes and ordinances.

WARNING

Shock and electrocution hazard.







- Connect unit to a grounded outlet.
- Do not use voltage adapter or extension cord.




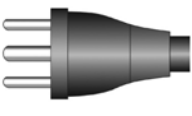

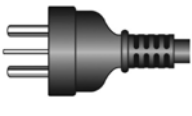


NOTICE

Cybex is not responsible for injuries or damages as a result of cord or plug modification.

- Verify voltage requirements of unit match local voltage requirements.
- Verify unit outlet is the same configuration as the plug.

Power cord configuration

		115 VAC	NEMA 5-20
		Euro Plug	CEE 7/7
		220 VAC	NEMA 6-15

		UK 230 VAC	BS 1363
		Danish	107-2-D1
		Australia	AS/NZS 3112
		Chinese	GB 2099-1 and GB 1002-1

Voltage Information

Before plugging the power cord into an electrical outlet, verify that the voltage requirements for the site match the voltage of the treadmill that has been received. The power requirements for the unit include a grounded, dedicated circuit, rated for one of the following:

- 100 VAC, 50/60 Hz, 20A
- 115 VAC, 50/60 Hz, 20A
- 208 VAC, 60 Hz, 15A
- 220 VAC, 60 Hz, 15A
- 230 VAC, 50 Hz, 13A, UK

See the front warning decal for the voltage requirements of the treadmill.

Important Safety Instructions

(Save These Instructions)


⚠️ WARNING

Shock and electrocution hazard.

- Unplug unit and let sit 10 minutes before cleaning or performing maintenance.
- Electrical charge can remain in unit after unplugging.
- Keep water and liquids away from electrical parts.

User Safety Precautions

Prior to use:

- Obtain a medical exam before beginning any exercise program.
- Obtain instruction before using.
-  Read and understand warning labels.
- Read and understand emergency stop procedures.

- Maximum user weight is 400 lbs. (180 kg).
- Inspect unit. If damaged, notify floor staff. **DO NOT USE.**
- Place your feet on the two top steps when starting or stopping the treadmill.
- Clip E-STOP lanyard to clothing.
- Do not remove this label. Replace if damaged or illegible.

During use

- Do not use for stretching and do not attach straps or other devices.
- Do not allow children 12 or younger to be on or near machine.
- Stop exercise if feeling faint, dizzy, or have pain.
- Use the handrails for support and to maintain balance.
- Keep all body parts, clothing, and accessories, clear of moving parts.
- Wait until running belt comes to a complete stop before getting off.

Facility Safety Precautions

It is the sole responsibility of the user/owner or facility operator to ensure that regular maintenance is performed.

- Enforce all user and safety precautions.
- Read and understand the Owner's Manual completely before assembling, servicing or using unit.
- Verify all users are properly trained on using the equipment.
- Do not use unit outdoors.
- Verify that each unit is setup, leveled and operated on a solid level surface. Do not install equipment on an uneven surface. Do not operate in recessed areas or on plush carpet.
- Verify there is enough room for safe access and operation of unit.
- Instruct all users on how to clip the e-stop clip onto their clothing and carefully test it prior to using the treadmill.
- Instruct all users to use caution when mounting and dismounting the treadmill.
- Use a dedicated line when operating the treadmill. A dedicated line requires one circuit breaker per unit.
- Connect the treadmill to a properly grounded outlet only.
- **DO NOT** operate electrically powered treadmills in damp or wet locations.
- Keep the running belt clean and dry at all times.
- **DO NOT** leave the treadmill unattended when plugged in and running.
 - 👉 **NOTE:** Before leaving the treadmill unattended, always wait until the treadmill comes to a complete stop and is level. Then, turn all controls to the STOP or OFF position and remove the plug from the outlet. Remove the e-stop key from the treadmill.
- Immobilize the treadmill (when not in use) by removing the e-stop key.
- Inspect the treadmill for worn or loose components before each use. Do not use until worn or damaged parts are replaced.
- Stop and place the treadmill at 0 degrees incline (level) after each use.
- Maintain and replace worn parts regularly. Refer to "Preventive Maintenance" section of Owner's Manual.
- **DO NOT** operate the treadmill if: (1) the cord is damaged; (2) the treadmill is not working properly or (3) if the treadmill has been dropped or damaged. Seek service from a qualified technician.

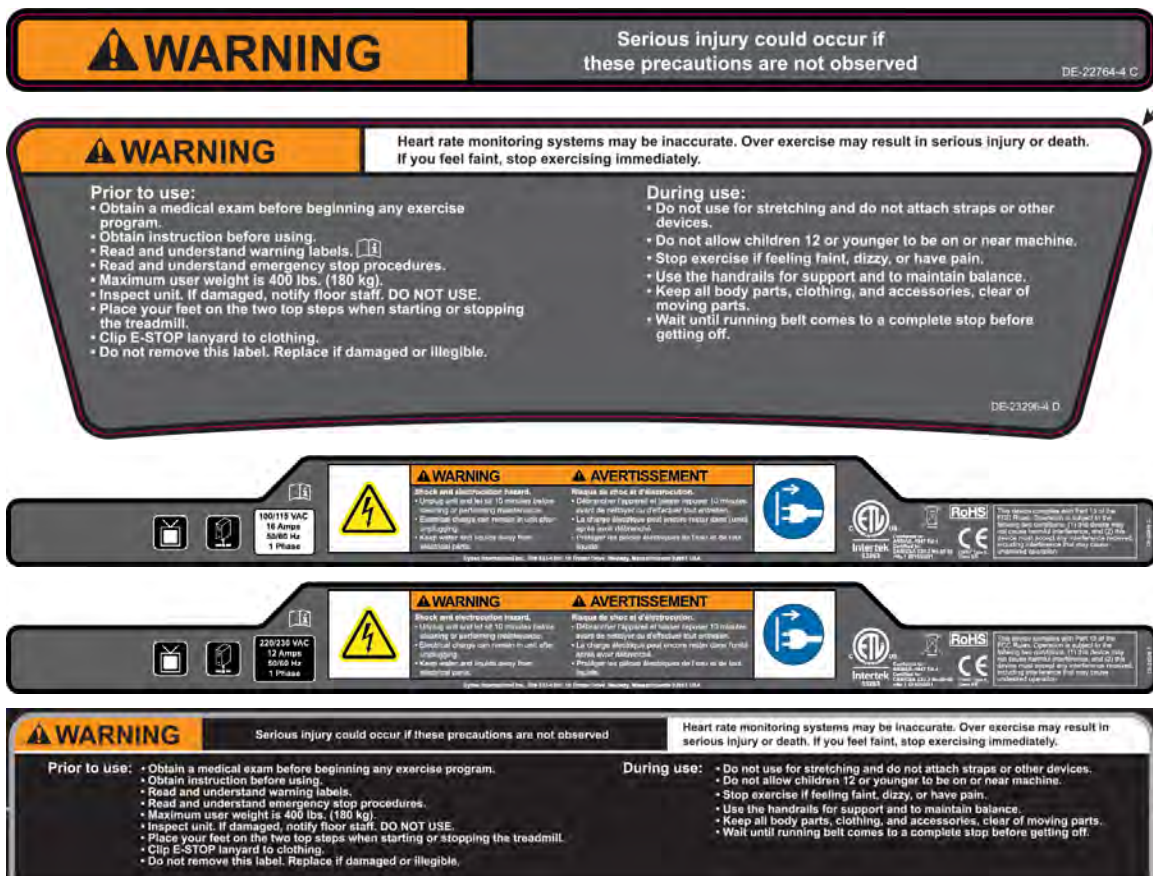
- DO NOT place the cord near heated surfaces or sharp edges.
 - DO NOT use the treadmill outdoors.
 - DO NOT operate the treadmill around or where aerosol (spray) or where oxygen products are being used.
 - Ensure all users wear proper footwear on or around all Cybox equipment.
 - Disconnect power before servicing.
 - DO NOT attempt repairs, electrical or mechanical.
- Seek qualified repair personnel when servicing. If you live in the USA, contact Cybox Customer Service at 888-462-9239. If you live outside the USA, contact Cybox Customer Service at 508-533-4300.
- Use Cybox factory parts when replacing parts on the treadmill.
 - DO NOT modify the treadmill in any way.
 - DO NOT use attachments unless recommended for the treadmill by Cybox.

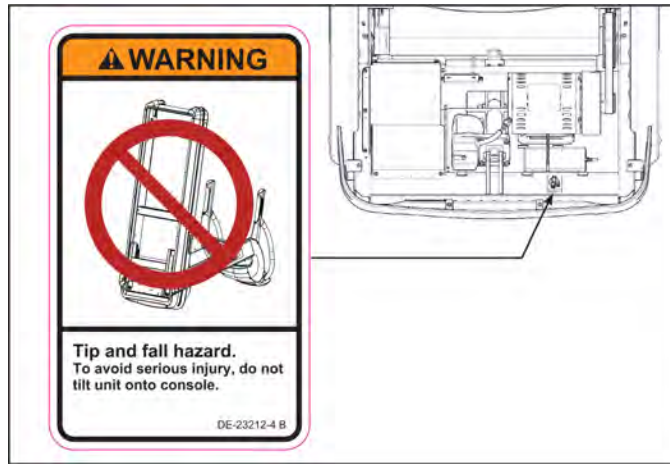
Warning Decals

Warning labels indicate a potentially hazardous situation that could result in serious injury or death if the precautions are not observed.

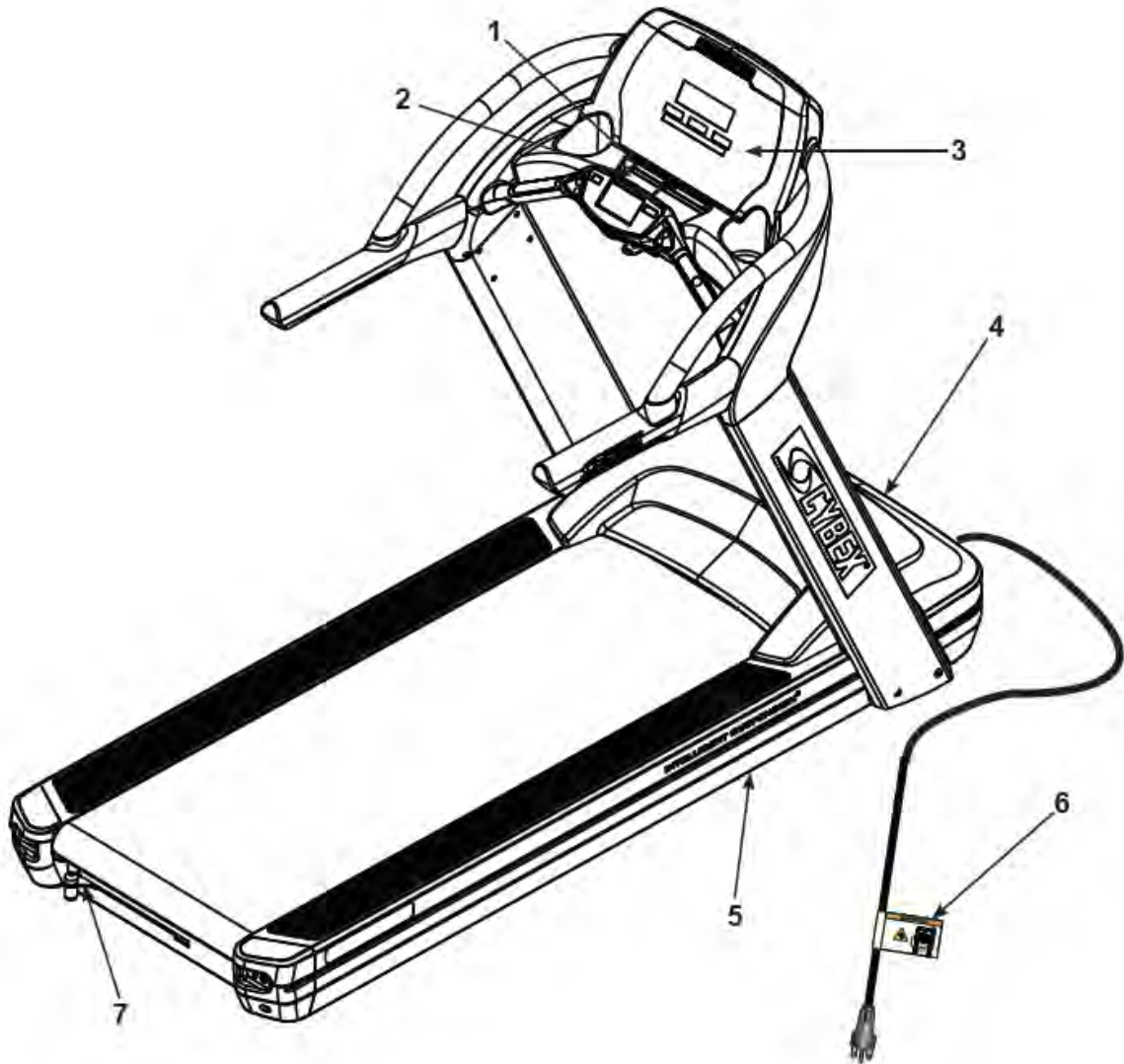
Caution labels indicate a potentially hazardous situation that could result in serious injury or damage to machine if the precautions are not observed.

Contact [Customer Support Services](#) to replace any worn or damaged labels.





Label Placement

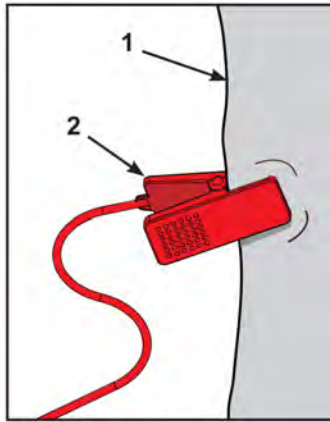


1	DE-22764-X	Decal, Warning upper, console
2	DE-23296	Decal, Warning lower, console
3	DE-23080-4	Decal, Warning, Upper Display, Canada
4	DE-22910	Decal, Motor Cover, 115 VAC
4	DE-23079	Decal, Motor Cover, 230 VAC
5	DE-23212-4	Label, Warning, Do not tilt
6	DE-23098	Decal, Power Cord
7	DE-25047-4	Decal, lever, service wheel

Emergency Stop Key (e-stop)

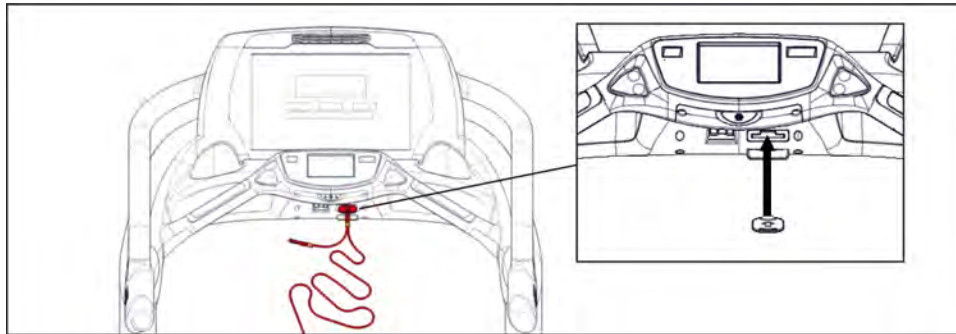
The e-stop key functions as an emergency stop. In an emergency situation, the e-stop key disengages from the console and the treadmill will come to a stop. Before using the treadmill, clip the e-stop key as described below.

1. Compress the spring and clip the e-stop clamp to your clothing.
Ensure the clip engages enough clothing so it does not fall off in an emergency situation. Be sure the string is free of knots and has enough slack for you to workout comfortably with the e-stop key in place.



Item	Description	Qty.
1	Clothing	1
2	Clip	1

2. Without falling off the treadmill, carefully step backward until the e-stop pulls out of the console. If the e-stop clip falls off your clothing then the test has failed. Reclip the e-stop clip to your clothing and repeat this step.

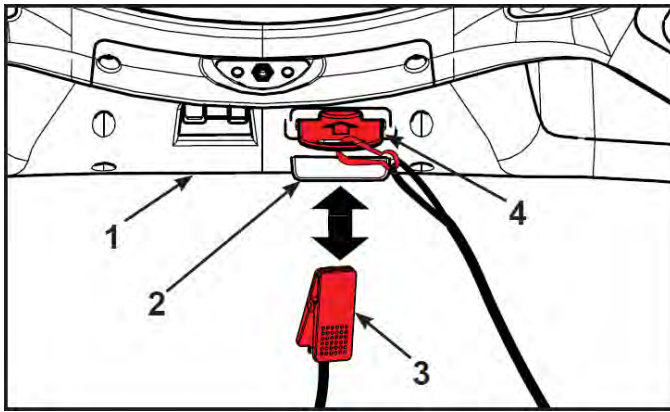


3. Replace the e-stop key.
4. The treadmill is now ready to be used. Ensure the e-stop clip is secured to your clothing at all times during use.

5. After use, remove the e-stop key from the treadmill.

The e-stop key can be removed to help prevent unauthorized use. Refer to the Stopping the Treadmill section in the Operation chapter for more information about the e-stop key.

When not in use store the e-stop clip on the storage tab located on the lower cover.



Item	Description	Qty.
1	Lower cover	1
2	Storage tab	1
3	E-Stop clip	1
4	E-Stop	1

Maintenance

All preventive maintenance activities must be performed on a regular basis. Performing routine preventive maintenance actions can aid in providing safe, trouble-free operation of all Cybex equipment.

Cybex is not responsible for performing regular inspection and maintenance actions for your machines. Instruct all personnel in equipment inspection and maintenance actions and also in accident reporting and recording. Cybex representatives are available to answer any questions that you may have.

Warnings

 Read all warnings in this chapter.

⚠ WARNING

For maintenance, service and repair:

- Must be performed by trained service personnel only
- Use only Cybex replacement parts
- Unplug unit before working on it
- Keep water and liquids away from electrical parts.

⚠ DANGER

Electrocution hazard. To avoid death or serious injury unplug unit when not in use or when performing maintenance.

⚠ WARNING

Equipment hazard. To avoid serious injury or death replace worn or damaged components immediately and keep the equipment out of use until repair is completed.

Clean Unit

⚠ WARNING

Shock and electrocution hazard.

- Unplug unit and let sit 10 minutes before cleaning or performing maintenance.
- Electrical charge can remain in unit after unplugging.
- Keep water and liquids away from electrical parts.

Tools Required

- Cleaning solution
- Rubbing alcohol
- Clean cloth
- Vacuum

After Each Use

Wipe up any liquid spills immediately. After each workout, use a cloth to wipe up any remaining perspiration from the handrails and painted surfaces.

Be careful not to spill or get excessive moisture between the edge of the display panel and the console, as this might create an electrical hazard or cause failure of the electronics.

As Needed

Vacuum any dust or dirt that might accumulate under or around the unit. Cleaning this area should be done as often as indicated in the Service Schedule.

Clean Console

NOTICE

Do not spray cleaning solution directly on the console. Direct spraying could cause damage to the electronics and may void the warranty.

- Spray a mild cleaning agent on a clean cloth.
- Clean the console, accessory tray, and cup holder with a damp cloth.

Clean Base

- Spray a mild cleaning agent on a clean cloth.
- Clean the base of the unit with a damp cloth.

Contact Heart Rate Grips

Clean the grips using a cloth dampened with a cleaning solution containing rubbing alcohol.

Contaminants, such as hand lotions, oils or body powder, may come off on the contact heart rate grips. These can reduce sensitivity and interfere with the heart rate signal. It is recommended that the user have clean hands when using the contact heart rate.

CardioTouch Screen

While in *Dormant Mode* press the **Cybex** logo icon to access the *Lock and Toolbox* options. Press the **Lock screen for cleaning** icon to lock the screen for 10 seconds. The CardioTouch screen will stay locked for 10 seconds to prevent any key presses from being processed.

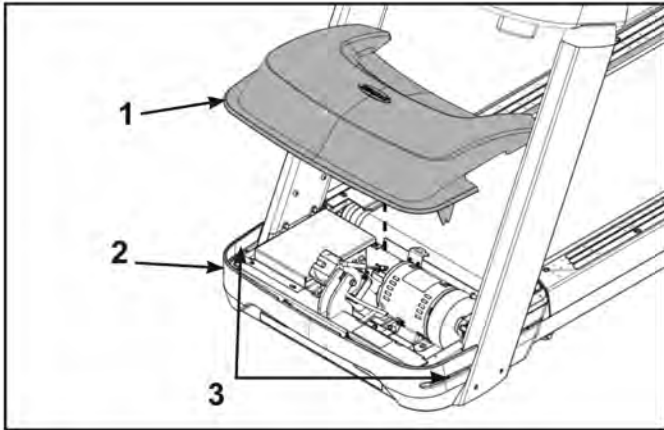
- Clean with a dust free cloth. For further cleaning, use a soft cloth or paper towel dampened with water. To avoid damage to the surface of the monitor, do not use abrasive or chemical cleaning agents.
- Disinfecting: to avoid damage to the surface, test a small portion of the monitor's cabinet with any disinfectant to verify that the disinfectant will not discolor or soften the enclosure.

Vacuum Motor Bay

Tools Required

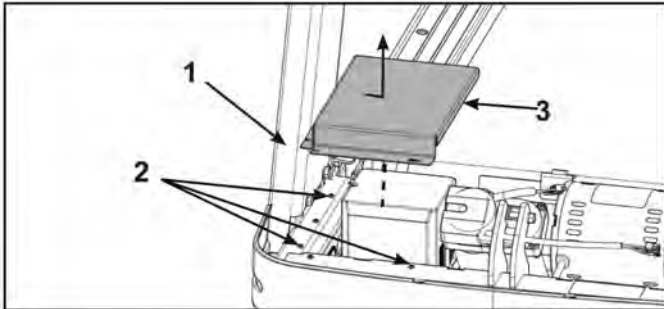
- Phillips screwdriver
- Clean cloth
- Vacuum, with tip for small spaces

1. Loosen, but do not remove the two front cover screws securing the motor cover using a Phillips screwdriver.



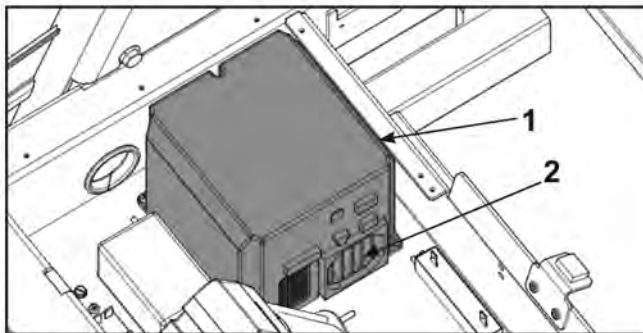
Item	Description	Qty.
1	Motor cover	1
2	Front cover	1
3	Screws	2

2. Remove motor cover by lifting vertically.
3. Loosen but do not remove the seven screws securing the shield to the base using a Phillips screwdriver.



Item	Description	Qty.
1	Base	1
2	Screws	7
3	Shield	2

4. Remove shield by sliding sideways and then vertically off of base.
5. Use a vacuum attachment or hand vacuum to clean the exposed elevation assembly, drive motor, lower electronics and the surrounding areas.
6. Vacuum the fan and heat sink area of the motor controller.



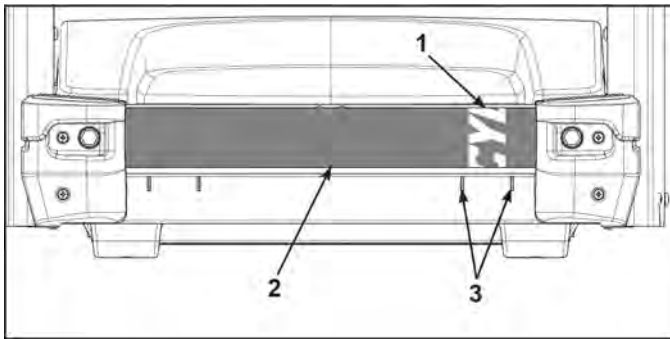
Item	Description	Qty.
1	Motor controller	1
2	Fan and heatsink	1

7. Use a dry cloth for the areas that you can not reach with the vacuum cleaner. If the machine has not been used for some time or is excessively dirty, use a dry cloth to wipe all exposed areas.
8. Raise the rear of the treadmill and roll it back from its present position to vacuum the floor area underneath the unit. When finished, return the treadmill to its normal position.

Running Belt

Center and tension the running belt

1. Plug the power cord into the power outlet.
2. Turn the main power switch to the on (I) position.
3. Tap the **Quick Start** icon.
4. Press the **Speed +** key to bring the speed up to 5 mph (8 kph). Allow the treadmill to run for a minute. The lateral position of the running belt is correctly centered when the Cybex logo is centered between the inside edges of the two belt tracking slots. If the Cybex logo is not centered between the belt tracking slots, center the running belt with the following procedure.
5. Observe the Cybex logo position relative to the belt tracking slots with the treadmill running at 5 mph (8 kph).

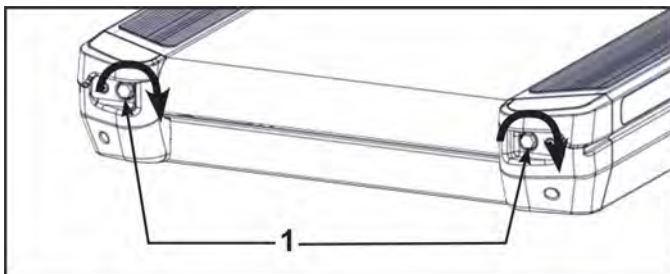


Item	Description	Qty.
1	Cybex logo	1
2	Running belt	1
3	Belt tracking slot	4

While centering the running belt choose one bolt to adjust. Do not adjust both bolts.

6. Tighten the rear roller bolt on the side of the treadmill toward which the running belt is moving using a 3/4" socket wrench.

For example: If the running belt moves to the right of the belt tracking slots, tighten the bolt on the right side of the frame, tighten about 1/2 of a turn (clockwise) and wait 30 seconds. If the running belt does not move back to the center of the belt tracking slots, make another adjustment to the same bolt. Once the running belt has been adjusted closer to the center of the belt tracking slots, use about 1/4 of a turn until the running belt has been stabilized.



Item	Description	Qty.
1	Rear roller bolt	2

7. Check the belt tension after the running belt has been centered.
Make sure the running belt tension is tight enough so that the running belt does not slip or hesitate when stepped on. Walk on the treadmill at 3.5 - 4 mph (5.6 - 6.4 kph) and every 4th to 5th step throw your weight into your step to feel if the running belt is slipping. If slipping is felt, confirm it is the running belt slipping and not the drive belt. With the hood cover removed, observe movement at the drive belt and front roller.
Do not over tighten the running belt. Over tightening the running belt can cause the belt to stretch and require replacement. Continue procedure until running belt stops slipping.
8. Check running belt for centering position.
If running belt is not centered, perform steps 5 and 6.

Check Running Belt and Deck Surfaces

The running belt and deck should be checked periodically for any excessive wear. In an effort to make sure that the running belt operates properly, visually inspect the belt often to make sure that there are no tears or fraying in the belt material. The running belt should be replaced every 15,000 miles (24,140 km). The running deck should be flipped every 15,000 miles (24,140 km) and replaced every 30,000 miles (48,280 km). A service prompt will appear at this interval and the parts will need to be replaced.

Tools Required

Phillips screwdriver

Disconnect power source

1. Toggle the on/off (I/O) power switch to the off (O) position. The on/off (I/O) power switch is located under the front end of the unit, or on the front right side panel.
2. Unplug the treadmill from the power outlet.

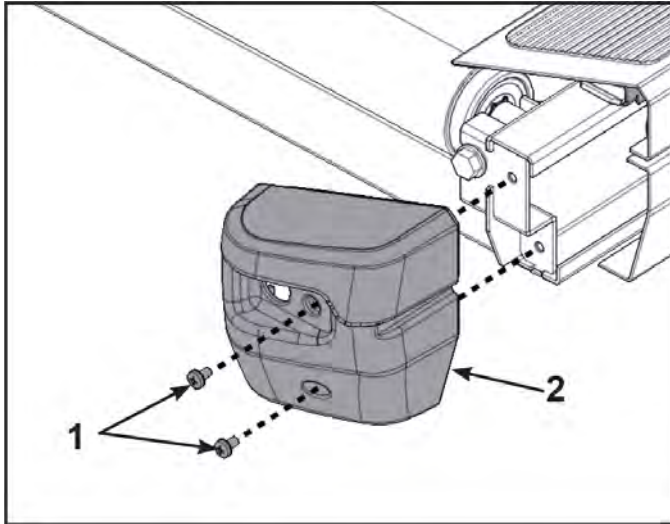
WARNING

Shock and electrocution hazard.

- Unplug unit and let sit 10 minutes before cleaning or performing maintenance.
- Electrical charge can remain in unit after unplugging.
- Keep water and liquids away from electrical parts.

Check the running belt condition

1. Remove the two screws securing the right end cap using a Phillips screwdriver.



Item	Description	Qty.
1	Screws	2
2	Right end cap	1

2. Repeat step 1 for the left end cap.
3. Inspect the top surface, seam, and edges of the running belt while you roll it by hand.
 - 👉 **NOTE:** If the belt has any rips or looks excessively worn the belt needs to be replaced. If the running belt and deck need replacement refer to a qualified service technician.
4. Install the screws securing the end caps removed in steps 1 and 2 using a Phillips screwdriver.

Other Maintenance

Other preventive maintenance activities must be completed by a qualified service technician at the recommended intervals listed in the **Service Schedule** at the end of this chapter. These activities include:

- Flipping or replacing the running deck
- Replacing the running belt

Elevation Motor Lubrication

In time the elevation motor pivot points or tube nut may develop a squeak. Lubricate the upper and lower bolts and the spacers with a small amount of lithium grease. You can buy lithium grease at an auto parts store.

Static Electricity

Depending upon where you live, you may experience dry air, causing a common experience of static electricity. This may be especially true in the winter time. You may notice a static build-up just by walking across a carpet and then touching a metal object. The same can hold true while working out on your treadmill. You may experience a shock due to the build-up of static electricity on your body and the discharge path of the treadmill. If you experience this type of situation, you may want to increase the humidity to a comfortable level through the use of a humidifier.

E3 View or Cybex GO Monitor

Cleaning

- Clean with a dust free cloth. For further cleaning, use a soft cloth or paper towel dampened with water. To avoid damage to the surface of the monitor, do not use abrasive or chemical cleaning agents.
- Disinfecting: to avoid damage to the surface, test a small portion of the monitor's cabinet with any disinfectant to verify that the disinfectant will not discolor or soften the enclosure.

Storage or Long Non-Use Periods

When not using product for an extended period of time the product should be disconnected from the Power Supply, TV/Cable Signal Feed, and any Peripheral Devices.

Pixels

Very small red, blue, white or green spots may be visible or may appear on the screen. This is a characteristic of liquid crystal display panels and is not considered a defect for replacement. The liquid crystal panel is built with very high precision technology giving fine picture details. Occasionally, a few non-active pixels may appear on the screen as a fixed point. This does not affect the performance of monitor or merit a warranty claim.

Maintenance

- It is very important to have the unit regularly examined by a qualified technician to ensure the product is fit for use.
- If the unit malfunctions, please refer to a qualified technician for repair or replacement of defective parts immediately. Do not attempt to use the monitor until it has been inspected and repaired by a qualified technician.
- For inspection, installation and servicing, please consult qualified technician.
- Failure to use a manufacturer approved repair technician may void any warranty claims.

Service Wheel (optional)

A service wheel lever is located at the rear end of the unit. This lever will engage a wheel and elevate the rear end of the unit. The treadmill can then be easily moved for cleaning or servicing.

****WARNING****

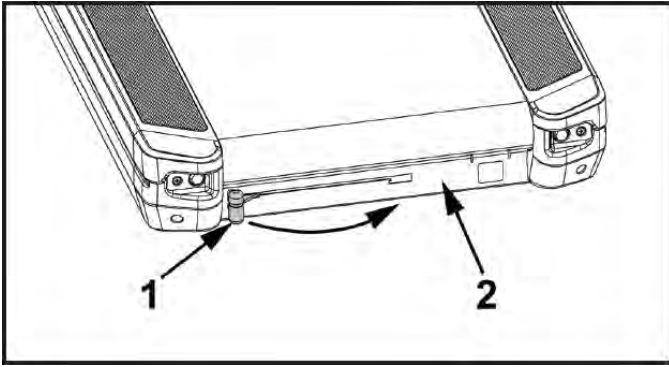
Shock and electrocution hazard.

- Unplug unit and let sit 10 minutes before cleaning or performing maintenance.
- Electrical charge can remain in unit after unplugging.
- Keep water and liquids away from electrical parts.

Engage service wheel

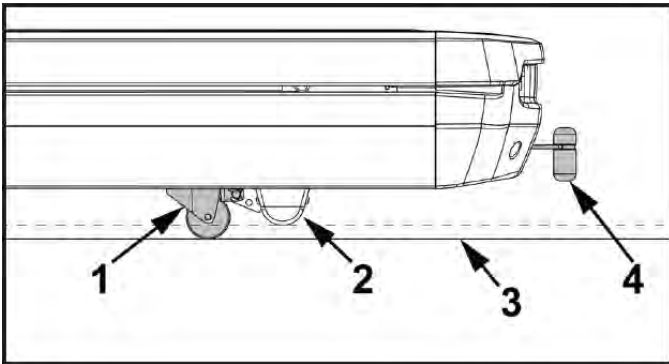
1. Unplug power cord from power outlet.

- Grasp the service wheel lever and slide to the right and down to lock in place.



Item	Description	Qty.
1	Service wheel lever	1
2	Frame	1

The service wheel will lower and raise the rear feet off the floor.



Item	Description	Qty.
1	Service wheel	1
2	Rear feet	2
3	Floor	1
4	Service wheel lever	1

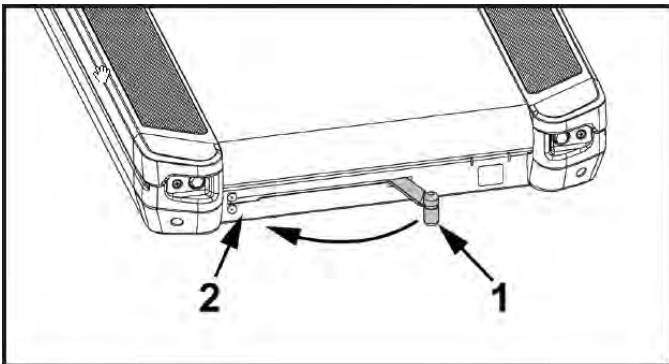
- Move treadmill as needed.

Disengage service wheel



WARNING Trip and fall hazard. To avoid injury, make sure service wheel lever is not engaged prior to use.

- Grasp the service wheel lever and slide to the right, lift up, and slide to the left.



Item	Description	Qty.
1	Service wheel lever	1
2	Frame	1



- Plug the power cord into the power outlet.









Service Schedule

All maintenance activities shall be performed by qualified personnel. Failure to do so could result in serious injury.

This is the minimum recommended service.

Determine distance

	CYBEX LOGO	Press and hold Cybex logo for 6 seconds to access Screen Lock and Toolbox .
	LANGUAGE ICON	Press and hold language logo for 6 seconds to access Screen Lock and Toolbox .

1. Tap the **Access Toolbox** icon to display the **Access to Toolbox** login screen.
2. Enter the sequence:     .
3. Press the **Statistics** icon to access the **Recorded Statistics** screen.
4. Locate and tap the icon for **Treadmill Totals**.
5. Record Distance.
6. Tap the **Back**  icon to return to the **Recorded Statistics** screen.
7. Locate and tap the icon for **Belt** or **Deck**.
8. Record Distance.
9. If replacing the running belt, tap the **Belt** icon, then tap the **New Belt Reset** icon to reset odometer.
10. If replacing the running deck, tap the **Deck** icon, then tap the **New Deck Reset** icon to reset odometer.
11. Exit Set Up Mode by tapping the **Toolbox**  icon, then tap the **Home** icon . The screen will refresh.

First 500 miles (800 km).

Check running belt tension and tracking.

Every 5,000 miles (8,000 km).

1. Check running belt tension and tracking.
2. Vacuum the fan and heat sink area of the motor controller.
3. Move treadmill and vacuum underneath.
4. Use Service wheel, or raise elevation to 15%, carefully roll the treadmill backwards to clean underneath with a dry cloth and vacuum. Return to normal position when done.

Every 15,000 miles (24,140 km).

1. Replace running belt and flip deck.
2. Check elevation assembly and replace worn parts.
3. Lubricate elevation pivot points.

Every 30,000 miles (48,280 km).

Replace running belt and deck.

Customer Service

Product Registration

To register product do the following:.

1. Visit www.cybexintl.com.
2. Locate Product Registration in the Support section.
3. Fill out form completely.
4. Click the **Submit** button to register product.

Contacting Service

Hours of phone service are Monday through Friday from 8:30 a.m. to 6:00 p.m. Eastern Standard Time.

For Cybex customers living in the USA, contact Cybex Customer Service at 1-888-462-9239.

For Cybex customers living outside the USA, contact Cybex Customer Service at 1-508-533-4300 or fax 1-508-533-5183. Email address internationaltechhelp@cybexintl.com

Find information on the web at www.cybexintl.com.

To contact us online go to www.cybexintl.com.

Ordering Parts

To order parts online go to www.cybexintl.com.

To speak with a customer service representative, call 800-351-3737 (for customers living within the USA) or 847-288-3700 (for customers outside the USA).

The following information located on the serial number decal will assist our Cybex representatives in serving you.

- Unit Serial Number, Product Name and Model Number
- Part Description and Part Number if you have it. All parts can be found on the web at www.cybexintl.com
- Shipping Address
- Contact Name
- Include a description of the problem.

In addition to your shipping address and contact name, your account number is helpful but not required. You may also fax orders to 800-216-8893.

Return Material Authorization (RMA)

The Return Material Authorization (RMA) system is used when returning material for placement, repair or credit. The system assures that returned materials are properly handled and analyzed. Follow the following procedures carefully.

Contact your authorized Cybex dealer on all warranty-related matters. Your local Cybex dealer will request a RMA from Cybex, if applicable. Under no circumstances will defective parts or equipment be accepted by Cybex without proper RMA and an Automated Return Service (ARS) label.

Please contact [Cybex Customer Service](#) for the return of any item that is defective.

Provide the technician with a detailed description of the problem you are having or the defect in the item you wish to return. Provide the model and serial number of your Cybex equipment.

At Cybex's discretion, the technician may request that you return the problem part(s) to Cybex for evaluation and repair or replacement. The technician will assign you a RMA number and will send you an ARS label. The ARS label and the RMA numbers must be clearly displayed on the outside of the package that contains the item(s) to be returned. Include the description of the problem, the serial number of the equipment and the name and address of the owner in the package along with the part(s).

Merchandise returned without an RMA number on the outside of the package or shipments sent COD will not be accepted by the Cybex receiving department.

Damaged Parts

Materials damaged in shipment should not be returned for credit. Shipping damages are the responsibility of the carrier (UPS, Federal Express, trucking companies, etc.)

Apparent Damage

Upon receipt of your shipment, check all items carefully. Any damage seen with a visual check must be noted on the freight bill and signed by the carrier's agent. Failure to do so will result in the carriers refusal to honor your damage claim. The carrier will provide you with the required forms for filing such claims.

Concealed Damage

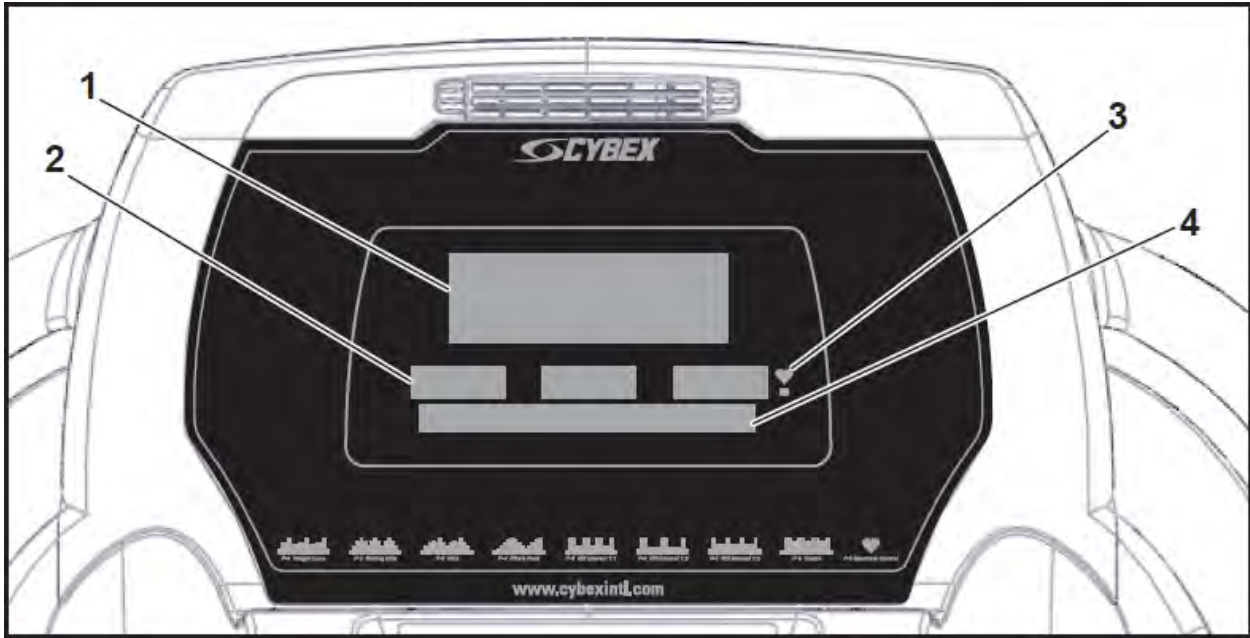
Damage not seen with a visual check upon receipt of a shipment but notices later must be reported to the carrier as soon as possible. Upon discovery of the damage, a written or phone request to the carrier asking them to perform an inspection of the materials must be made within ten days of the delivery date. Keep all shipping containers and packing materials as they will be needed in the inspection process. The carrier will provide you with an inspection report and the necessary forms for filing a concealed damage claim. Concealed damage claim is the carrier's responsibility.

Service

Console Layout

Console Display

LED Display








1	Bar Graph	3	Heart Rate Indicator
2	Data Readouts	4	Enunciator






E3 View Monitor



User Control Symbols Used













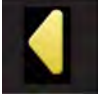
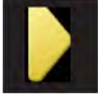





Control	Control Name	Description
	INCLINE UP	Adjust Incline up.
	INCLINE DOWN	Adjust Incline down.
	SPEED UP	Adjust Speed up.
	SPEED DOWN	Adjust Speed down.
	VOLUME UP	Adjust Volume up.



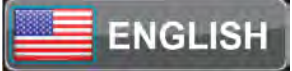
Control	Control Name	Description
	VOLUME DOWN	Adjust Volume down.
	CHANNEL UP	A/V - Channel UP
	CHANNEL DOWN	A/V - Channel DOWN
	STOP	Press STOP once to end the workout session and start the <i>Workout Review</i> . Press STOP again to exit to <i>Dormant Mode</i> .
	FAN	Default speed is OFF during active mode. Press the FAN key to control fan speed. Choices are OFF, LOW and HI.

CardioTouch Symbols Used



Icon	Icon Name	Description
	Quick Start	Quick Start enters Active Mode at the default settings with time counting up from 0:00.
	WORKOUTS	Tap Workouts icon to enter workout group selection.
	TV	Tap TV icon to enter TV control menu. If TV is not connected, icon will not be shown.
	TV + FM	Tap TV + FM icon to enter TV + FM control menu. If TV + FM is not connected, icon will not be shown.
	HOME	Return to opening screen.
	START	Enter Active Mode .

Icon	Icon Name	Description
	PAUSE	If pause feature is enabled, pause icon is shown. Press Pause icon once to enter pause mode.
	STOP	If pause feature is disabled, stop icon is shown. Press Stop icon or STOP button once to enter Workout review .
	BACK	Return to previous or opening screen.
	UP LEVEL	Go up one level.
	SHIFT LEFT	Shift the screen left to view more options.
	SHIFT RIGHT	Shift the screen right to view more options.
	KEYPAD	Numeric keypad for entering data.
	ENTER	Accepts the value shown.
	CLEAR	Clear any values selected.
	INFO	Select to provide more information and details.
	SCALE	Displays current value in the minimum and maximum range.

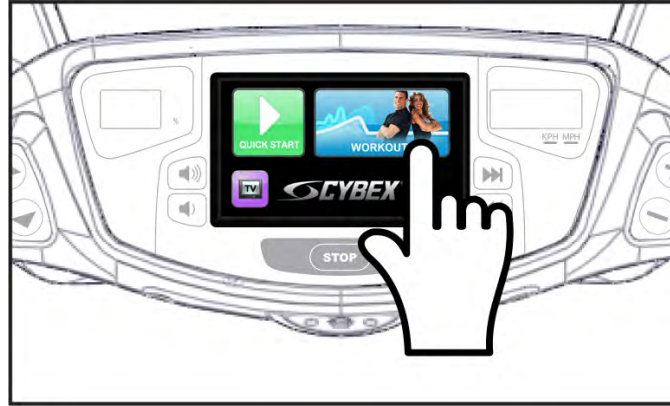
Icon	Icon Name	Description
	SCAN	This icon defaults to SCAN, which displays the workout info on the upper display, changing every 5 seconds. Tap the SCAN icon to display different data sets. Tap again to change the data set, or multiple times to get back to SCAN.
	CYBEX LOGO	Press and hold Cybex logo for 6 seconds to access Screen Lock and Toolbox .
	LANGUAGE ICON	Press and hold language logo for 6 seconds to access Screen Lock and Toolbox .

CardioTouch Screen and User Controls



1	Incline keys	6	Volume Keys
2	Incline display	7	STOP Key
3	CardioTouch screen	8	Fan Key
4	Speed display	9	Channel Keys
5	Speed Keys		

CardioTouch Screen — Tap the icons to make selections.



Changing Speed

Press the **Speed+** - keys to change the speed in increments of 0.1 mph or 0.1 kph. Minimum to maximum speed is from 0.5 - 12.4 mph (0.8 - 20 kph).

Changing Incline

Press the **Incline** keys to change the elevation in increments of ½% increments up to 10%, then 1% up to 15%. Press multiple times to change incline setting or hold the key to auto-repeat. Elevation is defined as the ratio of rise or fall over run of the treadmill deck.

Changing between active mode or workouts

You can make changes during your workout. Press **WORKOUTS** to select another workout, **Manual** to select Manual Mode, or **Goal** to change your Time, Distance, or Calorie Goal. Follow screen prompts to begin the new workout.

Cyberx GO Console and User Controls

Cyberx GO Console



1	Data bar	Displays messages and workout data.
2	Video display area	Displays video, data, or blank.










3	Menu bar	Menu icons for Cybex GO options.
4	Heart rate indicator	Display heart rate and multi color indicator.

Data bar

Tap data icons to toggle the data displayed. TIME and BPM do not toggle. See *Heart rate indicator* for more information about BPM (Beats Per Minute).

DISTANCE	CALORIES	TIME	MET	Graph or message	BPM
CAL/HR	PACE		WATT		

Menu bar

Icon	Icon Name	Description
	Home	Main landing page with content tailored to each user.
	Display Mode	Tap Display Mode icon to toggle between 4 display modes: <ul style="list-style-type: none"> • TV + Data- Display video with data at top of screen • TV Only- Display video only, no data • Data Only- Display data only, no video • Blank- Screen is blank, video and data are not displayed
	Browser	Select from available website links.
	TV	Select from available TV channels. Channels available are based on the local cable TV provider.
	Video on Demand	Watch videos on demand. Various content categories (TV Shows, Movie Trailers, Classic TV, etc) are grouped into channels.
	Music Videos	Watch available music videos. Playlists are organized by music genre. Create your own playlist.
	Virtual Active	The Virtual Active attraction features videos, shot from first person perspective, through beautiful landscapes, cityscapes and events from around the world.
	Log in/Sign up	Sign up as a new user or login with existing account.
	History	Review workout history if logged in.

Cybex GO Console Log In or Sign Up

XID is a universal network that allows you to log into connected fitness equipment.

An XID account allows you to:

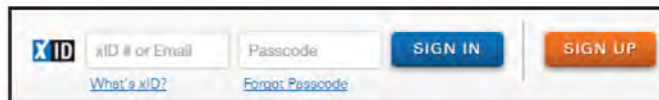
- Create playlists for your favorite audio and video tracks
- Track your workouts
- Join in group challenges

At the opening screen there are three options available.

Sign-in with XID	Enter an existing XID account number.
CREATE ACCOUNT	Create a new XID account.
CONTINUE AS GUEST	Skip the log in process. Some functions will be limited.



1. Visit one.netpulse.com.
2. To create an account, click **Sign Up**.
3. Select your club from the dropdown list.
4. To Sign In, enter your XID number and passcode.

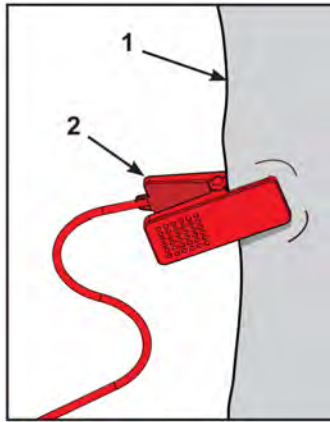


5. If your club has their own custom URL, log into *ClubName.netpulse.com*.

Emergency Stop Key (e-stop)

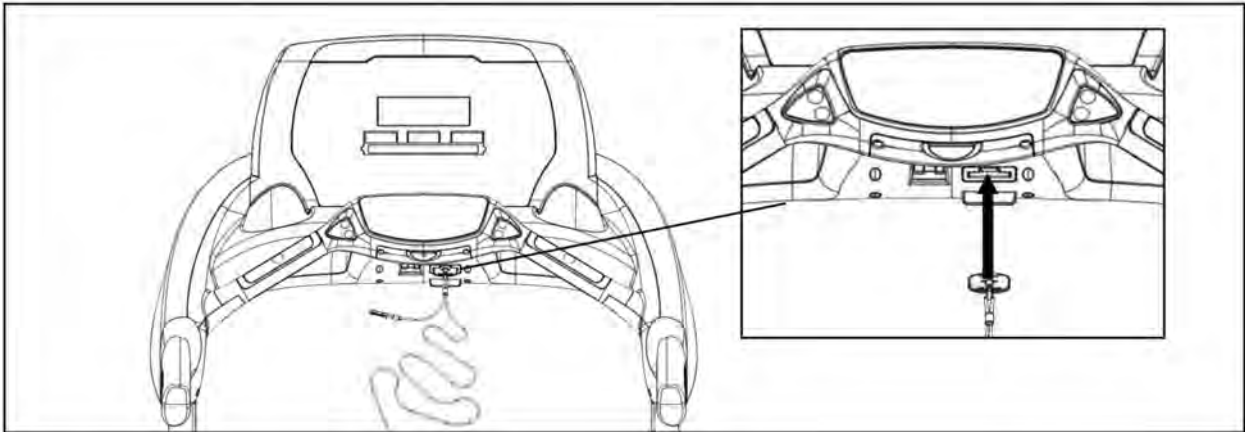
The e-stop key functions as an emergency stop. In an emergency situation, the e-stop key disengages from the console and the treadmill will come to a stop. Before using the treadmill, clip the e-stop key as described below.

1. Compress the spring and clip the e-stop clamp to your clothing.
Ensure the clip engages enough clothing so it does not fall off in an emergency situation. Be sure the string is free of knots and has enough slack for you to workout comfortably with the e-stop key in place.



Item	Description	Qty.
1	Clothing	1
2	Clip	1

2. Without falling off the treadmill, carefully step backward until the e-stop pulls out of the console. If the e-stop clip falls off your clothing then the test has failed. Reclip the e-stop clip to your clothing and repeat this step.

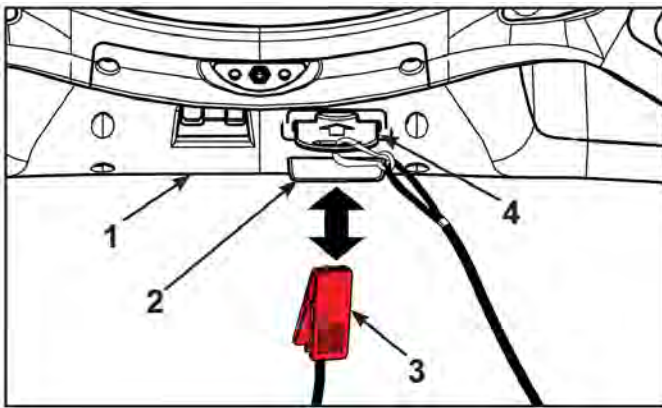


3. Replace the e-stop key.
4. The treadmill is now ready to be used. Ensure the e-stop clip is secured to your clothing at all times during use.

5. After use, remove the e-stop key from the treadmill.

The e-stop key can be removed to help prevent unauthorized use. Refer to the Stopping the Treadmill section in the Operation chapter for more information about the e-stop key.

When not in use store the e-stop clip on the storage tab located on the lower cover.



Item	Description	Qty.
1	Lower cover	1
2	Storage tab	1
3	E-Stop clip	1
4	E-Stop	1

Setup

Use the following instructions to setup the unit.


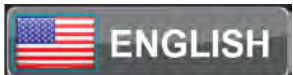
- ⚠ WARNING** Falling hazard. When starting unit
- Stand on two top steps.
 - Do not stand on belt.

Cybex recommends that the treadmill be unplugged or the on/off (I/O) power switch turned off (O) when it is not in use.








1. Without anyone on the treadmill, plug the power cord into a power outlet from a grounded, dedicated circuit.
Ensure the power cord is not being pinched under the front of the treadmill.
2. Toggle the on/off (I/O) power switch to the on (I) position. The on/off (I/O) power switch is located under the front end of the unit, or on the front right side panel.
3. The control panel will light up.

Initial setup



Initial setup only occurs during the installation of the unit. Once complete, refer to Setup Options below.

	CYBEX LOGO	Press and hold Cybex logo for 6 seconds to access Screen Lock and Toolbox .
	LANGUAGE ICON	Press and hold language logo for 6 seconds to access Screen Lock and Toolbox .

1. Tap the **Access Toolbox** icon to display the **Access to Toolbox** login screen.


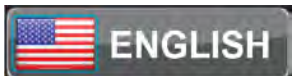
2. Enter the sequence:     .
3. Tap the **Setup** icon to display the **Setup menu**.
4. Tap the **Time** icon to advance to the **Set the Time** screen.
5. Adjust the time if needed, then tap the **ENTER** icon .
6. Tap the **Date** icon to advance to the **Set the Date** screen.
7. Adjust the date if needed, then tap the **ENTER** icon .
8. Tap the **Units & Power** icon to select the **Set units preference** screen.
9. Select the unit preferences from the following options:
Record your actual line voltage here. Line frequency is usually specific to your country or location.


Distance Units	Weight Units	Line Frequency	Line Voltage
Miles	Lbs.	50 Hz	110v
Km	Kg	60 Hz	115v
	Stone		208v
			220v
			230v

10. Exit Set Up Mode by tapping the **Toolbox**  icon, then tap the **Home** icon . The screen will refresh.

Setup options - LED, E3 View Monitor

Enter setup options.

	CYBEX LOGO	Press and hold Cybex logo for 6 seconds to access Screen Lock and Toolbox .
	LANGUAGE ICON	Press and hold language logo for 6 seconds to access Screen Lock and Toolbox .



1. Tap the **Access Toolbox** icon to display the **Access to Toolbox** login screen.
2. Enter the sequence:     .
3. Tap the **Setup** icon to display the **Setup menu**.

Setup menu

Time	Select Time Display option to On or Off . Add or subtract an hour. Select time display as AM , PM , or 24 Hour display. Enter time using keypad, press Enter to save.
-------------	---

Date	Select date style [MM] [DD] [YYYY], [DD] [MM] [YYYY], or [YYYY] [MM] [DD]. Y - Year, M - Month and D - Day. Enter date using keypad, press Enter to save.
Units and Power	Select distance units. Miles or Km (Kilometers). Select weight units. Lbs. (Pounds), Kg. (Kilograms) or Stone (Stones). Line frequency 50 or 60 Hz. Line voltage - displayed.
TV Input (LED consoles)	Select Device Installed . Choices are: No TV , Wireless TV , or C.A.B. (Console Adapter Box for Broadcast Vision) or Connected TV . Contact qualified service technician for audio visual setup.
TV Source (E3 View Monitor)	Select Device Installed . Choices are: Tuner , STB + Tuner , or STB + HDMI . Contact qualified service technician for audio visual setup.
FM Radio Presets (not shown for E3 View Monitor)	Active when A/V Device is set to Wireless TV . Contact qualified service technician for audio visual setup.
Workout times	Set Default and Max workout times. Default choices are 20, 30, or 60 minutes. Max choices are 20, 30, 60, or OFF.
Limits	Set Min Speed, Max Speed, and Max Incline.
Pause	Set Pause time. Choices are OFF, 1:00, 5:00, or 10:00 minutes.
Sound	Select console beeper settings. Console Beeper - On or Off. Headphone Beeper - Off , Some , or All . Default Volume - 1 to 30, default is 10.
Language	Select default language to display on CardioTouch screen. Toolbox is only available in English. Include Optional Languages. Select optional languages to display on CardioTouch screen. Choices are Include or Off .
Restore Factory Defaults	Restores all setup variables back to factory defaults. Does not affect Time or Date.

Exit Set Up Mode

Exit Set Up Mode by tapping the **Toolbox**  icon, then tap the **Home** icon . The screen will refresh.

Audio Visual Configuration

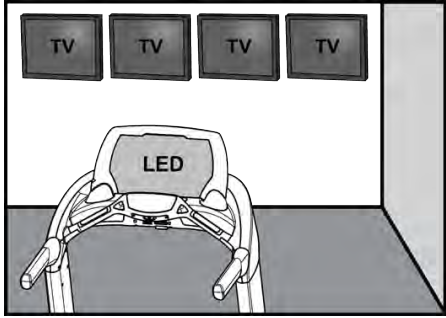
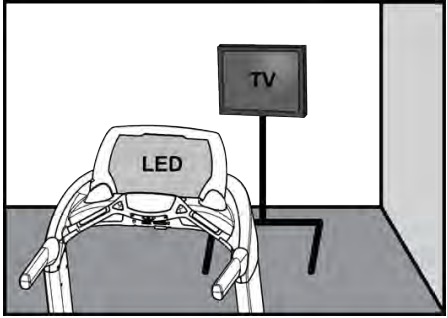
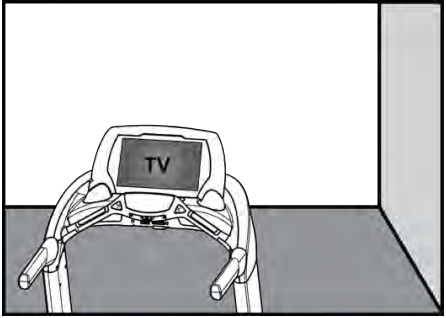
Audio Visual is available in three configurations: Shared TV's, Personal TV on a stand, or TV embedded in product.

Perform the following procedures to complete the audio visual setup.

- Assemble product.
- Determine audio visual configuration.
- Configure product for one of the three configurations.
- Install and setup audio visual components.

Determine Audio Visual Configuration

Determine which audio visual configuration you have.

Shared TV setup	Personal TV setup	Embedded TV setup
		
<p>Shared TV's on wall or hanging from ceiling. Audio is sent to product via wireless transmitter.</p>	<p>Personal TV on a stand. TV is controlled with a C.A.B. (Console Adapter Box) or C-tv (Connected TV) connect to the product.</p>	<p>TV embedded in product. The product uses the E3 View Monitor.</p>
<p>See Shared TV Setup</p>	<p>See Personal TV Setup</p>	<p>See Embedded TV Setup</p>



A/V setup mode









Falling hazard. When starting unit

- Stand on two top steps.
- Do not stand on belt.

1. Plug the power cord into a power outlet from a grounded, dedicated circuit as described under Electrical Requirements in this chapter. Do not stand on treadmill during this procedure.
2. Ensure the power cord is not being pinched under the front of the treadmill.
3. Toggle the power switch on (I). Power switch is located under the front end of the treadmill. The control panel will light up and be in the Dormant Mode.

	<p>CYBEX LOGO</p>	<p>Press and hold Cybex logo for 6 seconds to access Screen Lock and Toolbox.</p>
	<p>LANGUAGE ICON</p>	<p>Press and hold language logo for 6 seconds to access Screen Lock and Toolbox.</p>

4. Tap the **Access Toolbox** icon to display the **Access to Toolbox** login screen.
5. Enter the sequence:     .
6. Tap **Setup** at the main **Toolbox** screen.
7. Tap the **Shift Right**  icon to navigate to the **TV Source** icon.
8. Tap **TV Source**.


9. Tap **Device Installed** to select A/V type.

LED console

No TV	No TV available
Attached TV	No further setup is required
Wireless TV	See Shared TV Setup
C.A.B. or Connected TV	See Personal TV Setup

E3 View Monitor

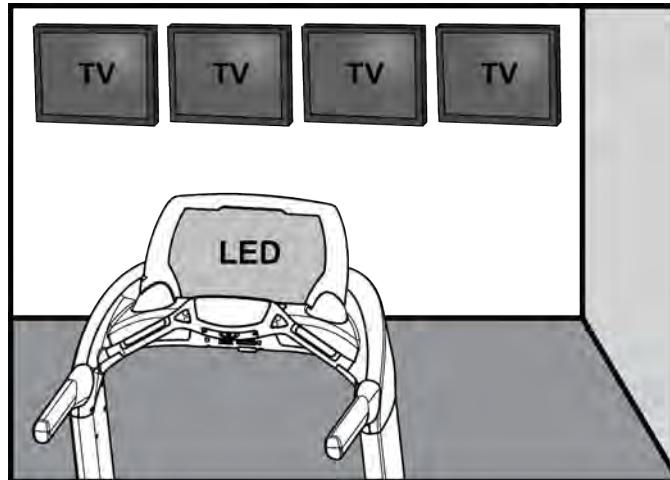
Tuner (coax connection)	See Embedded TV Setup
STB + Tuner (Set Top Box and coax cable connection)	See Embedded TV Setup
STB + HDMI (Set Top Box and HDMI cable connection)	See Embedded TV Setup

10. Tap the **Toolbox**  icon to return to the **Toolbox** screen.

11. Plug in headphones to listen for channels during setup.

Shared TV Setup

The shared TV configuration uses a Wireless Audio Receiver Module to receive audio. TV's are mounted on a wall or hung from a ceiling.



Tools Required:

Headphones (not included)

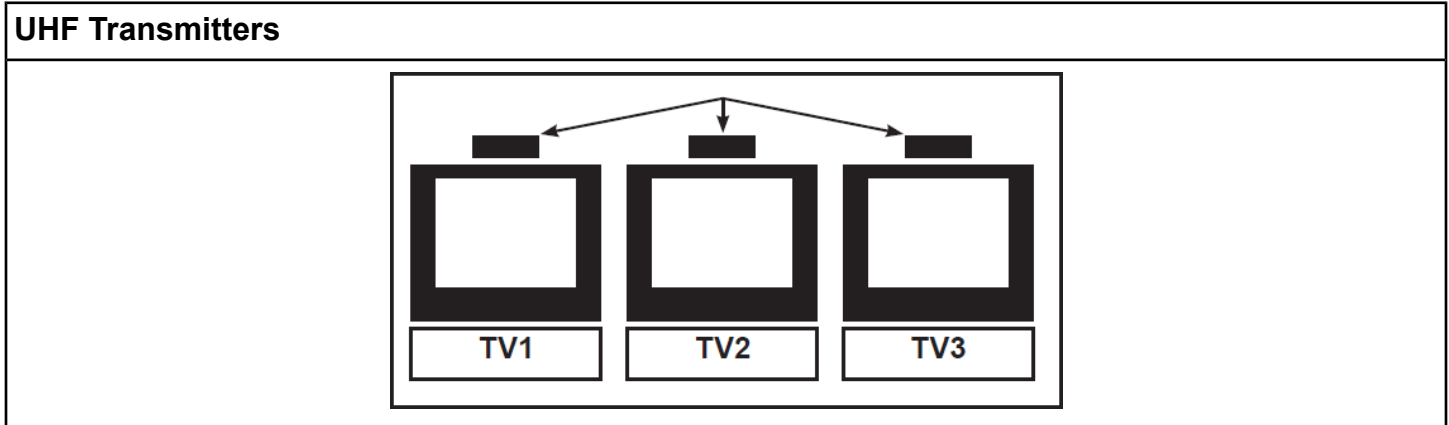
Setting up the Cybex Wireless Audio Receiver Module requires three steps:

1. Determine the type of transmitter used (MYE 900MHz, Broadcast Vision 863MHz, etc.)

2. Set **A/V Device** to Wireless TV.
3. Assign a TV channel number to each transmitter on the console.

Determine transmitter type

UHF transmitters have TV's identified by number. Example TV1.



Determine which transmitter is used in your facility.

900 MHz System	863 MHz System	806 MHz System
M 900 MYE	M 863 MYE	J1 806 Japan 14 channels
C 900 Cardio Theater	E 863 Enercise	J2 806 Japan 30 channels
E 900 Enercise	A 863 Audeon	
B 900 Broadcast Vision		


Setup UHF Transmitters

For transmitter types 900 MHz, 863 MHz or 806 MHz. Use this procedure to associate channel numbers to your TV transmitters.

Pick transmitter type

For transmitter types 900 MHz, 863 MHz or 806 MHz. Use this procedure to associate channel numbers to your TV transmitters.

Pick transmitter type

1. Tap **Setup** at the main **Toolbox** screen.
2. Tap the **Shift Right**  icon to navigate to the **A/V Config** icon.
3. Tap **A/V Config** to enter **TV Configuration**.







4. Tap **Select Xmtr** to select your transmitter type from the available choices. The display will only show choices available under your transmitter type (900 MHz, 863 MHz or 806 MHz).

900 MHz System	863 MHz System	806 MHz System
"M 900" MYE	"M 863" MYE	"J1 806" Japan 14 channels
"C 900" Cardio Theater	"E 863" Exercise	"J2 806" Japan 30 channels
"E 900" Exercise	"A 863" Audeon	
"B 900" Broadcast Vision		

5. Tap **Scan** to scan for available channels. The scan can take up to 10 seconds and then display **TV-1 of #**. The "#" symbol is total number of strong UHF channels found. Some of these channels may not be signals from the TV transmitters and need to be deleted.





Review channels





1. Tap **Up**  or **Down**  to listen to available channels with the headphones.
2. Delete unwanted channels by pressing **Delete** to delete channel. Repeat process for additional unwanted channels.
3. Adjust the Near/Far setting for channels that are available but not showing.
 - a) Press **Far** to change the setting from FAR to NEAR.
 - b) Press **Scan** to re-scan for available channels.
4. Tap **Up**  or **Down**  to scroll through and verify all TV channels. If all TV transmitters are stored, and they all correlate the TV number to the correct TV heard, setup is complete. If not you may need to re-scan or adjust the transmitter codes (see documentation for your transmitters to perform a code change.)
5. Exit Set Up Mode by tapping the **Toolbox**  icon, then tap the **Home** icon . The screen will refresh. Transmitter setup complete.

Adjust sound volumes

After completing the channel setup, it may be necessary to adjust the volume level of each TV so they all have similar volume levels.

1. Plug headphones into headphone jack.
2. Press the **TV** icon.
3. Tap **Up**  or **Down**  to select a TV station.
4. Adjust the volume of each TV to match each other using the TV's remote control. The goal is for a volume setting of 10 on the unit to be the same for all TV's.
5. Repeat procedure for all TV's.

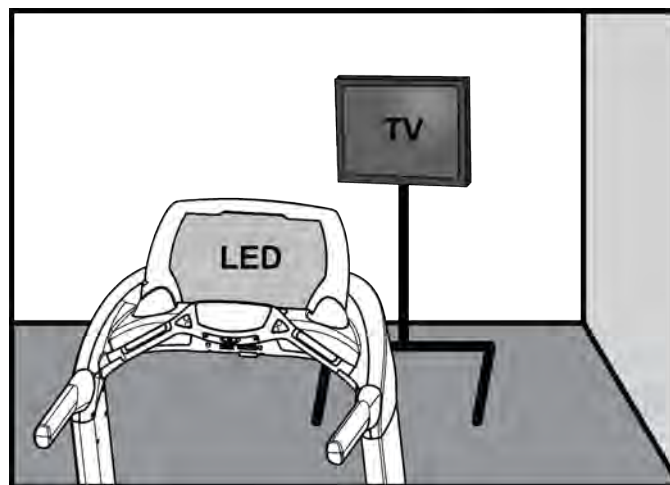
Using the Cybex Wireless Audio Receiver

1. Plug headphones into headphone jack.
2. Tap the TV icon to listen to TV channels.
3. Tap **Up**  or **Down**  to change TV channels.
4. Tap volume **Up**  or **Down**  to adjust volume.

Setup Complete

Personal TV Setup

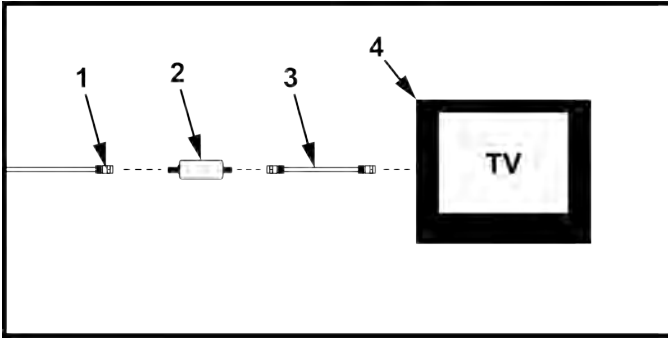
The personal TV configuration uses a TV on a stand in front of the equipment.



Install coax cable filter (Treadmill only)

1. Turn the Broadcast Vision television off.

2. Unscrew the coax cable from the Broadcast Vision television.

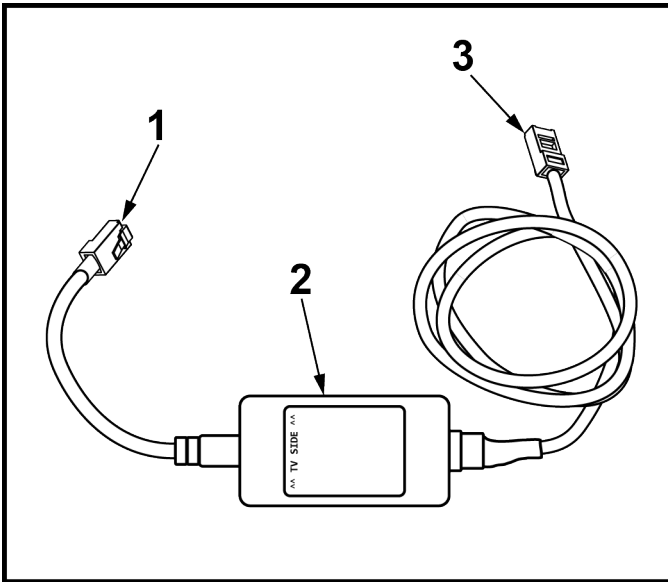


Item	Description	Qty.
1	Coax cable, from cable provider	1
2	Coax cable filter	1
3	Coax cable, 6"	1
4	Broadcast Vision television	1

3. Install the coax cable filter to the coax cable from cable provider.
4. Install the 6" coax cable to the coax cable filter.
5. Install the 6" coax cable to the Broadcast Vision television.
6. Turn the Broadcast Vision television on.

Connect Broadcast Vision to Cybox product

1. Plug the short cable (TV side) of the C.A.B. (Console Adapter Box) or C-tv (Connected TV) into the Broadcast Vision TV.










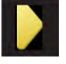

Item	Description	Qty.
1	Short cable, TV side	1
2	C.A.B. Console Adapter Box or C-tv (Connected TV)	1
3	Long cable, Cybox product side	1

2. Plug the long cable of the C.A.B. (Console Adapter Box) or C-tv (Connected TV) into the coupler at the base of the Cybox product.

C.A.B. (Console Adapter Box) or Connected TV setup option

1. Access setup screen.

	CYBEX LOGO	Press and hold Cybex logo for 6 seconds to access Screen Lock and Toolbox .
	LANGUAGE ICON	Press and hold language logo for 6 seconds to access Screen Lock and Toolbox .

2. Tap the **Access Toolbox** icon to display the **Access to Toolbox** login screen.
3. Enter the sequence:     .
4. Tap **Setup** at the main **Toolbox** screen.
5. Tap the **Shift Right**  icon to navigate to the **TV Source** icon.
6. Tap **Device Installed** to select A/V type.
7. Select **C.A.B. (Console Adapter Box)** or **Connected TV** from the A/V options.
8. Tap the **Toolbox**  icon to return to the **Toolbox** screen.

Adjust volume

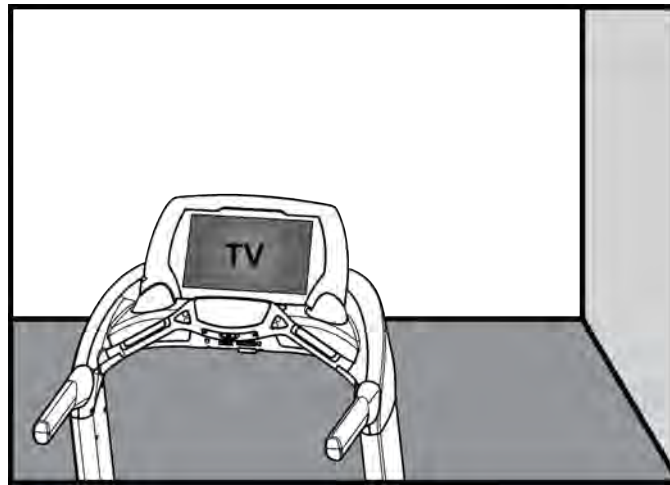
1. Plug headphones into headphone jack.
2. Listen to the TV audio. At the default volume level of 10 on the unit, the TV volume should be 'normal'.
3. If the TV is too loud or too quiet, adjust the TV volume using the Broadcast Vision Remote Control or controls on the TV until it is acceptable.
4. Adjust the volume on the unit using the Volume Up/Down buttons to ensure a normal range for use.

Once the TV volume is set, apply this TV volume level to all TV's.

Setup Complete

Embedded TV Setup

The embedded TV configuration uses the E3 View Monitor in the console of the product.



Determine TV's signal source

For traditional RF Cable Signal over Coax, or a distributed/modulated club setup over Coax, connect the coax at the base of the unit. Skip to [E3 View Monitor Setup](#).

For installations using a Set Top Box (Cable Box, Satellite Box or IPTV Box) for each unit, determine the output from the Set Top Box. Follow Set Top Box Setup procedure.

- **Coax** - Connect the included coax jumper at the base of the unit. Set the **Device Installed** to **STB+Tuner**.
- **HDMI** - The facility needs to supply the connection cable between the Set Top Box and the HDMI coupler at the base of the unit. Set the **Device Installed** to **STB+HDMI**.

STB (Set Top Box) Setup

Set Top Box Variables

Determine which configuration you have.

Connection options	Ethernet, HDMI, or Coax
Transmitter type	MYE CableSAT, or Broadcast Vision Entertainment
Set Top Box location	Near or Far

Connection options

Ethernet	HDMI	Coax
		

Ethernet	HDMI	Coax
<p>NEAR: If using BV CAB or Connected TV, the infrared transmitter plugs in to this connection at the base of the unit and adheres to the front of the STB.</p> <p>FAR: If using BV CAB or Connected TV, connect the facility ethernet from here to run to the A/V closet. In the A/V closet, use a coupler to attach the Infrared Transmitter cable and adhere it to the front of this unit's STB.</p>	<p>If the STB is NEAR, one option is to run the output of the STB to the unit using HDMI cables. The signal is routed up to the embedded TV. Setting the console to STB+HDMI allows the TV to show the content from the HDMI source.</p>	<p>The output of the STB can be run to the unit using Coax for NEAR or FAR installations. This connects at the base of the unit and sends the signal to the embedded TV. Setting the console to STB+Tuner, and then scanning for channels to find the one channel the cable box is on, allows the TV to show the cable box output.</p>

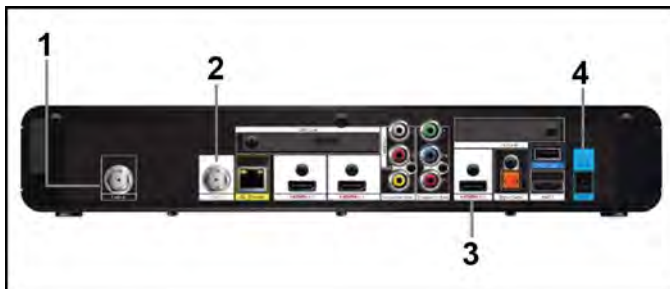
Infrared Cabling

Both MYE and BV use a stick-on IR transmitter. This transmitter is adhered to the front of the set top box, directly in line with the Remote Control IR Receiver. If this is not marked, some experimentation may be necessary to find out where this works best before adhering it. Link to [X1 Boxes and IR Locations](#).



Typical Cable or Set Top Box Connections

- Input to STB** The STB can use a distributed RF signal over coax (Cable), or distributed Internet Protocol over Ethernet (IPTV.) The source is up to the facility and the system installed.
- COAX to equipment TV** This uses the tuner of the equipment's TV, set to channel 3 or 4. For EPEM consoles, this setting is **STB+Tuner**. After installing, scan for channels using the equipment UI or the TV's remote control. It will find the single channel of the Set Top Box.
- HDMI to equipment TV** This uses the HDMI input of the equipment's TV, so the TV will be set to HDMI automatically when configured for **STB+HDMI**. No scanning required.




1	Cable in
2	Coax to equipment TV (STB + Tuner)
3	HDMI to equipment TV (STB + HDMI)
4	Power, connect last.

Install STB components based on configuration

Configuration options are:

- MYE CableSAT
- BV CAB or Connected TV STB
- BV CAB for Broadcast Vision or Connected TV, TV-on-a-stand

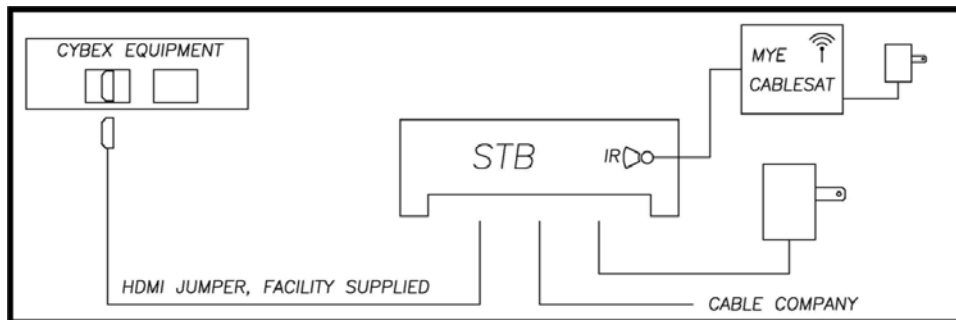
 **NOTE:** Configure and setup one product, to test the system, before completing others.

MYE CableSAT

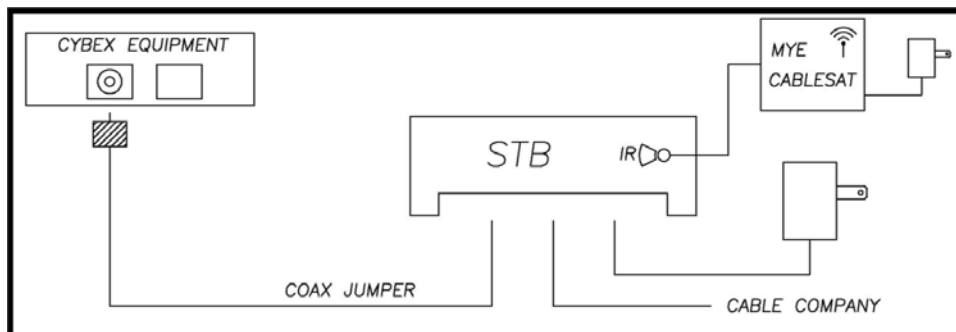
This system uses a wireless transmitter inside the console of the fitness equipment, which sends channel commands to a receiver mounted near the Set Top Box. The STB can be up to 1000' away pending interferences. The transmitter module inside the console is powered by the console. The receiver module has a small wall-bug power supply and an infrared transmitter for adhering to the front of the STB.



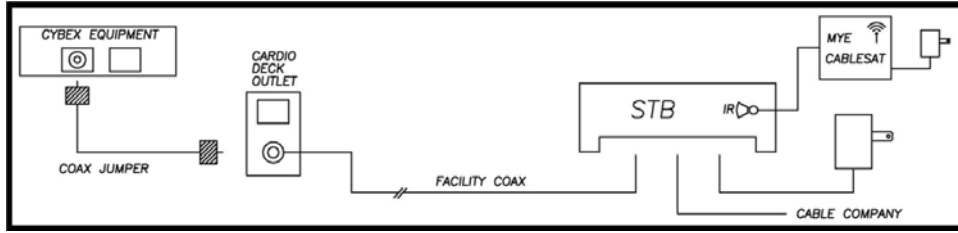
MYE HDMI with STB NEAR to equipment



MYE Coax with STB NEAR to equipment



MYE Coax with STB FAR from equipment (up to 1000' range if unobstructed)

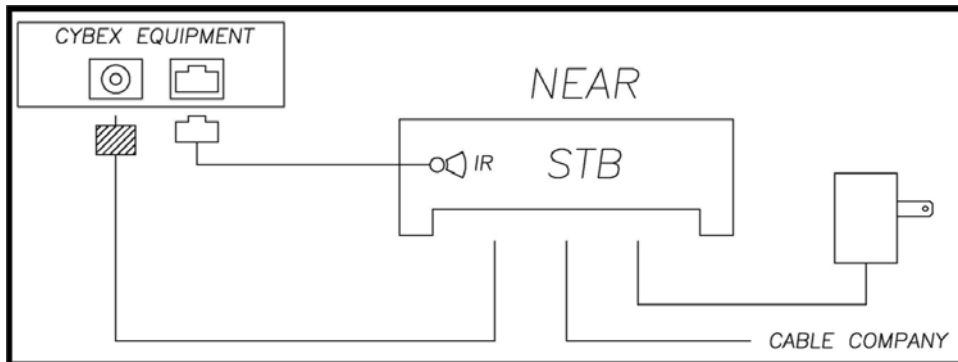


BV CAB or Connected TV STB

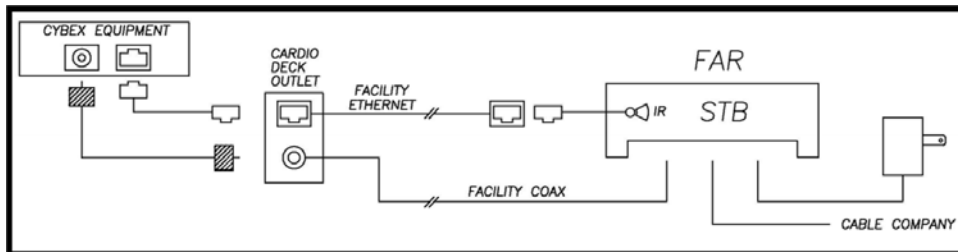
This system uses a transmitter mounted inside the console and a 14" lead that plugs in the Gray MYE port of the MCC. It uses our internal Cat5 cable to connect out to an infrared transmitter which plugs in to the ethernet port at the base of our equipment. This allows for a NEAR STB, where the box is located near the equipment, or FAR, where the STB is stored in an A/V closet. If FAR, the facility must run ethernet from our equipment to the A/V closet and connect the Infrared transmitter from there to the STB.



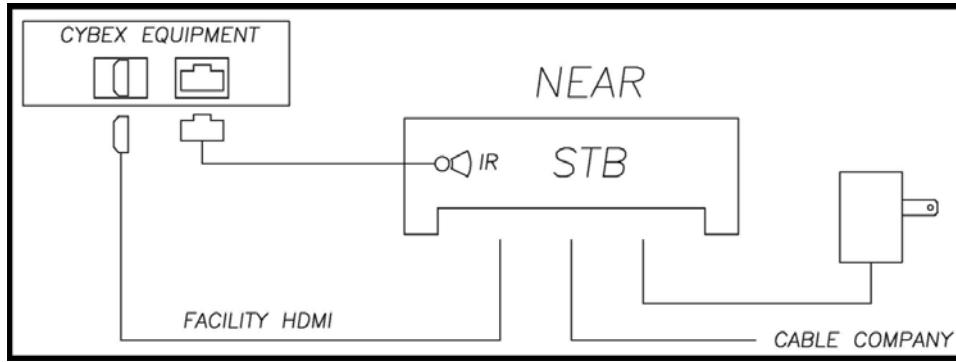
BVE CAB or Connected TV Coax with STB NEAR Equipment



BVE CAB or Connected TV Coax with STB FAR from equipment

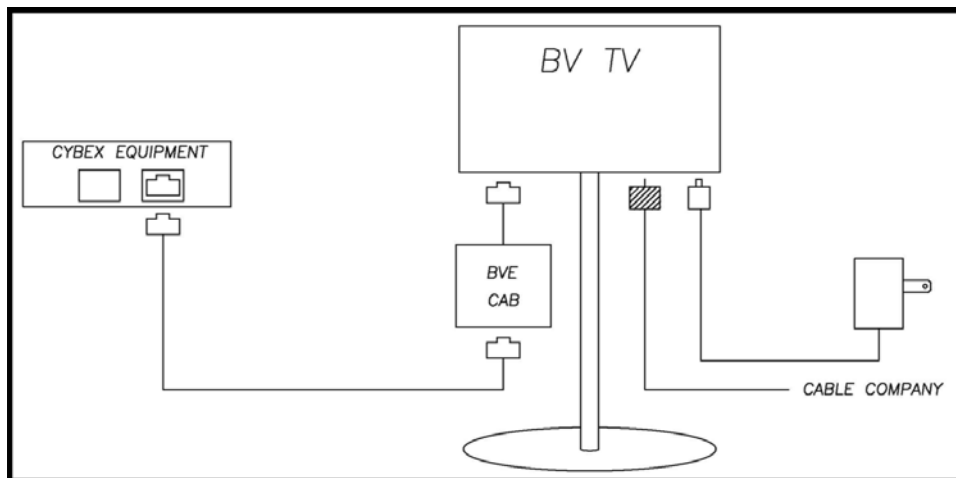


BVE CAB or Connected TV HDMI with STB NEAR equipment




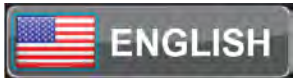
BV C.A.B. for Broadcast Vision or C-tv (Connected TV), TV-on-a-stand

This system uses a Console Adapter Box attached to the Broadcast Vision TV-on-a-stand. Ethernet cable runs from the TV to the ethernet port at the base of the equipment. Console channel commands are sent through the ethernet connection to the adapter box and on to the TV itself. No STB is accommodated in this setup.










STB (Set Top Box) Setup Option

1. Access setup screen.

	<p>CYBEX LOGO</p>	<p>Press and hold Cybox logo for 6 seconds to access Screen Lock and Toolbox.</p>
	<p>LANGUAGE ICON</p>	<p>Press and hold language logo for 6 seconds to access Screen Lock and Toolbox.</p>

2. Tap the **Access Toolbox** icon to display the **Access to Toolbox** login screen.

3. Enter the sequence:     .
4. Tap **Setup** at the main **Toolbox** screen.
5. Tap the **Shift Right**  icon to navigate to the **TV Source** icon.
6. Tap **TV Source**.
7. Select **Tuner**, **STB + Tuner**, or **STB + HDMI** from the A/V options. If **STB + HDMI** was selected, skip tuning steps.
8. Tap the **Toolbox**  icon to return to the **Toolbox** screen.
9. Press the **STOP** key to exit Setup options.

MYE CableSAT Commander Receiver Programming

The MYE CableSAT Receiver (at the Set Top Box) will need to be configured to work with your facilities' Set Top Box. The default setting works with most AT&T boxes. To change the setting, perform the following procedure.

1. Start with MYE CableSAT Command Receiver power disconnected.
2. Using a pen or paperclip, press **PGM** switch and hold it pressed.
3. Connect power to MYE CableSAT Command Receiver.
4. Continue to hold **PGM** switch until **power** and **learn** LED's are lit solid (the first two LED's) then release.
5. Press the **PGM** button until LED's light up in the pattern that corresponds with your Set Top Box:

LED name	Auto Learn Mode	Learned Preset	AT&T, Uverse	Com-cast	Direct TV	Verizon, Charter (Arris)	Time Warner, COX, WOW	DISH	COX Mini Box
power	<input checked="" type="radio"/>	<input checked="" type="radio"/>	<input type="radio"/>	<input checked="" type="radio"/>	<input type="radio"/>	<input checked="" type="radio"/>	<input type="radio"/>	<input checked="" type="radio"/>	<input type="radio"/>
learn	<input checked="" type="radio"/>	<input type="radio"/>	<input checked="" type="radio"/>	<input checked="" type="radio"/>	<input type="radio"/>	<input type="radio"/>	<input checked="" type="radio"/>	<input checked="" type="radio"/>	<input type="radio"/>
pro-grammed	<input checked="" type="radio"/>	<input type="radio"/>	<input type="radio"/>	<input type="radio"/>	<input checked="" type="radio"/>	<input checked="" type="radio"/>	<input checked="" type="radio"/>	<input checked="" type="radio"/>	<input type="radio"/>
error	<input type="radio"/>	<input type="radio"/>	<input type="radio"/>	<input type="radio"/>	<input type="radio"/>	<input type="radio"/>	<input type="radio"/>	<input type="radio"/>	<input checked="" type="radio"/>

6. When done, press and hold the **PGM** button until the red LED lights, then release. All LED's should blink once as confirmation this configuration is now stored.


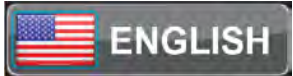
If none of the pre-configured codes above work with your Set Top Box, the MYE CableSAT Command Receiver can be programmed as a learning remote using the Infrared Remote Control provided with your STB. Perform the following procedure **MYE CableSAT Commander Receiver Auto Learn**.








MYE CableSAT Commander Receiver Auto Learn

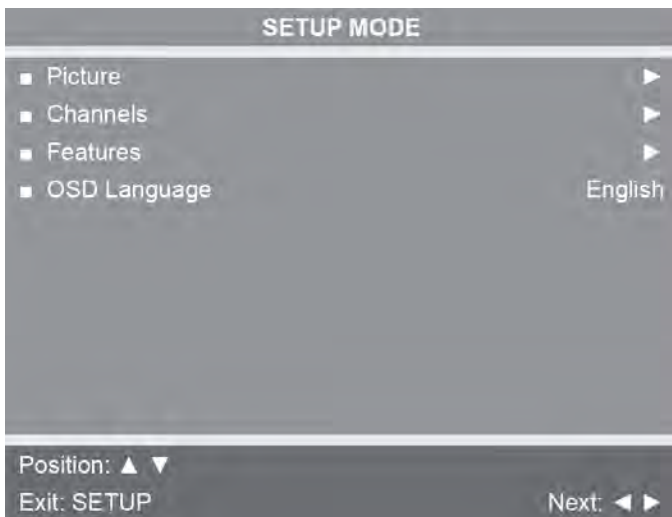
1. Start with MYE CableSAT Command Receiver power disconnected.

2. Using a pen or paperclip, press **PGM** switch and hold it pressed.
3. Connect power to MYE CableSAT Command Receiver.
4. Continue to hold **PGM** switch until **power** and **learn** LED's are lit solid (the first two LED's) then release.
5. Point remote control at red IR window on the side of the MYE CableSAT Command Receiver and press **Channel Up** key on remote control. The **learn** LED will flicker and the **programmed** LED will briefly light solid once command has been learned. Wait for **learn** LED to be solid.
6. Press **Channel Down** key on remote control. The **learn** LED will flicker and **programmed** LED will briefly light solid once the command has been learned. All LED's should blink once as confirmation.

**E3 View Monitor Setup
Access Setup Screen**

	CYBEX LOGO	Press and hold Cybex logo for 6 seconds to access Screen Lock and Toolbox .
	LANGUAGE ICON	Press and hold language logo for 6 seconds to access Screen Lock and Toolbox .

1. Tap the **Access Toolbox** icon to display the **Access to Toolbox** login screen.
2. Enter the sequence:     .
3. Tap the **Setup** icon to display the **Setup menu**.
4. Tap the **Shift Right**  icon to navigate to the **EPEM Setup** icon.
5. Tap the **EPEM Setup** icon.
6. Tap the **Setup**  icon to advance to the **SETUP MODE** screen. Follow procedure to setup the E3 View Monitor.














Picture
Channels
Features
OSD Language

E3 View Monitor Controls

The CardioTouch screen is used to perform all setup operations for the E3 View Monitor.



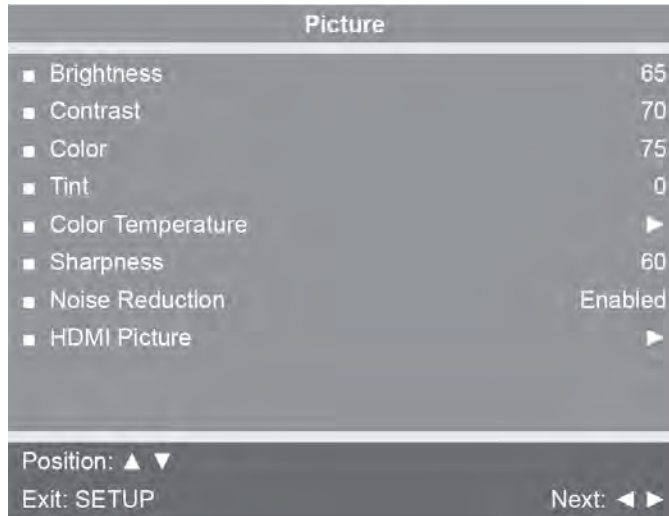
CardioTouch screen functions

	Wrench Icon	Return to Toolbox home
	Up	Go to Setup home screen
	Next	Moves forward in Setup menu to next screen
	Default Display Mode	Select TV + Data, TV Only or Data Only
	On/Off	Turn the E3 View Monitor on or off
	Reset Defaults	Reset the setup values and clear all programmed channels.
	CH List	List all available channels
	Setup	Toggles the setup menu
	Navigate up	Navigate up through the on-screen menu
	Navigate down	Navigate down through the on-screen menu
	Navigate left	Decrease value


	Navigate right	Increase value
---	-----------------------	----------------

Picture

1. Tap ▲ or ▼ to select **Picture**.
2. Tap ► to access access **Picture** menu.



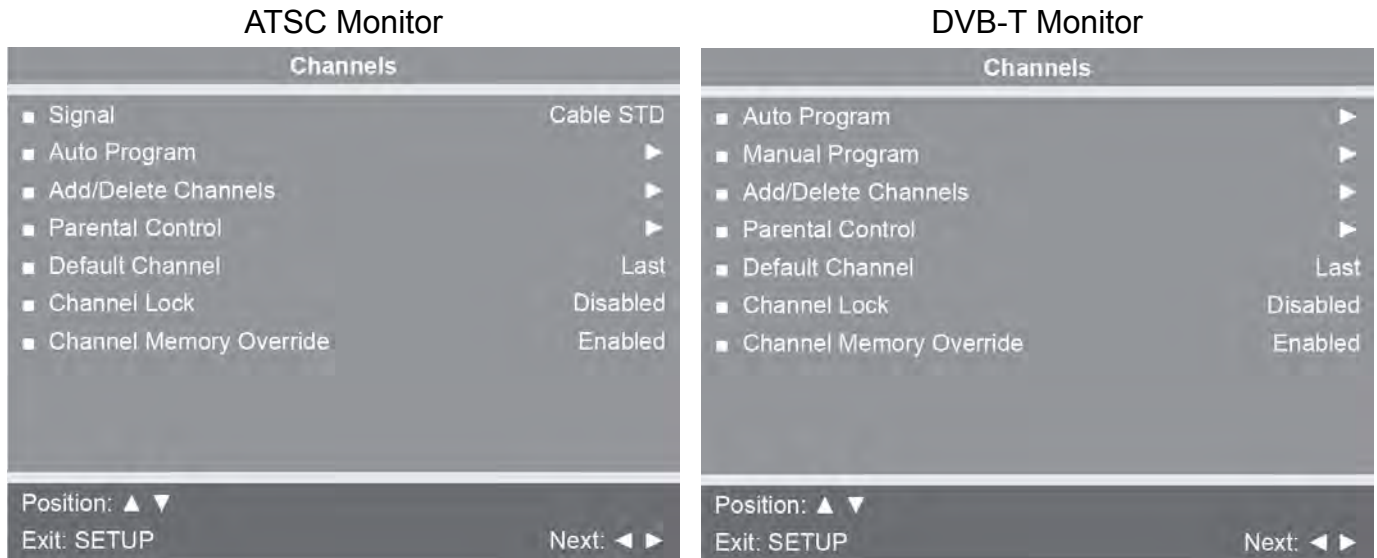
Brightness	Adjust range from 1 to 100. Default is 65.
Contrast	Adjust range from 1 to 100. Default is 70.
Color	Adjust range from 1 to 100. Default is 75.
Tint	Adjust range from 1 to 100. Range is R50 to G50. Default is 0.
Color Temperature	Adjust color balance of Red, Green and Blue temperatures.
Sharpness	Adjust range from 1 to 100. Default is 60.
Noise Reduction	Select Enabled (Default) or Disabled.
HDMI Picture	Set to Auto or Adjust settings as needed. Available only when HDMI signal is present.

3. Tap ▲ or ▼ to select settings.
4. Tap ◀ or ▶ to adjust settings.
5. Tap the **Setup**  icon to advance to the **SETUP MODE** screen.

Channels

1. Tap ▲ or ▼ to select **Channels**.

2. Tap ► to access **Channels** menu.



Feature	Settings
Signal (ATSC only)	Select Air, Cable STD, Cable IRC, or Cable HRC.
Auto Program	<i>See Below</i>
Manual Program (DVB-T only)	<i>See Below</i>
Add/Delete Channels	<i>See Below</i>
Parental Control	Block channels based on TV ratings.
Default Channel	Select channel to display on power up. Select from available channels or last.
Channel Lock	Select Enabled or Disabled . If enabled only one channel is shown, user cannot change channels.
Channel Memory Override	Select Enabled or Disabled . If enabled allows user to select any available channel.

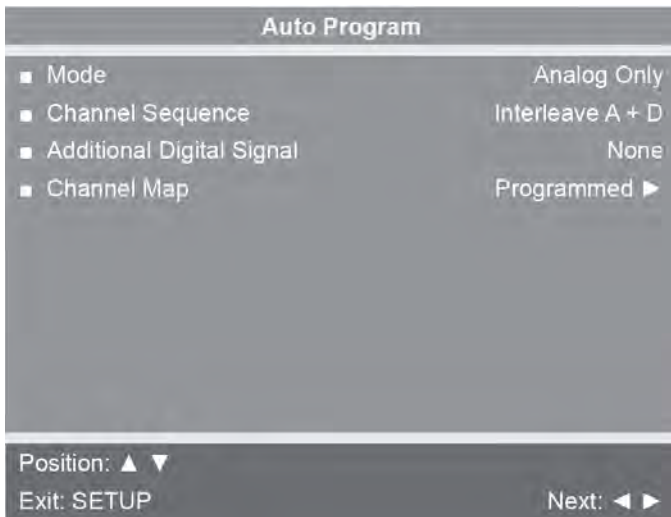
3. Tap ▲ or ▼ to select settings.
4. Tap ◀ or ▶ to adjust settings.

Auto Program (ATSC Monitor)

1. Tap ▼ to select **Auto Program**.
2. Tap ► to enter the menu.

3. Tap ▲ or ▼ to select **Mode**.

ATSC Monitor



Mode
Channel Sequence
Additional Digital Signal
Channel Map

4. Tap ◀ or ▶ to set the scope of channel scanning.

Option	Description
Analog Only (Default)	TV searches for analog channels only
Digital Only	TV searches for digital channels only
Analog and Digital	TV searches for both analog and digital channels

5. Tap ▼ to select **Channel Sequence**.

6. Tap ◀ or ▶ to set the Channel Sequence in which the channels are displayed after searching.

Option	Description
Interleave A+D	In the order of channel number regardless of the system.
All A then D	Digital channels are displayed after all analog channels.

7. Tap ▲ or ▼ to select **Additional Digital Signal**. Not available when **Mode** is set to Analog Only.

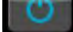
8. Tap ◀ or ▶ to choose the **Additional Digital Signal** source.




- None
- Air
- Cable STD
- Cable IRC
- Cable HRC

9. Tap ▼ to select **Channel Map**.

10. Tap ▶ to start auto programming. A confirmation menu will appear before proceeding.

11. Tap ▲(Yes) to start auto programming. Tap ▼(No) button to cancel the operation. The TV will now search all available channels with an on-screen progress percentage displayed. Any tuning Mode that includes Digital channels will require several minutes to complete auto programming.

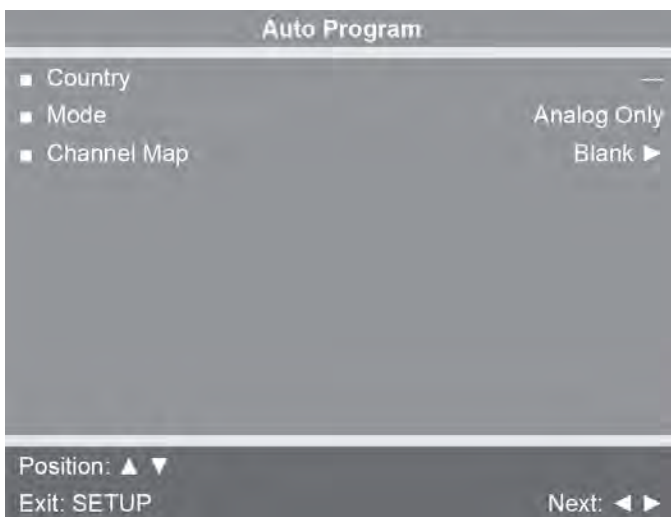
This may take 20 or more minutes. If screen shuts off, tap the  icon to turn monitor on.

12. Tap the **Setup**  icon to return to normal TV viewing once auto programming is complete.
13. Tap the **CH List**  icon to list programmed channels.
14. Tap the **Setup**  icon to return to **SETUP MODE** menu.

Auto Program (DVB-T Monitor)

1. Tap ▼ to select **Auto Program**.
2. Tap ► to enter the menu.
3. Tap ▲ or ▼ to select **Country**.

DVB-T Monitor



Country
Mode
Channel Map

Available countries are:

Albania, Austria, Australia, Belgium, Bosnia, Bulgaria, China, Croatia, Czech, Denmark, Estonia, Finland, France, Germany, Greece, Hungary, Ireland, Italy, Kazakhstan, Latvia, Lithuania, Luxembourg, Morocco, Netherlands, Norway, Poland, Portugal, Romania, Russia, Serbia, Slovakia, Slovenia, Spain, Sweden, Switzerland, Turkey, UK, and Ukraine.

4. Tap ▲ or ▼ to select **Mode**.


5. Tap ◀ or ▶ to set the scope of channel scanning.

Option	Description
Analog Only (Default)	TV searches for analog channels only
Digital Only	TV searches for digital channels only
Analog and Digital	TV searches for both analog and digital channels


6. Tap ▼ to select **Channel Map**.


7. Tap ▶ to start auto programming. A confirmation menu will appear before proceeding.

8. Tap ▲(Yes) to start auto programming. Tap ▼(No) button to cancel the operation. The TV will now search all available channels with an on-screen progress percentage displayed. Any tuning Mode that includes Digital channels will require several minutes to complete auto programming.

This may take 20 or more minutes. If screen shuts off, tap the  icon to turn monitor on.

9. Tap the **Setup**  icon to return to normal TV viewing once auto programming is complete.

10. Tap the **CH List**  icon to list programmed channels.

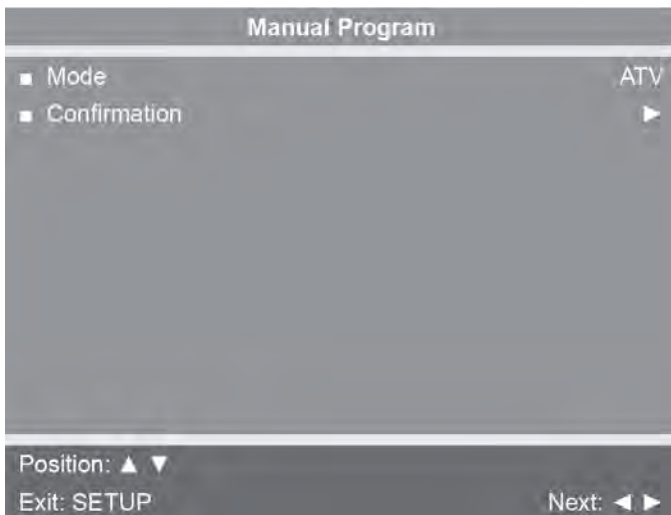
11. Tap the **Setup**  icon to return to **SETUP MODE** menu.

Manual Program (ATSC and DVB-T)

1. Tap ▼ to select **Manual Program**.

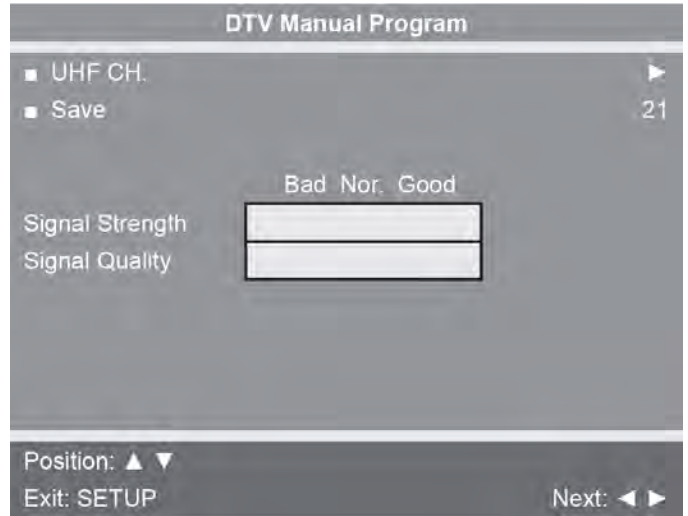
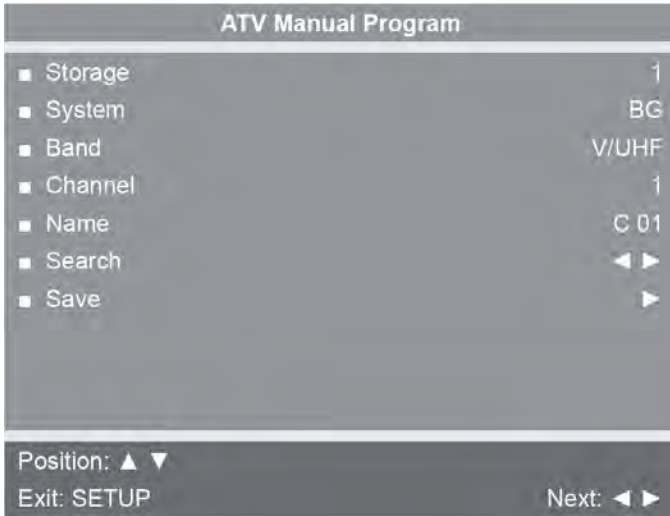
2. Tap ▶ to enter the menu.

3. Tap ▲ or ▼ to select **Mode**.



Mode
Confirmation

4. Tap ◀ or ▶ to select **ATV** or **DTV**.



ATV Mode	Adjust settings for Storage , System , Band , Channel , Name , or Search . Select Save to save settings.
DTV Mode	Select UHF channel . Select Save to save settings.

Add/Delete Channels (ATSC and DVB-T)




1. Tap ▼ to select **Add/Delete Channels**.
2. Tap ▶ to enter the **Add/Delete Channels** menu.



Analog Channel
Add/Delete Analog Channel
Enable/Disable Digital Channel

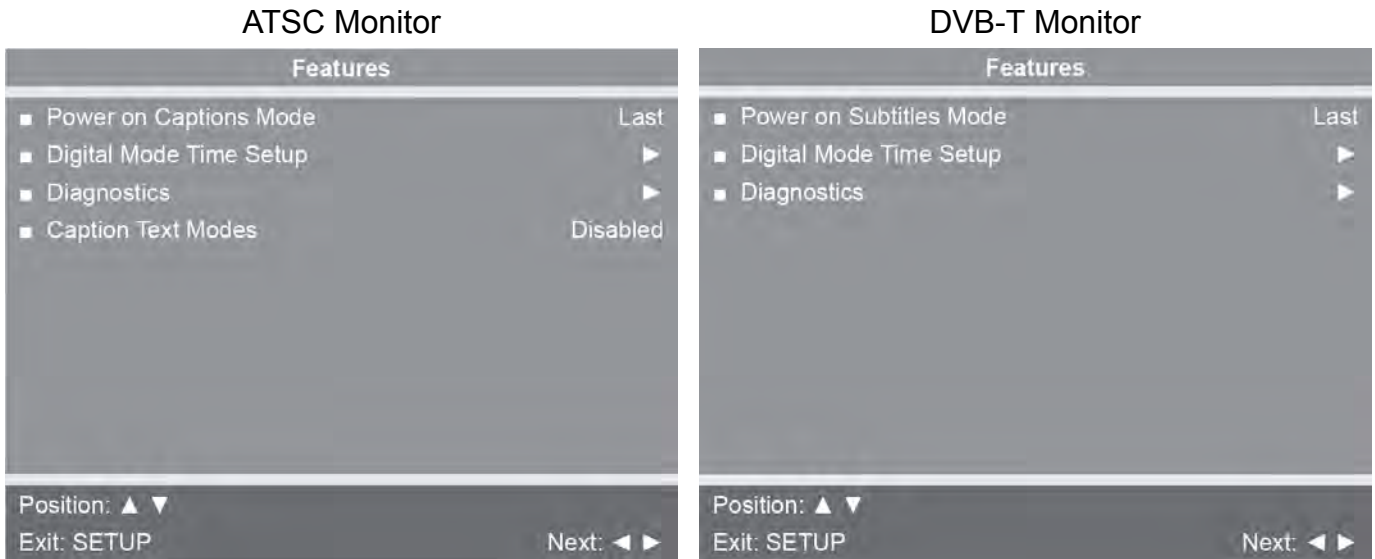
To add or delete an analog channel perform the following procedure. To enable or disable digital channels, go to step 7.

3. Tap ◀ or ▶ to select the desired analog channel.
4. Tap ▲ or ▼ to highlight **Add/Delete Analog Channel**.
5. Tap ◀ or ▶ to select **Added** or **Deleted**.

6. Tap the **Setup**  icon to return to the previous menu.
 To exit, Tap the **Setup**  icon until the programming menus disappear. If there are more analog channels to be added or deleted, repeat steps 3 through 5.
7. Tap ▲ or ▼ to highlight **Enable/Disable Digital Channel**.
8. Tap ► to access **Enable/Disable Digital Channel**. If there are not any channels programmed in the Service Level, **No Channels Present** will appear in the menu.
9. Tap ▲ or ▼ to highlight the digital channel that needs to be enabled or disabled.
10. Tap ◀ or ▶ to select **Enable** or **Disable**.
11. Tap the **Setup**  icon to return to the previous menu.

Features


1. Tap ▲ or ▼ to select **Features**.
2. Tap ► to access **Features** menu.



3. Tap ▲ or ▼ to select settings.

4. Tap ◀ or ▶ to adjust settings.



Feature	Settings
Power on Captions Mode (ATSC only)	Select Off or Last. Last will set caption mode to last used setting.
Power on Subtitles Mode (DVB-T only)	Select Off or Last. Last will set subtitle mode to last used setting.
Digital Mode Time Setup	Set current time automatically from digital signal. Select time zone and daylight savings time to Auto, On, or Off.
Diagnostics	Provides diagnostic information only. Settings cannot be changed.
Caption Text Modes (ATSC only)	Select Enabled or Disabled.

5. Tap the **Setup**  icon to return to **SETUP MODE** menu.

OSD Language

1. Tap ▲ or ▼ to select **OSD Language**.
2. Tap ◀ or ▶ to select language.

Option	Description
ATSC choices	English, Français or Español.
DVB-T choices	English, Français, Español, Dutch, Danish, Russian, German, and Swedish.

3. Tap the **Setup**  icon to return to **SETUP MODE** menu.
4. Exit Set Up Mode by tapping the **Toolbox**  icon, then tap the **Home** icon . The screen will refresh.

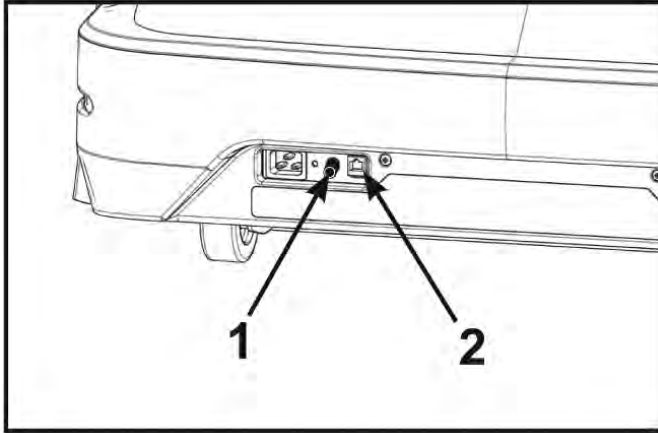
Setup Complete

Cybex GO Setup

Prerequisites:

- Coax cable with TV signal
- Netpulse Gateway installed and running, providing the connection via:
 - **Wired (Ethernet)** – Ethernet cable is connected to the Cybex equipment through a network switch to the Gateway
 - **Wireless** – Gateway has been installed in the facility using a unique wireless access point. Cybex GO Monitor will not connect to any other routers in the area.
- Power to the Cybex Equipment.

1. Install 6' coax cable to the coax cable connector in base of unit.



	Description	Qty.
1	Coax cable connector	1
2	Ethernet coupler	1

2. Install ethernet cable to ethernet coupler in base of unit.

Turn power on



Falling hazard. When starting unit

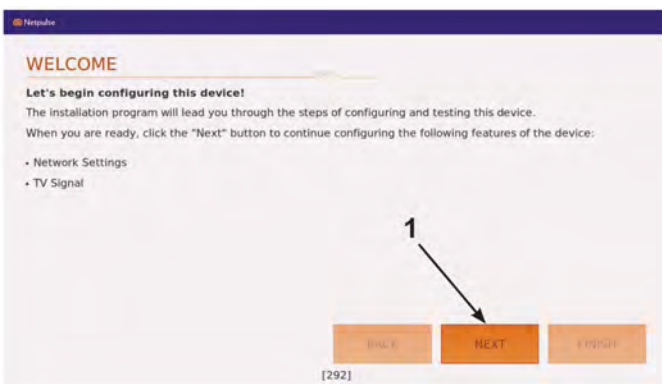
- Stand on two top steps.
- Do not stand on belt.

1. Without anyone on the treadmill, plug the power cord into a power outlet from a grounded, dedicated circuit as described under Electrical Requirements in this chapter. Ensure the power cord is not being pinched under the front of the treadmill.
2. Toggle the on/off (I/O) power switch to the on position (I). The on/off (I/O) power switch is located under the front end of the unit, or on the front right side panel.
3. The control panel will light up.

Cybox GO installer

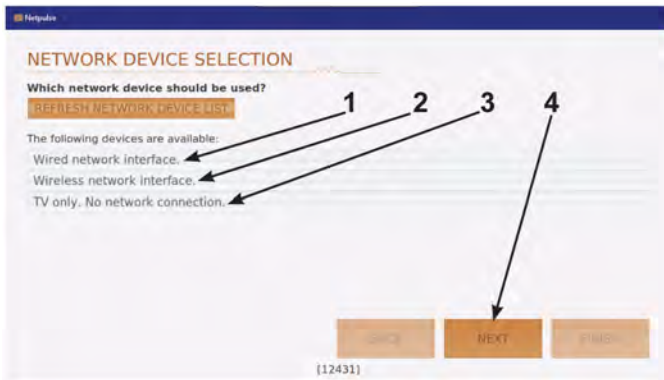
The Cybox GO installer only occurs during the initial installation of the unit. Once complete, refer to Initial setup.

1. Tap **NEXT** to begin configuration.



	Description
1	NEXT

2. Select one of the three network devices.
 - Wired network interface.
 - Wireless network interface.
 - TV only. No network connection.



	Description
1	Wired network interface
2	Wireless network interface
3	TV only. No network connection
4	NEXT

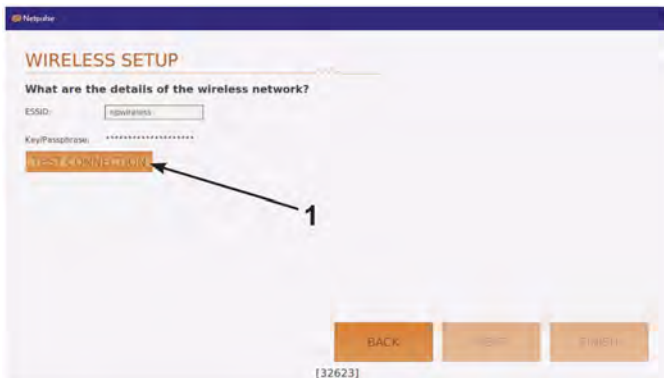
Follow the procedure for the network device selected.

Wired network interface

1. Tap **Wired network interface**.
2. Tap **NEXT** to confirm selection.
3. Go to *Test network*.

Wireless network interface

1. Tap **Wireless network interface**.
2. Tap **NEXT** to confirm selection.
3. Tap **TEST CONNECTION**.
This may take up to five minutes to complete. If test fails, retry.



	Description
1	TEST CONNECTION

4. Tap **NEXT** after test passes and displays **Connected!**.



	Description
1	Connected!
2	NEXT

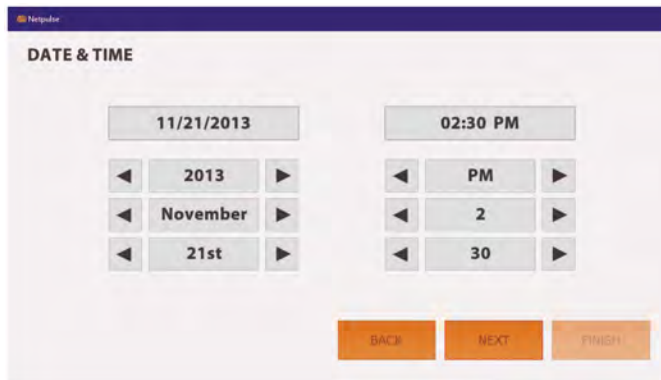
5. Tap **OK** after alert window displays **Wireless network configured!**.
6. Go to *Test network*.

TV only

1. Tap **TV only. No network connection.**
2. Select Default Country.



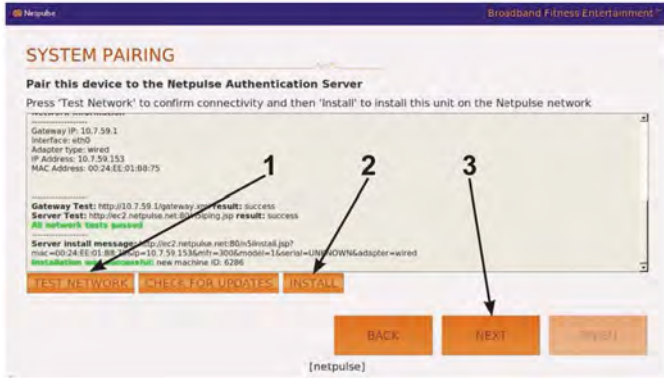
3. Tap **OK**
4. Set **Date and Time**.



5. Tap **NEXT**.
6. Go to *Channel configuration*.

Test network

1. Tap **TEST NETWORK**.



	Description
1	TEST NETWORK
2	INSTALL
3	NEXT

2. When network test passes, tap **INSTALL**.

If network test fails, check the network connections and retry.

3. Tap **NEXT**.

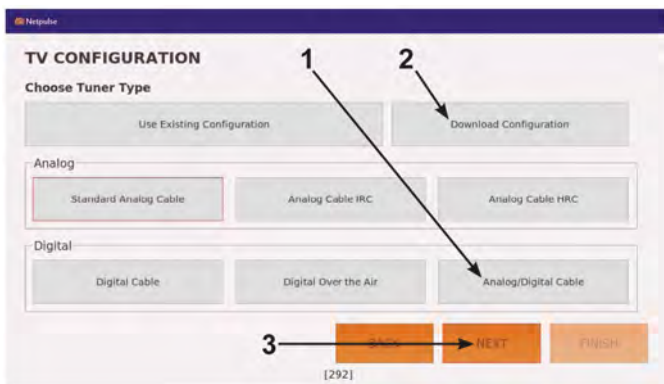
TV configuration

The TV configuration only needs to be performed on the first unit installed. Configure the first unit completely, save the configuration, then assemble and configure all other units.

1. Select **Analog/Digital Cable** and tap **NEXT**.

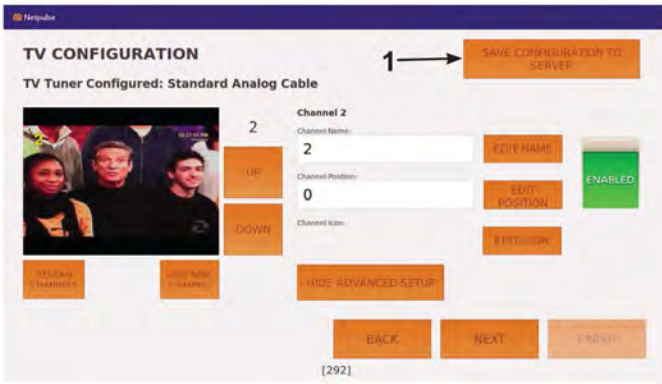
This will scan for all available channels. The scan can take 20 minutes to complete.

If scan was previously configured and stored, choose **Download Configuration** and tap **NEXT** to configure other units. Go to *Test Cybex GO Monitor*.



	Description
1	Analog/Digital Cable
2	Download Configuration
3	NEXT

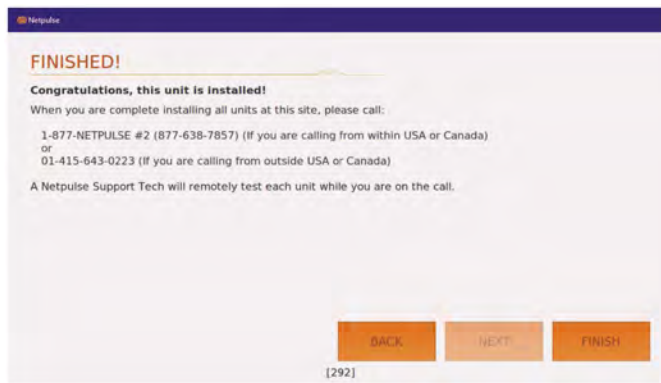
2. Tap **SAVE CONFIGURATION TO SERVER.**



	Description
1	SAVE CONFIGURATION TO SERVER

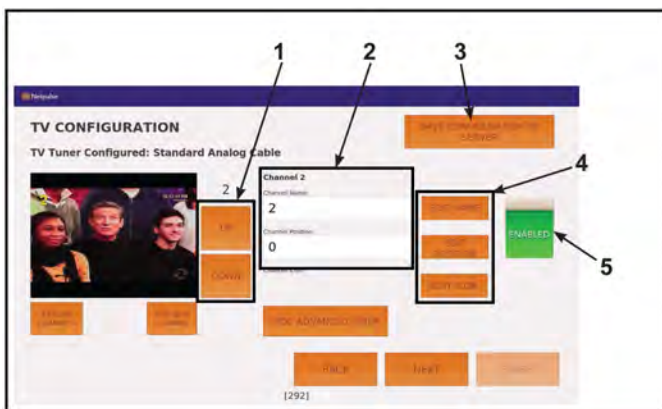
To configure each of the channels see *Channel configuration*.

3. Tap **FINISH** to complete installation.
Cybox GO monitor will reset. Do not call Netpulse.



Channel configuration

Each channels name, position, and icon can be edited. Channels not needed or channels with poor signals can be disabled.



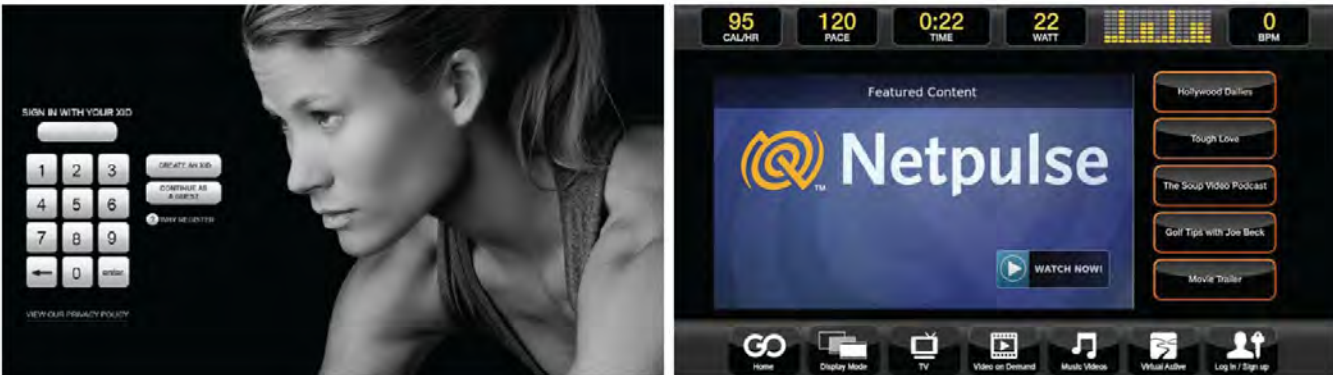
	Description
1	Channel Up /Channel Down
2	Channel Name and Channel Position number
3	SAVE CONFIGURATION TO SERVER
4	EDIT NAME , EDIT POSITION , and EDIT ICON
5	Channel ENABLED or DISABLED

1. Tap **SHOW ADVANCED SETUP**, if edit icons are not visible.
2. Tap the **Channel Up** or **Channel Down** icons to select channel to edit.
3. Tap **EDIT NAME**.
A keyboard is displayed to edit the channel name. Tap **SAVE** when done.

4. Tap **EDIT POSITION**.
A keypad is displayed to edit the channel position. Tap **SAVE** when done.
5. Tap **EDIT ICON**.
Icons are displayed to edit the channels icon. Tap **SAVE** when done.
6. Tap the **ENABLED** or **DISABLED** icon to toggle the viewing of each channel.
The channel configuration only needs to be performed on the first unit installed. Configure the first unit completely, save the configuration, then assemble and configure all other units.

Test Cyberx GO monitor


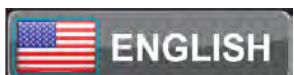
Test Cyberx GO monitor by tapping **CONTINUE AS GUEST** at home screen. Select from **TV** or **Videos** to test Cyberx GO monitor










Equipment Setup

Initial setup



Initial setup only occurs during the installation of the unit. Once complete, refer to Setup Options below.

	CYBERX LOGO	Press and hold Cyberx logo for 6 seconds to access Screen Lock and Toolbox .
	LANGUAGE ICON	Press and hold language logo for 6 seconds to access Screen Lock and Toolbox .

1. Tap the **Access Toolbox** icon to display the **Access to Toolbox** login screen.
2. Enter the sequence:     .
3. Tap the **Setup** icon to display the **Setup** menu.
4. Tap the **Time** icon to advance to the **Set the Time** screen.
5. Adjust the time if needed, then tap the **ENTER** icon .
6. Tap the **Date** icon to advance to the **Set the Date** screen.
7. Adjust the date if needed, then tap the **ENTER** icon .
8. Tap the **Units & Power** icon to select the **Set units preference** screen.


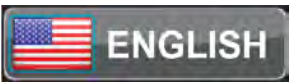
9. Select the unit preferences from the following options:
Record your actual line voltage here. Line frequency is usually specific to your country or location.


Distance Units	Weight Units	Line Frequency	Line Voltage
Miles	Lbs.	50 Hz	110v
Km	Kg	60 Hz	115v
	Stone		208v
			220v
			230v

10. Exit Set Up Mode by tapping the **Toolbox**  icon, then tap the **Home** icon . The screen will refresh.

Setup options - Cybex GO Monitor

Enter setup options.

	CYBEX LOGO	Press and hold Cybex logo for 6 seconds to access Screen Lock and Toolbox .
	LANGUAGE ICON	Press and hold language logo for 6 seconds to access Screen Lock and Toolbox .



1. Tap the **Access Toolbox** icon to display the **Access to Toolbox** login screen.
2. Enter the sequence: .
3. Tap the **Setup** icon to display the **Setup menu**.

Setup menu

Units	Select distance units. Miles or Km (Kilometers). Select weight units. Lbs. (Pounds), Kg. (Kilograms) or Stone (Stones).
A/V Config	Perform Touch Calibration, Network Setup, or Channel Setup. See <i>A/V Configuration</i> .
Workout times	Set Default and Max workout times. Default choices are 20, 30, or 60 minutes. Max choices are 20, 30, 60, or OFF.
Limits	Set Min Speed, Max Speed, and Max Incline.
Pause	Set Pause time. Choices are OFF, 0:30, 1:00, or 2:00 minutes.
Sound	Select console beeper settings. Choices are ON, Some, or OFF. Selecting Some enables beeper for safety related notifications, such as Entering Active, Exiting Active, and Cool Down.

Language	Select default language to display on CardioTouch screen. Toolbox is only available in English. Include Optional Languages. Select optional languages to display on CardioTouch screen. Choices are Include or Off .
-----------------	--


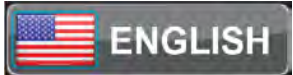
Exit Set Up Mode

Exit Set Up Mode by tapping the **Toolbox**  icon, then tap the **Home** icon . The screen will refresh.

Diagnostics

Diagnostic menus display service information.

Access Diagnostic menus

	CYBEX LOGO	Press and hold Cybex logo for 6 seconds to access Screen Lock and Toolbox .
	LANGUAGE ICON	Press and hold language logo for 6 seconds to access Screen Lock and Toolbox .


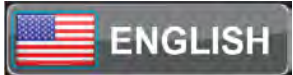
1. Tap the **Access Toolbox** icon to display the **Access to Toolbox** login screen.
2. Enter the sequence:     .





The three diagnostic screens available are:

- Setup
 - Setup options - LED, E3 View Monitor
 - Setup options - Cybex GO Monitor
- Statistics
- OEM Diags (Diagnostics)

Setup options - LED, E3 View Monitor

Enter setup options.

	CYBEX LOGO	Press and hold Cybex logo for 6 seconds to access Screen Lock and Toolbox .
	LANGUAGE ICON	Press and hold language logo for 6 seconds to access Screen Lock and Toolbox .


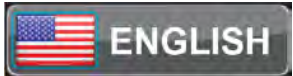
1. Tap the **Access Toolbox** icon to display the **Access to Toolbox** login screen.
2. Enter the sequence:     .
3. Tap the **Setup** icon to display the **Setup** menu.



Setup menu

Time	Select Time Display option to On or Off . Add or subtract an hour. Select time display as AM , PM , or 24 Hour display. Enter time using keypad, press Enter to save.
Date	Select date style [MM] [DD] [YYYY], [DD] [MM] [YYYY], or [YYYY] [MM] [DD]. Y - Year, M - Month and D - Day. Enter date using keypad, press Enter to save.
Units and Power	Select distance units. Miles or Km (Kilometers). Select weight units. Lbs. (Pounds), Kg. (Kilograms) or Stone (Stones). Line frequency 50 or 60 Hz. Line voltage - displayed.
TV Input (LED consoles)	Select Device Installed . Choices are: No TV , Wireless TV , or C.A.B. (Console Adapter Box for Broadcast Vision) or Connected TV . Contact qualified service technician for audio visual setup.
TV Source (E3 View Monitor)	Select Device Installed . Choices are: Tuner , STB + Tuner , or STB + HDMI . Contact qualified service technician for audio visual setup.
FM Radio Presets (not shown for E3 View Monitor)	Active when A/V Device is set to Wireless TV . Contact qualified service technician for audio visual setup.
Workout times	Set Default and Max workout times. Default choices are 20, 30, or 60 minutes. Max choices are 20, 30, 60, or OFF.
Limits	Set Min Speed, Max Speed, and Max Incline.
Pause	Set Pause time. Choices are OFF, 1:00, 5:00, or 10:00 minutes.
Sound	Select console beeper settings. Console Beeper - On or Off. Headphone Beeper - Off , Some , or All . Default Volume - 1 to 30, default is 10.
Language	Select default language to display on CardioTouch screen. Toolbox is only available in English. Include Optional Languages. Select optional languages to display on CardioTouch screen. Choices are Include or Off .
Restore Factory Defaults	Restores all setup variables back to factory defaults. Does not affect Time or Date.

Setup options - Cybex GO Monitor

Enter setup options.

	CYBEX LOGO	Press and hold Cybex logo for 6 seconds to access Screen Lock and Toolbox .
	LANGUAGE ICON	Press and hold language logo for 6 seconds to access Screen Lock and Toolbox .

1. Tap the **Access Toolbox** icon to display the **Access to Toolbox** login screen.
2. Enter the sequence:     .
3. Tap the **Setup** icon to display the **Setup menu**.

Setup menu

Units	Select distance units. Miles or Km (Kilometers). Select weight units. Lbs. (Pounds), Kg. (Kilograms) or Stone (Stones).
A/V Config	Perform Touch Calibration, Network Setup, or Channel Setup. See <i>A/V Configuration</i> .
Workout times	Set Default and Max workout times. Default choices are 20, 30, or 60 minutes. Max choices are 20, 30, 60, or OFF.
Limits	Set Min Speed, Max Speed, and Max Incline.
Pause	Set Pause time. Choices are OFF, 0:30, 1:00, or 2:00 minutes.
Sound	Select console beeper settings. Choices are ON, Some, or OFF. Selecting Some enables beeper for safety related notifications, such as Entering Active, Exiting Active, and Cool Down.
Language	Select default language to display on CardioTouch screen. Toolbox is only available in English. Include Optional Languages. Select optional languages to display on CardioTouch screen. Choices are Include or Off .

Statistics


1. Tap the **Statistics** icon to display the **Treadmill Totals** icon.

2. Tap the **Treadmill Totals** icon to display the **Total Unit Stats menu**.

Total Units Stats menu:

Treadmill Totals	<p>Distance – Recorded total distance in the configured units. Hours – Number of total time the motor has been run, stored in hours.</p> <p>Starts – Number of times the motor has been started.</p> <p>Moves – Number of single % grade moves, up or down, of the incline motor.</p> <p>On Time – How long the console has been powered on</p> <p>Days in Service – Today’s date minus the Install Date.</p> <p>Install Icon – This icon is not active but shows the install date in the text window.</p>
Belt	<p>Distance – Recorded total distance in the configured units. Days in Service – This is for the running belt and running deck pair recent install date.</p> <p>100 Avg Amps – A rolling average of the last 100 user’s line current.</p> <p>100 Peak Amps – Peak current of the last 100 users.</p> <p>Estimated Distance Remaining – A calculated value.</p> <p>Estimated Change Date – Based on age, miles, and average current.</p> <p>Install Icon – This icon is active to allow resetting the install date for the running belt.</p>
Deck	<p>Distance – Recorded total distance in the configured units. Days in Service – This is for the running belt and running deck pair recent install date.</p> <p>100 Avg Amps – A rolling average of the last 100 user’s line current.</p> <p>100 Peak Amps – Peak current of the last 100 users.</p> <p>Estimated Distance Remaining – A calculated value.</p> <p>Estimated Change Date – Based on age, miles, and average current.</p> <p>Install Icon – This icon is active to allow resetting the install date for the running deck.</p>

LCD	<ul style="list-style-type: none"> • GFX On Time • Days in Service • Backlight On Time • iPod Attaches • iPod On Time • Touch Panel Usage (total) <p>Install Icon – This icon is active to allow resetting the install date for the GUI Module.</p>
Membrane	<p>Days in Service</p> <p>Stop – How many times the membrane’s stop button was pressed and released.</p> <p>Ch Up – How many times the Channel Up button was pressed and released.</p> <p>Speed Up – How many times the Speed Up button was pressed and released.</p> <p>Incline Up – How many times the Incline Up button was pressed and released.</p> <p>Fan – How many times the fan button was pressed and released.</p> <p>Install Icon – This icon is active to allow resetting the install date for the membrane.</p>
PEM Statistics	<ul style="list-style-type: none"> • OSD On Time • Days in Service • Backlight On Time • Max Temp • Current Temp <p>Install Icon – This icon is active to allow resetting the install date for the membrane.</p>
Program Usage	Shows the number of times each workout was started.
Statistics	<p>Days in Service – Today’s date minus the Install Date.</p> <p>Session Time – Average session time in minutes.</p> <p>Session Speed – Average session speed.</p> <p>Power Draw – Average power draw.</p> <p>Daily Starts – Average number of starts per day.</p> <p>Daily Distance – Average distance covered in a day.</p> <p>Install Icon – This icon is active to reset the displayed averages only, showing the date it was last reset in the text window.</p>


3. Tap the **Toolbox**  icon to return to the **Toolbox** screen.

OEM Diags (Diagnostics)



1. Tap the **OEM Diags** icon to display the **OEM Diagnostics menu**.

OEM Diagnostics menu:

Build Report	Displays software versions and component information. Base S/N, Console S/N, MCC Code Revision, GFX Code Revision, EPEM or LED Code Revision, Drive Revision, Install date, Date/Time, HR Device name/type, Errors (# of errors in the log), Brake Type
Error Log	Displays number of errors, up to 20. If no errors are stored [0] [Err] [Log] will be displayed. See Error Codes .
Touch Test	Test CardioTouch screen. Touch anywhere on screen to display cross hairs
Touch Cal	Touch four corners to calibrate CardioTouch screen.








2. Tap the **Toolbox**  icon to return to the **Toolbox** screen.

Exit Diagnostics

Exit **Diagnostics** by tapping the **Toolbox**  icon, then tap the **Home** icon . The screen will refresh.

Diagnostics when CardioTouch screen is not functioning

The incline motor and drive motor can be tested if the CardioTouch Screen is not functioning.


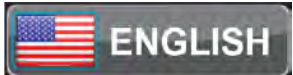
1. Press and hold the **Fan**  key for at least three seconds until the console beeps twice.
2. Release the **Fan**  key and press the **Volume Down**  key within two seconds.
The Incline and Speed LED's will blink indicating *Diagnostics Mode*.
Press any one of the Incline or Speed keys within the first ten seconds, otherwise Diagnostic Mode will exit.
3. The **Incline Up**  , **Incline Down**  , **Speed Up**  and **Speed Down**  keys are now active.
4. Press the **Stop** key to stop the running belt and exit to *Dormant Mode*.






Cyber GO Monitor Diagnostics

Cyber GO monitor diagnostics allows access to system information, screen calibration, and other diagnostic functions. Access to the diagnostic functions are available through the CardioTouch screen or hidden menu.



CardioTouch screen access

Enter setup options.

	CYBEX LOGO	Press and hold Cyber logo for 6 seconds to access Screen Lock and Toolbox .
	LANGUAGE ICON	Press and hold language logo for 6 seconds to access Screen Lock and Toolbox .

1. Tap the **Access Toolbox** icon to display the **Access to Toolbox** login screen.
2. Enter the sequence:     .
3. Tap the **Setup** icon to display the **Setup menu**.
4. Tap the **A/V Config** icon to display the A/V configuration options.

Touch Calibration	Tap Cyber GO monitor in nine locations to calibrate screen.
Network Setup	See Cyber GO installer , step 2 NETWORK DEVICE SELECTION .
Channel Setup	See TV configuration .

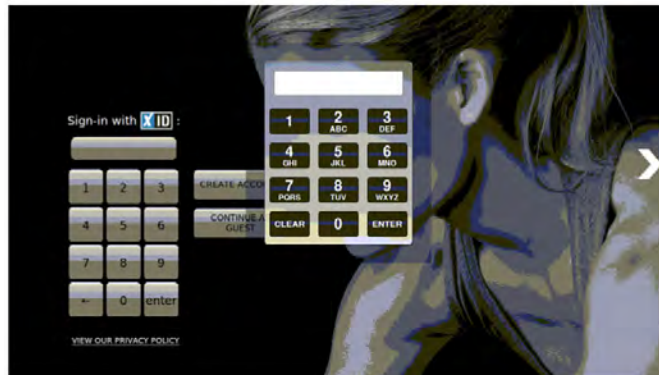
Exit **Diagnostics** by tapping the **Toolbox**  icon, then tap the **Home** icon . The screen will refresh.

Hidden menu access

1. At the main dormant screen perform the following sequence.
 - a) Tap the upper left portion of the screen once.
 - b) Tap the upper right portion of the screen twice.
 - c) Tap the upper left portion of the screen once.



This will display the diagnostic keypad.



2. Enter a code on the keypad to access diagnostic functions.

Most Used Functions

Numeric Code	Alpha Code	Explanation and Usage
911		Displays the IP address, MID and other data of the Cybex GO monitor. There may be instances where help desk staff want to communicate with the device for troubleshooting purposes.
7226	SCAN	Brings up the TV Channel scanning configuration screen. This option is used if the Cybex GO monitor has lost its TV configuration.
86824	TOUCH	Brings up the touch screen calibration screen. This is used to recalibrate the touch screen in the event it loses its touch screen sensitivity.
77333	SPEED	Runs the Speakeasy speed test. This test is used if there is a jittery picture on the VOD. It shows the upload and download speeds.
27233	CSAFE	Allows you to test the CSAFE function.

Least Used Functions

Numeric Code	Alpha Code	Explanation and Usage
2582	CLUB	Resets the Cybex GO monitor to re-install at a club. Do not use this option unless the help desk instructs you to use it.
78425	STICK	Allows you to plug in a USB drive stick with updates and run those updates on your Cybex GO monitor. In some rare cases, a technician may have to install updates via a USB drive.
4638	INET	Runs the network device selection configuration screen.
3366	DEMO	Runs the Cybex GO monitor in Demo mode for tradeshow or events. This option is only used for demos.
3696	DOWN	Shuts down the Cybex GO monitor. Don't use this unless instructed to by the help desk.

Error Codes 770T, 790T Treadmill

Error codes notify user of a problem condition and are displayed on the console. Error codes can also help to indicate the part of the unit most likely to be causing the problem.


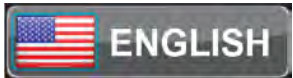
Known conditions that will generate errors:






- Shutting of the power while the belt is moving (Error [3](#), [5](#), [95](#) and [99](#) possible)
- Cycling power too quickly (SVC-95 with no error stored)
- Setting the line frequency to not match the input (Error [141](#), [140](#))

- Display watchdog resets cause a pair of codes, 9 and 99, to appear in sequence

NOTE: Errors < 90 are console generated. The console software has determined an error condition exists that either doesn't involve the drive or hasn't caused the drive to malfunction. All errors generated by or reported by the motor controller are 90 or greater.

Access error log

	CYBEX LOGO	Press and hold Cybex logo for 6 seconds to access Screen Lock and Toolbox .
	LANGUAGE ICON	Press and hold language logo for 6 seconds to access Screen Lock and Toolbox .

1. Tap the **Access Toolbox** icon to display the **Access to Toolbox** login screen.
2. Enter the sequence:     .
3. At the main **Toolbox** screen, tap the **OEM Diags** icon, then the **Error Log** icon.

Error code list

Error Code	Description
Error 1	Drive did not start (No Speed at Startup)
Error 2	GFX Communications issue
Error 3	Speed Irregularity / Underspeed
Error 4	Upper Display Communications issue
Error 5	Drive Communication Issue
Error 6	Membrane Fault (stuck key)
Error 7	Controller Over-Current (Fold-back)
Error 8	Approaching Over-Temperature
Error 9	MCC Watchdog Triggered
Error 10	Motion Sensor Blocked
Error 11	Motion Sensor Defective
Error 12	Graphics Board Watchdog Triggered
Error 13	Upper Display watchdog Triggered
Error 14	Drive Error Unknown
Error 15	Embedded A/V Device Failure
Error 16	Membrane Fault (No Membrane)
Error 18	Membrane Fault - Stuck Thumb Control

Error Code	Description
<i>Error 19</i>	Drive Enable Line is open
<i>Error 92</i>	Over Current (Output)
<i>Error 93</i>	Over Voltage (DC Link)
<i>Error 94</i>	Over Heat (Heatsink)
<i>Error 95</i>	Low Voltage (DC Link)
<i>Error 96</i>	Thermal Integrator of output current
<i>Error 98</i>	Display Communication Lost – Belt speed zero
<i>Error 99</i>	Display Communication Lost – Belt moving
<i>Error 103</i>	Input Current OC trip (Drives with PFC only)
<i>Error 105</i>	Thermal Integrator of Input Current (Drives with PFC only)
<i>Error 140</i>	Cannot find home position on power-up
<i>Error 141</i>	Cannot find home position during use
<i>Error 142</i>	Out of incline range (over 15% or lower than -3%)
<i>Error 150</i>	Out of Speed Range (over 150 Hz)

Error 1: Drive did not start (No Speed at Startup)

Cause:

Main computer board calls for the drive motor to start, but the drive controller responds with 0 for more than 5 seconds (the drive motor didn't start).

Service:

The only known cause of Error 1 has been a drop in communications or corrupted communications. These have not been 'hard' or repeatable events.

- If the E-stop connection is open or intermittent, the drive can attempt to start and end up with an Error 1.
- A communication problem can result in Error 1, stemming from issues with the console cable, drive or MCC. They will likely be accompanied by other comm errors such as [9](#), [98](#), [99](#).
- ESD could cause intermittent issues with communications.
- Older equipment ignores the E-stop key on power-up, so if the key is out, the console is unaware. Normal use will result in Error 1 until the key is replaced.
- Check the cabling from the console to the motor controller.

Error 2 - GFX communications issue

Cause:

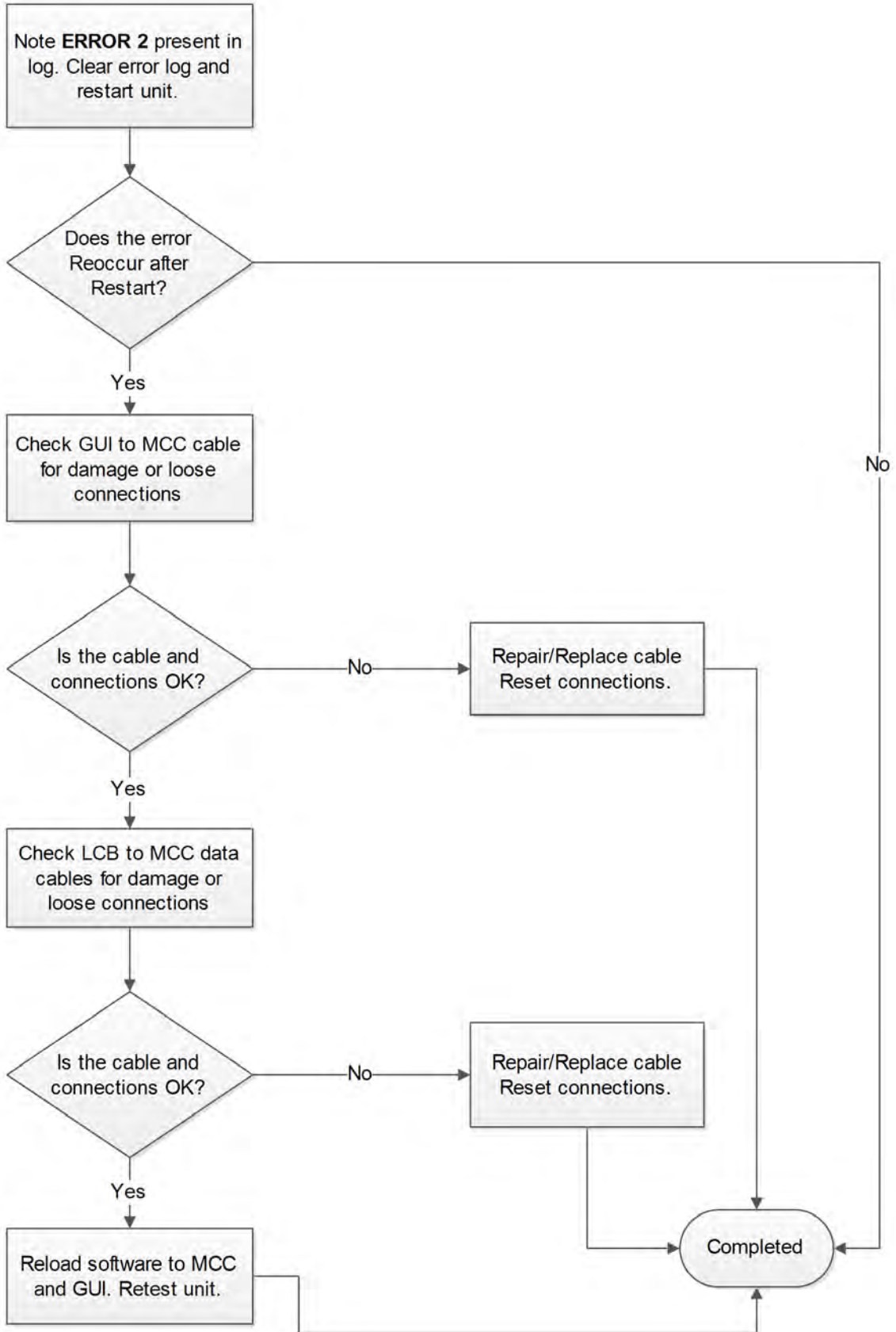
MCC is receiving incomplete, erroneous, or no information from the Graphics Board that occurred even after three re-tries.

Service:

If this occurs in Dormant, the cause is likely a software defect or power fluctuation. If this occurs mostly in active mode, it could be due to static discharge or increased data traffic.

- Check internal cabling at the handset to ensure grip leads are not routed close to the back of the GFX assembly.
- Check the cable connections from the GFX to MCC, MCC to the LCB for potential pulled out or shorted wires.
- Check the cable connections at the 30-pin cable connecting the GFX to the MCC.
- Verify the console cable isn't damaged or pinched anywhere.
- Ensure the GFX ground lead is screwed tightly to the GFX case and connected to the MCC's quick connect tab.

Flowchart: Error 2



Error 3: Speed Irregularity / Underspeed

Cause:

- **Loss of Speed:** Drive responds with an actual of 0 Hz after initially sending a valid speed.
- **Speed Acceleration is delayed:** Drive is reporting a deviation of more than 6% from Target frequency to Actual frequency for more than 45 seconds when changing speed. It should not take more than 35 seconds to go from 0 MPH to 15.6 MPH, so having this deviation exist for much longer than that is a problem.
- **Speed changes during workout:** After successfully changing speed, the Drive reported actual speed is <6% under the Target without being commanded by the console.

Service:

Error 3, like [Error 95](#), can be displayed and/or stored if the power is interrupted while the belt is moving. The drive controller immediately shuts off the motor, yet the main computer board still has enough power to stay awake to see the drive report the motor stop. This is not a hard error condition, nor repeatable. If they do repeat, check the cabling from the console to the motor controller.

Error 4: Upper Display Communications issue

Cause:

Main computer board is receiving incomplete, erroneous, or no information from the upper display that occurred even after three re-tries. The upper display is not required for the treadmill to function safely, so this is a stored error only. If and when the product is in Dormant, the main computer board will attempt to cycle power or reset the Upper Display system.

Service: LED Console

If this occurs in Dormant, the cause is likely a software defect or power fluctuation. If this occurs mostly in active mode, it could be due to ESD events or increased data traffic.

- Check internal cabling between the MCC and Display board.
- Ensure there are no cracks or openings in the upper display's console decal or membranes
- Verify no moisture intrusion has compromised the MCC, display or cabling.

Service: EPEM (Embedded PEM or E3) Consoles

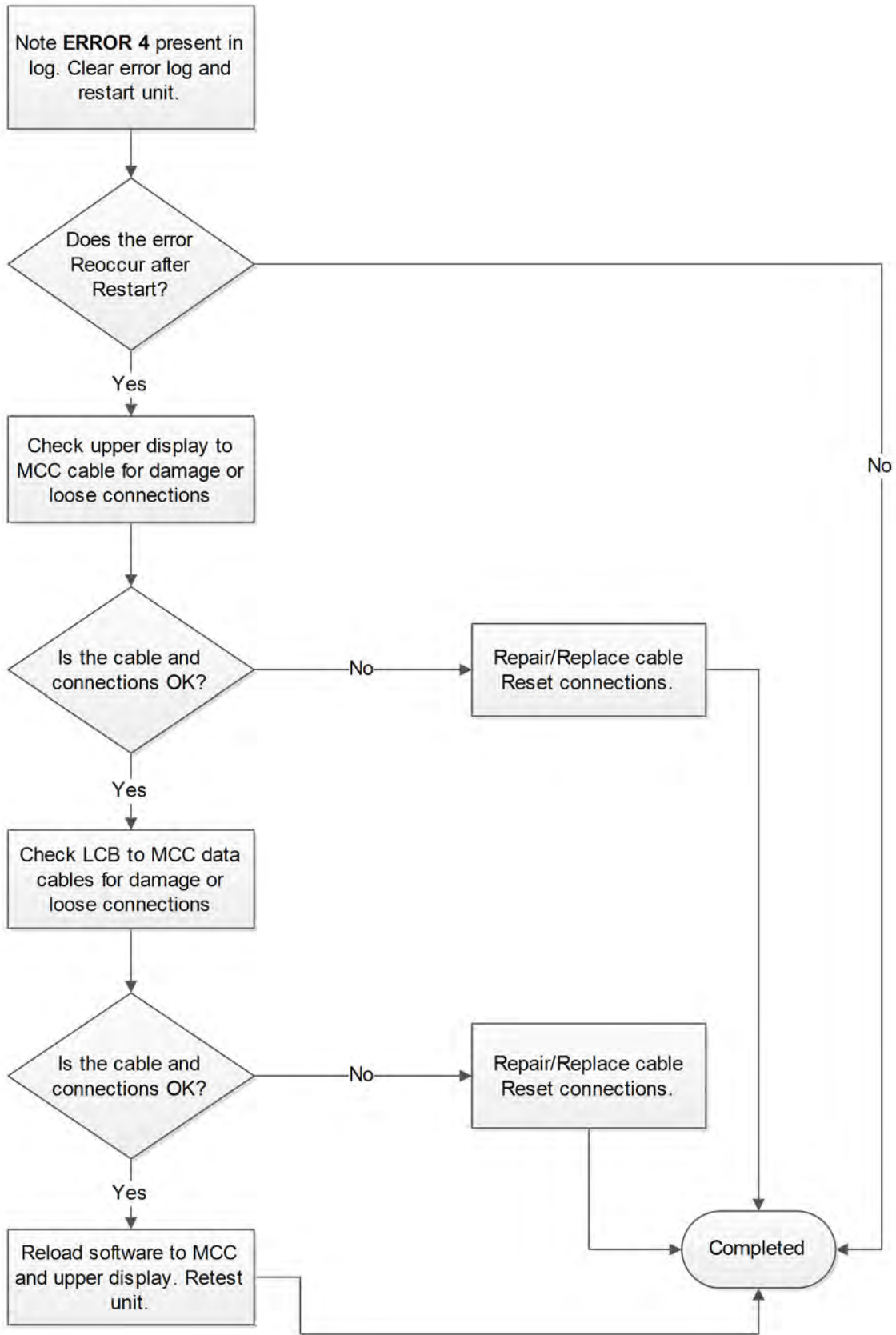
If this occurs in Dormant, the cause is likely a software defect or power fluctuation. If this occurs mostly in active mode, it could be due to ESD events or increased data traffic.

- Check internal cabling between the MCC and EPEM.
- Ensure there are no cracks or openings in the upper display's console decal or membranes
- Verify no moisture intrusion has compromised the MCC, EPEM or cabling.

Service: NTS (CybexGO or Embedded Netpulse) Consoles

- NTS computers can reset and not recover, requiring a second reset or power cycle. Always attempt this first to remedy the situation.
- NTS and MCC could potentially be out of sync, requiring a full-system power cycle. If this recurs, the NTS firmware may need to be updated.
 - Call Cybex and have a technician verify the firmware and update it if necessary.
 - Attempt the **Check for Updates** button in the Toolbox/Setup/AV Display/Network Setup.
- Verify the code versions in Toolbox/OEM Diags/Display Module match known production code combinations for:
 - npcybex: Netpulse software related to the N5i product line with Cybex modifications
 - pcybex: This is the code responsible for the Cybex look and feel on-screen
 - npcomm: This is the interpreter between the MCC and NTS
- Update the software in the MCC, and then update the firmware in the NTS as a last resort.
- If this occurs mostly when active, it could be due to ESD events or increased data traffic.
- Check internal cabling between the MCC and the NTS.
- Ensure there are no cracks or openings in the membranes.
- Verify no moisture intrusion has compromised the MCC, NTS or internal boards and cabling.
- If touches on the NTS screen are heard as clicks, the NTS communications to the MCC is working. If touches on the NTS do not bring the MCC out of dormant, MCC to NTS communications is lost. Contact Cybex if this ever occurs in the field:
 - CSAFE may have been enabled on this NTS console (need to disable it)
 - SBC RS232 may be faulty
 - Internal cabling may be faulty

Flowchart: Error 4



Error 5: Drive Communication Issue

Cause:

Loss of communication with the drive, the drive has not given a valid response in 350- 400ms.

Service:

Power outages are most suspect.

- Check the power cord, the power source (plug, outlet, cleanliness of power, brown-outs, etc.) and internal communication cabling.
- If the drive controller shuts down communication while the display is powered up, it can store this error.
- Check the communications cabling from the console to the motor controller.
- Check the motor connector at the motor controller. If the cable tie holding the cable is too tight it may cause a loose connection. If so, snip the cable tie and secure the motor connection.
- If the data cable is routed alongside the cube or line filter it may flag unnecessary errors. Try to route the cable closer to the frame away from the line filter.
- Can also occur if a 230V motor controller is accidentally installed in a 115V unit

Error 6 - Membrane Fault (Stuck Key)

Cause:

Membrane is showing a key constantly activated (noticed at power-up.)

Service:

- Check the membrane and thumb controls for signs of fatigue, cracking, or possible moisture intrusion.
- Ensure the membrane connector is fully seated.
- Inspect the membrane cable for cuts, pinches, and all leads are fully inserted in their connectors.
- Replace the membrane and/or the thumb control switches.

Key list

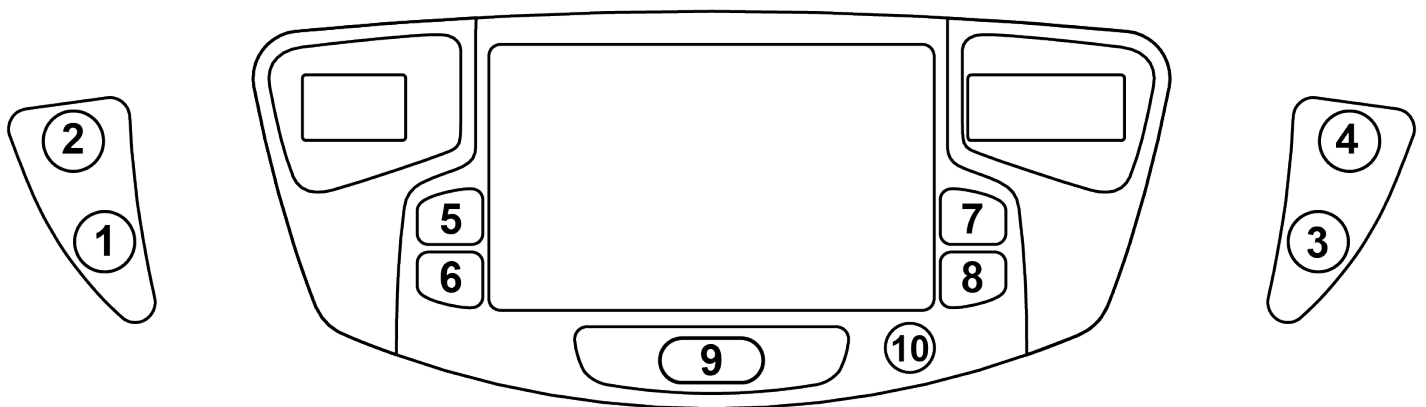
Left and Right controls

Key	Description
1	Incline Down
2	Incline Up
3	Speed Down
4	Speed Up

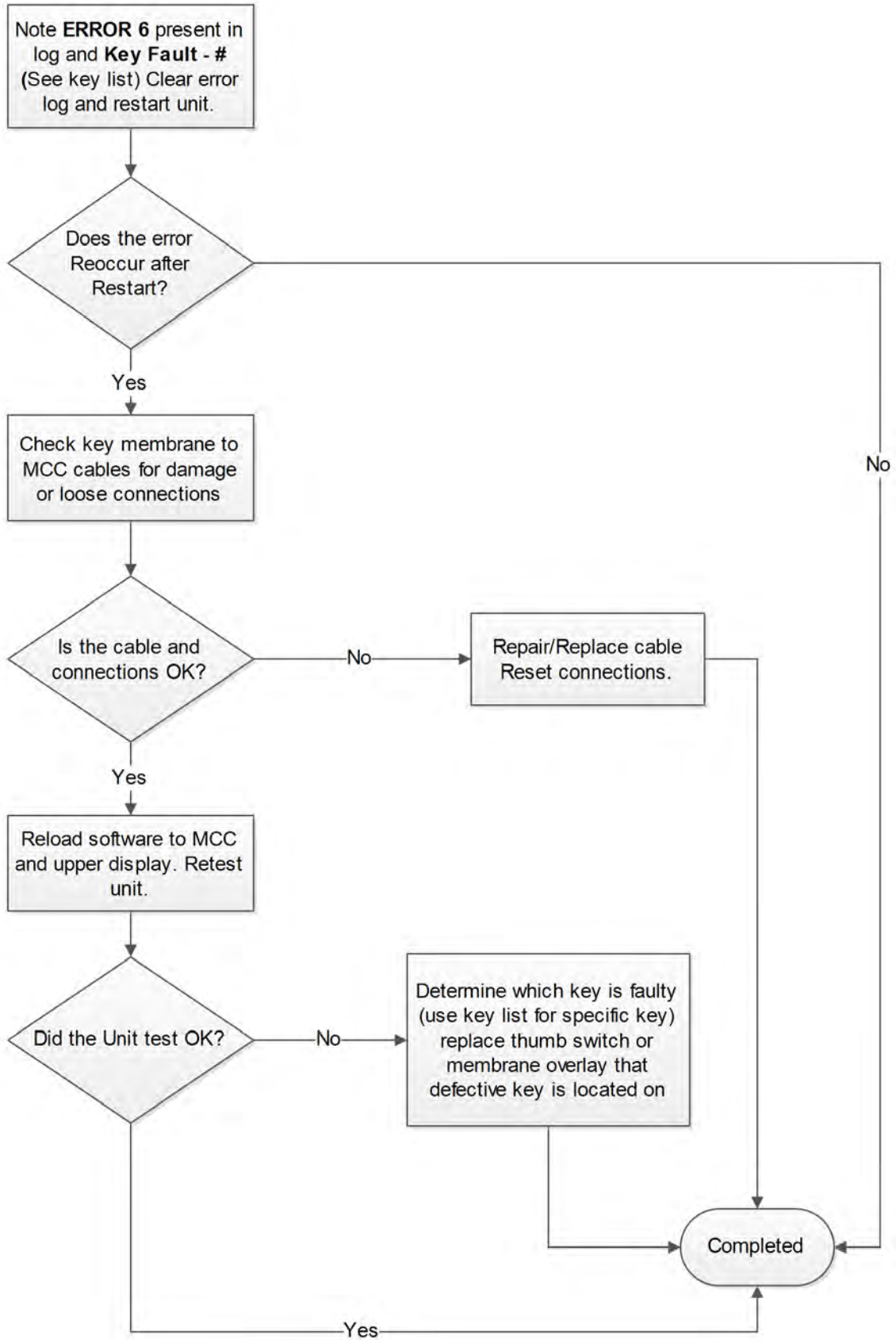
Main controls

Key	Description
5	Volume Up
6	Volume Down
7	Channel Up or Next
8	Channel Down or Previous
9	STOP
10	Fan

700 series membrane



Flowchart: Error 6



Error 7: Controller Fold-back

Cause:

The motor is bogging down, which causes high current. Once a threshold current is met, the drive begins to fold-back the actual frequency in response to the motor slip in order to prevent a complete motor stall. Once the over-current condition goes away, normal operation resumes. If the over-current remains, the display will sound a triple-beep, and lower the Target Speed to the reported new Target of the drive.

 **NOTE:** This scenario can repeat if necessary.

Service:

Error 7 is typically caused by a Super-User and/or worn belt and deck. This is a normal condition and the error is stored for tracking purposes only. If it repeats often, verify line voltage isn't sagging.

- Check the belt/deck for wear.
- Check treadmill for physical obstructions, seized bearings, etc.
- Investigate actual line current with various weight users. Determine user weight, speed and incline when error occurred.

Error 8: Approaching Over-Temperature

Cause:

Drive is reporting a temperature of 100+°C

Service:

- Open controller and vacuum or blow out accumulated debris.
- Verify the drive's fan is functional, unclogged, and the heat sink vanes are clear of debris.
- Verify controller is secured to the mounting plate tightly.
- Inquire on conditions in which the unit generated the error condition (user weight, speed, incline, etc.).

Error 9: MCC Watchdog triggered

Cause:

A software task has failed, causing a delay in the routine running of the code. If the delay is long enough, a hardware timer in the processor will re-boot the processor. When the processor comes up, it will communicate what caused the reset (watchdog vs. normal power reset.) Watchdog resets are logged as Error 9. Power resets are not logged.

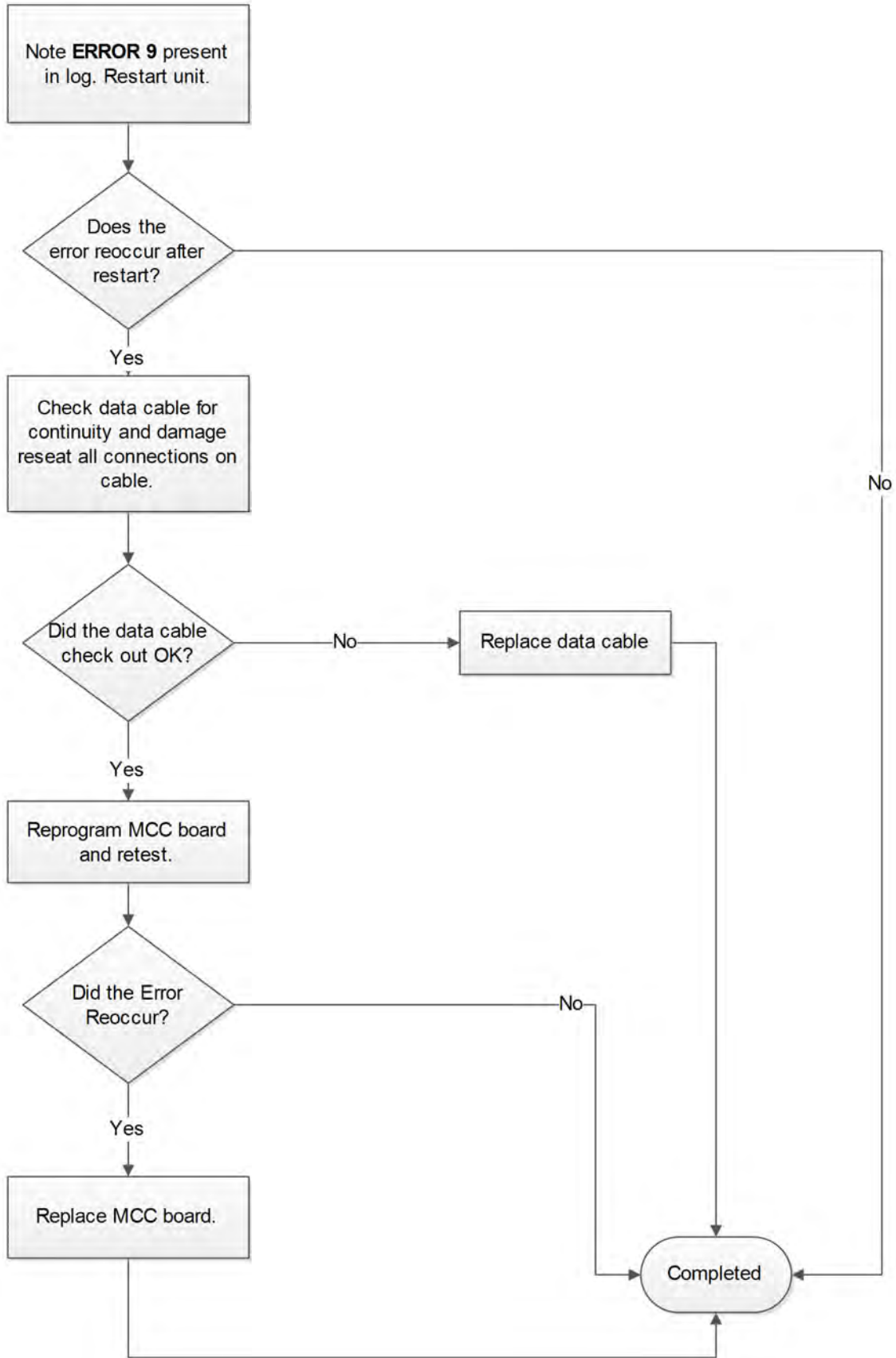
Service:

Possible causes of this watchdog error include ESD (Static Electricity) or hardware failures in the display and/or handset board.

- Check the CHR grips for conductivity and ensure they aren't shorted to the frame or pinched.
- Verify the membranes and decals are not fatigued, cracked or show signs of moisture intrusion.
- Ensure the GFX ground lead is secured correctly, and all screws holding the MCC are tight.
- Check the rear MCC grounding tab for a tight fit.

If the error occurs often, replace the MCC. If associated with membrane faults 6 or 16, a good assumption is ESD affected the membrane or thumb controls and they need replacing.

Flowchart: Error 9



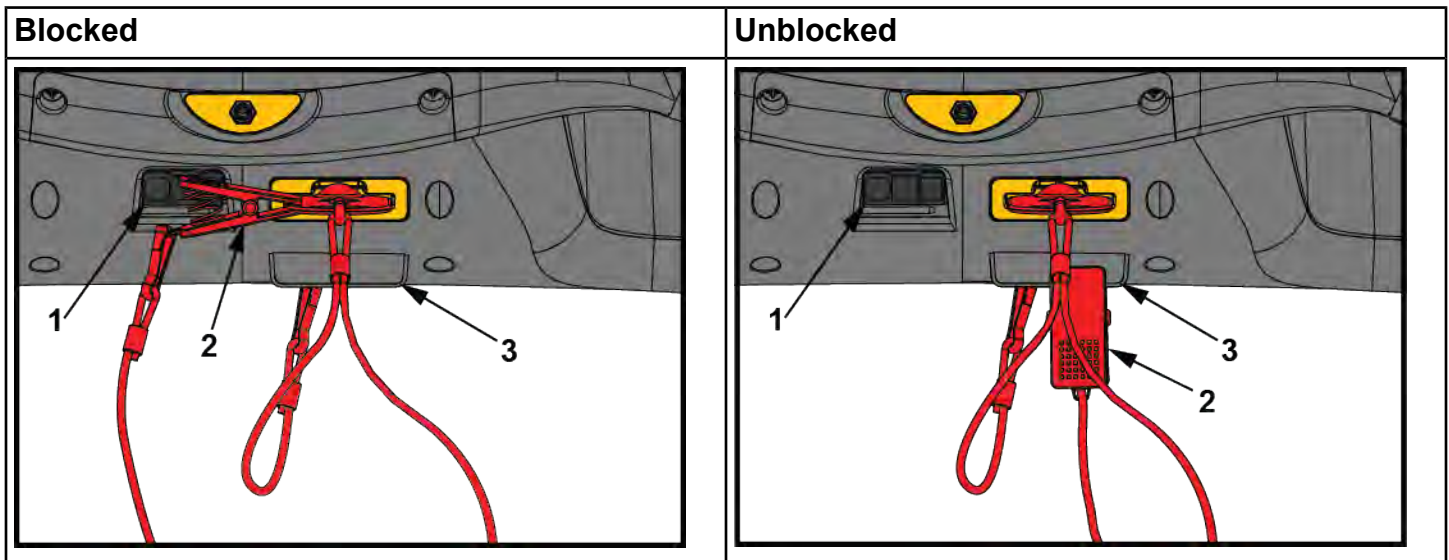
Error 10: Motion Sensor Blocked

Cause:

The motion sensor is reading between 1500 and 3500 for 10 minutes or greater while in Opening Screen. Display initiates Dormant from Opening Screen. In Dormant, the GUI shows a pop-up message indicating the user must touch the screen to begin, and that the motion sensor is blocked. Use of the motion sensor is disabled outside of Active Mode. Console stores a single Error 10 at the onset of this condition ONLY. Treadmill is otherwise fully functional.

Service:

Verify the motion sensor is not blocked by the e-stop clip or other obstruction.



	Description	Qty.
1	Motion sensor	1
2	E-stop clip	1
3	Storage tab	1

NOTE: When not in use store the e-stop clip on the storage tab located on the lower cover.

- Ensure the console bottom cover is attached correctly and not blocking the sensor.
- Check the function of the motion sensor in diagnostics. If the unit is against a mirror, bending the sensor mounting bracket down 2-3° will remedy the false reading and still be fully functional.

Error 11: Motion Sensor Defective

Cause:

The motion sensor is reading a consistent value indicative of being unplugged (650-750), or the ground removed (2100-2900), or power is removed (550-600), or > 3500 (defective) for 10 minutes or greater while in Opening Screen. Display initiates Dormant from Opening Screen. In Dormant, the GUI shows a pop-up message indicating the user must touch the screen to begin, and that the motion sensor is defective.

Use of the motion sensor is disabled outside of Active Mode. Console stores a single Error 11 at the onset of this condition ONLY. Treadmill is otherwise fully functional.

Service:

- Check the motion sensor cable and connections for damage and replace as needed.
- Read the output value of the motion sensor in Diagnostics to determine the most likely type of failure (see symptoms above.)
- Test the voltages at the motion sensor connection on the MCC. If OK, replace the motion sensor. If voltages are inconsistent, replace the MCC and the motion sensor.

Error 12: Graphics Board Watchdog triggered

Cause:

A software task has failed, causing a delay in the routine running of the code on the Graphics Board. If the delay is long enough, a hardware timer in the processor will re-boot the processor. When the processor comes up, it will communicate what caused the reset (watchdog vs. normal power reset.) Watchdog resets are logged as Error 12. Power resets are not logged.

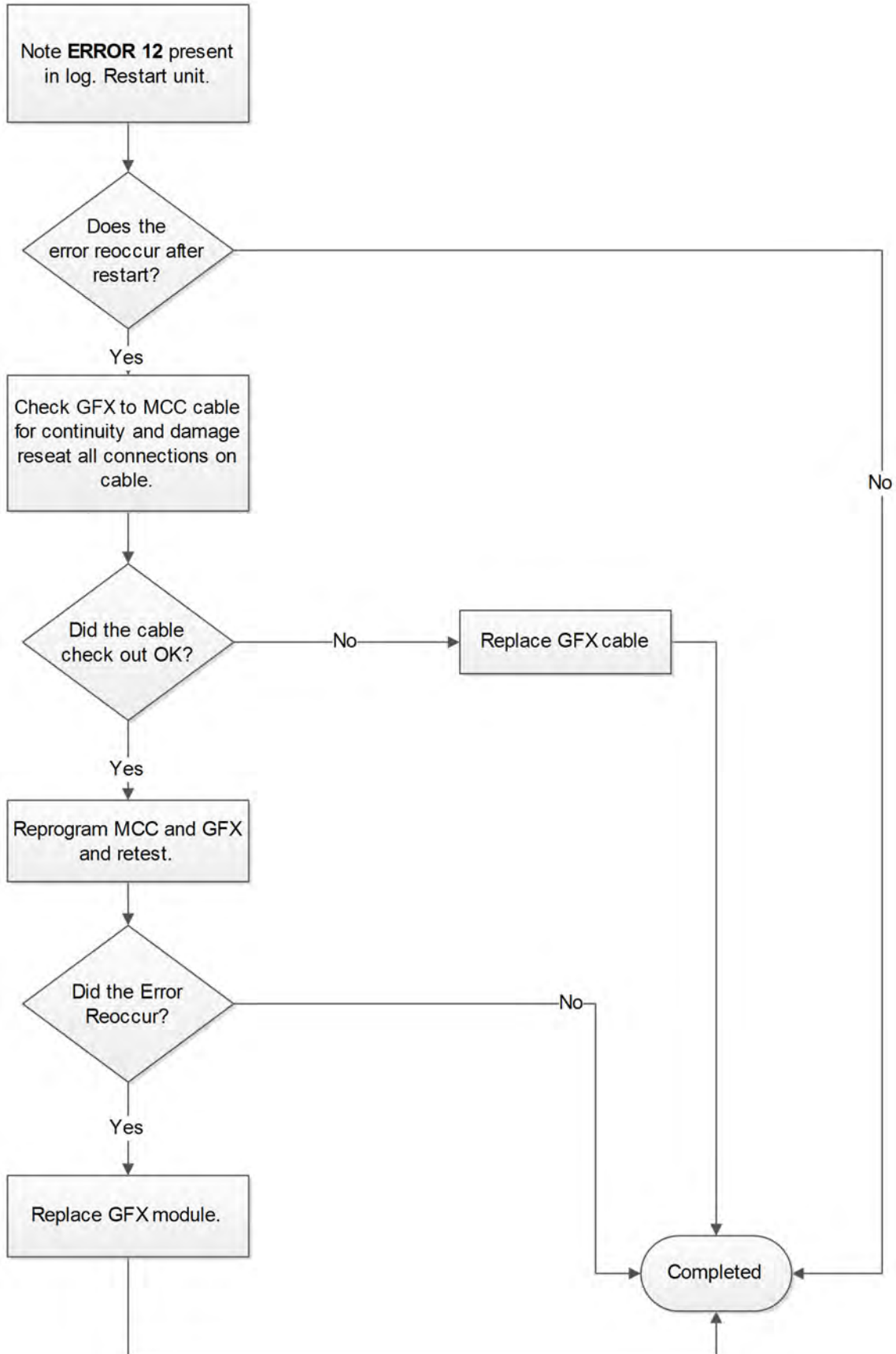
Service:

The only theory on what could cause a watchdog to kick on the GFX is an ESD event, software or hardware failure

- Check the CHR grips for conductivity and ensure they aren't shorted to the frame or pinched, and that they don't lie against or near the back of the GFX board.
- Verify the membranes and decals are not fatigued, cracked or show signs of moisture intrusion.
- Ensure the GFX ground lead is secured correctly, and all screws holding the MCC are tight.
- Check the MCC grounding cable for a tight fit.

If the error occurs often, replace the GFX assembly.

Flowchart: Error 12



Error 13: Upper Display watchdog triggered

Cause:

A software task has failed, causing a delay in the routine running of the code on the upper display. If the delay is long enough, a hardware timer in the processor will re-boot the processor. When the processor comes up, it will communicate what caused the reset (watchdog vs. normal power reset.) Watchdog resets are logged as Error 13. Power resets are not logged.

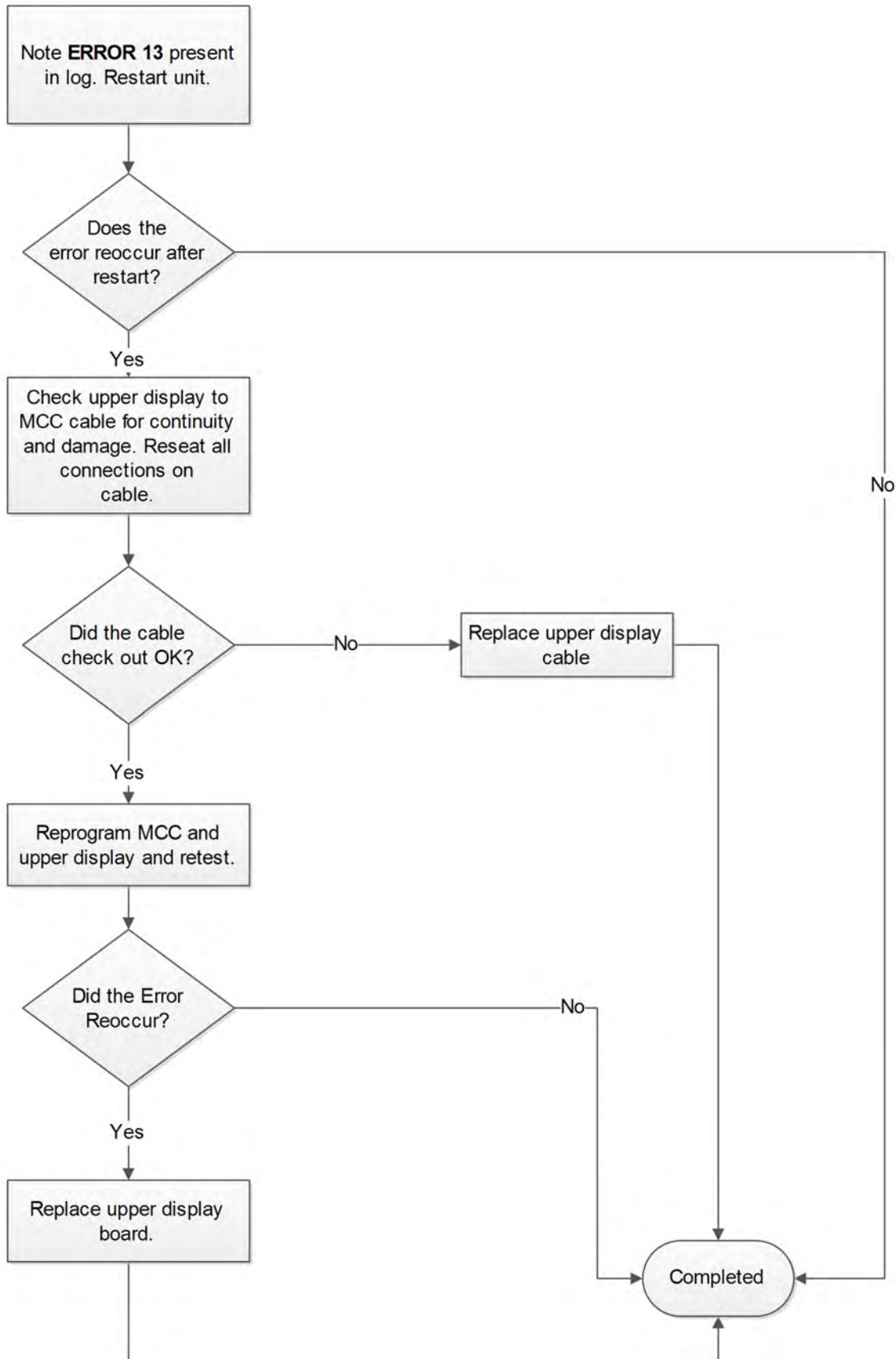
Service:

The only theory on what could cause a watchdog to kick on the display is an ESD event, software or hardware failure.

- Check the CHR grips for conductivity and ensure they aren't shorted to the frame or pinched, and that they don't lie against or near the back of the GFX board.
- Verify the membranes and decals are not fatigued, cracked or show signs of moisture intrusion.
- Ensure the GFX ground lead is secured correctly, and all screws holding the MCC are tight.
- Check the MCC grounding cable for a tight fit.

If the error occurs often, replace the GFX assembly.

Flowchart: Error 13



Error 14: Drive Error Unknown

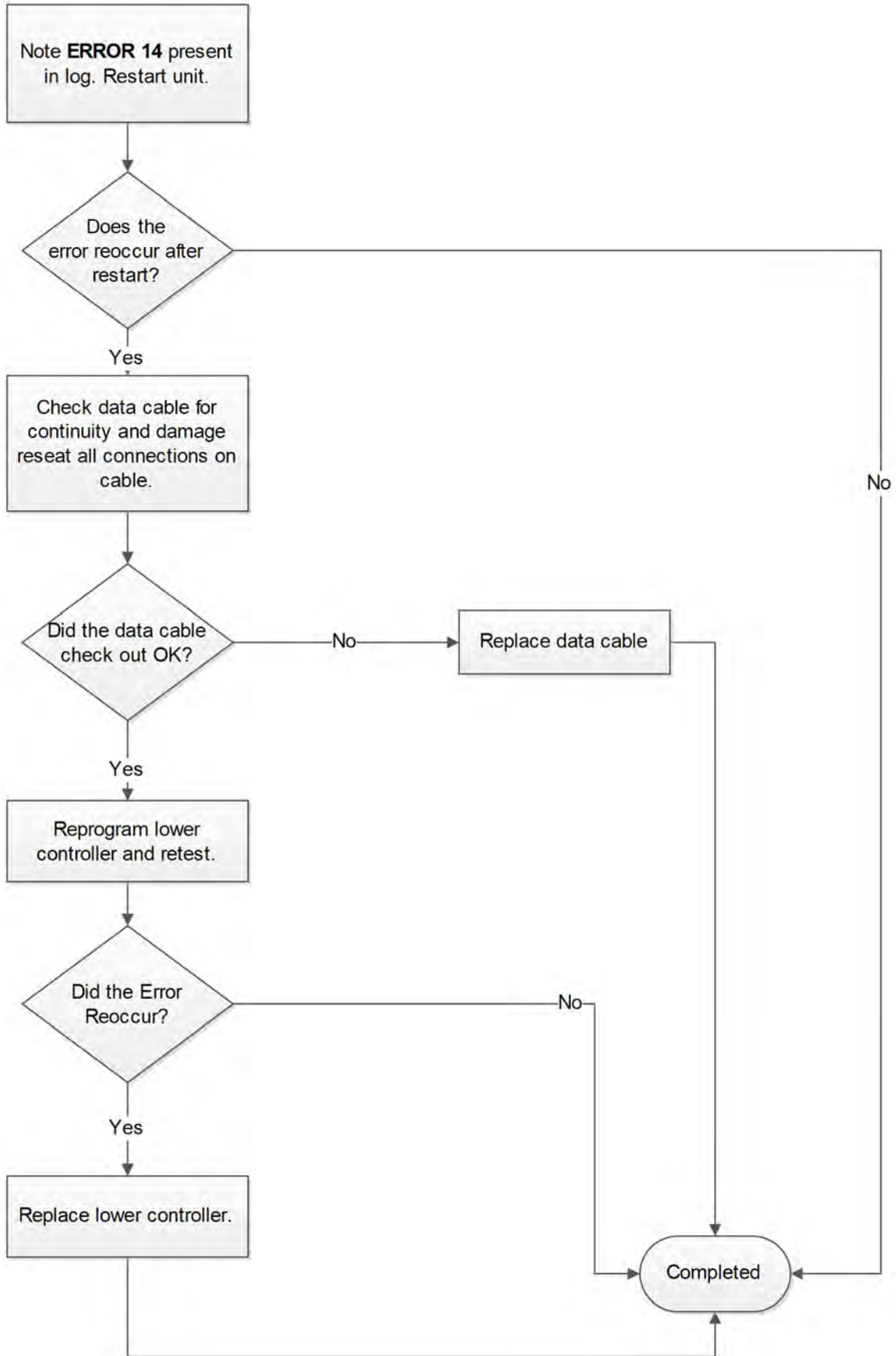
Cause:

The drive provided an error in a packet that was corrupt, or encountered an otherwise unrecognizable error to the console. This is a 'catch all' for any errors that are not known or recognized.

Service:

- Check the console cable for tears or shorts, and verify all connections are clicked-in and solid.
- Check for terminal corrosion.
- Ensure all grounds are in place and connected to un-painted and un-corroded surfaces.
- Check drive and display communications with the Cybex test protocol software on a laptop.
- Reprogram or replace the drive and replace the console cable.
- Consider moving the equipment to a different location as it can be receiving interference from something nearby.

Flowchart: Error 14



Error 15: Embedded A/V Device Failure

Cause:

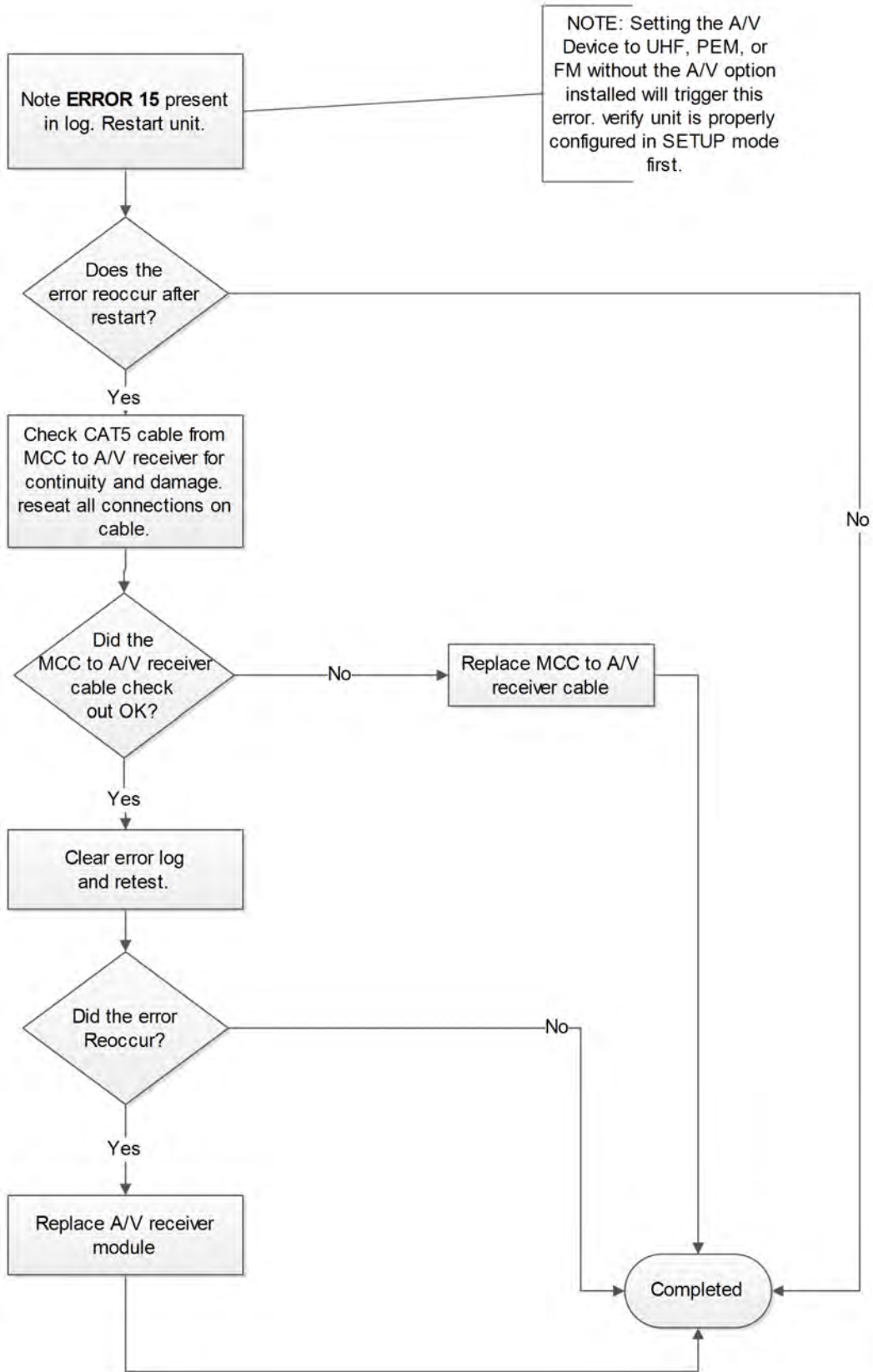
A software task has failed, causing a delay in the routine running of the code on the Graphics Board. If the delay is long enough, a hardware timer in the processor will re-boot the processor. When the processor comes up, it will communicate what caused the reset (watchdog vs. normal power reset.) Watchdog resets are logged as Error 12. Power resets are not logged.

Service:

Check the cables and connections required between the MCC and the A/V device. If cabling appears normal:

- For an embedded wireless receiver, replace the receiver and all cabling.
- For an embedded PEM, verify the EPEM works with the remote control and/or swap the EPEM with a known working PEM or on to another unit to see where the problem lies.

Flowchart: Error 15



Error 16: Membrane Fault (No Membrane)

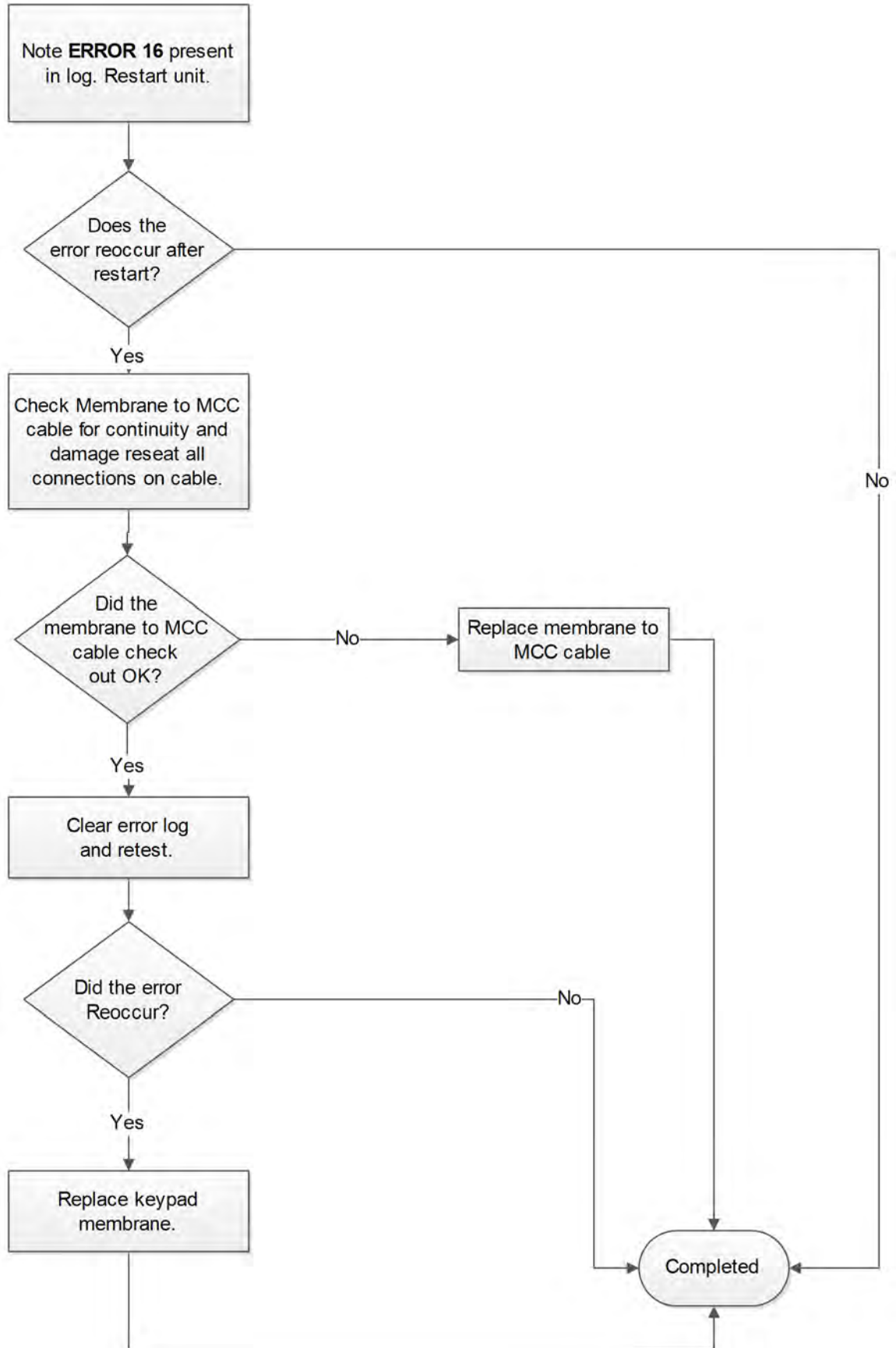
Cause:

Membrane is showing a general fault of communications such as registers can't be set, corrupt responses, or no responses (such as the membrane being unplugged.)

Service:

- Ensure the membrane is plugged in.
- Inspect the membrane cable for cuts, pinches, and all leads are fully inserted in their connectors.
- Replace the membrane and/or the thumb control switches.

Flowchart: Error 16



Error 18: Membrane Fault – Stuck Thumb Control

Cause:

Membrane is showing a thumb control key constantly activated for >45 seconds, regardless of mode.

Service:

If this was a momentary glitch or user error, cycling power will remedy the situation. If a key is permanently stuck, the error will reoccur and the membrane will have to be replaced.

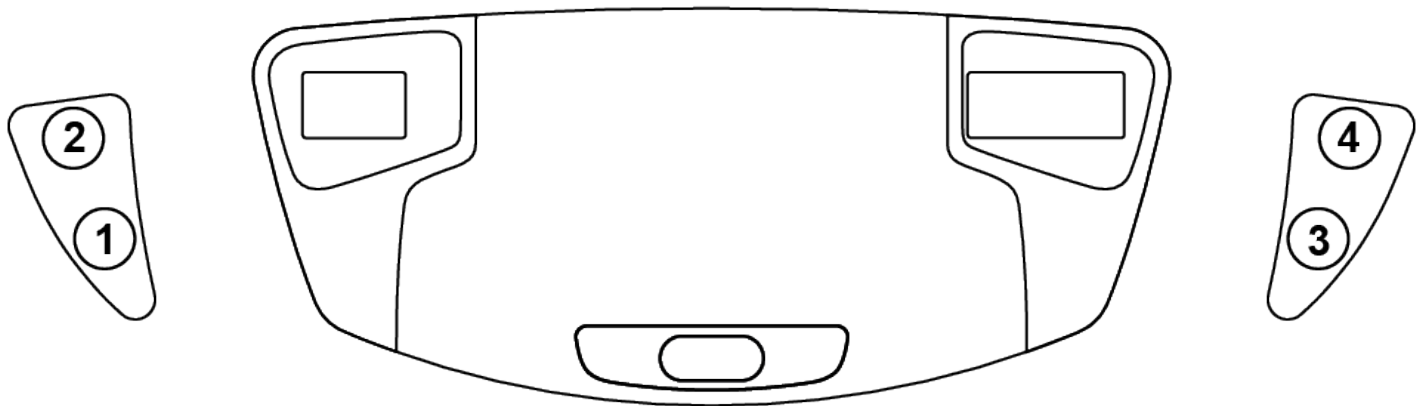
- Check the membrane and thumb controls for signs of fatigue, cracking, or possible moisture intrusion.
- Ensure the membrane connector is fully seated.
- Inspect the membrane cable for cuts, pinches, and all leads are fully inserted in their connectors.
- Replace the membrane and/or the thumb control switches.

Key list

Left and Right controls

Key	Description
1	Incline Down or Resistance Down
2	Incline Up or Resistance Up
3	Speed Down or Resistance Down
4	Speed Up or Resistance Up

Thumb controls membrane



Error 19: Drive Enable Line is open

Cause:

The Drive is reporting the enable line (used for E-Stop) is open by clearing bit 4 of the status byte, when the MCC is not sensing the key is out.

Service:

Intermittent connection in the console cable is the most likely suspect.

- Inspect each connection in this cable for loose terminals, unseated connectors, or pinched or abraded wires.
- Power outages are also suspect, either at the utility or anywhere from the panel to the treadmill (power cord, treadmill's inlet or power switch, floor/wall outlet, etc.)
- If these are in good shape, monitoring the power over a week's time may prove beneficial.
- If the available power is not the issue, the drive itself or related cabling should be inspected and/or replaced.

Error 92: Over Current (Output)


Cause:

The drive has several overcurrent situations that can cause this:

- >25A Instantly
- >200% Rated for 3 seconds (roughly 16A)
- >150% Rated for 1 minute (roughly 12A)
- >Rated for a thermal integrator, calculated time (variable) – (roughly =>8.1A)

Service:

- Verify line voltage isn't sagging.
- Check the belt/deck for wear.
- Check treadmill for physical obstructions, seized bearings, etc.
- Investigate actual line current with various weight users. Determine user weight, speed and incline when error occurred.
- If the belt is sluggish to start, can be push-started in reverse, or the motor howls, the motor has a phase out and requires replacing the motor.

 **NOTE:** If the error codes have been cleared and an error 92 comes back immediately there may be a hard set error 92. Try swapping the drive controller to another unit and verify if the error follows. If this is the case, the drive controller would have to be replaced.

Error 93: Over Voltage (DC Link)

Cause:

Drive's internal boost circuit is reporting >400V DC on the bus.

Service:

- Verify line voltage isn't spiking.
- Check the treadmill's internal AC wiring.
- Verify correct voltage controller is used with regard to power at the outlet.
- Replace the Drive controller if the error continues.

Error 94: Over Heat (Heatsink)

Cause:

Drive is reporting an internal temperature of 105°C

Service:

- Verify the drive's fan is functional, unclogged, and the heat sink vanes are clear of debris.
- Verify controller is secured to the mounting plate tightly.
- Inquire on conditions in which the unit generated the error condition (user weight, speed, incline, etc.)
- Vacuum or blow out accumulated debris in the motor pan and around the drive.

Error 95: Low Voltage (DC Link)

Cause:

Input voltage drops to unacceptable limits:

- <200V for the 230V unit
- <85V for the 115V unit

Service:

Error 95 is caused by a power outage while the belt is moving, either on purpose (running the treadmill to incline it, then shutting it off with the power switch) or by an outside influence (plug was kicked, loose fitting outlet, power outage, circuit breaker tripped, or simply shutting of the power at the breaker).

- Verify the input voltage is correct for the controller used.
- Monitor input voltage for brown-outs and sags.
- Make sure the treadmill is on a dedicated circuit.

More than likely, power was interrupted during use and the treadmill itself has nothing wrong with it.

Error 96: Thermal Integrator of output current

Cause:

The drive has several over-current situations that can cause this:

- >200% Rated for 3 seconds (roughly 16A)
- >150% Rated for 1 minute (roughly 12A)
- >101% Rated for accumulated time (roughly =>8.1A)

Service:

- Check drive's cooling fan and heat sink for clogs.
- Verify line voltage isn't sagging.
- Check the belt/deck for wear.
- Check treadmill for physical obstructions, seized bearings, etc.
- Investigate actual line current with various weight users. Determine user weight, speed and incline when error occurred.

Error 98: Display Communication Lost – Belt speed zero

Cause:

The drive did not see valid communication response from the display for >400ms while the belt is NOT moving.

Service:

- Make sure the Drive Controller software is revision 1.30 (or higher).
- Check the console cable, hub board, and hub board cable for tears or shorts, and verify all connections are clicked-in and solid.
- Check for terminal corrosion.
- Check drive and display communications with the Cybex test protocol software on a laptop.
- Reprogram the console or replace the display board.

Error 99: Display Communication Lost – Belt moving

Cause:

The drive did not see valid communication response from the display for >400ms while the belt was moving.

Service:

- Check the console cable, hub board, and hub board cable for tears or shorts, and verify all connections are clicked-in and solid.
- Check for terminal corrosion.
- Check drive and display communications with the Cybex test protocol software on a laptop.
- Reprogram the console or replace the display board.

Error 103: Input Current OC trip (Drives with PFC only)

Cause:

Drive is measuring a surge in input current.

- 110 VAC: Drive is measuring >80A peak on the input line.
- 220 VAC: Drive is measuring >40A peak on the input line.

Service:

Most likely due to lightning, power surges, brown-outs, poor power grid quality or local generator supply (off grid).

- Check for loose connections:
 - Outlet
 - Power connection at the power cord inlet under the treadmill
 - Power connection at the drive
- Verify the belt/deck/rollers are serviceable and replace if necessary.
- Replace the motor controller

Error 105: Thermal Integrator of Input Current (Drives with PFC only)

Cause:

The drive is measuring the heating effect of high input current.

- 110 VAC: $\geq 23A$ starts the timer, 43A / 18 seconds based on I^2C
- 220 VAC: $\geq 12.5A$ starts the timer, 25A / 18 seconds based on I^2C

Service:

- Verify line voltage isn't sagging.
- Check the belt/deck for wear.
- Check treadmill for physical obstructions, seized bearings, etc.
- Investigate actual line current with various weight users. Determine user weight, speed and incline when error occurred.

Error 140: Can not find home position on power-up

Cause:

The Drive Controller did not encounter the incline zero switch within timed limits on power-up. The treadmill will function normally, with the incline disabled. The display will shut down power to the incline motor, and show dashes for incline until the drive has made a satisfactory calibration.

Service:

Note that V1.26 and later drive controller software improve the Error 140 conditions.

- Ensure the 50Hz/60Hz selection in Setup is correct for the line frequency used.
- Check the incline motor for binding, functioning cam/switch, and wiring.
- Verify the switch activates at 0% Grade.
- *Calibrate incline motor.*

Error 141: Can not find home position in normal use

Cause:

Drive expected to find the switch transition within timed limits, or encountered it unexpectedly. The display will shut down power to the elevation motor, and show dashes for incline until the drive has made a satisfactory calibration.

Service:

Note that V1.26 and later drive controller software improve the Error 141 conditions.

- Check the 0% switch setting
- Check gear motor wiring
- Check correct voltages and frequency settings
- Check continuity on the elevation motor by making sure there is 20 Ohms resistance between the following two wires:
 - Red and White
 - Blue and White

Error 142: Out of incline range (over 15% or lower than -3%)

Cause:

The Drive Controller encountered the zero switch when outside of expected limits. The display will shut down power to the elevation motor, and show dashes for incline until the drive has made a satisfactory calibration.

Service:

- Check the 0% switch setting
- Check gearmotor wiring
- Check correct voltages and frequency settings

Error 150: Out of SpeedRange (over 150hz)



Cause:

Target speed >150Hz. Console is either sending a false speed value, or the value or data transfer is corrupt.

Service:

The display software is suspect. If this occurs, contact [Cybox Customer Service](#) immediately. The best course of action is to upgrade the display software with the most up to date revision, either by replacing the display board or upgrading the existing board.

Exit error log

Exit Set Up Mode by tapping the **Toolbox**  icon, then tap the **Home** icon . The screen will refresh.

Software Update 770T

Software can ONLY be installed on the model it is designed for. Do NOT install this software on other Arc Trainers, Bikes, or Treadmills.

Tools Required

- USB stick (CP-23199)
- Phillips screwdriver

NOTICE

Repairs and Service

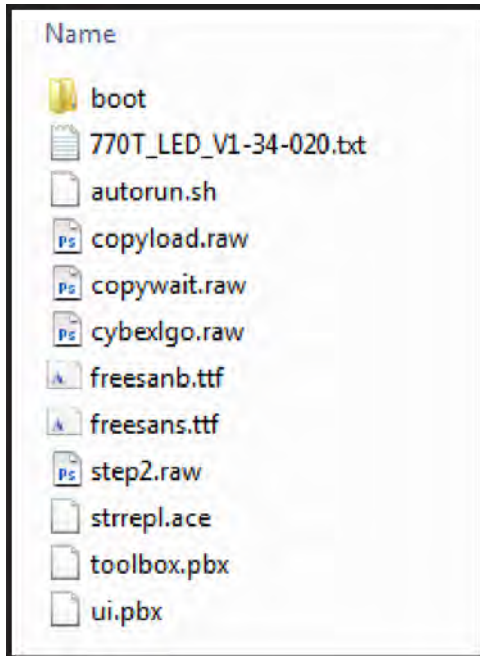
- DO NOT load zip files onto USB stick
- Load un-zipped files onto USB stick
- DO NOT remove USB stick during upload procedure
- Power must remain on during upload procedure
- DO NOT press any keys on console during upload procedure

Prepare USB stick

1. Plug USB stick into PC.
2. Delete any files on USB stick.
Verify USB stick is blank.
3. Go to the [LF World](#) service product pages for the latest software files or contact Cybox Customer Service at 508-533-4300 to receive via email.

4. Unzip file to a folder on PC.
Zip file contains the following files:
 - Folder labeled “boot”
 - Empty text file with model name of product
 - Other single files

Example of folder contents

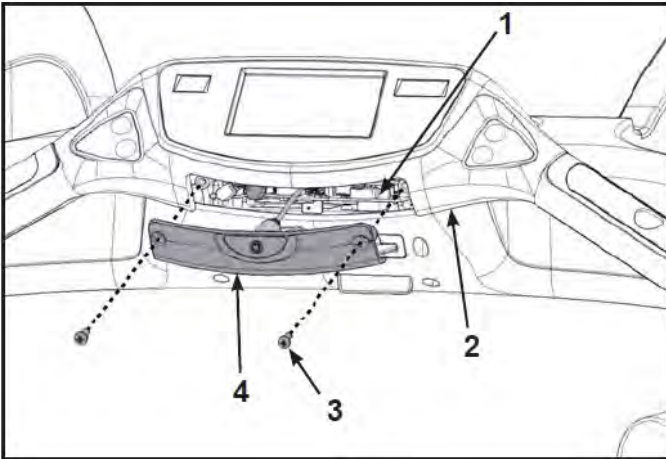


5. Copy the “boot” folder and other files to USB stick.
DO NOT copy zip file to USB stick.
6. Perform both procedures for internal and external USB ports.

Install software through internal USB port

1. Toggle the on/off (I/O) power switch to the off (O) position. The on/off (I/O) power switch is located under the front end of the unit, or on the front right side panel.

- Remove the two screws securing the headphone jack cover to the handset using a Phillips screwdriver.



Item	Description	Qty.
1	Internal USB Port	1
2	Handset	1
3	Screws	2
4	Headphone Jack Cover	1

- Insert USB stick into the internal USB port.
- Toggle the power switch on (I).

NOTICE

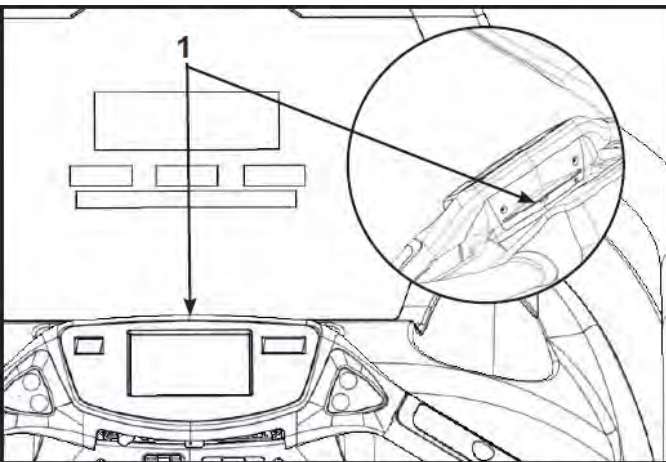
Console damage may occur. Do NOT turn the power off, press any keys, or remove the USB stick during this procedure.

The software will load into the console. This procedure will take approximately 3 minutes. During this time there will be beeping noises from the console. When the upload is complete, the display will show [re][bot].

- Toggle the power switch off (O).
- Remove USB stick from internal USB port.

Install software through external USB port

- Insert USB stick into the external USB port.



Item	Description	Qty.
1	External USB port	1

- Toggle the power switch on (I).

NOTICE

Console damage may occur. Do NOT turn the power off, press any keys, or remove the USB stick during this procedure.

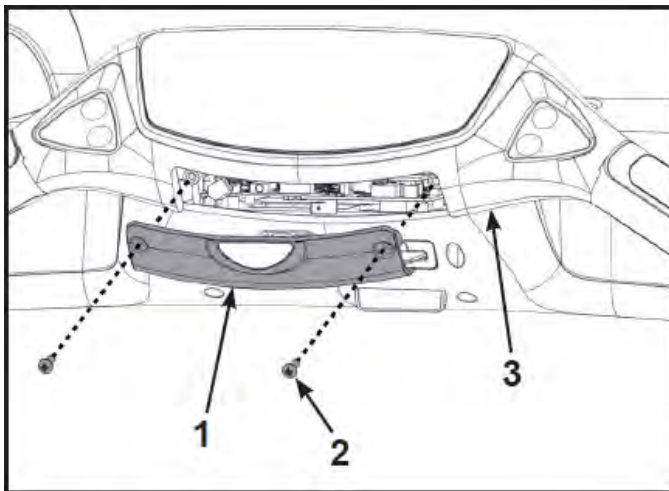
The software will load into the console. This procedure may take up to 4 minutes. During the first two minutes the screen will be blank and not show any progress. Do NOT turn the power off, press any keys, or remove the USB stick.

After the initial period, the screen will display **Loading** and **Please wait**. This procedure may take up to 2 minutes. When the upload is complete, the display will return to the home screen.

- Toggle the power switch off (O).
- Remove USB stick from external USB port.

Install access cover

Install the two screws securing the access cover to the handset using a Phillips screwdriver.




Item	Description	Qty.
1	Access Cover	1
2	Screws	2
3	Handset	1




Complete update

- Verify the power cord is not being pinched under the front of the treadmill.
- Toggle power switch on (I).
- Operate unit at all levels to verify proper operation.

Calibration

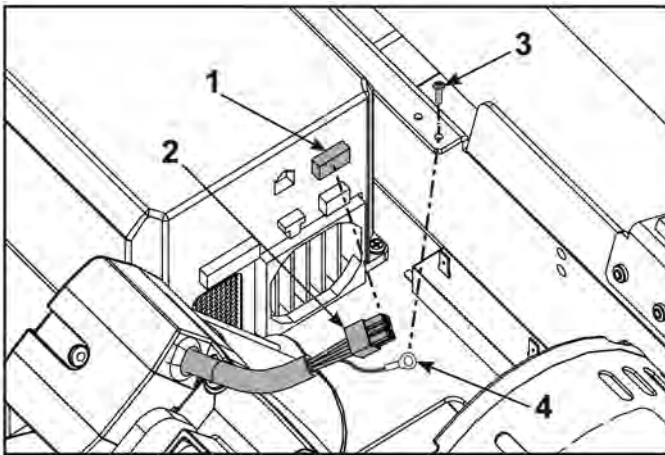
Calibrate CardioTouch screen

- Tap the **Access Toolbox** icon to display the **Access to Toolbox** login screen.
- Enter the sequence:     .
- Tap the **OEM Diags** icon, then the **Touch Test** icon.

4. Touch the CardioTouch screen to display cross hairs. If the CardioTouch screen is not calibrated, the cross hairs will not line up where the touch is made.
5. Tap the  icon to return to the **Diagnostics** screen.
6. Tap the **Touch Cal** icon.
7. Tap the targets in each of the four corners of the CardioTouch screen as indicated.
8. Exit Set Up Mode by tapping the **Toolbox**  icon, then tap the **Home** icon . The screen will refresh.

Calibrate Incline motor 770T

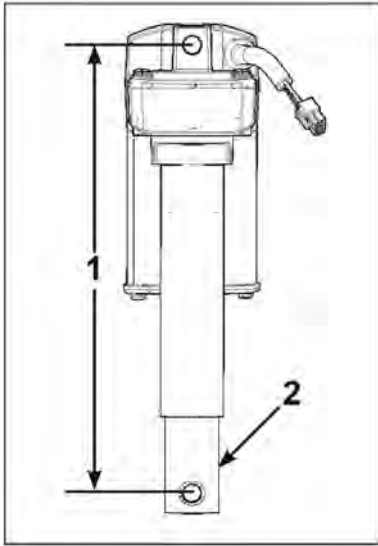
1. Plug the incline motor cable into the motor controller connector.



Item	Description	Qty.
1	Motor Controller Connector	1
2	Incline Motor Cable	1
3	Ground Wire Screw	1
4	Ground Wire	1

2. Install the ground wire screw securing the ground wire using a Phillips screwdriver.
3. Connect the main power cord into the power outlet.
4. Turn the main power switch to the on (I) position.
The incline motor will now rotate to find the zero percent position.
5. Wait for the incline motor to stop turning.

- Turn the tube nut with your fingers until it measures the correct center to center length. This length is measured from the center of the top hole to the center of the bottom hole.

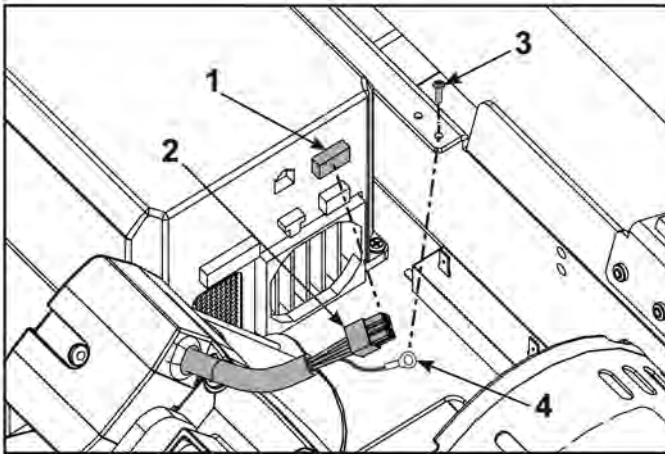


Item	Description	Qty.
1	Center to center length	11.75" (29.8 cm)
2	Tube Nut	1

- Unplug the power cord from the power outlet.

Calibrate Incline motor 790T

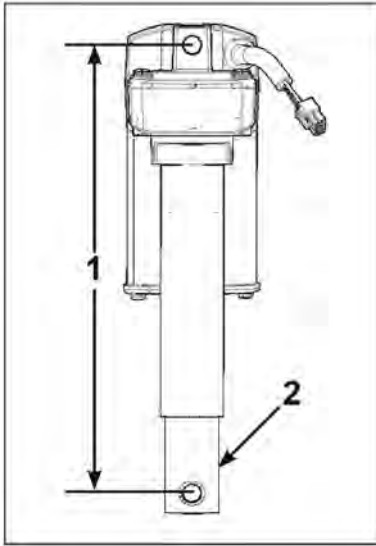
- Plug the incline motor cable into the motor controller connector.



Item	Description	Qty.
1	Motor Controller Connector	1
2	Incline Motor Cable	1
3	Ground Wire Screw	1
4	Ground Wire	1

- Install the ground wire screw securing the ground wire using a Phillips screwdriver.
- Connect the main power cord into the power outlet.
- Turn the main power switch to the on (I) position.
The incline motor will now rotate to find the zero percent position.
- Wait for the incline motor to stop turning.

- Turn the tube nut with your fingers until it measures the correct center to center length. This length is measured from the center of the top hole to the center of the bottom hole.



Item	Description	Qty.
1	Center to center length	13.7" (34.8 cm)
2	Tube Nut	1

- Unplug the power cord from the power outlet.

Parts Replacement

Base Assembly

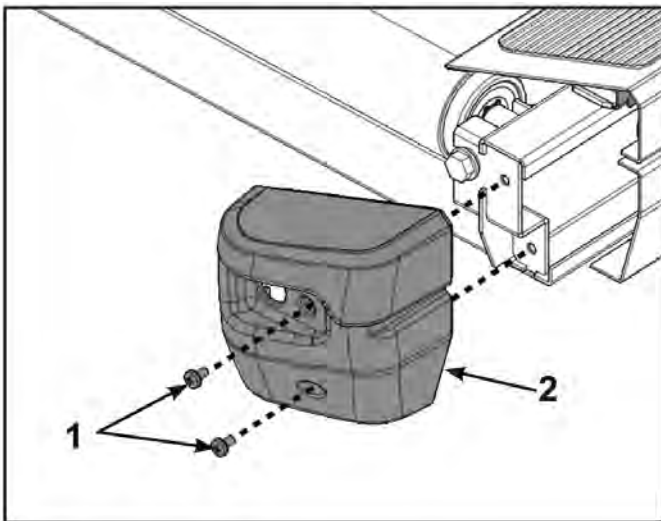
End Caps

Tools Required:

- Phillips screwdriver

Remove end caps

- Remove two screws securing right end cap using a Phillips screwdriver.

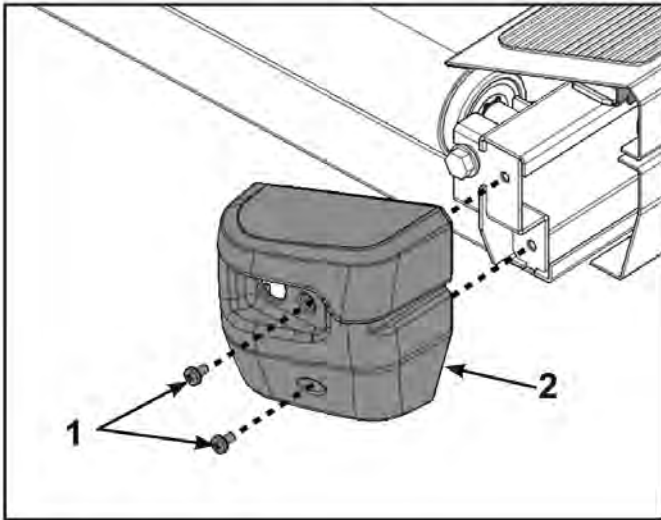


Item	Description	Qty.
1	Screws	2
2	Right end cap	1

- Repeat step for left end cap.

Install end caps

1. Install two screws securing right end cap using a Phillips screwdriver.



Item	Description	Qty.
1	Screws	2
2	Right end cap	1

2. Repeat step for left end cap.

Complete Installation

Operate the unit at all levels to verify proper operation.

Top Steps

Tools Required:

- Phillips screwdriver
- Long 3/8" drive socket extension

Disconnect power source

1. Toggle the on/off (I/O) power switch to the off (O) position. The on/off (I/O) power switch is located under the front end of the unit, or on the front right side panel.
2. Unplug the treadmill from the power outlet.

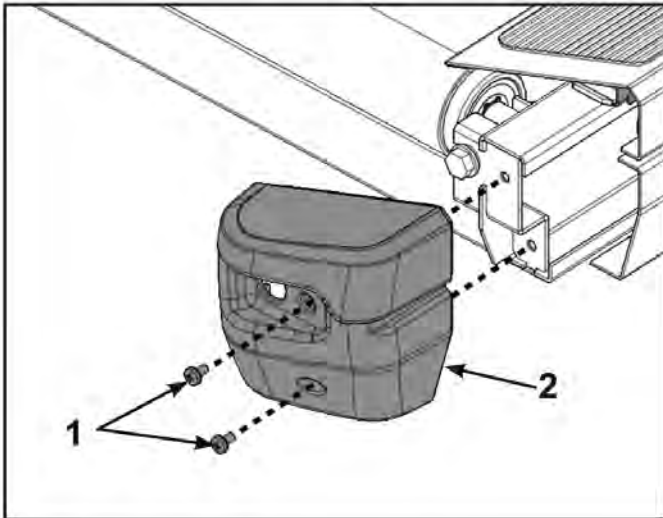
⚠️ WARNING

Shock and electrocution hazard.

- Unplug unit and let sit 10 minutes before cleaning or performing maintenance.
- Electrical charge can remain in unit after unplugging.
- Keep water and liquids away from electrical parts.

Remove end caps

1. Remove two screws securing right end cap using a Phillips screwdriver.

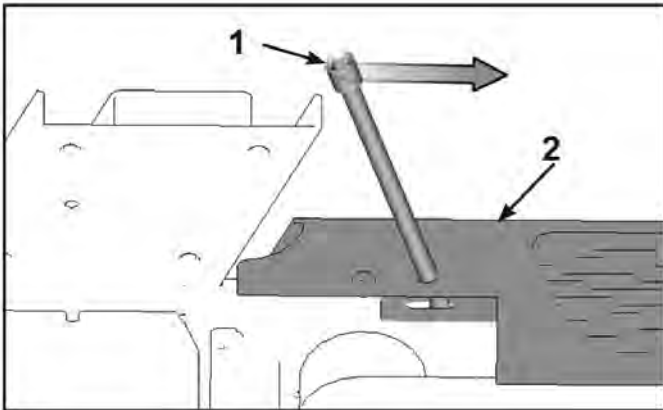


Item	Description	Qty.
1	Screws	2
2	Right end cap	1

2. Repeat step for left end cap.

Remove top steps

1. Remove the right top step by inserting a long 3/8" drive socket extension into the right top step and prying backwards.

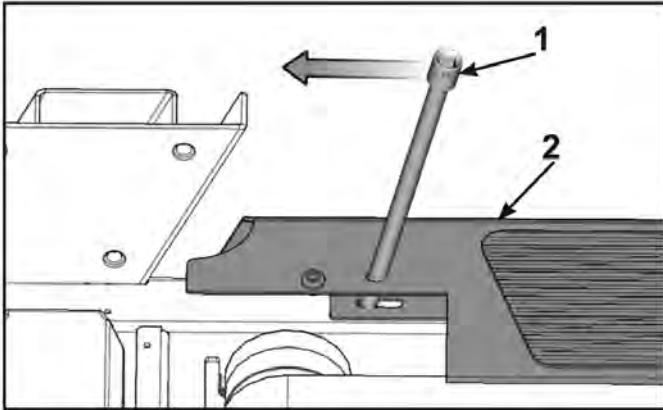


Item	Description	Qty.
1	3/8" Drive Socket Extension	1
2	Right Top Step	1

2. Remove right top step.
3. Repeat steps 1 and 2 for left top step.

Install top steps

1. Install right top step by placing in position and inserting a long 3/8" drive socket extension into top step.

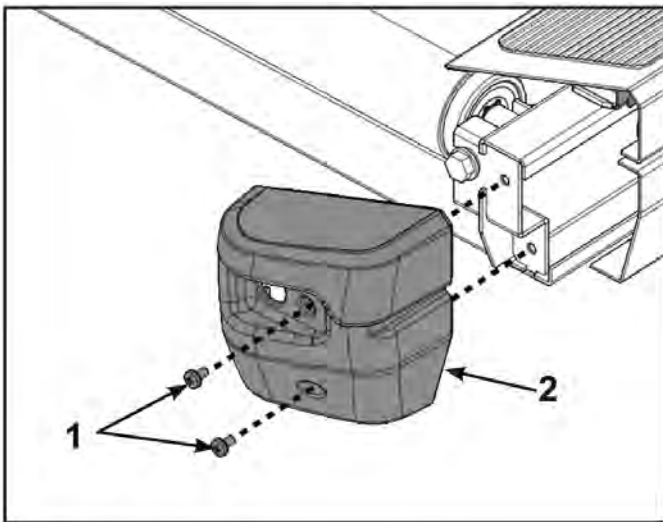


Item	Description	Qty.
1	3/8" Drive Socket Extension	1
2	Right Top Step	1

2. Pry the long 3/8" drive socket extension forwards to secure right top step.
3. Repeat steps 1 and 2 for left top step.

Install end caps

1. Install two screws securing right end cap using a Phillips screwdriver.



Item	Description	Qty.
1	Screws	2
2	Right end cap	1

2. Repeat step for left end cap.

Complete installation

1. Plug the power cord into the power outlet.
2. Verify the power cord is not being pinched under the front of the treadmill.
3. Operate the unit at all levels to verify proper operation.

Rear Roller

Tools Required:

- Phillips screwdriver
- Long 3/8" drive socket extension
- 3/4" Socket wrench
- 9/16" Socket wrench

Disconnect power source

1. Toggle the on/off (I/O) power switch to the off (O) position. The on/off (I/O) power switch is located under the front end of the unit, or on the front right side panel.
2. Unplug the treadmill from the power outlet.

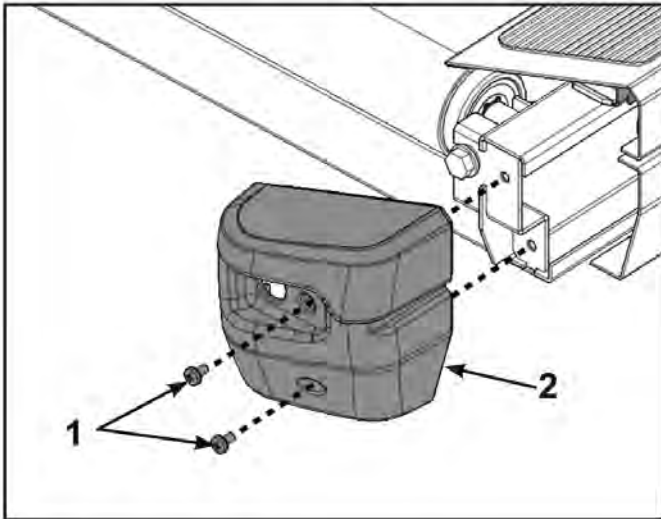
⚠ WARNING

Shock and electrocution hazard.

- Unplug unit and let sit 10 minutes before cleaning or performing maintenance.
- Electrical charge can remain in unit after unplugging.
- Keep water and liquids away from electrical parts.

Remove end caps

1. Remove two screws securing right end cap using a Phillips screwdriver.

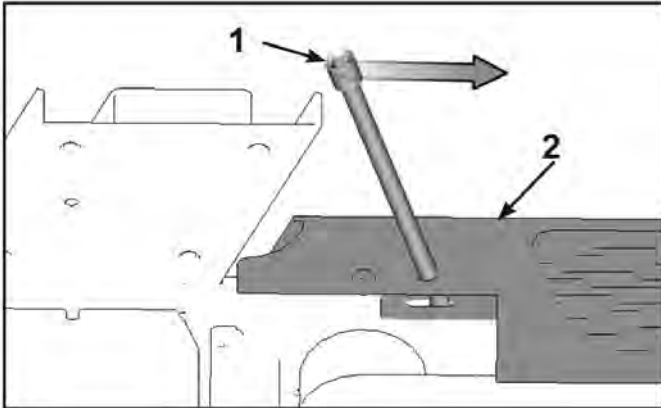


Item	Description	Qty.
1	Screws	2
2	Right end cap	1

2. Repeat step for left end cap.

Remove top steps

1. Remove the right top step by inserting a long 3/8" drive socket extension into the right top step and prying backwards.

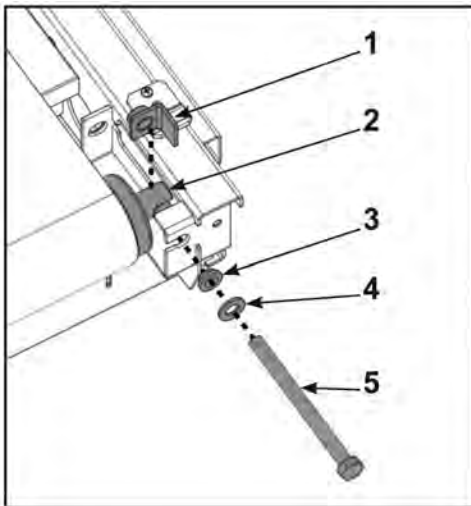


Item	Description	Qty.
1	3/8" Drive Socket Extension	1
2	Right Top Step	1

2. Remove right top step.
3. Repeat steps 1 and 2 for left top step.

Remove rear roller

1. Remove the two rear roller bolts, washers, bushing and rear roller nut (one roller bolt on each side) using a 3/4" Socket wrench. Loosen each bolt evenly, making sure not to loosen either bolt too many turns before moving to the other bolt.



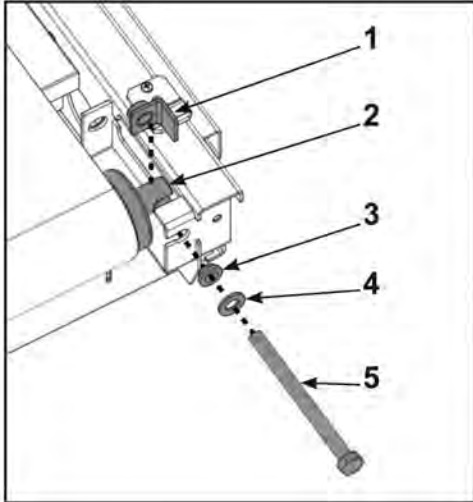
Item	Description	Qty.
1	Rear roller nut	1
2	Rear roller	1
3	Bushing	1
4	Washer	1
5	Bolt	1

2. Lift one side of the rear roller and slide the roller out of the running belt.

Install rear roller

1. Slide the rear roller into the running belt.

- Install the bolt, washer, bushing and rear roller nut for each side of the roller into position.

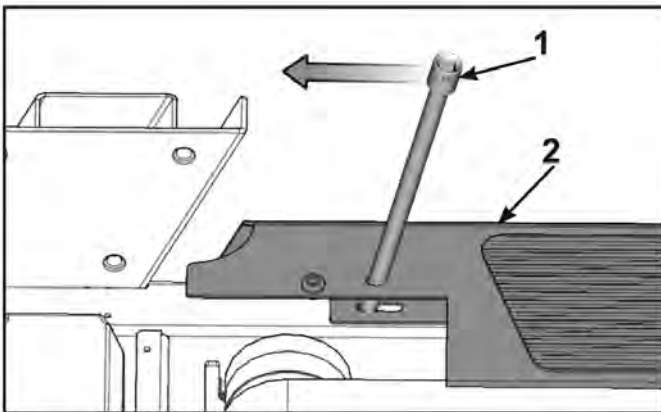


Item	Description	Qty.
1	Rear roller nut	1
2	Rear roller	1
3	Bushing	1
4	Washer	1
5	Bolt	1

- Tighten the two rear roller bolts using a 3/4" Socket wrench. Tighten each bolt evenly, making sure not to tighten either bolt too many turns before moving to the other bolt.
- Continue to tighten bolts until the front roller is all the way back in the tensioning slots.
- Tighten the front roller bolts using a 9/16" Socket wrench.

Install top steps

- Install right top step by placing in position and inserting a long 3/8" drive socket extension into top step.

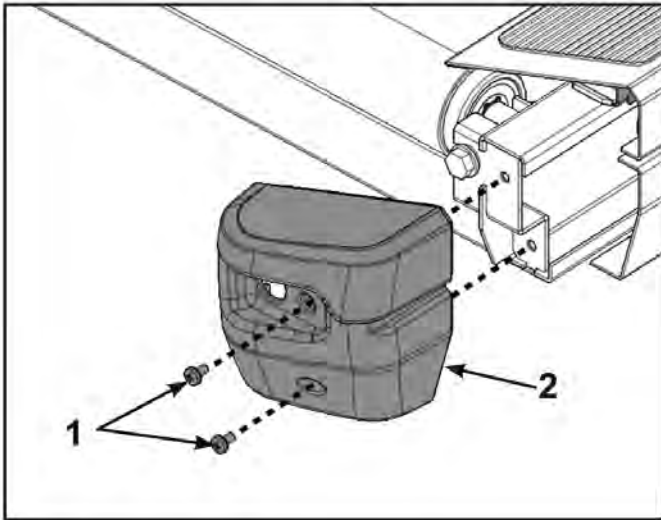


Item	Description	Qty.
1	3/8" Drive Socket Extension	1
2	Right Top Step	1

- Pry the long 3/8" drive socket extension forwards to secure right top step.
- Repeat steps 1 and 2 for left top step.

Install end caps

1. Install two screws securing right end cap using a Phillips screwdriver.

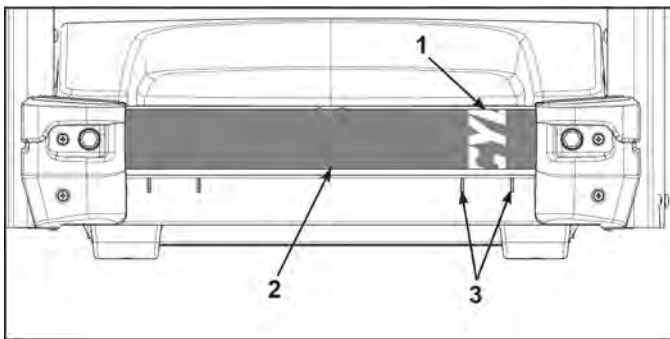


Item	Description	Qty.
1	Screws	2
2	Right end cap	1

2. Repeat step for left end cap.

Center and tension the running belt

1. Plug the power cord into the power outlet.
2. Turn the main power switch to the on (I) position.
3. Tap the **Quick Start** icon.
4. Press the **Speed +** key to bring the speed up to 5 mph (8 kph). Allow the treadmill to run for a minute. The lateral position of the running belt is correctly centered when the Cybex logo is centered between the inside edges of the two belt tracking slots. If the Cybex logo is not centered between the belt tracking slots, center the running belt with the following procedure.
5. Observe the Cybex logo position relative to the belt tracking slots with the treadmill running at 5 mph (8 kph).

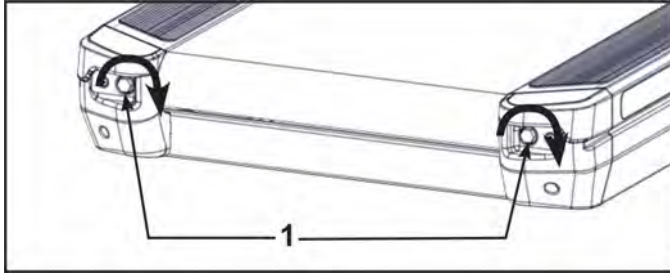


Item	Description	Qty.
1	Cybex logo	1
2	Running belt	1
3	Belt tracking slot	4

While centering the running belt choose one bolt to adjust. Do not adjust both bolts.

6. Tighten the rear roller bolt on the side of the treadmill toward which the running belt is moving using a 3/4" socket wrench.

For example: If the running belt moves to the right of the belt tracking slots, tighten the bolt on the right side of the frame, tighten about 1/2 of a turn (clockwise) and wait 30 seconds. If the running belt does not move back to the center of the belt tracking slots, make another adjustment to the same bolt. Once the running belt has been adjusted closer to the center of the belt tracking slots, use about 1/4 of a turn until the running belt has been stabilized.



Item	Description	Qty.
1	Rear roller bolt	2

7. Check the belt tension after the running belt has been centered. Make sure the running belt tension is tight enough so that the running belt does not slip or hesitate when stepped on. Walk on the treadmill at 3.5 - 4 mph (5.6 - 6.4 kph) and every 4th to 5th step throw your weight into your step to feel if the running belt is slipping. If slipping is felt, confirm it is the running belt slipping and not the drive belt. With the hood cover removed, observe movement at the drive belt and front roller.

Do not over tighten the running belt. Over tightening the running belt can cause the belt to stretch and require replacement. Continue procedure until running belt stops slipping.

8. Check running belt for centering position. If running belt is not centered, perform steps 5 and 6.

Complete installation

1. Plug the power cord into the power outlet.
2. Verify the power cord is not being pinched under the front of the treadmill.
3. Operate the unit at all levels to verify proper operation.

Front Roller

Tools Required:

- Phillips screwdriver
- Long 3/8" drive socket extension
- 3/4" Socket wrench
- 9/16" Socket wrench

Disconnect power source

1. Toggle the on/off (I/O) power switch to the off (O) position. The on/off (I/O) power switch is located under the front end of the unit, or on the front right side panel.

- Unplug the treadmill from the power outlet.

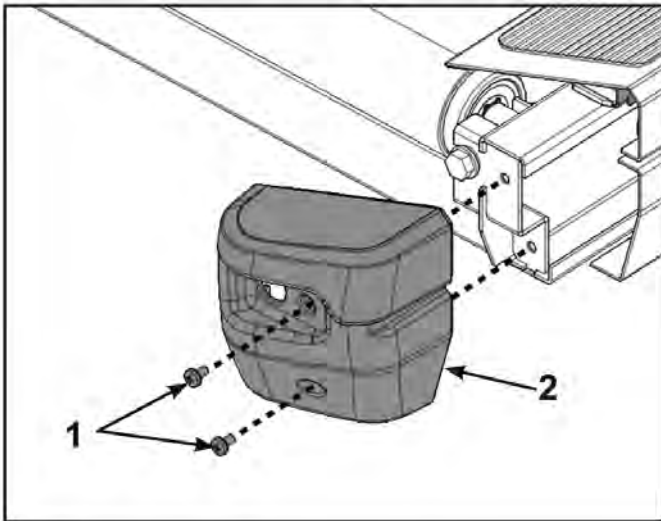
⚠️ WARNING

Shock and electrocution hazard.

- Unplug unit and let sit 10 minutes before cleaning or performing maintenance.
- Electrical charge can remain in unit after unplugging.
- Keep water and liquids away from electrical parts.

Remove end caps

- Remove two screws securing right end cap using a Phillips screwdriver.

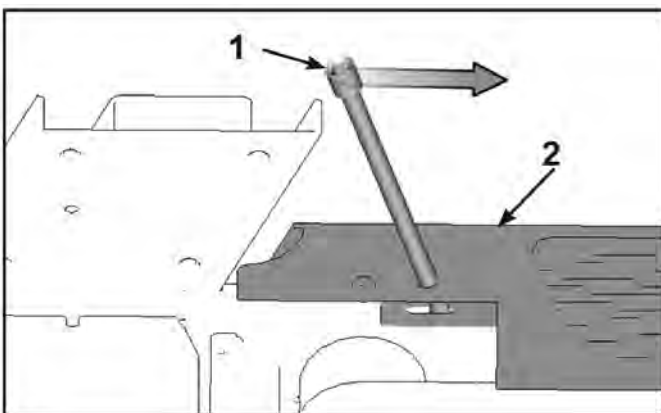


Item	Description	Qty.
1	Screws	2
2	Right end cap	1

- Repeat step for left end cap.

Remove top steps

- Remove the right top step by inserting a long 3/8" drive socket extension into the right top step and prying backwards.



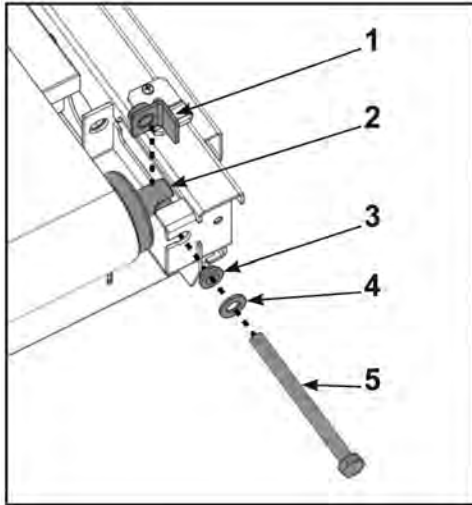
Item	Description	Qty.
1	3/8" Drive Socket Extension	1
2	Right Top Step	1

- Remove right top step.
- Repeat steps 1 and 2 for left top step.

Remove rear roller

1. Remove the two rear roller bolts, washers, bushing and rear roller nut (one roller bolt on each side) using a 3/4" Socket wrench.

Loosen each bolt evenly, making sure not to loosen either bolt too many turns before moving to the other bolt.

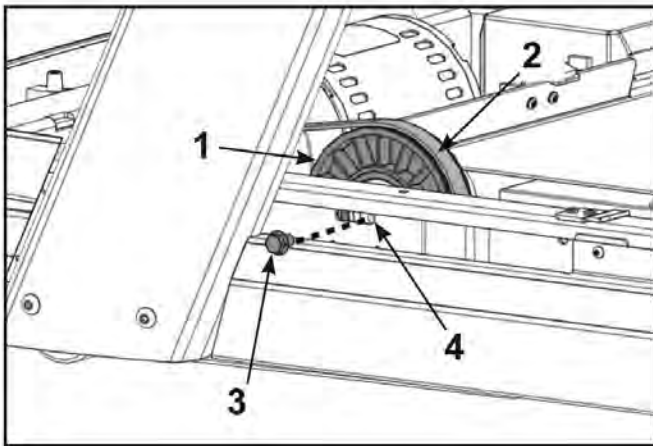


Item	Description	Qty.
1	Rear roller nut	1
2	Rear roller	1
3	Bushing	1
4	Washer	1
5	Bolt	1

2. Lift one side of the rear roller and slide the roller out of the running belt.

Remove front roller

1. Loosen the left mounting bolt using a 9/16" Socket wrench.



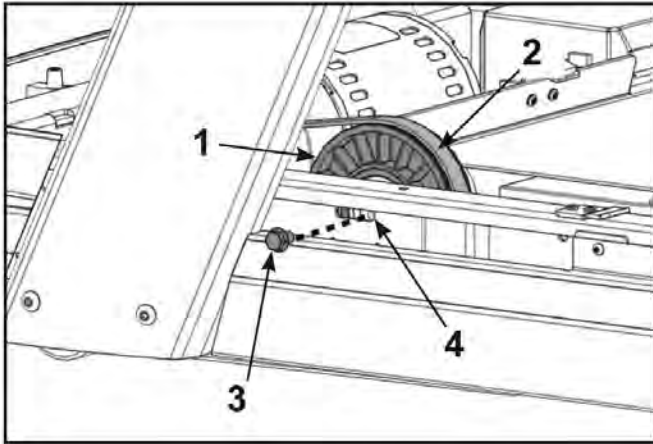
Item	Description	Qty.
1	Front roller	1
2	Drive belt	1
3	Mounting bolt	1
4	Tensioning slot	1

2. Loosen the right mounting bolt using a 9/16" Socket wrench.
3. Remove both mounting bolts.
4. Slide the drive belt off of the front roller and remove the front roller.

Install front roller

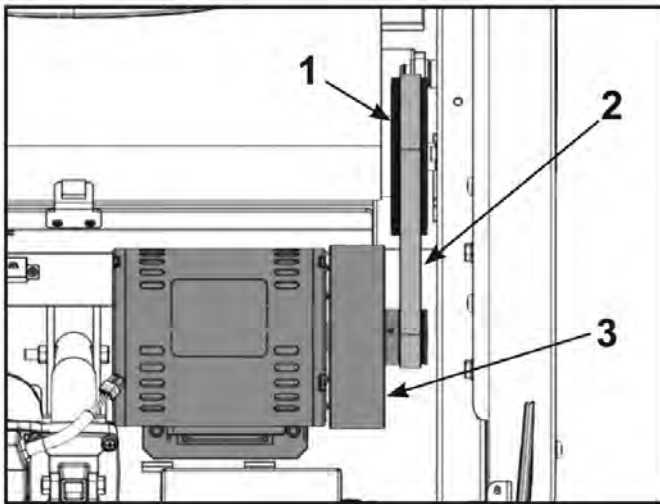
1. Slide the front roller into the running belt.

- Slide the drive belt around the front roller before attaching the front roller.



Item	Description	Qty.
1	Front roller	1
2	Drive belt	1
3	Mounting bolt	1
4	Tensioning slot	1

- Install the two roller bolts that fasten the front roller to the frame. Do not tighten the bolts at this time. Ensure that the drive belt is aligned properly in the grooves on the drive motor pulley and front roller pulley. The drive belt should be positioned in the inner most groove of the drive motor pulley.

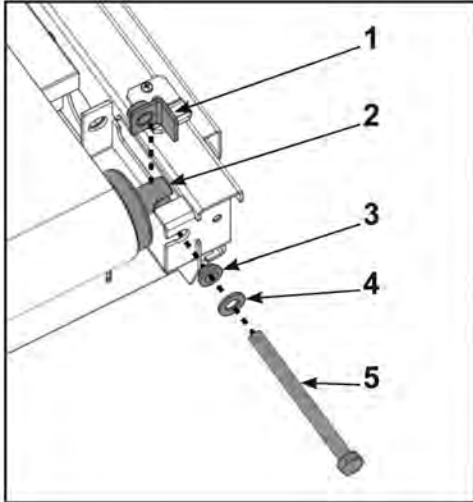


Item	Description	Qty.
1	Front Roller Pulley	1
2	Drive belt	1
3	Drive Motor Pulley	1

Install rear roller

- Slide the rear roller into the running belt.

2. Install the bolt, washer, bushing and rear roller nut for each side of the roller into position.

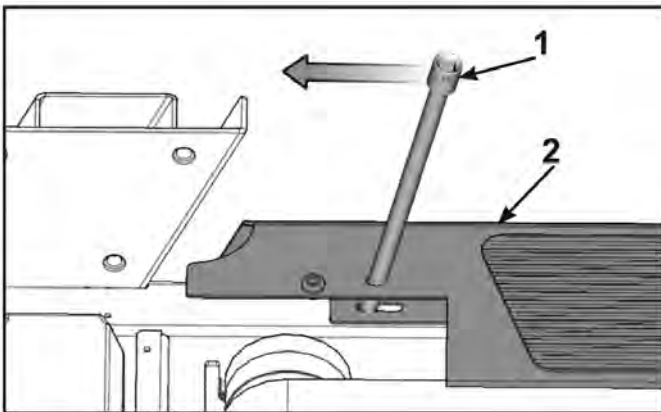


Item	Description	Qty.
1	Rear roller nut	1
2	Rear roller	1
3	Bushing	1
4	Washer	1
5	Bolt	1

3. Tighten the two rear roller bolts using a 3/4" Socket wrench. Tighten each bolt evenly, making sure not to tighten either bolt too many turns before moving to the other bolt.
4. Continue to tighten bolts until the front roller is all the way back in the tensioning slots.
5. Tighten the front roller bolts using a 9/16" Socket wrench.

Install top steps

1. Install right top step by placing in position and inserting a long 3/8" drive socket extension into top step.

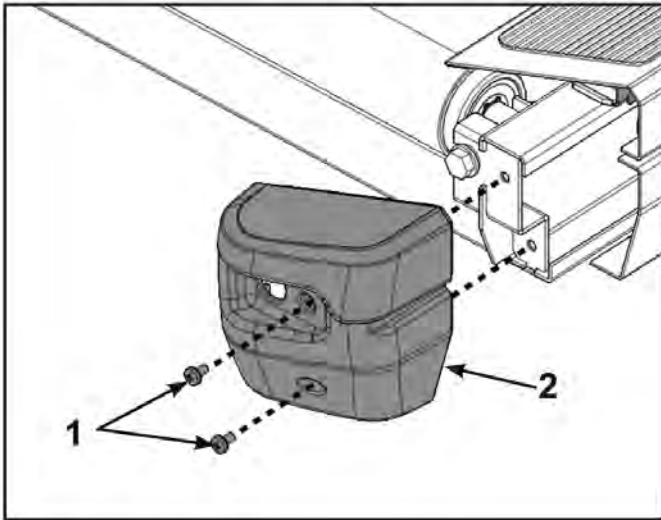


Item	Description	Qty.
1	3/8" Drive Socket Extension	1
2	Right Top Step	1

2. Pry the long 3/8" drive socket extension forwards to secure right top step.
3. Repeat steps 1 and 2 for left top step.

Install end caps

1. Install two screws securing right end cap using a Phillips screwdriver.

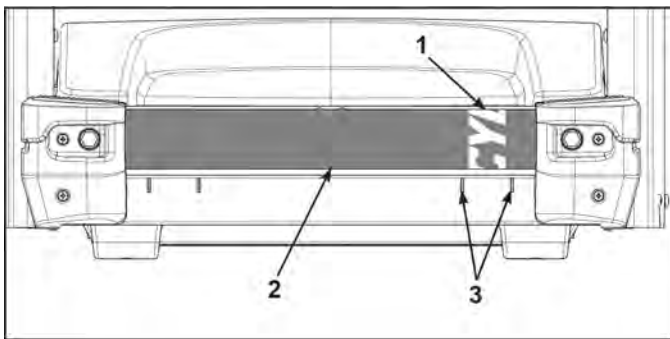


Item	Description	Qty.
1	Screws	2
2	Right end cap	1

2. Repeat step for left end cap.

Center and tension the running belt

1. Plug the power cord into the power outlet.
2. Turn the main power switch to the on (I) position.
3. Tap the **Quick Start** icon.
4. Press the **Speed +** key to bring the speed up to 5 mph (8 kph). Allow the treadmill to run for a minute. The lateral position of the running belt is correctly centered when the Cybex logo is centered between the inside edges of the two belt tracking slots. If the Cybex logo is not centered between the belt tracking slots, center the running belt with the following procedure.
5. Observe the Cybex logo position relative to the belt tracking slots with the treadmill running at 5 mph (8 kph).

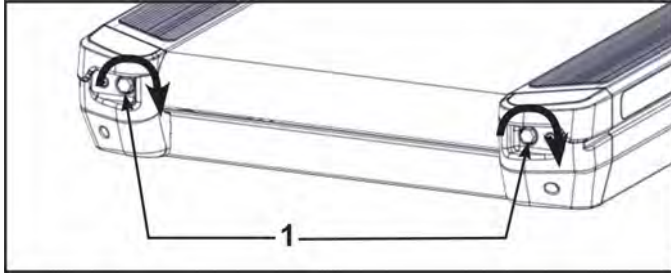


Item	Description	Qty.
1	Cybex logo	1
2	Running belt	1
3	Belt tracking slot	4

While centering the running belt choose one bolt to adjust. Do not adjust both bolts.

6. Tighten the rear roller bolt on the side of the treadmill toward which the running belt is moving using a 3/4" socket wrench.

For example: If the running belt moves to the right of the belt tracking slots, tighten the bolt on the right side of the frame, tighten about 1/2 of a turn (clockwise) and wait 30 seconds. If the running belt does not move back to the center of the belt tracking slots, make another adjustment to the same bolt. Once the running belt has been adjusted closer to the center of the belt tracking slots, use about 1/4 of a turn until the running belt has been stabilized.



Item	Description	Qty.
1	Rear roller bolt	2

7. Check the belt tension after the running belt has been centered. Make sure the running belt tension is tight enough so that the running belt does not slip or hesitate when stepped on. Walk on the treadmill at 3.5 - 4 mph (5.6 - 6.4 kph) and every 4th to 5th step throw your weight into your step to feel if the running belt is slipping. If slipping is felt, confirm it is the running belt slipping and not the drive belt. With the hood cover removed, observe movement at the drive belt and front roller.

Do not over tighten the running belt. Over tightening the running belt can cause the belt to stretch and require replacement. Continue procedure until running belt stops slipping.

8. Check running belt for centering position. If running belt is not centered, perform steps 5 and 6.

Complete installation

1. Plug the power cord into the power outlet.
2. Verify the power cord is not being pinched under the front of the treadmill.
3. Operate the unit at all levels to verify proper operation.

Running Deck

Tools Required:

- Phillips screwdriver
- Long 3/8" drive socket extension
- 5/32" Allen wrench
- 1/2" Socket wrench
- 7/16" Socket wrench
- 9/16" Socket wrench
- 3/4" Socket wrench

Disconnect power source

1. Toggle the on/off (I/O) power switch to the off (O) position. The on/off (I/O) power switch is located under the front end of the unit, or on the front right side panel.
2. Unplug the treadmill from the power outlet.

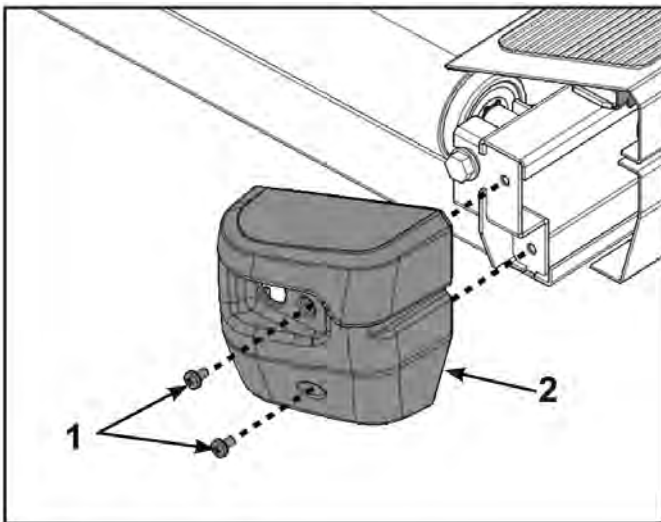
⚠️ WARNING

Shock and electrocution hazard.

- Unplug unit and let sit 10 minutes before cleaning or performing maintenance.
- Electrical charge can remain in unit after unplugging.
- Keep water and liquids away from electrical parts.

Remove end caps

1. Remove two screws securing right end cap using a Phillips screwdriver.

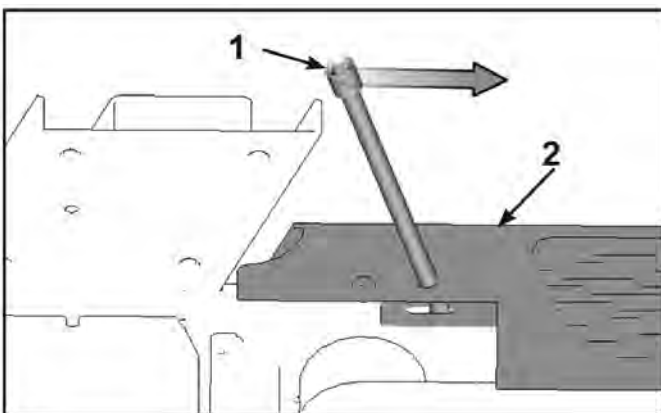


Item	Description	Qty.
1	Screws	2
2	Right end cap	1

2. Repeat step for left end cap.

Remove top steps

1. Remove the right top step by inserting a long 3/8" drive socket extension into the right top step and prying backwards.



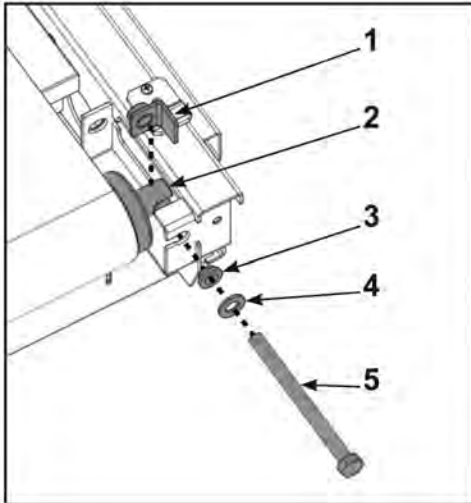
Item	Description	Qty.
1	3/8" Drive Socket Extension	1
2	Right Top Step	1

2. Remove right top step.

- Repeat steps 1 and 2 for left top step.

Remove rear roller

- Remove the two rear roller bolts, washers, bushing and rear roller nut (one roller bolt on each side) using a 3/4" Socket wrench.
Loosen each bolt evenly, making sure not to loosen either bolt too many turns before moving to the other bolt.

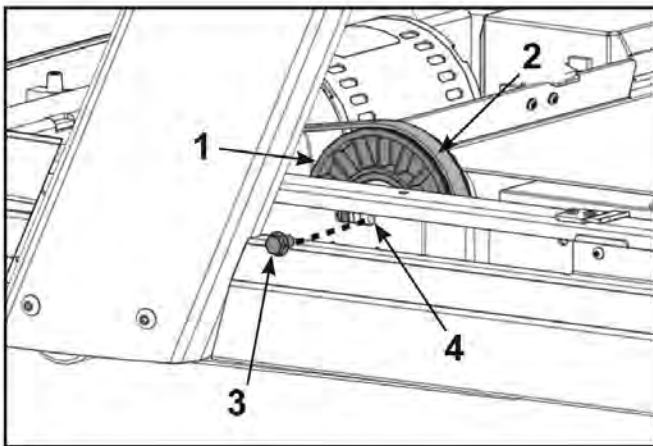


Item	Description	Qty.
1	Rear roller nut	1
2	Rear roller	1
3	Bushing	1
4	Washer	1
5	Bolt	1

- Lift one side of the rear roller and slide the roller out of the running belt.

Remove front roller

- Loosen the left mounting bolt using a 9/16" Socket wrench.

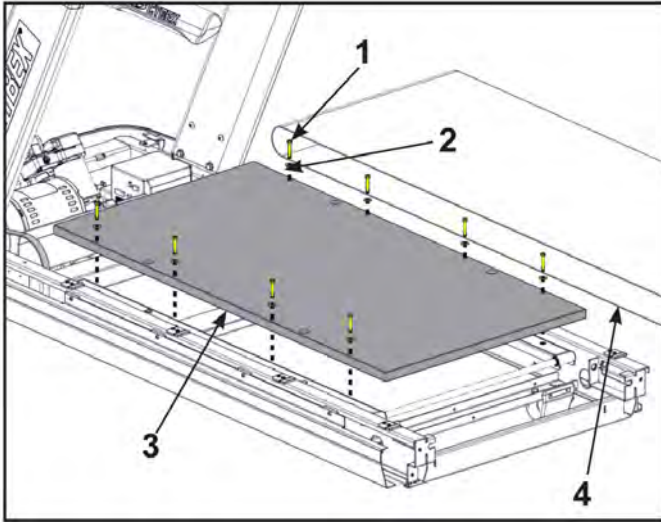


Item	Description	Qty.
1	Front roller	1
2	Drive belt	1
3	Mounting bolt	1
4	Tensioning slot	1

- Loosen the right mounting bolt using a 9/16" Socket wrench.
- Remove both mounting bolts.
- Slide the drive belt off of the front roller and remove the front roller.

Remove running deck

1. Remove the eight screws and eight flat washers that hold the deck in place using a 7/16" Socket wrench.



Item	Description	Qty.
1	7/16" Bolts	8
2	Flat washer	8
3	Running deck	1
4	Running belt	1

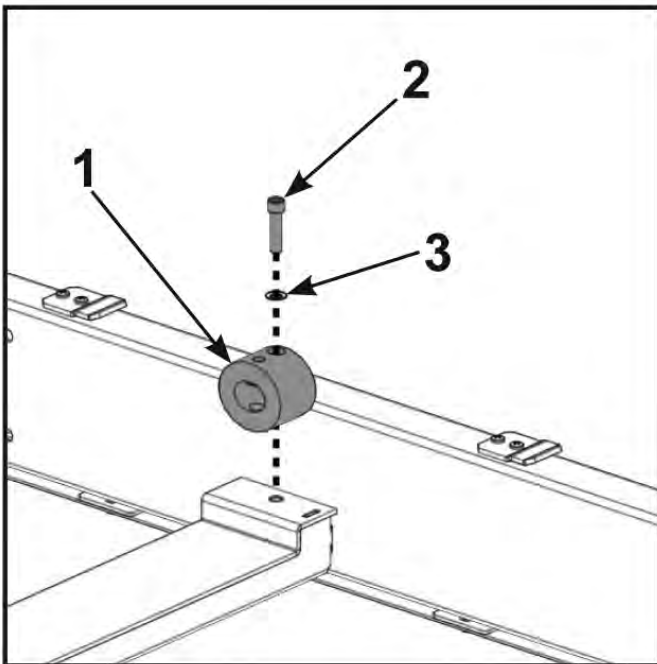
2. Slide the running deck out of the frame.

Inspect deck bumpers

Inspect the deck bumpers for cracks or wear.

NOTICE

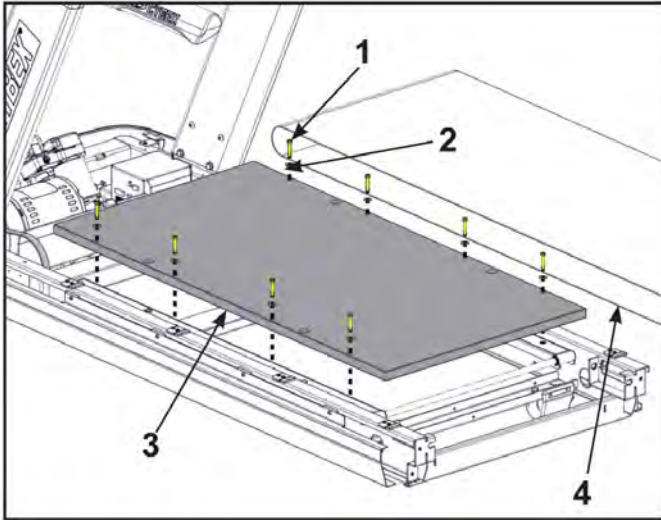
Replace the deck bumpers if the rubber is cracked or worn using a 1/4" Allen wrench.



Item	Description	Qty.
1	Deck Bumper	2
2	Mounting Bolt	2
3	Washer	2

Install running deck

1. Place the deck in the correct position on the frame.

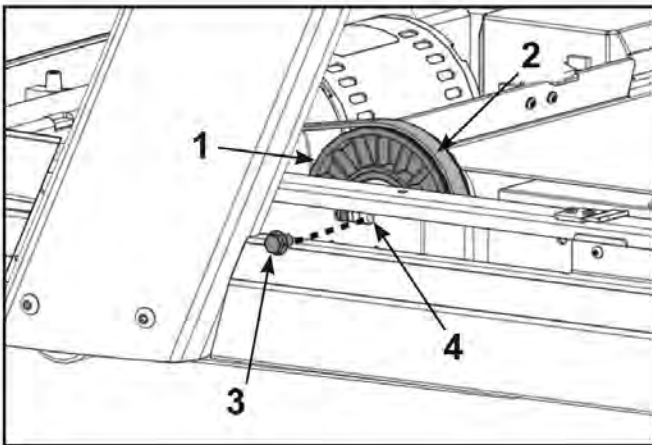


Item	Description	Qty.
1	7/16" Bolts	8
2	Flat washer	8
3	Running deck	1
4	Running belt	1

2. Install and tighten the eight screws and eight flat washers that hold the deck in place using a 7/16" Socket wrench.

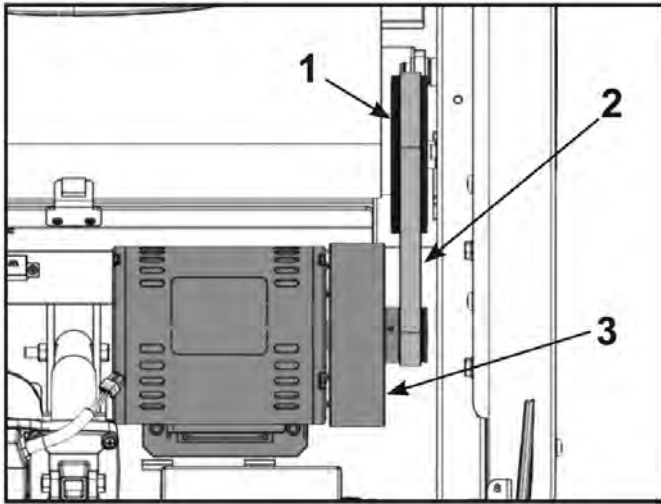
Install front roller

1. Slide the front roller into the running belt.
2. Slide the drive belt around the front roller before attaching the front roller.



Item	Description	Qty.
1	Front roller	1
2	Drive belt	1
3	Mounting bolt	1
4	Tensioning slot	1

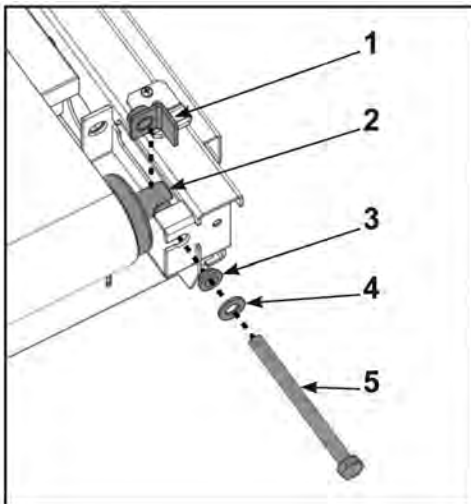
3. Install the two roller bolts that fasten the front roller to the frame. Do not tighten the bolts at this time. Ensure that the drive belt is aligned properly in the grooves on the drive motor pulley and front roller pulley. The drive belt should be positioned in the inner most groove of the drive motor pulley.



Item	Description	Qty.
1	Front Roller Pulley	1
2	Drive belt	1
3	Drive Motor Pulley	1

Install rear roller

1. Slide the rear roller into the running belt.
2. Install the bolt, washer, bushing and rear roller nut for each side of the roller into position.

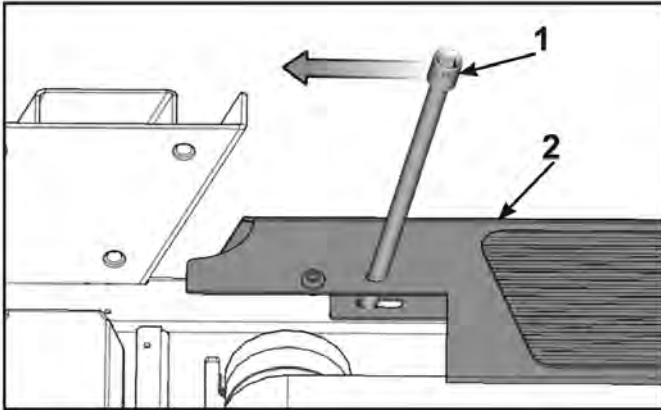


Item	Description	Qty.
1	Rear roller nut	1
2	Rear roller	1
3	Bushing	1
4	Washer	1
5	Bolt	1

3. Tighten the two rear roller bolts using a 3/4" Socket wrench. Tighten each bolt evenly, making sure not to tighten either bolt too many turns before moving to the other bolt.
4. Continue to tighten bolts until the front roller is all the way back in the tensioning slots.
5. Tighten the front roller bolts using a 9/16" Socket wrench.

Install top steps

1. Install right top step by placing in position and inserting a long 3/8" drive socket extension into top step.

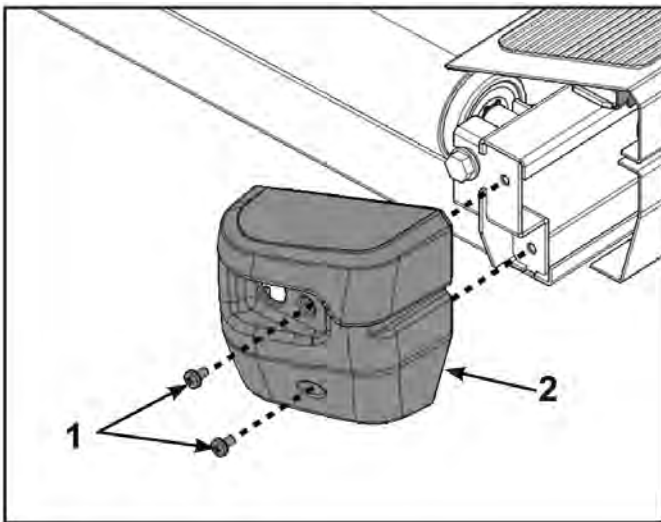


Item	Description	Qty.
1	3/8" Drive Socket Extension	1
2	Right Top Step	1

2. Pry the long 3/8" drive socket extension forwards to secure right top step.
3. Repeat steps 1 and 2 for left top step.

Install end caps

1. Install two screws securing right end cap using a Phillips screwdriver.



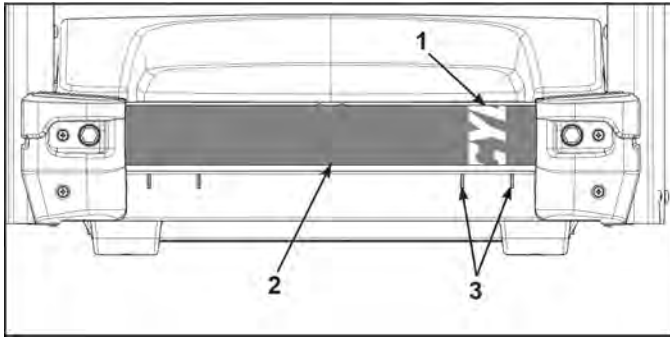
Item	Description	Qty.
1	Screws	2
2	Right end cap	1

2. Repeat step for left end cap.

Center and tension the running belt

1. Plug the power cord into the power outlet.
2. Turn the main power switch to the on (I) position.
3. Tap the **Quick Start** icon.
4. Press the **Speed +** key to bring the speed up to 5 mph (8 kph). Allow the treadmill to run for a minute. The lateral position of the running belt is correctly centered when the Cybex logo is centered between the inside edges of the two belt tracking slots. If the Cybex logo is not centered between the belt tracking slots, center the running belt with the following procedure.

- Observe the Cybex logo position relative to the belt tracking slots with the treadmill running at 5 mph (8 kph).

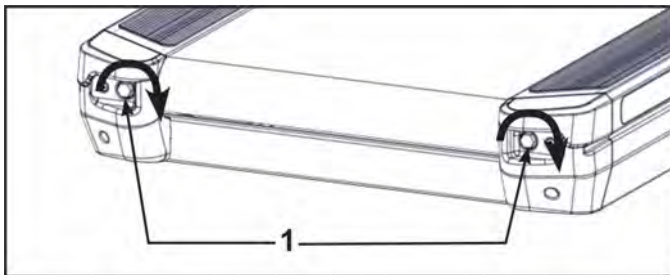


Item	Description	Qty.
1	Cybex logo	1
2	Running belt	1
3	Belt tracking slot	4

While centering the running belt choose one bolt to adjust. Do not adjust both bolts.

- Tighten the rear roller bolt on the side of the treadmill toward which the running belt is moving using a 3/4" socket wrench.

For example: If the running belt moves to the right of the belt tracking slots, tighten the bolt on the right side of the frame, tighten about 1/2 of a turn (clockwise) and wait 30 seconds. If the running belt does not move back to the center of the belt tracking slots, make another adjustment to the same bolt. Once the running belt has been adjusted closer to the center of the belt tracking slots, use about 1/4 of a turn until the running belt has been stabilized.



Item	Description	Qty.
1	Rear roller bolt	2

- Check the belt tension after the running belt has been centered. Make sure the running belt tension is tight enough so that the running belt does not slip or hesitate when stepped on. Walk on the treadmill at 3.5 - 4 mph (5.6 - 6.4 kph) and every 4th to 5th step throw your weight into your step to feel if the running belt is slipping. If slipping is felt, confirm it is the running belt slipping and not the drive belt. With the hood cover removed, observe movement at the drive belt and front roller. Do not over tighten the running belt. Over tightening the running belt can cause the belt to stretch and require replacement. Continue procedure until running belt stops slipping.
- Check running belt for centering position. If running belt is not centered, perform steps 5 and 6.

Complete installation

- Plug the power cord into the power outlet.
- Verify the power cord is not being pinched under the front of the treadmill.
- Operate the unit at all levels to verify proper operation.

Deck Pivot and Deck Bumpers

Tools Required:

- Phillips screwdriver
- Long 3/8" drive socket extension
- 5/32" Allen wrench
- 1/2" Socket wrench
- 7/16" Socket wrench
- 9/16" Socket wrench
- 3/4" Socket wrench

Disconnect power source

1. Toggle the on/off (I/O) power switch to the off (O) position. The on/off (I/O) power switch is located under the front end of the unit, or on the front right side panel.
2. Unplug the treadmill from the power outlet.

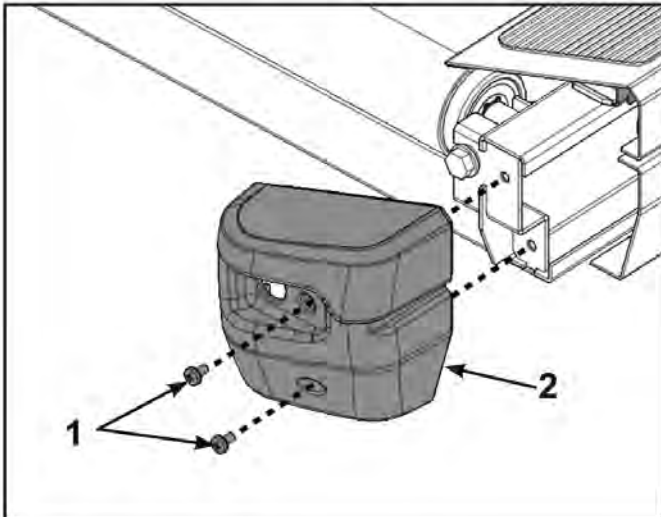
⚠ WARNING

Shock and electrocution hazard.

- Unplug unit and let sit 10 minutes before cleaning or performing maintenance.
- Electrical charge can remain in unit after unplugging.
- Keep water and liquids away from electrical parts.

Remove end caps

1. Remove two screws securing right end cap using a Phillips screwdriver.

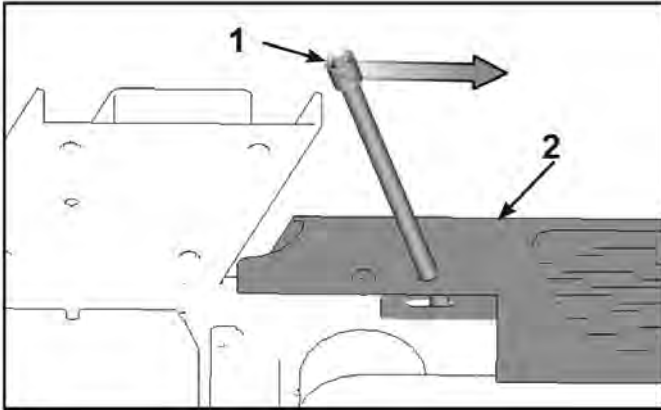


Item	Description	Qty.
1	Screws	2
2	Right end cap	1

2. Repeat step for left end cap.

Remove top steps

1. Remove the right top step by inserting a long 3/8" drive socket extension into the right top step and prying backwards.

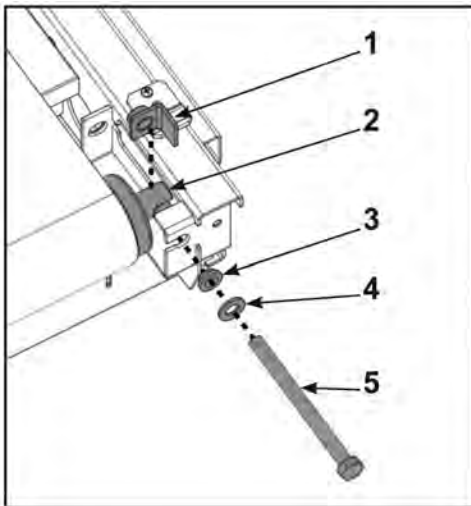


Item	Description	Qty.
1	3/8" Drive Socket Extension	1
2	Right Top Step	1

2. Remove right top step.
3. Repeat steps 1 and 2 for left top step.

Remove rear roller

1. Remove the two rear roller bolts, washers, bushing and rear roller nut (one roller bolt on each side) using a 3/4" Socket wrench. Loosen each bolt evenly, making sure not to loosen either bolt too many turns before moving to the other bolt.

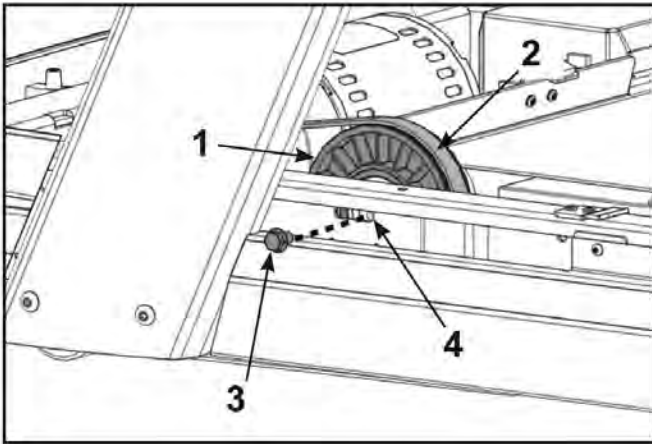


Item	Description	Qty.
1	Rear roller nut	1
2	Rear roller	1
3	Bushing	1
4	Washer	1
5	Bolt	1

2. Lift one side of the rear roller and slide the roller out of the running belt.

Remove front roller

1. Loosen the left mounting bolt using a 9/16" Socket wrench.

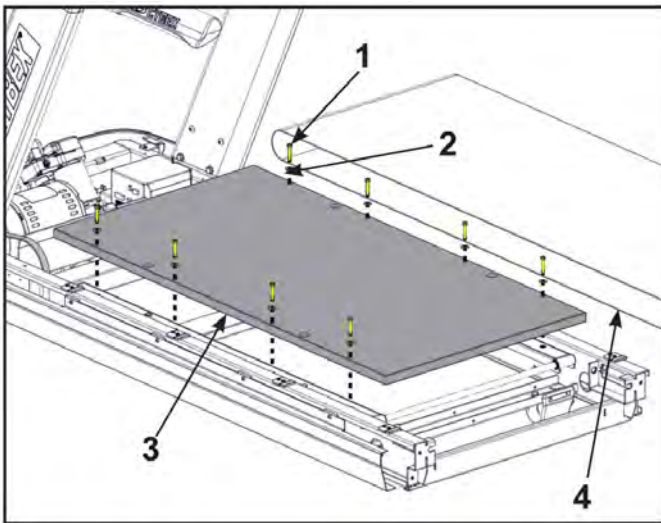


Item	Description	Qty.
1	Front roller	1
2	Drive belt	1
3	Mounting bolt	1
4	Tensioning slot	1

2. Loosen the right mounting bolt using a 9/16" Socket wrench.
3. Remove both mounting bolts.
4. Slide the drive belt off of the front roller and remove the front roller.

Remove running deck

1. Remove the eight screws and eight flat washers that hold the deck in place using a 7/16" Socket wrench.

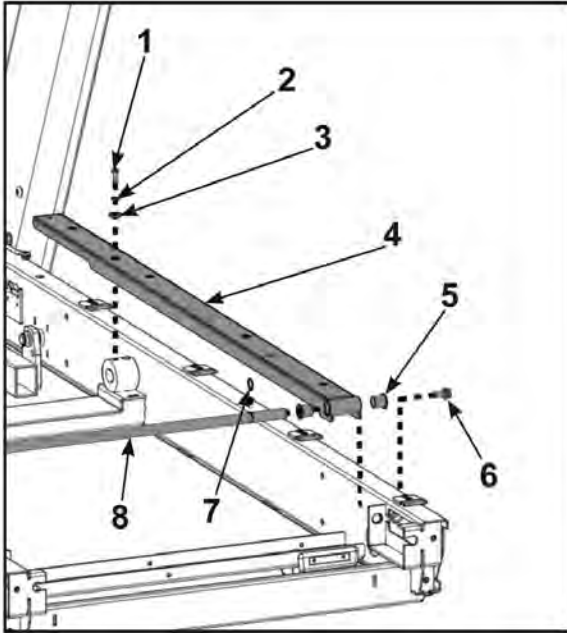


Item	Description	Qty.
1	7/16" Bolts	8
2	Flat washer	8
3	Running deck	1
4	Running belt	1

2. Slide the running deck out of the frame.

Remove deck pivot assembly

1. Remove the two bolts, split washers and flat washers securing the front of the deck pivot bracket using a 5/32" Allen wrench.

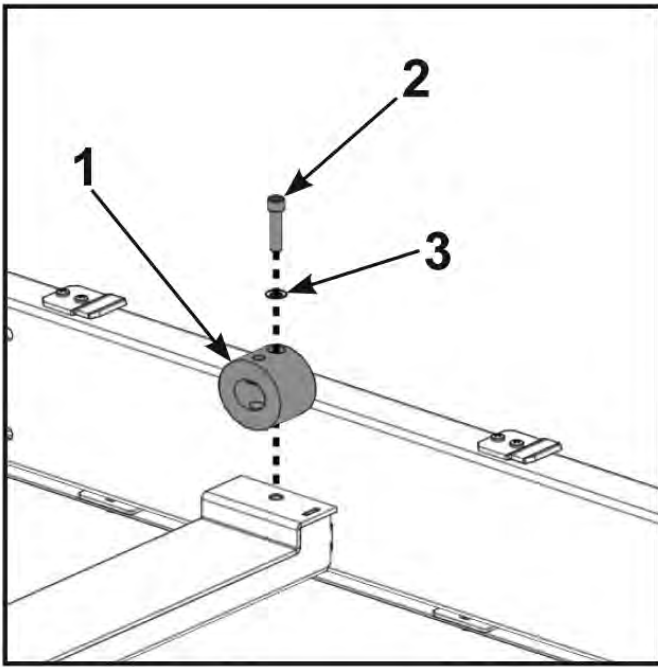


Item	Description	Qty.
1	Bolt	2
2	Split Washer	2
3	Flat Washer	2
4	Deck Pivot Bracket	2
5	Bushing	4
6	Mounting Bolt	2
7	Retaining Ring	2
8	Deck Pivot Shaft	1

2. Remove the two mounting bolts securing the deck pivot shaft to the frame using a 1/2" Socket wrench. There is one bolt at each end of the deck pivot shaft.
With the deck pivot shaft out of the unit you can now remove the bushings, deck pivot brackets, and the retaining rings.

Remove deck bumpers

1. Remove the mounting bolt and washer securing the right deck bumper to the frame using a 1/4" Allen wrench.

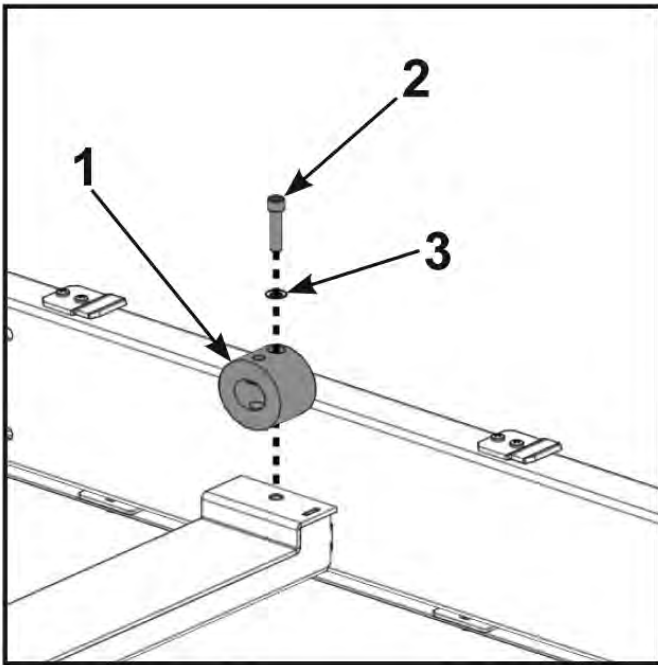


Item	Description	Qty.
1	Deck Bumper	2
2	Mounting Bolt	2
3	Washer	2

2. Remove the mounting bolt and washer securing the left deck bumper to the frame using a 1/4" Allen wrench.

Install deck bumpers

1. Install the mounting bolt and washer securing the right deck bumper to the frame using a 1/4" Allen wrench.

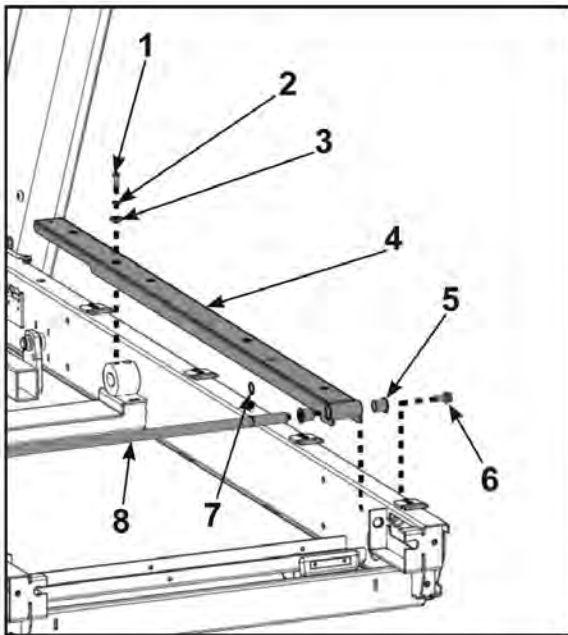


Item	Description	Qty.
1	Deck Bumper	2
2	Mounting Bolt	2
3	Washer	2

2. Install the mounting bolt and washer securing the left deck bumper to the frame using a 1/4" Allen wrench.

Install deck pivot assembly

1. Install the retaining rings, bushings and deck pivot brackets.

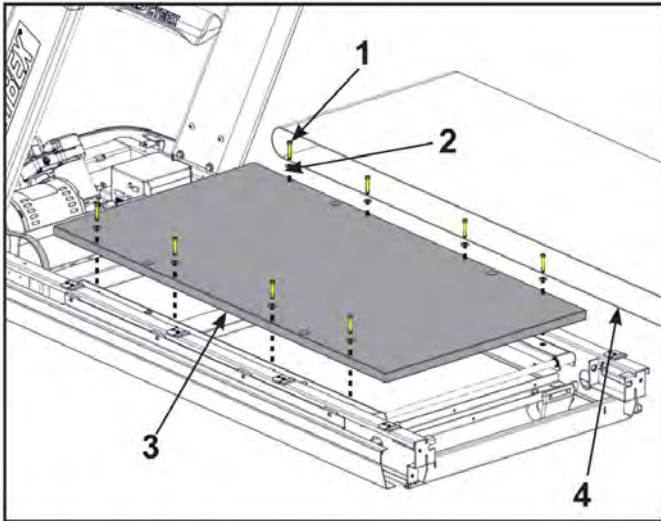


Item	Description	Qty.
1	Bolt	2
2	Split Washer	2
3	Flat Washer	2
4	Deck Pivot Bracket	2
5	Bushing	4
6	Mounting Bolt	2
7	Retaining Ring	2
8	Deck Pivot Shaft	1

2. Install the two bolts securing the deck pivot shaft to the frame using a 1/2" Socket wrench. Make sure the deck pivot brackets are installed correctly.
3. Install the two bolts, split washers and flat washers securing the front of the deck pivot bracket using a 5/32" Allen wrench.

Install running deck

1. Place the deck in the correct position on the frame.

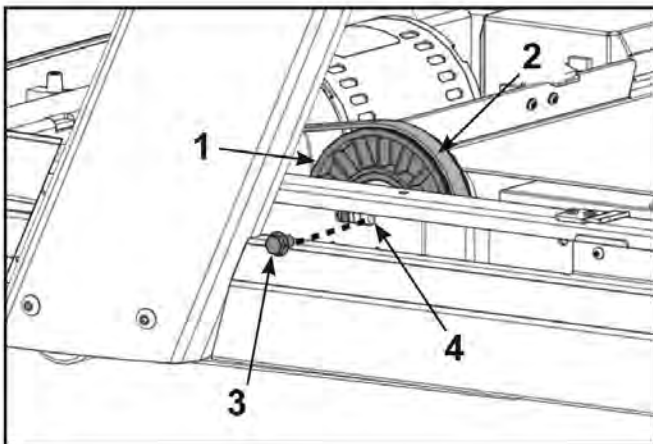


Item	Description	Qty.
1	7/16" Bolts	8
2	Flat washer	8
3	Running deck	1
4	Running belt	1

2. Install and tighten the eight screws and eight flat washers that hold the deck in place using a 7/16" Socket wrench.

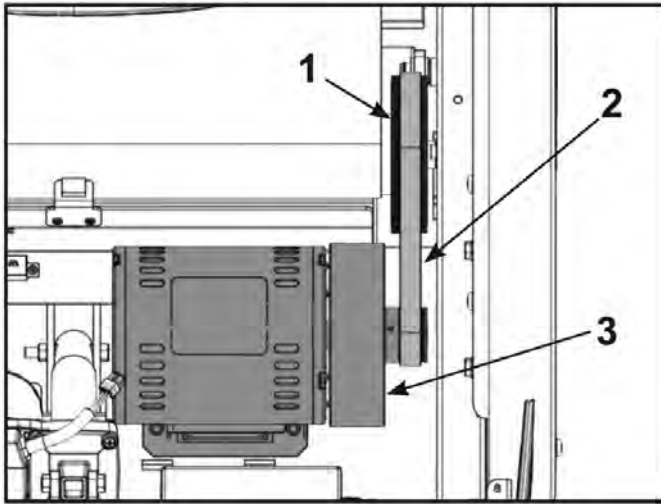
Install front roller

1. Slide the front roller into the running belt.
2. Slide the drive belt around the front roller before attaching the front roller.



Item	Description	Qty.
1	Front roller	1
2	Drive belt	1
3	Mounting bolt	1
4	Tensioning slot	1

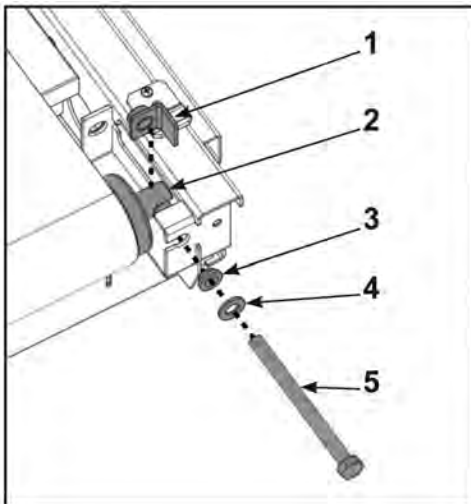
3. Install the two roller bolts that fasten the front roller to the frame. Do not tighten the bolts at this time. Ensure that the drive belt is aligned properly in the grooves on the drive motor pulley and front roller pulley. The drive belt should be positioned in the inner most groove of the drive motor pulley.



Item	Description	Qty.
1	Front Roller Pulley	1
2	Drive belt	1
3	Drive Motor Pulley	1

Install rear roller

1. Slide the rear roller into the running belt.
2. Install the bolt, washer, bushing and rear roller nut for each side of the roller into position.

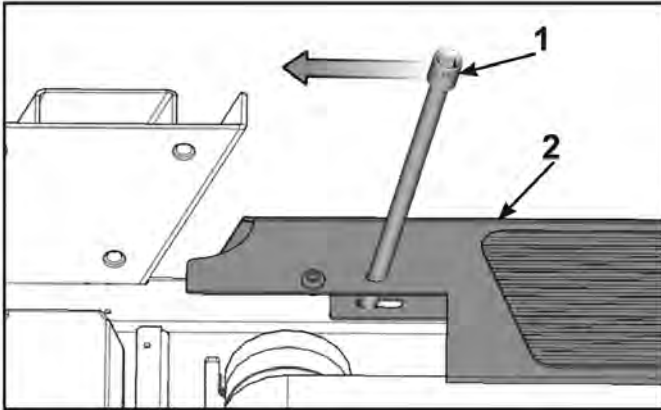


Item	Description	Qty.
1	Rear roller nut	1
2	Rear roller	1
3	Bushing	1
4	Washer	1
5	Bolt	1

3. Tighten the two rear roller bolts using a 3/4" Socket wrench. Tighten each bolt evenly, making sure not to tighten either bolt too many turns before moving to the other bolt.
4. Continue to tighten bolts until the front roller is all the way back in the tensioning slots.
5. Tighten the front roller bolts using a 9/16" Socket wrench.

Install top steps

1. Install right top step by placing in position and inserting a long 3/8" drive socket extension into top step.

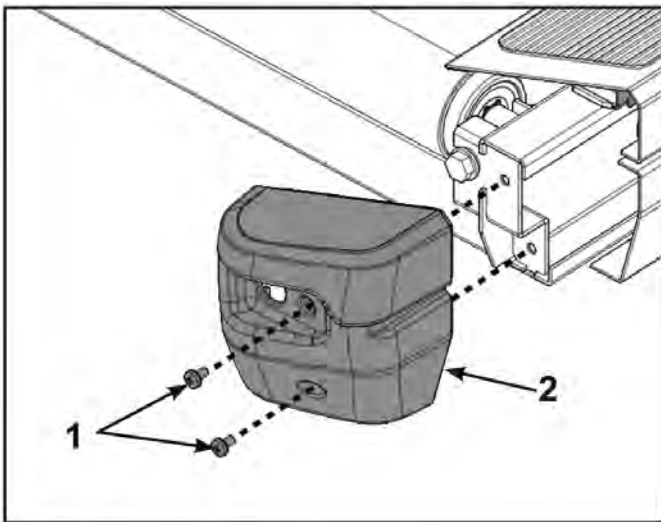


Item	Description	Qty.
1	3/8" Drive Socket Extension	1
2	Right Top Step	1

2. Pry the long 3/8" drive socket extension forwards to secure right top step.
3. Repeat steps 1 and 2 for left top step.

Install end caps

1. Install two screws securing right end cap using a Phillips screwdriver.



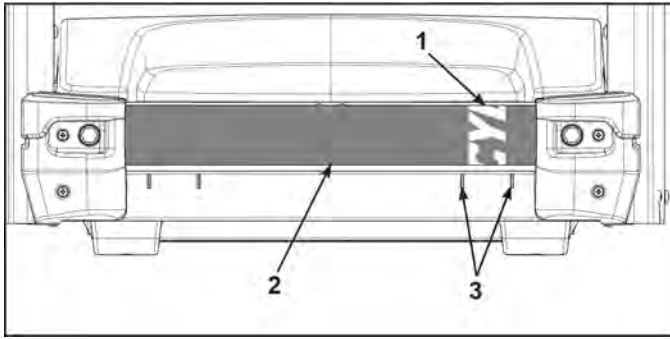
Item	Description	Qty.
1	Screws	2
2	Right end cap	1

2. Repeat step for left end cap.

Center and tension the running belt

1. Plug the power cord into the power outlet.
2. Turn the main power switch to the on (I) position.
3. Tap the **Quick Start** icon.
4. Press the **Speed +** key to bring the speed up to 5 mph (8 kph). Allow the treadmill to run for a minute. The lateral position of the running belt is correctly centered when the Cybex logo is centered between the inside edges of the two belt tracking slots. If the Cybex logo is not centered between the belt tracking slots, center the running belt with the following procedure.

- Observe the Cybex logo position relative to the belt tracking slots with the treadmill running at 5 mph (8 kph).

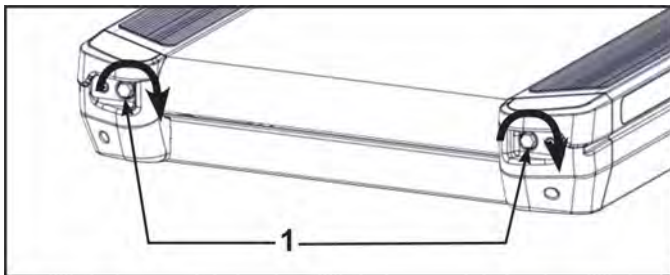


Item	Description	Qty.
1	Cybex logo	1
2	Running belt	1
3	Belt tracking slot	4

While centering the running belt choose one bolt to adjust. Do not adjust both bolts.

- Tighten the rear roller bolt on the side of the treadmill toward which the running belt is moving using a 3/4" socket wrench.

For example: If the running belt moves to the right of the belt tracking slots, tighten the bolt on the right side of the frame, tighten about 1/2 of a turn (clockwise) and wait 30 seconds. If the running belt does not move back to the center of the belt tracking slots, make another adjustment to the same bolt. Once the running belt has been adjusted closer to the center of the belt tracking slots, use about 1/4 of a turn until the running belt has been stabilized.



Item	Description	Qty.
1	Rear roller bolt	2

- Check the belt tension after the running belt has been centered. Make sure the running belt tension is tight enough so that the running belt does not slip or hesitate when stepped on. Walk on the treadmill at 3.5 - 4 mph (5.6 - 6.4 kph) and every 4th to 5th step throw your weight into your step to feel if the running belt is slipping. If slipping is felt, confirm it is the running belt slipping and not the drive belt. With the hood cover removed, observe movement at the drive belt and front roller. Do not over tighten the running belt. Over tightening the running belt can cause the belt to stretch and require replacement. Continue procedure until running belt stops slipping.
- Check running belt for centering position. If running belt is not centered, perform steps 5 and 6.

Complete installation

- Plug the power cord into the power outlet.
- Verify the power cord is not being pinched under the front of the treadmill.
- Operate the unit at all levels to verify proper operation.

Running Belt

Tools Required:

- Phillips screwdriver
- Long 3/8" drive socket extension
- 5/32" Allen wrench
- 1/2" Socket wrench
- 7/16" Socket wrench
- 9/16" Socket wrench
- 3/4" Socket wrench

Disconnect power source

1. Toggle the on/off (I/O) power switch to the off (O) position. The on/off (I/O) power switch is located under the front end of the unit, or on the front right side panel.
2. Unplug the treadmill from the power outlet.

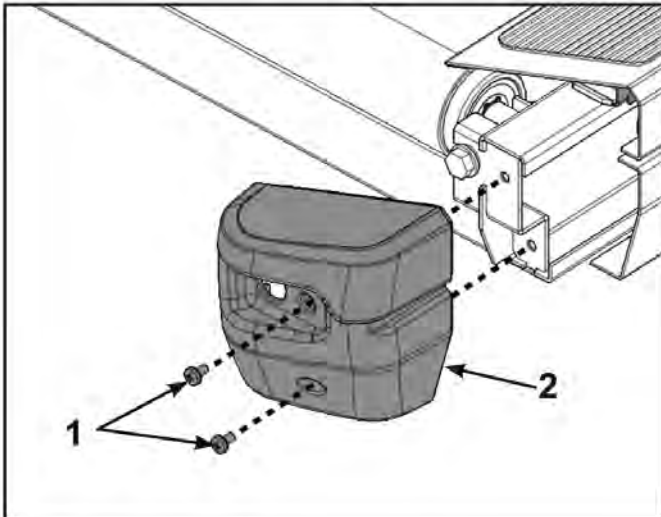
⚠ WARNING

Shock and electrocution hazard.

- Unplug unit and let sit 10 minutes before cleaning or performing maintenance.
- Electrical charge can remain in unit after unplugging.
- Keep water and liquids away from electrical parts.

Remove end caps

1. Remove two screws securing right end cap using a Phillips screwdriver.

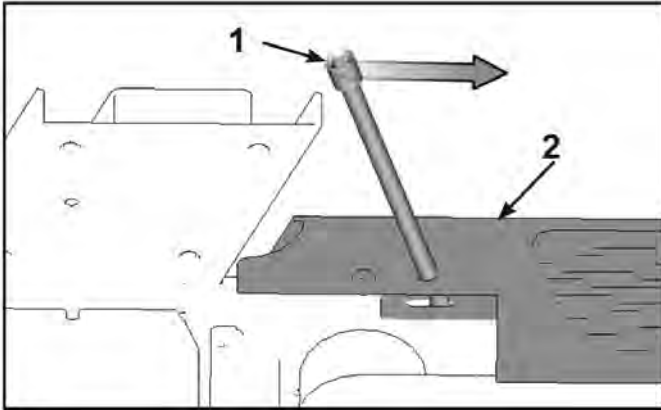


Item	Description	Qty.
1	Screws	2
2	Right end cap	1

2. Repeat step for left end cap.

Remove top steps

1. Remove the right top step by inserting a long 3/8" drive socket extension into the right top step and prying backwards.

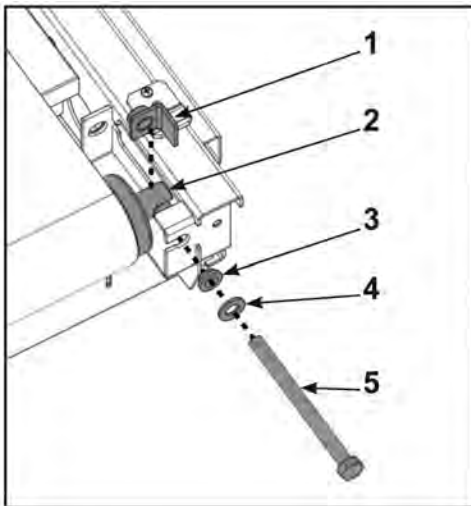


Item	Description	Qty.
1	3/8" Drive Socket Extension	1
2	Right Top Step	1

2. Remove right top step.
3. Repeat steps 1 and 2 for left top step.

Remove rear roller

1. Remove the two rear roller bolts, washers, bushing and rear roller nut (one roller bolt on each side) using a 3/4" Socket wrench. Loosen each bolt evenly, making sure not to loosen either bolt too many turns before moving to the other bolt.

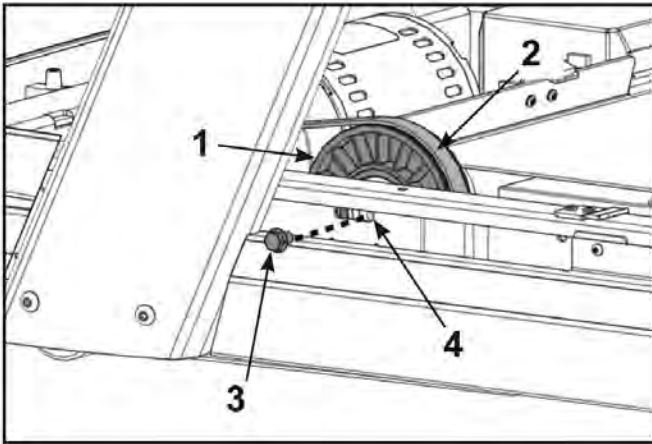


Item	Description	Qty.
1	Rear roller nut	1
2	Rear roller	1
3	Bushing	1
4	Washer	1
5	Bolt	1

2. Lift one side of the rear roller and slide the roller out of the running belt.

Remove front roller

1. Loosen the left mounting bolt using a 9/16" Socket wrench.

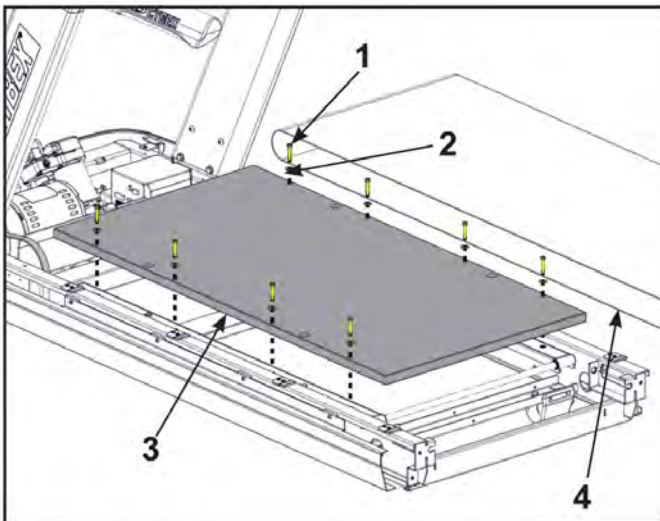


Item	Description	Qty.
1	Front roller	1
2	Drive belt	1
3	Mounting bolt	1
4	Tensioning slot	1

2. Loosen the right mounting bolt using a 9/16" Socket wrench.
3. Remove both mounting bolts.
4. Slide the drive belt off of the front roller and remove the front roller.

Remove running deck

1. Remove the eight screws and eight flat washers that hold the deck in place using a 7/16" Socket wrench.

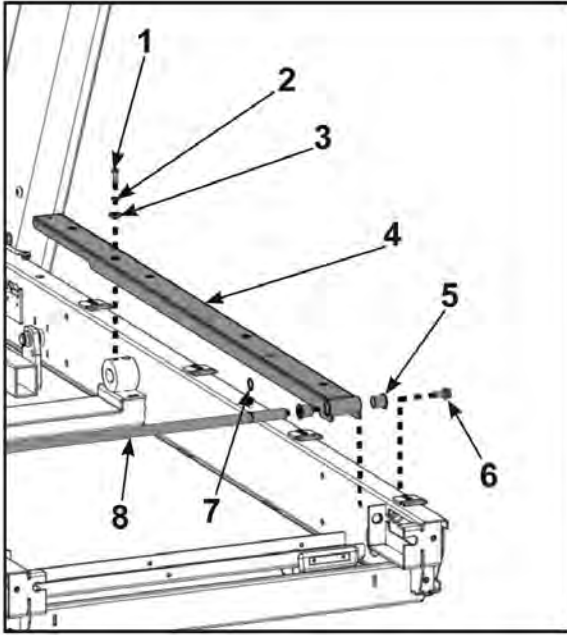


Item	Description	Qty.
1	7/16" Bolts	8
2	Flat washer	8
3	Running deck	1
4	Running belt	1

2. Slide the running deck out of the frame.

Remove deck pivot assembly

1. Remove the two bolts, split washers and flat washers securing the front of the deck pivot bracket using a 5/32" Allen wrench.



Item	Description	Qty.
1	Bolt	2
2	Split Washer	2
3	Flat Washer	2
4	Deck Pivot Bracket	2
5	Bushing	4
6	Mounting Bolt	2
7	Retaining Ring	2
8	Deck Pivot Shaft	1

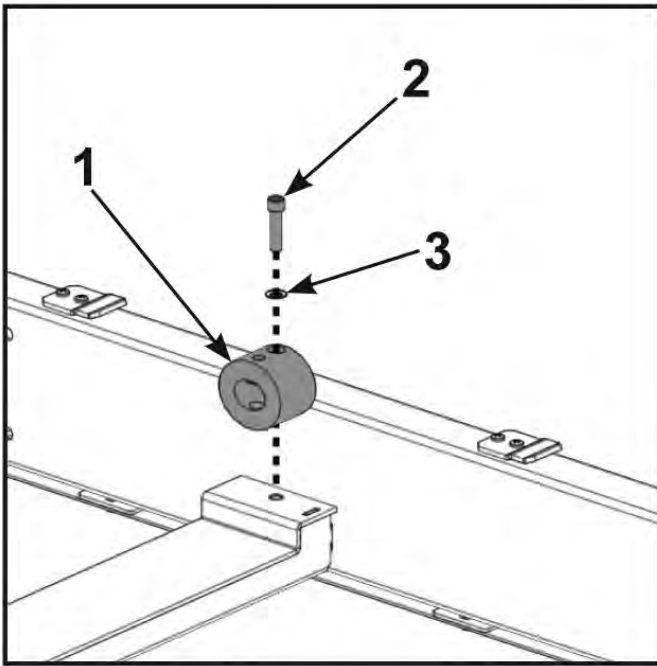
2. Remove the two mounting bolts securing the deck pivot shaft to the frame using a 1/2" Socket wrench. There is one bolt at each end of the deck pivot shaft.
With the deck pivot shaft out of the unit you can now remove the bushings, deck pivot brackets, and the retaining rings.

Inspect deck bumpers

Inspect the deck bumpers for cracks or wear.

NOTICE


Replace the deck bumpers if the rubber is cracked or worn using a 1/4" Allen wrench.



Item	Description	Qty.
1	Deck Bumper	2
2	Mounting Bolt	2
3	Washer	2

Remove running belt

Remove the running belt from the unit.

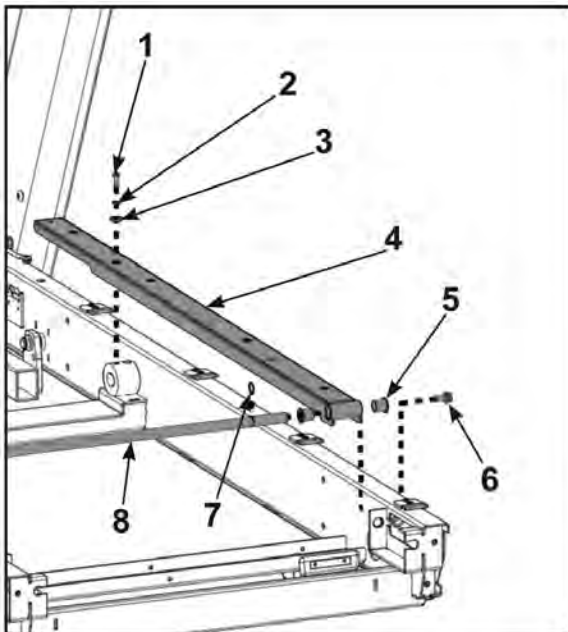
 **NOTE:** If the same running belt will be re-installed, note the direction of travel and re-install in the same direction.

Install running belt

Place the running belt in position on the unit.

Install deck pivot assembly

1. Install the retaining rings, bushings and deck pivot brackets.

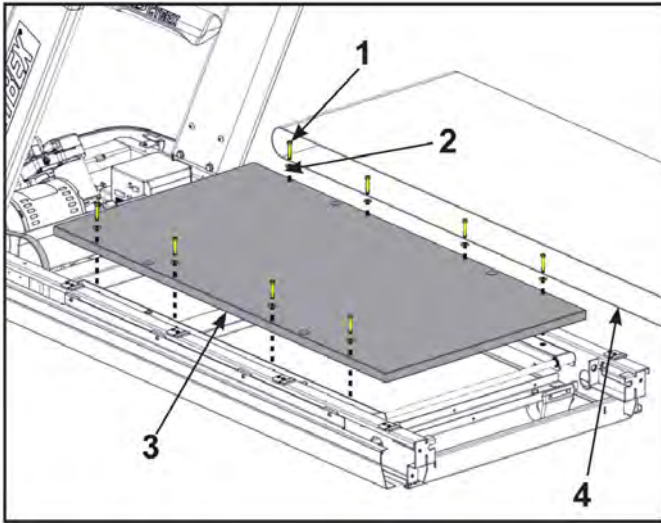


Item	Description	Qty.
1	Bolt	2
2	Split Washer	2
3	Flat Washer	2
4	Deck Pivot Bracket	2
5	Bushing	4
6	Mounting Bolt	2
7	Retaining Ring	2
8	Deck Pivot Shaft	1

2. Install the two bolts securing the deck pivot shaft to the frame using a 1/2" Socket wrench. Make sure the deck pivot brackets are installed correctly.
3. Install the two bolts, split washers and flat washers securing the front of the deck pivot bracket using a 5/32" Allen wrench.

Install running deck

1. Place the deck in the correct position on the frame.

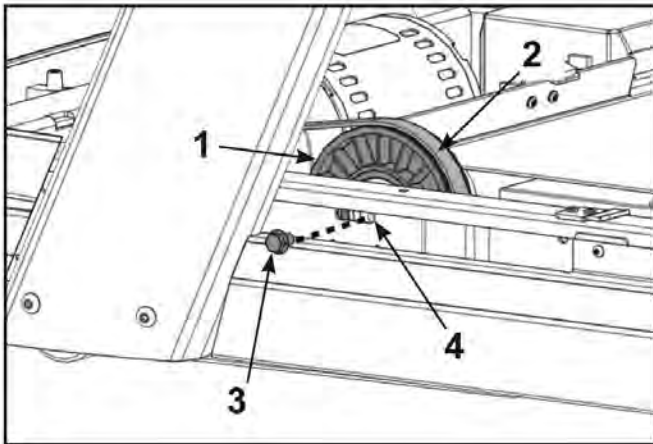


Item	Description	Qty.
1	7/16" Bolts	8
2	Flat washer	8
3	Running deck	1
4	Running belt	1

2. Install and tighten the eight screws and eight flat washers that hold the deck in place using a 7/16" Socket wrench.

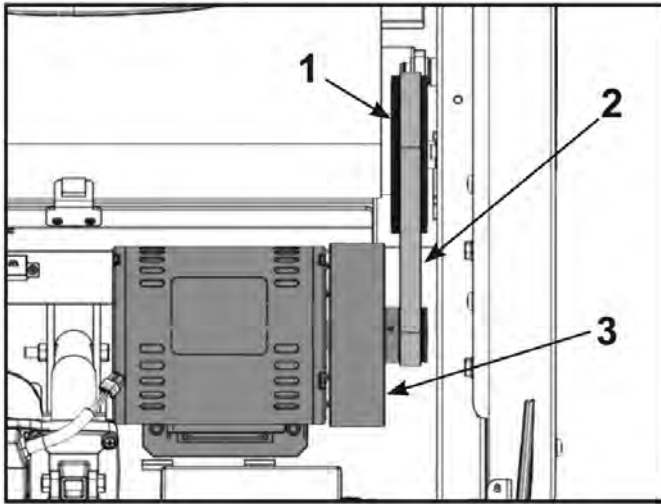
Install front roller

1. Slide the front roller into the running belt.
2. Slide the drive belt around the front roller before attaching the front roller.



Item	Description	Qty.
1	Front roller	1
2	Drive belt	1
3	Mounting bolt	1
4	Tensioning slot	1

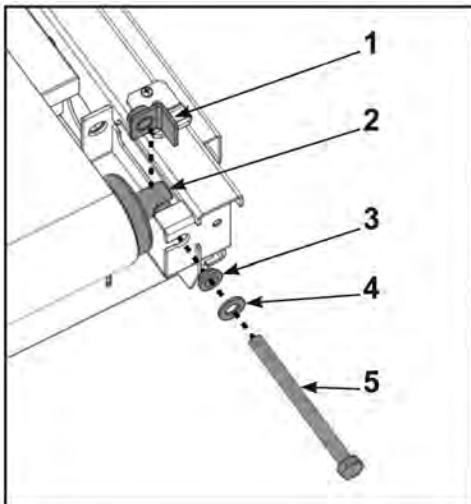
3. Install the two roller bolts that fasten the front roller to the frame. Do not tighten the bolts at this time. Ensure that the drive belt is aligned properly in the grooves on the drive motor pulley and front roller pulley. The drive belt should be positioned in the inner most groove of the drive motor pulley.



Item	Description	Qty.
1	Front Roller Pulley	1
2	Drive belt	1
3	Drive Motor Pulley	1

Install rear roller

1. Slide the rear roller into the running belt.
2. Install the bolt, washer, bushing and rear roller nut for each side of the roller into position.

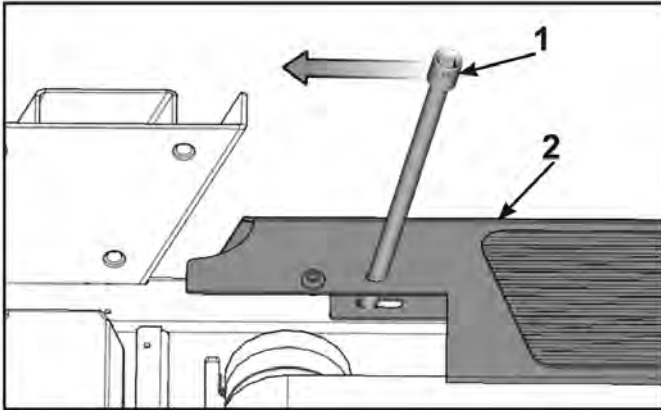


Item	Description	Qty.
1	Rear roller nut	1
2	Rear roller	1
3	Bushing	1
4	Washer	1
5	Bolt	1

3. Tighten the two rear roller bolts using a 3/4" Socket wrench. Tighten each bolt evenly, making sure not to tighten either bolt too many turns before moving to the other bolt.
4. Continue to tighten bolts until the front roller is all the way back in the tensioning slots.
5. Tighten the front roller bolts using a 9/16" Socket wrench.

Install top steps

1. Install right top step by placing in position and inserting a long 3/8" drive socket extension into top step.

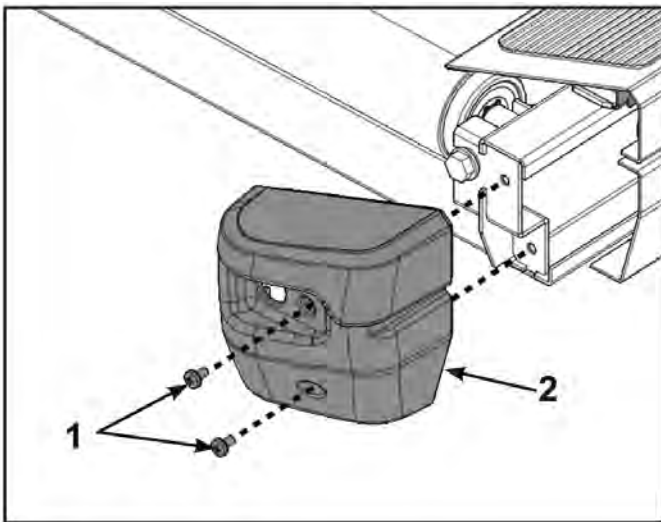


Item	Description	Qty.
1	3/8" Drive Socket Extension	1
2	Right Top Step	1

2. Pry the long 3/8" drive socket extension forwards to secure right top step.
3. Repeat steps 1 and 2 for left top step.

Install end caps

1. Install two screws securing right end cap using a Phillips screwdriver.



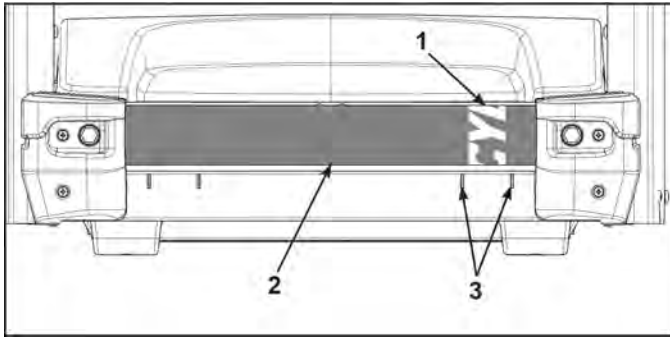
Item	Description	Qty.
1	Screws	2
2	Right end cap	1

2. Repeat step for left end cap.

Center and tension the running belt

1. Plug the power cord into the power outlet.
2. Turn the main power switch to the on (I) position.
3. Tap the **Quick Start** icon.
4. Press the **Speed +** key to bring the speed up to 5 mph (8 kph). Allow the treadmill to run for a minute. The lateral position of the running belt is correctly centered when the Cybex logo is centered between the inside edges of the two belt tracking slots. If the Cybex logo is not centered between the belt tracking slots, center the running belt with the following procedure.

- Observe the Cybex logo position relative to the belt tracking slots with the treadmill running at 5 mph (8 kph).

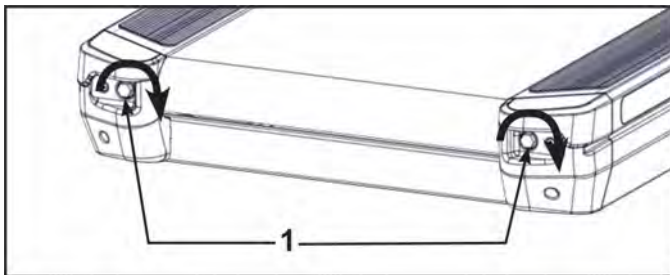


Item	Description	Qty.
1	Cybex logo	1
2	Running belt	1
3	Belt tracking slot	4

While centering the running belt choose one bolt to adjust. Do not adjust both bolts.

- Tighten the rear roller bolt on the side of the treadmill toward which the running belt is moving using a 3/4" socket wrench.

For example: If the running belt moves to the right of the belt tracking slots, tighten the bolt on the right side of the frame, tighten about 1/2 of a turn (clockwise) and wait 30 seconds. If the running belt does not move back to the center of the belt tracking slots, make another adjustment to the same bolt. Once the running belt has been adjusted closer to the center of the belt tracking slots, use about 1/4 of a turn until the running belt has been stabilized.



Item	Description	Qty.
1	Rear roller bolt	2

- Check the belt tension after the running belt has been centered. Make sure the running belt tension is tight enough so that the running belt does not slip or hesitate when stepped on. Walk on the treadmill at 3.5 - 4 mph (5.6 - 6.4 kph) and every 4th to 5th step throw your weight into your step to feel if the running belt is slipping. If slipping is felt, confirm it is the running belt slipping and not the drive belt. With the hood cover removed, observe movement at the drive belt and front roller. Do not over tighten the running belt. Over tightening the running belt can cause the belt to stretch and require replacement. Continue procedure until running belt stops slipping.
- Check running belt for centering position. If running belt is not centered, perform steps 5 and 6.

Complete installation

- Plug the power cord into the power outlet.
- Verify the power cord is not being pinched under the front of the treadmill.
- Operate the unit at all levels to verify proper operation.

Drive Belt

Tools Required:

- Phillips screwdriver
- Long 3/8" drive socket extension
- 3/4" Socket wrench
- 9/16" Socket wrench

Disconnect power source

1. Toggle the on/off (I/O) power switch to the off (O) position. The on/off (I/O) power switch is located under the front end of the unit, or on the front right side panel.
2. Unplug the treadmill from the power outlet.

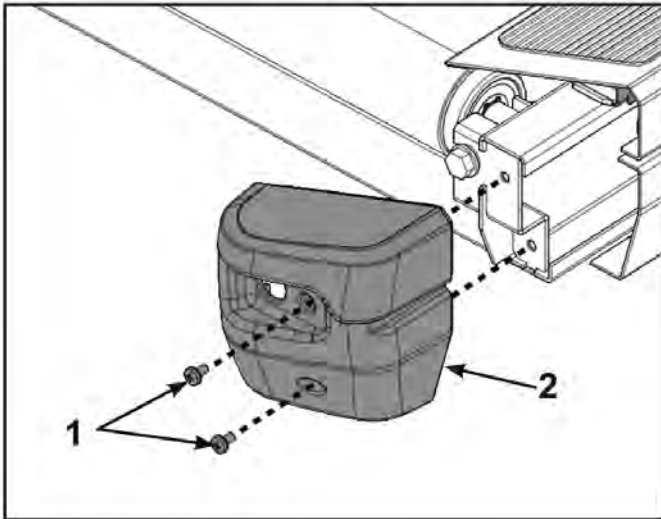
⚠ WARNING

Shock and electrocution hazard.

- Unplug unit and let sit 10 minutes before cleaning or performing maintenance.
- Electrical charge can remain in unit after unplugging.
- Keep water and liquids away from electrical parts.

Remove end caps

1. Remove two screws securing right end cap using a Phillips screwdriver.

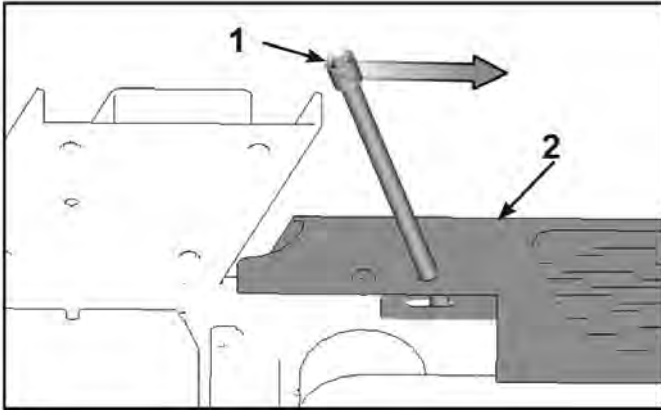


Item	Description	Qty.
1	Screws	2
2	Right end cap	1

2. Repeat step for left end cap.

Remove top steps

1. Remove the right top step by inserting a long 3/8" drive socket extension into the right top step and prying backwards.



Item	Description	Qty.
1	3/8" Drive Socket Extension	1
2	Right Top Step	1

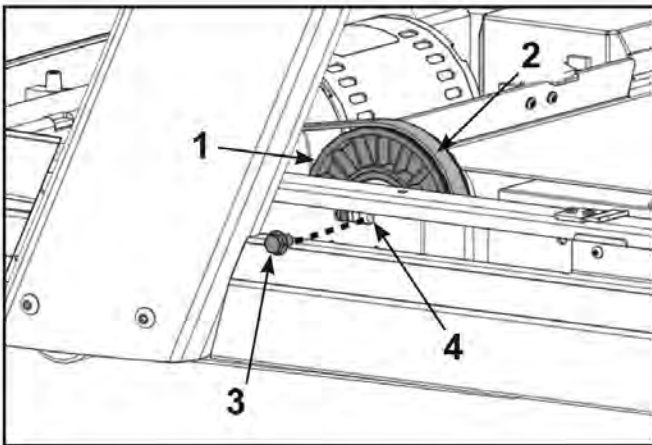
2. Remove right top step.
3. Repeat steps 1 and 2 for left top step.

Loosen rear roller

Loosen the rear roller mounting bolts using a 3/4" Socket wrench.

Remove front roller

1. Loosen the left mounting bolt using a 9/16" Socket wrench.



Item	Description	Qty.
1	Front roller	1
2	Drive belt	1
3	Mounting bolt	1
4	Tensioning slot	1

2. Loosen the right mounting bolt using a 9/16" Socket wrench.
3. Remove both mounting bolts.
4. Slide the drive belt off of the front roller and remove the front roller.

Remove drive belt

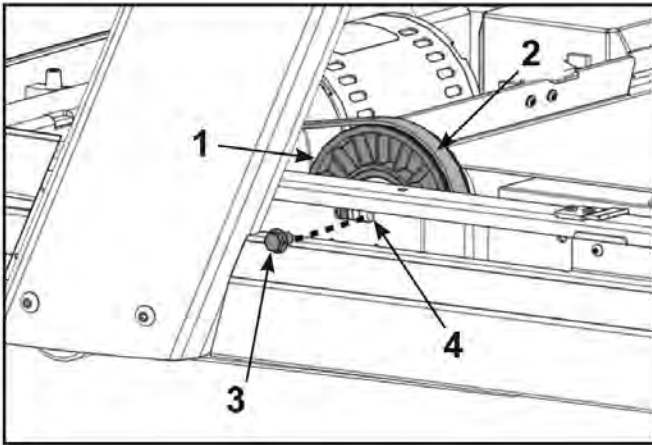
Remove the drive belt off of the drive motor pulley.

Install drive belt

Install the drive belt into the grooves on the drive motor pulley.

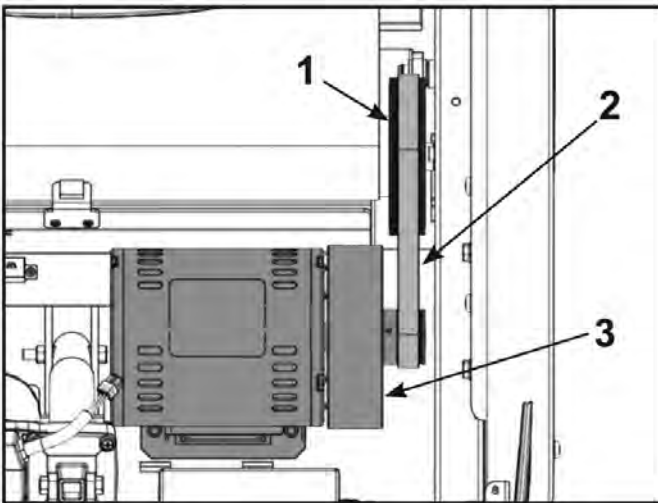
Install front roller

1. Slide the front roller into the running belt.
2. Slide the drive belt around the front roller before attaching the front roller.



Item	Description	Qty.
1	Front roller	1
2	Drive belt	1
3	Mounting bolt	1
4	Tensioning slot	1

3. Install the two roller bolts that fasten the front roller to the frame. Do not tighten the bolts at this time. Ensure that the drive belt is aligned properly in the grooves on the drive motor pulley and front roller pulley. The drive belt should be positioned in the inner most groove of the drive motor pulley.



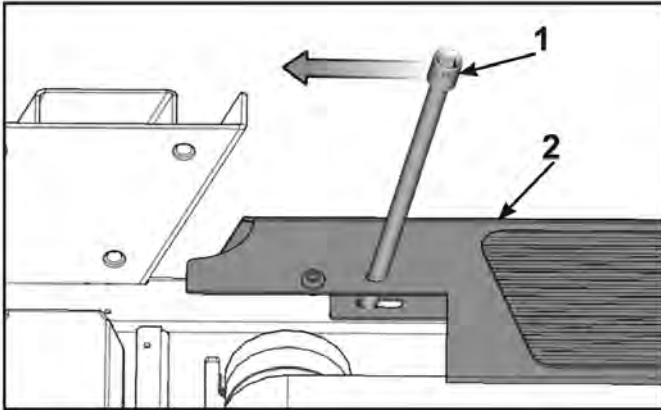
Item	Description	Qty.
1	Front Roller Pulley	1
2	Drive belt	1
3	Drive Motor Pulley	1

Tighten rear roller

1. Tighten the two rear roller bolts using a 3/4" Socket wrench. Tighten each bolt evenly, making sure not to tighten either bolt too many turns before moving to the other bolt.
2. Continue to tighten bolts until the front roller is all the way back in the tensioning slots.
3. Tighten the front roller bolts using a 9/16" Socket wrench.

Install top steps

1. Install right top step by placing in position and inserting a long 3/8" drive socket extension into top step.

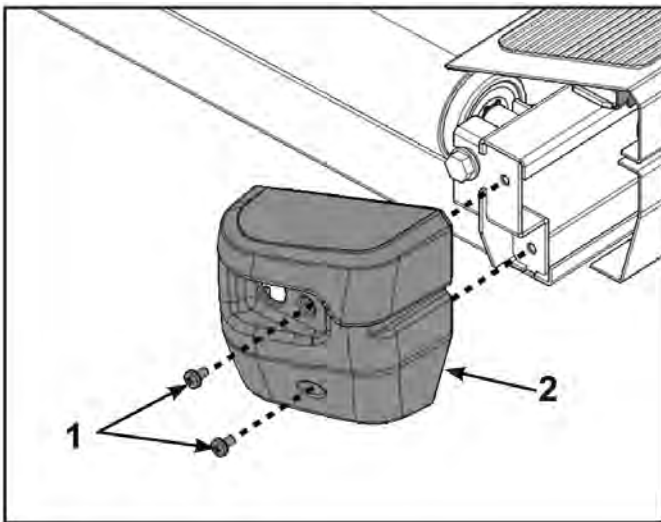


Item	Description	Qty.
1	3/8" Drive Socket Extension	1
2	Right Top Step	1

2. Pry the long 3/8" drive socket extension forwards to secure right top step.
3. Repeat steps 1 and 2 for left top step.

Install end caps

1. Install two screws securing right end cap using a Phillips screwdriver.



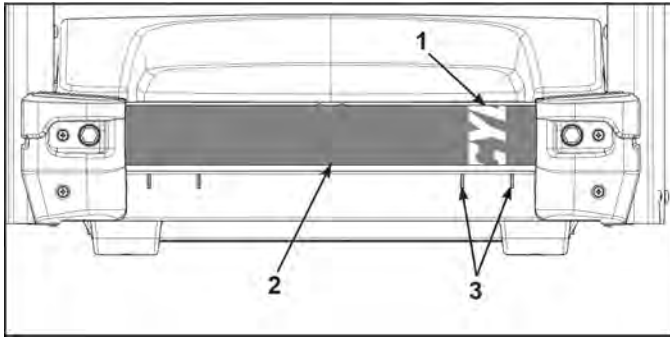
Item	Description	Qty.
1	Screws	2
2	Right end cap	1

2. Repeat step for left end cap.

Center and tension the running belt

1. Plug the power cord into the power outlet.
2. Turn the main power switch to the on (I) position.
3. Tap the **Quick Start** icon.
4. Press the **Speed +** key to bring the speed up to 5 mph (8 kph). Allow the treadmill to run for a minute. The lateral position of the running belt is correctly centered when the Cybex logo is centered between the inside edges of the two belt tracking slots. If the Cybex logo is not centered between the belt tracking slots, center the running belt with the following procedure.

- Observe the Cybex logo position relative to the belt tracking slots with the treadmill running at 5 mph (8 kph).

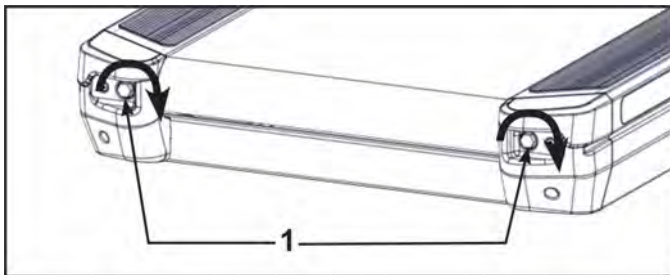


Item	Description	Qty.
1	Cybex logo	1
2	Running belt	1
3	Belt tracking slot	4

While centering the running belt choose one bolt to adjust. Do not adjust both bolts.

- Tighten the rear roller bolt on the side of the treadmill toward which the running belt is moving using a 3/4" socket wrench.

For example: If the running belt moves to the right of the belt tracking slots, tighten the bolt on the right side of the frame, tighten about 1/2 of a turn (clockwise) and wait 30 seconds. If the running belt does not move back to the center of the belt tracking slots, make another adjustment to the same bolt. Once the running belt has been adjusted closer to the center of the belt tracking slots, use about 1/4 of a turn until the running belt has been stabilized.



Item	Description	Qty.
1	Rear roller bolt	2

- Check the belt tension after the running belt has been centered. Make sure the running belt tension is tight enough so that the running belt does not slip or hesitate when stepped on. Walk on the treadmill at 3.5 - 4 mph (5.6 - 6.4 kph) and every 4th to 5th step throw your weight into your step to feel if the running belt is slipping. If slipping is felt, confirm it is the running belt slipping and not the drive belt. With the hood cover removed, observe movement at the drive belt and front roller. Do not over tighten the running belt. Over tightening the running belt can cause the belt to stretch and require replacement. Continue procedure until running belt stops slipping.
- Check running belt for centering position. If running belt is not centered, perform steps 5 and 6.

Complete installation

- Plug the power cord into the power outlet.
- Verify the power cord is not being pinched under the front of the treadmill.
- Operate the unit at all levels to verify proper operation.

Drive Motor

Tools Required:

- Phillips screwdriver
- Long 3/8" drive socket extension
- 1/2" Socket wrench with a 6" extension
- 9/16" Socket wrench
- 3/4" Socket wrench
- Side cutter
- Cable tie

Incline treadmill

1. Connect the main power cord into the power outlet.
2. Start the treadmill in *Manual Mode* and incline to 8%.

Disconnect power source

1. Toggle the on/off (I/O) power switch to the off (O) position. The on/off (I/O) power switch is located under the front end of the unit, or on the front right side panel.
2. Unplug the treadmill from the power outlet.

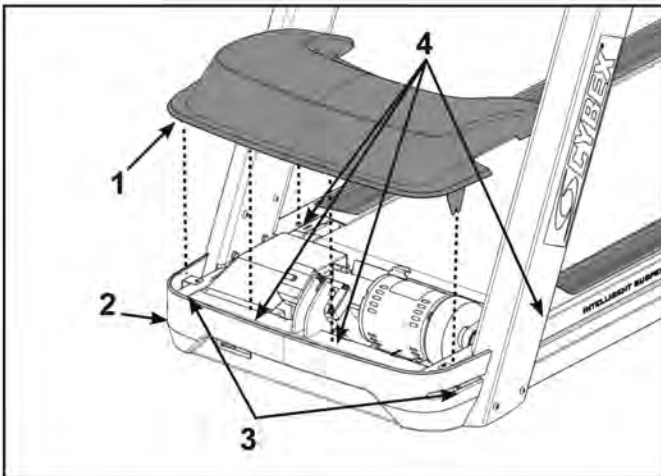
⚠️ WARNING

Shock and electrocution hazard.

- Unplug unit and let sit 10 minutes before cleaning or performing maintenance.
- Electrical charge can remain in unit after unplugging.
- Keep water and liquids away from electrical parts.

Remove motor cover

1. Loosen, but do not remove the two front cover screws securing the motor cover using a Phillips screwdriver.

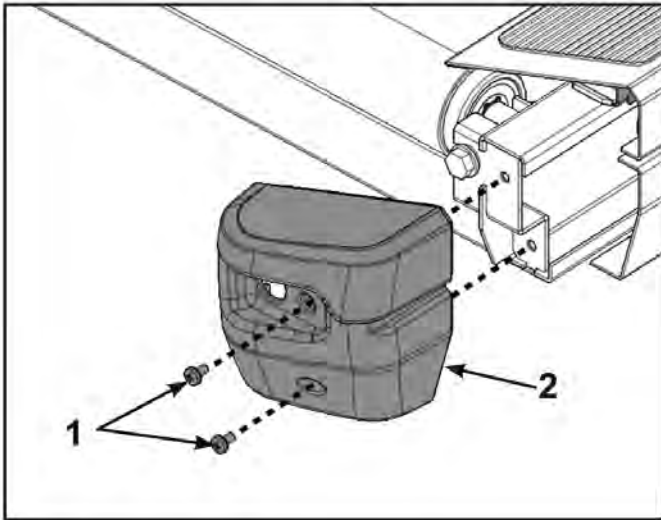


Item	Description	Qty.
1	Motor Cover	1
2	Front Cover	1
3	Screws	2
4	Plastic Connectors	4

2. Remove motor cover by carefully lifting vertically. Do not break the four plastic connectors.

Remove end caps

1. Remove two screws securing right end cap using a Phillips screwdriver.

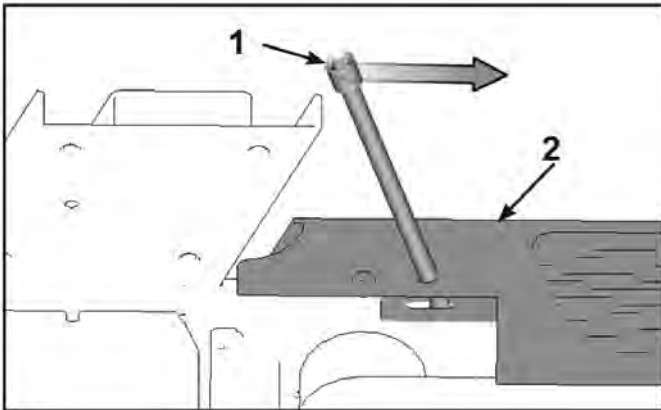


Item	Description	Qty.
1	Screws	2
2	Right end cap	1

2. Repeat step for left end cap.

Remove top steps

1. Remove the right top step by inserting a long 3/8" drive socket extension into the right top step and prying backwards.



Item	Description	Qty.
1	3/8" Drive Socket Extension	1
2	Right Top Step	1

2. Remove right top step.
3. Repeat steps 1 and 2 for left top step.

Loosen rear roller

Loosen the rear roller mounting bolts using a 3/4" Socket wrench.

Loosen front roller

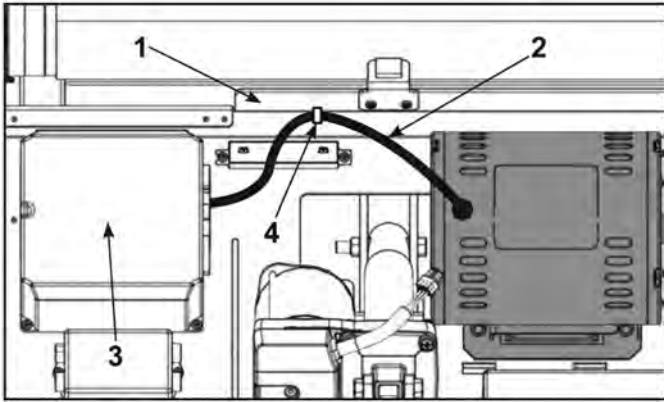
Loosen the front roller mounting bolts using a 9/16" Socket wrench.

Remove drive belt

Remove the drive belt off of the drive motor pulley.

Disconnect drive motor cable

1. Locate the drive motor cable exiting the drive motor and connected to the motor controller.

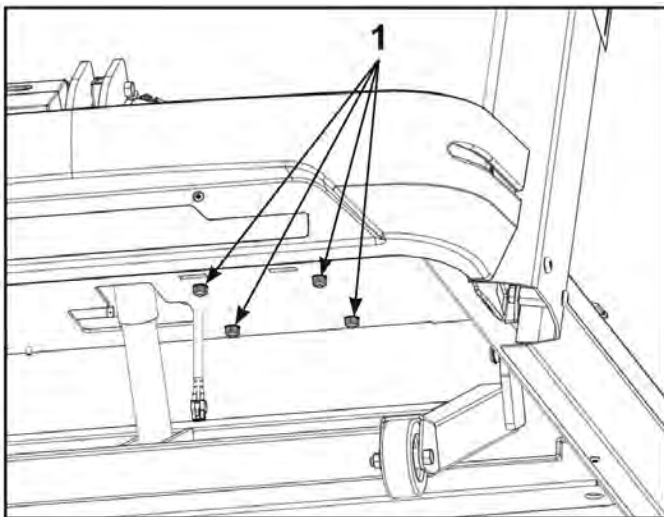


Item	Description	Qty.
1	Front Roller Shield	1
2	Drive Motor Cable	1
3	Motor Controller	2
4	Cable Tie	1

2. Disconnect the drive motor cable from the motor controller.
3. Remove the cable tie securing the drive motor cable to the front roller shield using the side cutters.

Remove drive motor

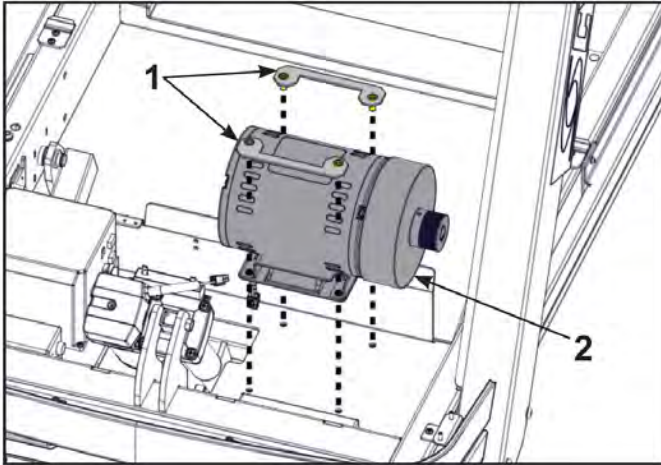
1. Remove the four mounting nuts using a 1/2" Socket with a 6" extension.



Item	Description	Qty.
1	Mounting Nut	4

2. **⚠ WARNING** Heavy parts.
- Parts are heavy.
 - Use safe lifting methods.

Lift the drive motor up and out of the treadmill.

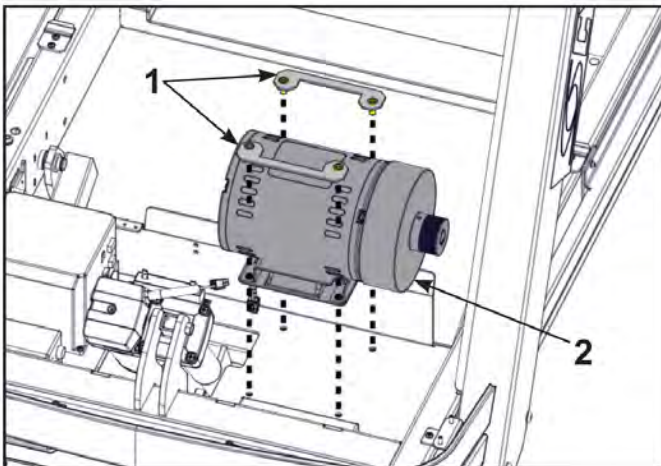


Item	Description	Qty.
1	Drive Motor Mounting Brackets	2
2	Drive Motor	1

3. Remove the drive motor mounting brackets.

Install drive motor

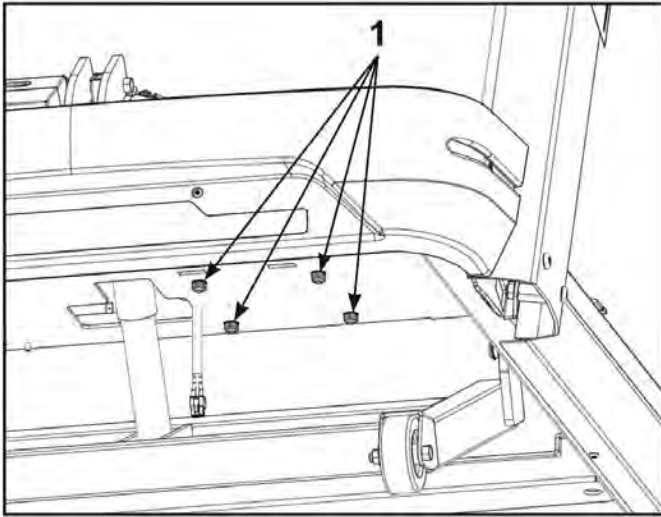
1. Install the drive motor mounting brackets into the drive motor.



Item	Description	Qty.
1	Drive Motor Mounting Brackets	2
2	Drive Motor	1

2. Place the drive motor in the correct position in the treadmill.

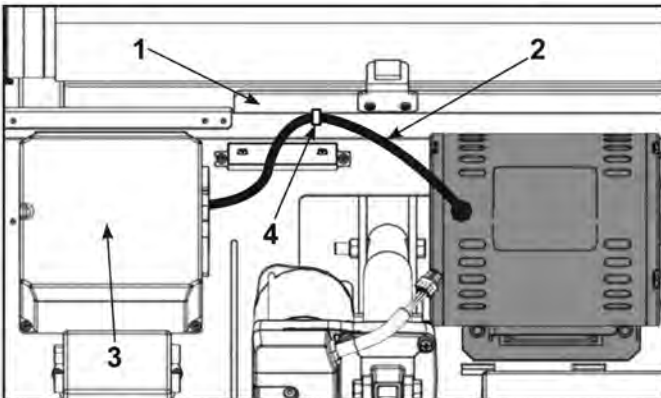
3. Install the four mounting nuts to the drive motor mounting brackets using a 1/2" Socket with a 6" extension.



Item	Description	Qty.
1	Mounting Nut	4

Connect drive motor cable

1. Connect the drive motor cable to the motor controller.



Item	Description	Qty.
1	Front Roller Shield	1
2	Drive Motor Cable	1
3	Motor Controller	2
4	Cable Tie	1

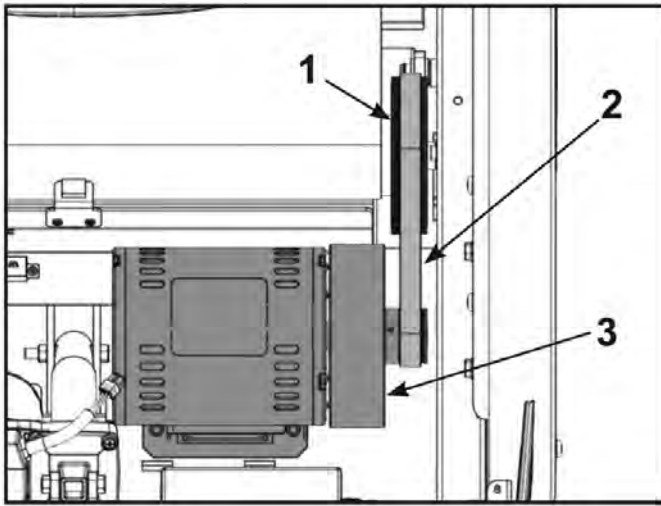
2. Secure the drive motor cable to the front roller shield using a cable tie.
Ensure the drive motor cable is pulled straight to the front roller shield and does not interfere with the motor cover..

Install drive belt

Install the drive belt into the grooves on the drive motor pulley.

Tighten front roller

1. Install the drive belt onto the front roller.



Item	Description	Qty.
1	Front Roller Pulley	1
2	Drive belt	1
3	Drive Motor Pulley	1

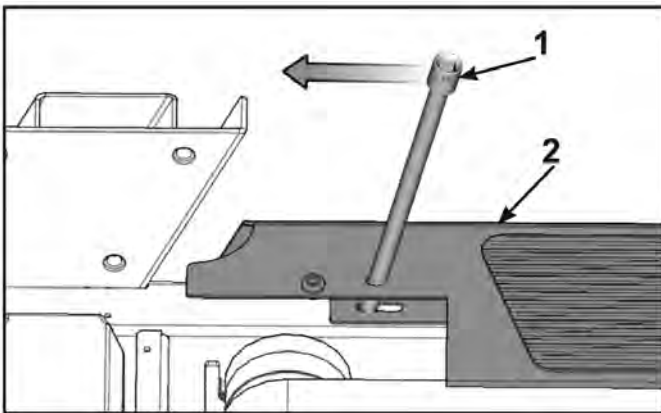
2. Ensure that the drive belt is aligned properly in the grooves on the drive motor pulley and front roller pulley. The drive belt should be positioned in the inner most groove of the drive motor pulley.

Tighten rear roller

1. Tighten the two rear roller bolts using a 3/4" Socket wrench. Tighten each bolt evenly, making sure not to tighten either bolt too many turns before moving to the other bolt.
2. Continue to tighten bolts until the front roller is all the way back in the tensioning slots.
3. Tighten the front roller bolts using a 9/16" Socket wrench.

Install top steps

1. Install right top step by placing in position and inserting a long 3/8" drive socket extension into top step.

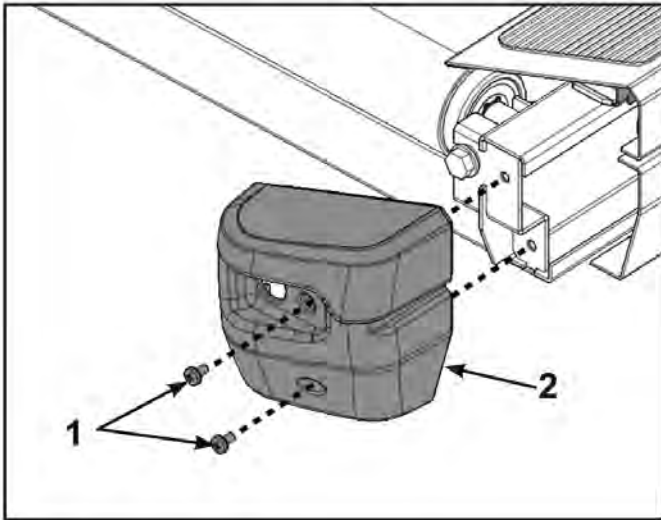


Item	Description	Qty.
1	3/8" Drive Socket Extension	1
2	Right Top Step	1

2. Pry the long 3/8" drive socket extension forwards to secure right top step.
3. Repeat steps 1 and 2 for left top step.

Install end caps

1. Install two screws securing right end cap using a Phillips screwdriver.

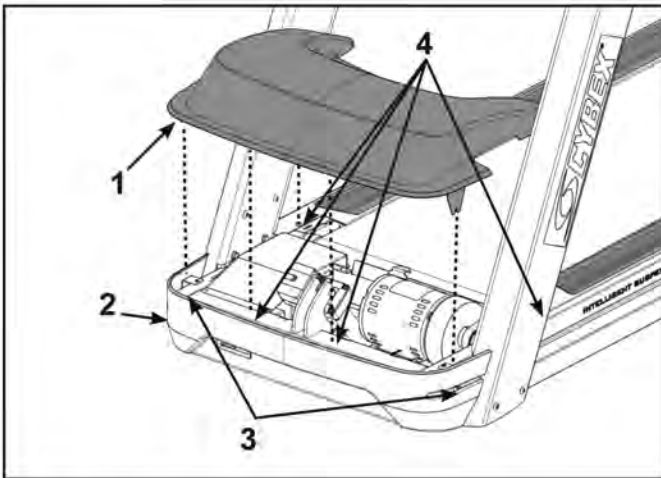


Item	Description	Qty.
1	Screws	2
2	Right end cap	1

2. Repeat step for left end cap.

Install motor cover

1. Place the motor cover into position vertically by aligning the two tabs and four plastic connectors. Two plastic connectors are mounted in the front cover and two in the motor cover. If motor cover top does not fit properly, loosen the side screws as needed.



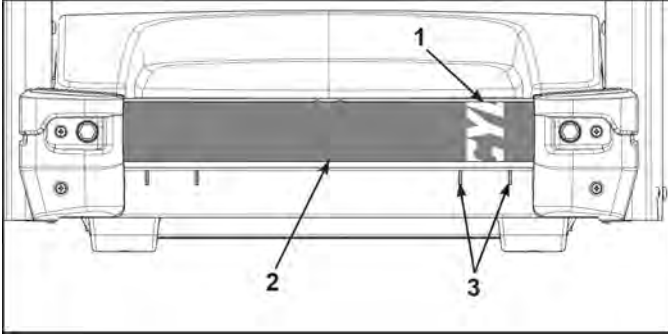
Item	Description	Qty.
1	Motor Cover	1
2	Front Cover	1
3	Screws	2
4	Plastic Connectors	4

2. Tighten the two front cover screws using a Phillips screwdriver. Be sure the screws are securing the motor cover's tabs.

Center and tension the running belt

1. Plug the power cord into the power outlet.
2. Turn the main power switch to the on (I) position.
3. Tap the **Quick Start** icon.

4. Press the **Speed +** key to bring the speed up to 5 mph (8 kph). Allow the treadmill to run for a minute. The lateral position of the running belt is correctly centered when the Cybex logo is centered between the inside edges of the two belt tracking slots. If the Cybex logo is not centered between the belt tracking slots, center the running belt with the following procedure.
5. Observe the Cybex logo position relative to the belt tracking slots with the treadmill running at 5 mph (8 kph).

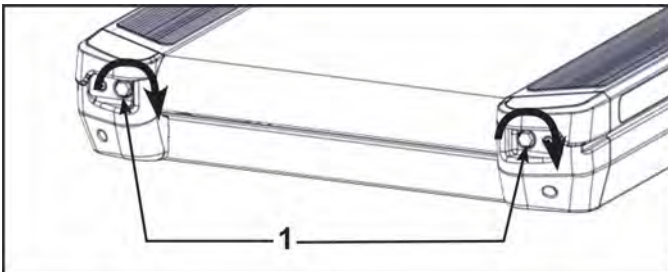


Item	Description	Qty.
1	Cybex logo	1
2	Running belt	1
3	Belt tracking slot	4

While centering the running belt choose one bolt to adjust. Do not adjust both bolts.

6. Tighten the rear roller bolt on the side of the treadmill toward which the running belt is moving using a 3/4" socket wrench.

For example: If the running belt moves to the right of the belt tracking slots, tighten the bolt on the right side of the frame, tighten about 1/2 of a turn (clockwise) and wait 30 seconds. If the running belt does not move back to the center of the belt tracking slots, make another adjustment to the same bolt. Once the running belt has been adjusted closer to the center of the belt tracking slots, use about 1/4 of a turn until the running belt has been stabilized.



Item	Description	Qty.
1	Rear roller bolt	2

7. Check the belt tension after the running belt has been centered. Make sure the running belt tension is tight enough so that the running belt does not slip or hesitate when stepped on. Walk on the treadmill at 3.5 - 4 mph (5.6 - 6.4 kph) and every 4th to 5th step throw your weight into your step to feel if the running belt is slipping. If slipping is felt, confirm it is the running belt slipping and not the drive belt. With the hood cover removed, observe movement at the drive belt and front roller. Do not over tighten the running belt. Over tightening the running belt can cause the belt to stretch and require replacement. Continue procedure until running belt stops slipping.
8. Check running belt for centering position. If running belt is not centered, perform steps 5 and 6.

Complete installation

1. Plug the power cord into the power outlet.
2. Verify the power cord is not being pinched under the front of the treadmill.
3. Operate the unit at all levels to verify proper operation.

Motor Controller

Tools Required:

- Phillips screwdriver

Disconnect power source

Unplug the power cord from the power outlet.

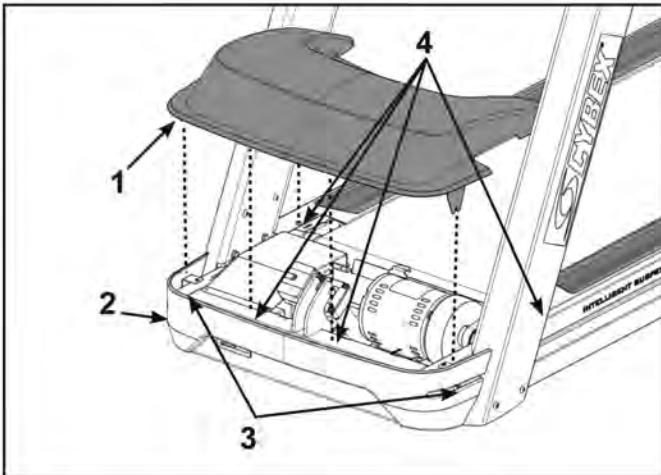
⚠ WARNING

Shock and electrocution hazard.

- Unplug unit and let sit 10 minutes before cleaning or performing maintenance.
- Electrical charge can remain in unit after unplugging.
- Keep water and liquids away from electrical parts.

Remove motor cover

1. Loosen, but do not remove the two front cover screws securing the motor cover using a Phillips screwdriver.

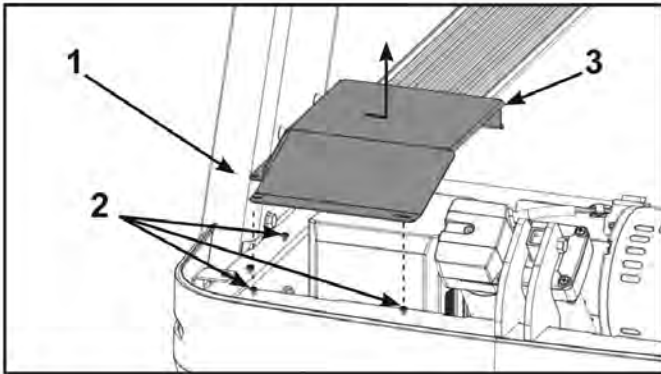


Item	Description	Qty.
1	Motor Cover	1
2	Front Cover	1
3	Screws	2
4	Plastic Connectors	4

2. Remove motor cover by carefully lifting vertically. Do not break the four plastic connectors.

Remove shield

1. Loosen, but do not remove the seven screws securing the shield to the base using a Phillips screwdriver.



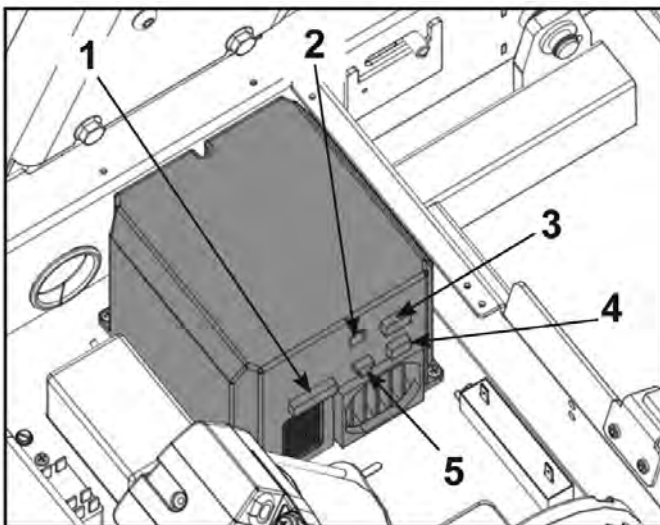
Item	Description	Qty.
1	Base	1
2	Screws	7
3	Shield	1

2. Remove shield by sliding sideways and then vertically off of base.

Disconnect cables from motor controller

Pulling cables by their wires can damage the cables. Remove cables by pulling from connectors.

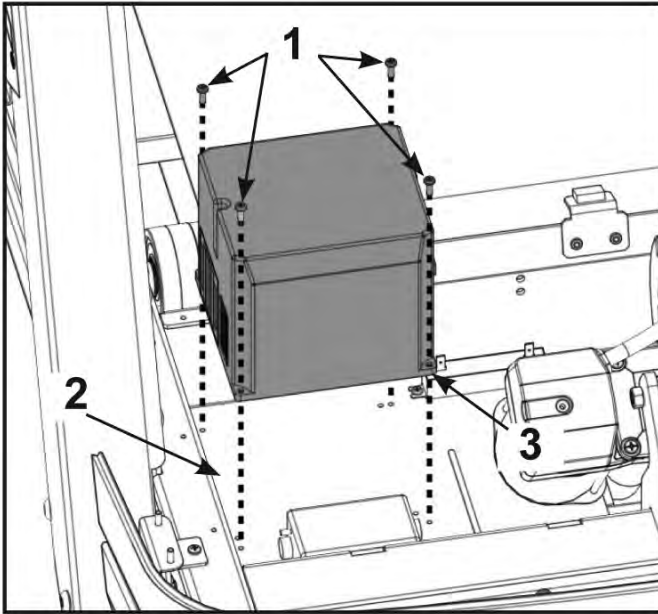
Carefully un-latch the cable connectors from the motor controller. This includes; the power in (INPUT), display cable (COMM.), elevation cable (INCLINE), drive motor cable (OUTPUT) and resistor (DB).



Item	Description	Qty.
1	Power In (INPUT)	1
2	Display Cable (COMM.)	1
3	Elevation Cable (INCLINE)	1
4	Drive Motor Cable (OUTPUT)	1
5	Resistor (DB)	1

Remove motor controller

1. Remove the four screws that hold the motor controller to the motor base plate using a Phillips screwdriver.

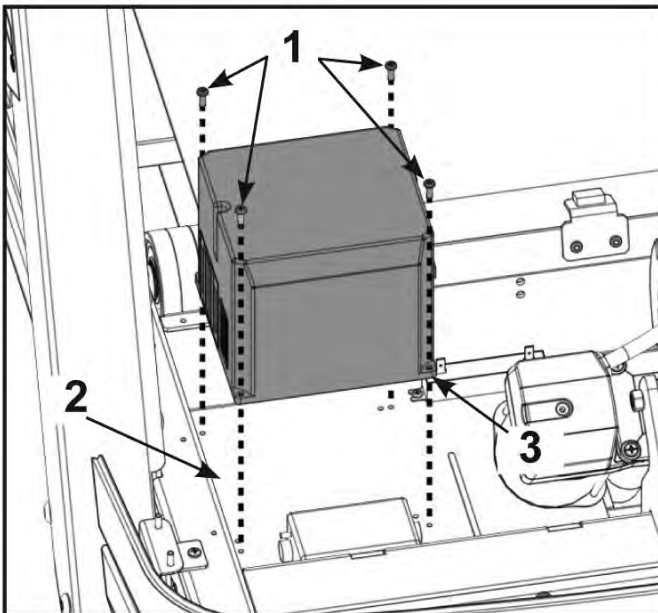


Item	Description	Qty.
1	Screws	4
2	Motor Base Plate	1
3	Motor Controller	1

2. Remove the motor controller.
Cybex may want this part back for evaluation. Contact [Cybex Customer Service](tel:888-462-9239) at 888-462-9239.

Install motor controller

1. Position the motor controller in place on the motor base plate.



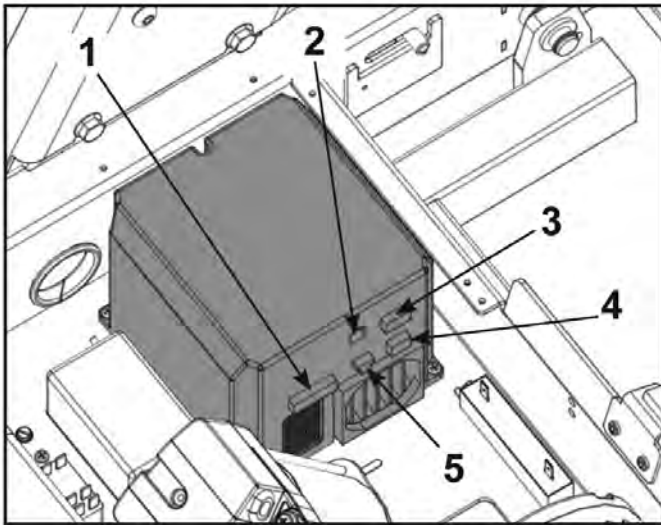
Item	Description	Qty.
1	Screws	4
2	Motor Base Plate	1
3	Motor Controller	1

2. Install the four screws that hold the motor controller to the motor base plate using a Phillips screwdriver.

Connect cables to motor controller

1. Connect the cables to the motor controller.

This includes; the power in (INPUT), display cable (COMM.), elevation cable (INCLINE), drive motor cable (OUTPUT) and resistor (DB).

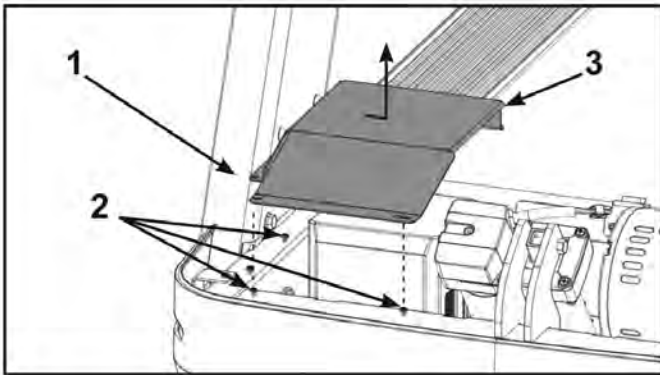


Item	Description	Qty.
1	Power In (INPUT)	1
2	Display Cable (COMM.)	1
3	Elevation Cable (INCLINE)	1
4	Drive Motor Cable (OUTPUT)	1
5	Resistor (DB)	1

2. Ensure all cables are connected firmly and securely in their proper place.

Install shield

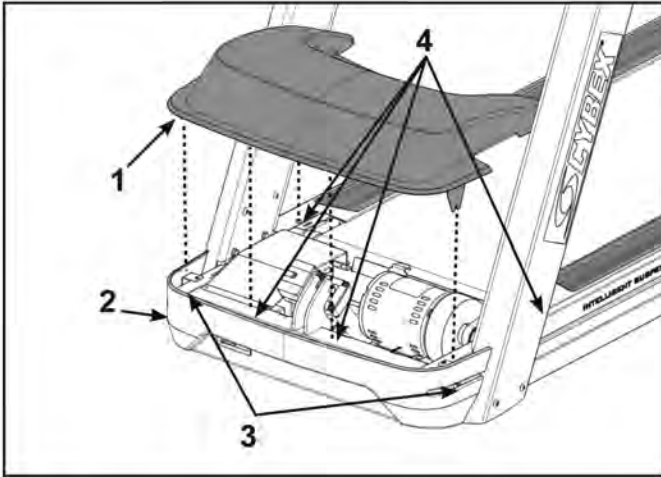
Using a Philips screwdriver tighten the seven screws securing the shield to the base.



Item	Description	Qty.
1	Base	1
2	Screws	7
3	Shield	1

Install motor cover

1. Place the motor cover into position vertically by aligning the two tabs and four plastic connectors. Two plastic connectors are mounted in the front cover and two in the motor cover. If motor cover top does not fit properly, loosen the side screws as needed.



Item	Description	Qty.
1	Motor Cover	1
2	Front Cover	1
3	Screws	2
4	Plastic Connectors	4

2. Tighten the two front cover screws using a Phillips screwdriver. Be sure the screws are securing the motor cover's tabs.

Complete installation

1. Plug the power cord into the power outlet.
2. Verify the power cord is not being pinched under the front of the treadmill.
3. Operate the unit at all levels to verify proper operation.

Power Cord

Tools Required:

- Phillips screwdriver

Disconnect power source

1. Toggle the on/off (I/O) power switch to the off (O) position. The on/off (I/O) power switch is located under the front end of the unit, or on the front right side panel.
2. Unplug the treadmill from the power outlet.

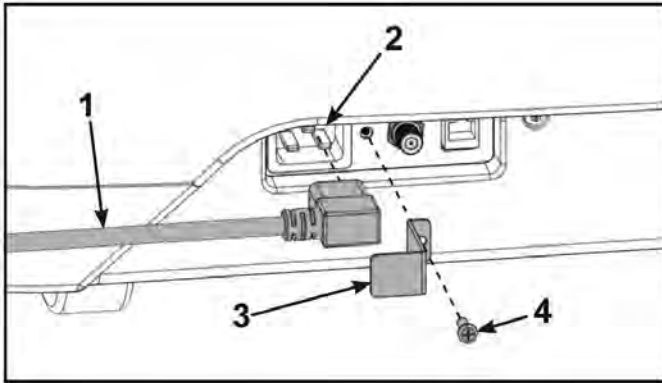
⚠️ WARNING

Shock and electrocution hazard.

- Unplug unit and let sit 10 minutes before cleaning or performing maintenance.
- Electrical charge can remain in unit after unplugging.
- Keep water and liquids away from electrical parts.

Remove power cord

1. Remove the mounting screw securing the mounting bracket in place using a Phillips screwdriver.

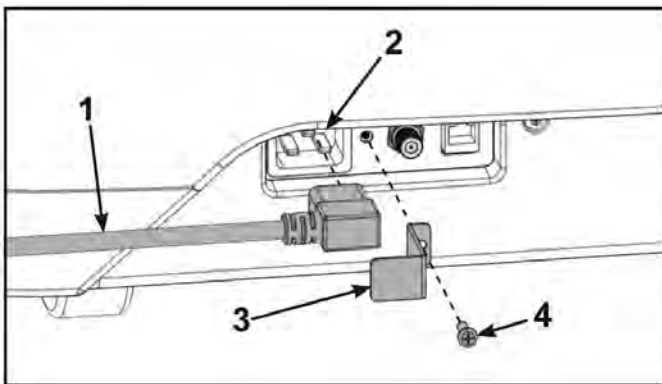


Item	Description	Qty.
1	Power Cord	1
2	Power Cord Inlet	1
3	Mounting Bracket	1
4	Mounting Screw	1

2. Unplug the power cord from the power cord inlet.
Power cord may be routed through frame. See Owner's manual.

Install power cord

1. Plug the power cord into the power cord inlet.



Item	Description	Qty.
1	Power Cord	1
2	Power Cord Inlet	1
3	Mounting Bracket	1
4	Mounting Screw	1

2. Install the power cord with the mounting screw and mounting bracket using a Phillips screwdriver.

Complete installation

1. Plug the power cord into the power outlet.
2. Verify the power cord is not being pinched under the front of the treadmill.
3. Operate the unit at all levels to verify proper operation.

On/Off Switch

Tools Required:

- Phillips screwdriver
- Flat head screwdriver

Disconnect power source

1. Toggle the on/off (I/O) power switch to the off (O) position. The on/off (I/O) power switch is located under the front end of the unit, or on the front right side panel.

2. Unplug the treadmill from the power outlet.

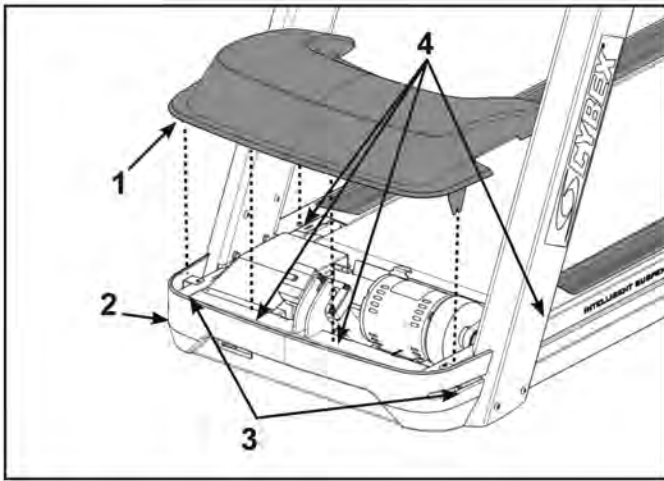
⚠️ WARNING

Shock and electrocution hazard.

- Unplug unit and let sit 10 minutes before cleaning or performing maintenance.
- Electrical charge can remain in unit after unplugging.
- Keep water and liquids away from electrical parts.

Remove motor cover

1. Loosen, but do not remove the two front cover screws securing the motor cover using a Phillips screwdriver.



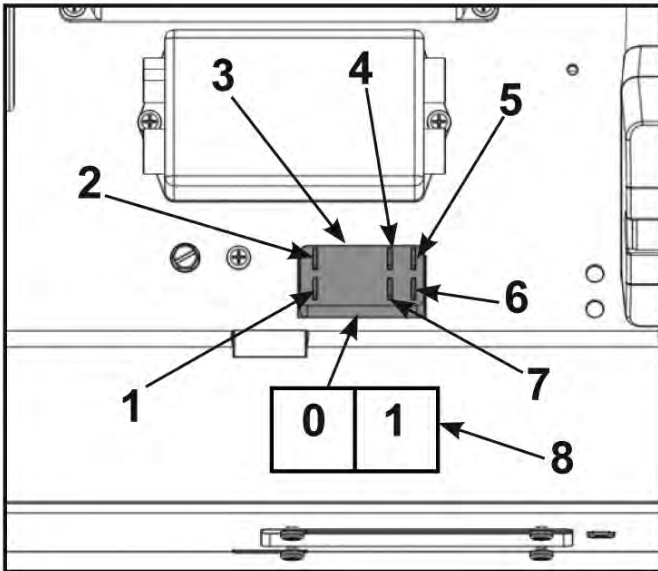
Item	Description	Qty.
1	Motor Cover	1
2	Front Cover	1
3	Screws	2
4	Plastic Connectors	4

2. Remove motor cover by carefully lifting vertically. Do not break the four plastic connectors.

Remove On/Off switch

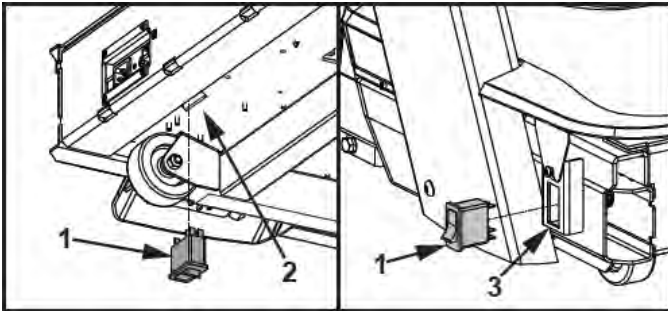
Take notice of which cables are connected to the On/Off switch.

1. Disconnect the six fast-on connectors that connect to the On/Off switch.



Item	Description	Qty.
1	To power inlet (White)	1
2	To power inlet (Black)	1
3	On/Off switch	1
4	To line filter (Black)	1
5	To power supply (Brown)	1
6	To power supply (Blue)	1
7	To line filter (White)	1
8	Position On/Off switch as shown	1

2. Press in the sides of the On/Off switch to remove it from the base plate using a flat head screwdriver.

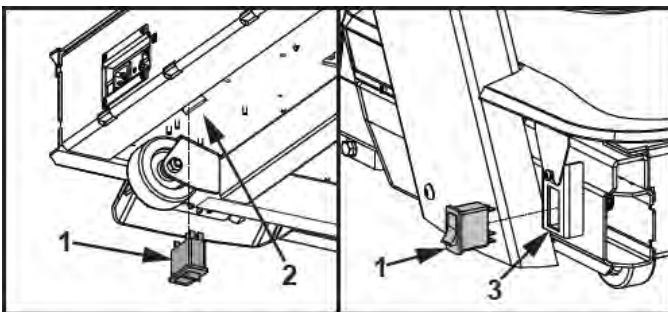


Item	Description	Qty.
1	On/Off switch	1
2	Base plate	1
3	Side plate	1

Install On/Off switch

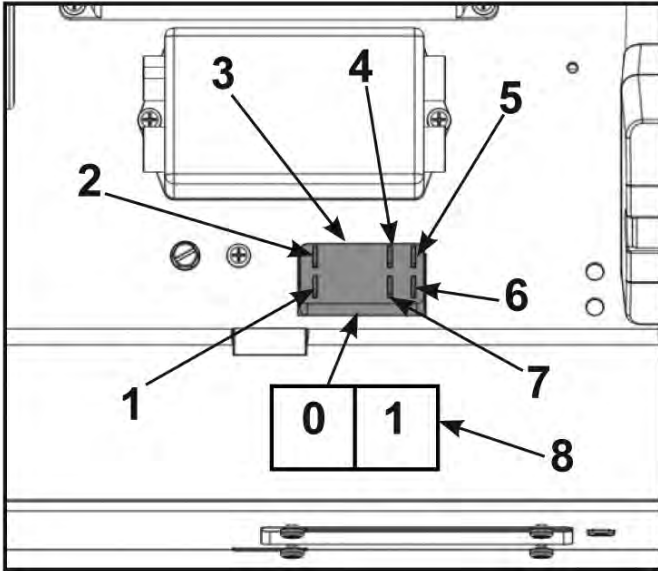
Position On/Off switch as shown.

1. Insert the On/Off switch into the hole in the base plate.



Item	Description	Qty.
1	On/Off switch	1
2	Base plate	1
3	Side plate	1

2. Connect the two white fast-on connectors to the on/off switch.

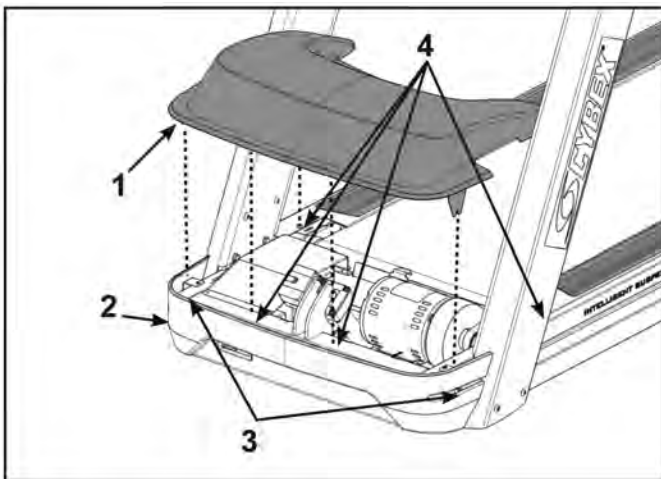


Item	Description	Qty.
1	To power inlet (White)	1
2	To power inlet (Black)	1
3	On/Off switch	1
4	To line filter (Black)	1
5	To power supply (Brown)	1
6	To power supply (Blue)	1
7	To line filter (White)	1
8	Position On/Off switch as shown	1

3. Connect the two black fast-on connectors to the on/off switch.
4. Connect the brown and blue fast-on connectors to the on/off switch.

Install motor cover

1. Place the motor cover into position vertically by aligning the two tabs and four plastic connectors. Two plastic connectors are mounted in the front cover and two in the motor cover. If motor cover top does not fit properly, loosen the side screws as needed.



Item	Description	Qty.
1	Motor Cover	1
2	Front Cover	1
3	Screws	2
4	Plastic Connectors	4

2. Tighten the two front cover screws using a Phillips screwdriver. Be sure the screws are securing the motor cover's tabs.

Complete installation

1. Plug the power cord into the power outlet.
2. Verify the power cord is not being pinched under the front of the treadmill.

- Operate the unit at all levels to verify proper operation.

Power Inlet

Tools Required:

- Phillips screwdriver
- Flat head screwdriver

Disconnect power source

- Toggle the on/off (I/O) power switch to the off (O) position. The on/off (I/O) power switch is located under the front end of the unit, or on the front right side panel.
- Unplug the treadmill from the power outlet.

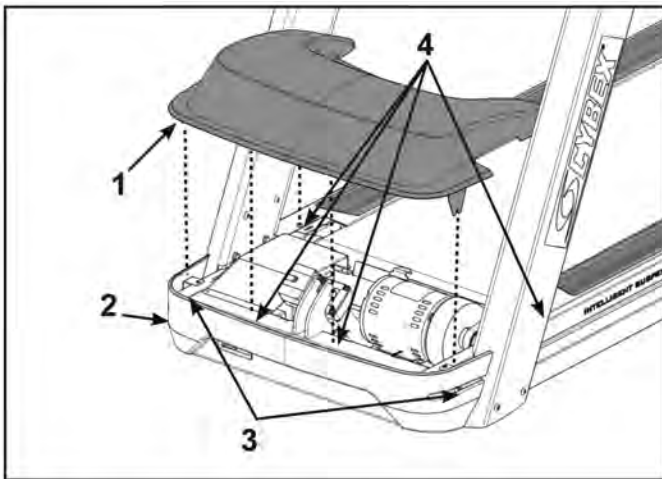
⚠ WARNING

Shock and electrocution hazard.

- Unplug unit and let sit 10 minutes before cleaning or performing maintenance.
- Electrical charge can remain in unit after unplugging.
- Keep water and liquids away from electrical parts.

Remove motor cover

- Loosen, but do not remove the two front cover screws securing the motor cover using a Phillips screwdriver.



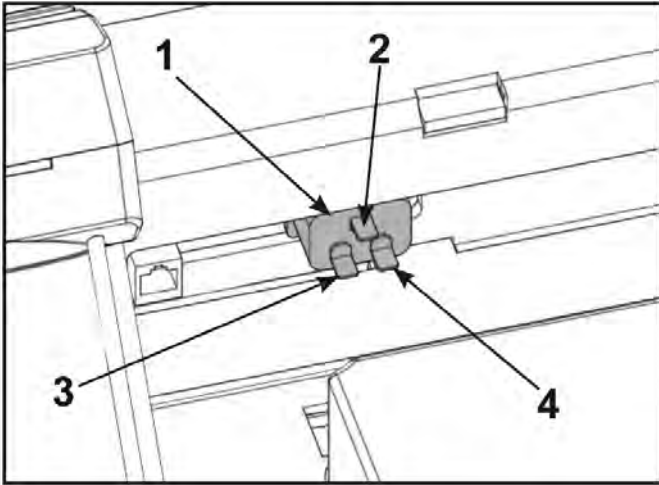
Item	Description	Qty.
1	Motor Cover	1
2	Front Cover	1
3	Screws	2
4	Plastic Connectors	4

- Remove motor cover by carefully lifting vertically. Do not break the four plastic connectors.

Remove power inlet

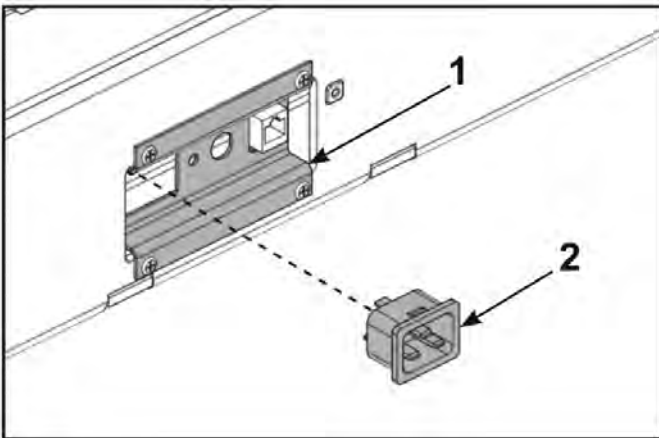
Take notice of which cables are connected to the power inlet.

1. Disconnect the three fast-on connectors that connect to the power inlet.



Item	Description	Qty.
1	Power Inlet	1
2	To Ground Stud (Green)	1
3	To On/Off Switch (White)	1
4	To On/Off Switch (Black)	1

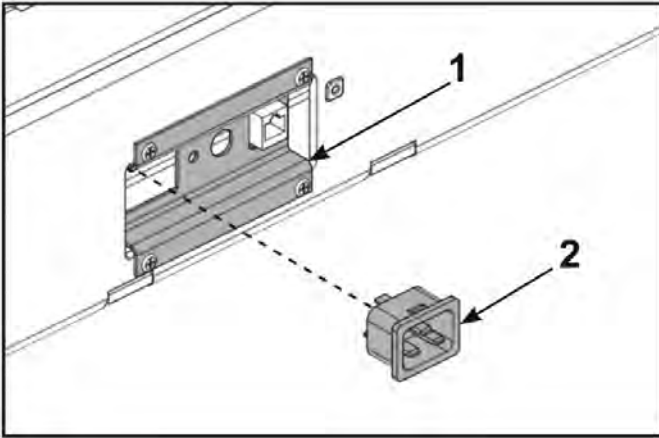
2. Press in the sides of the power inlet to remove it from the mounting plate using a flat head screwdriver.



Item	Description	Qty.
1	Mounting Plate	1
2	Power Inlet	1

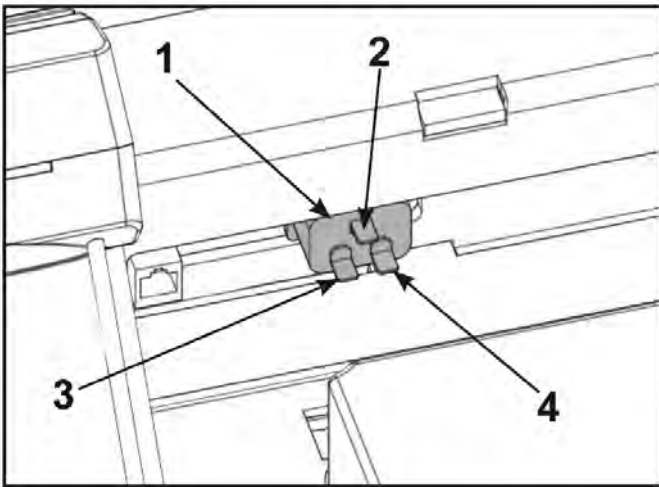
Install power inlet

1. Insert the new power inlet into the hole in the mounting plate.
Ensure power inlet is positioned correctly.



Item	Description	Qty.
1	Mounting Plate	1
2	Power Inlet	1

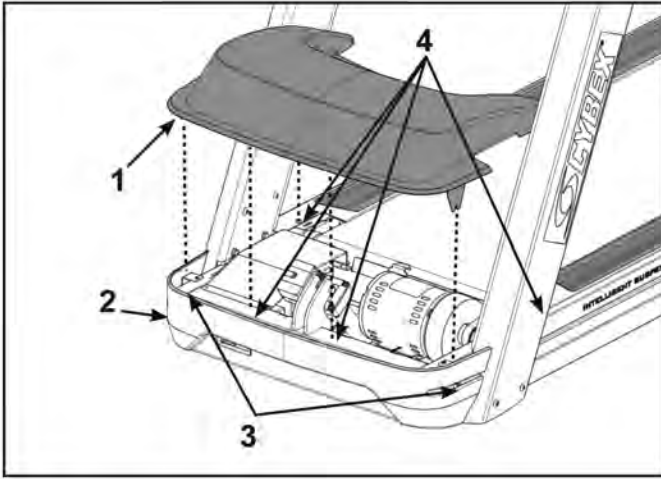
2. Connect the three fast-on connectors to the power inlet.
Ensure cables are connected correctly.



Item	Description	Qty.
1	Power Inlet	1
2	To Ground Stud (Green)	1
3	To On/Off Switch (White)	1
4	To On/Off Switch (Black)	1

Install motor cover

1. Place the motor cover into position vertically by aligning the two tabs and four plastic connectors. Two plastic connectors are mounted in the front cover and two in the motor cover. If motor cover top does not fit properly, loosen the side screws as needed.



Item	Description	Qty.
1	Motor Cover	1
2	Front Cover	1
3	Screws	2
4	Plastic Connectors	4

2. Tighten the two front cover screws using a Phillips screwdriver. Be sure the screws are securing the motor cover's tabs.

Complete installation

1. Plug the power cord into the power outlet.
2. Verify the power cord is not being pinched under the front of the treadmill.
3. Operate the unit at all levels to verify proper operation.

Line Filter

Tools Required:

- Phillips screwdriver

Disconnect power source

Unplug the power cord from the power outlet.

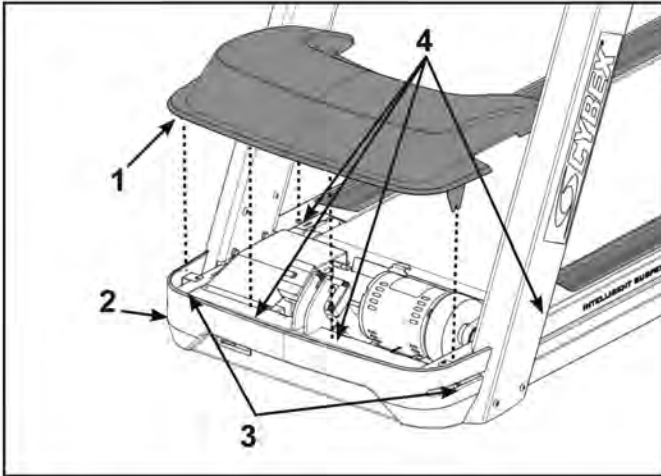
⚠️ WARNING

Shock and electrocution hazard.

- Unplug unit and let sit 10 minutes before cleaning or performing maintenance.
- Electrical charge can remain in unit after unplugging.
- Keep water and liquids away from electrical parts.

Remove motor cover

1. Loosen, but do not remove the two front cover screws securing the motor cover using a Phillips screwdriver.

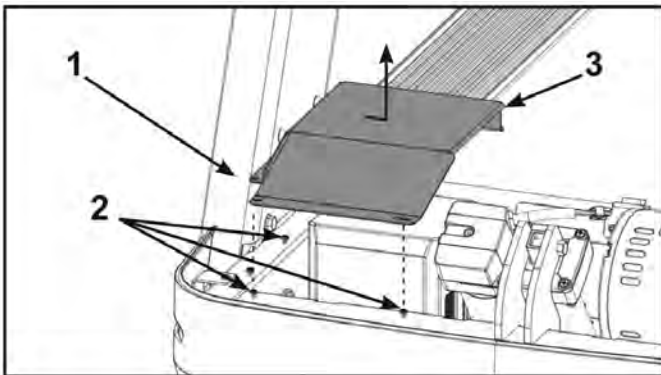


Item	Description	Qty.
1	Motor Cover	1
2	Front Cover	1
3	Screws	2
4	Plastic Connectors	4

2. Remove motor cover by carefully lifting vertically. Do not break the four plastic connectors.

Remove shield

1. Loosen, but do not remove the seven screws securing the shield to the base using a Phillips screwdriver.



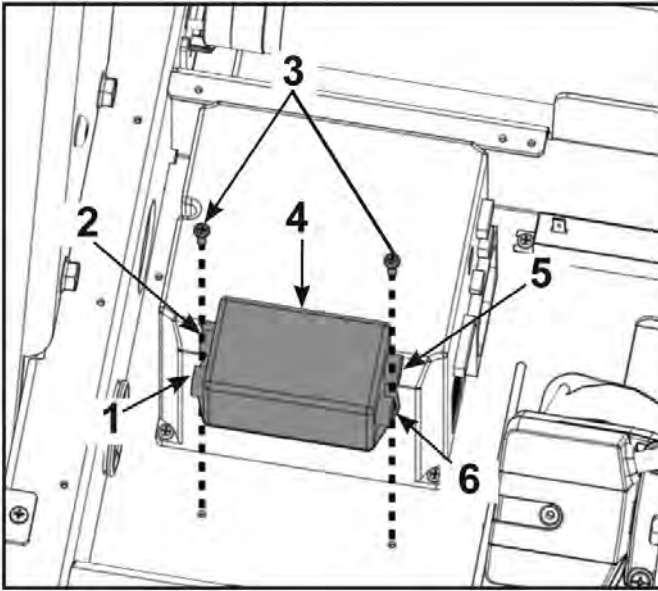
Item	Description	Qty.
1	Base	1
2	Screws	7
3	Shield	1

2. Remove shield by sliding sideways and then vertically off of base.

Remove line filter

Take notice of which cables are connected to the line filter.

1. Disconnect the two fast-ons connectors that go from the line filter to the motor controller.

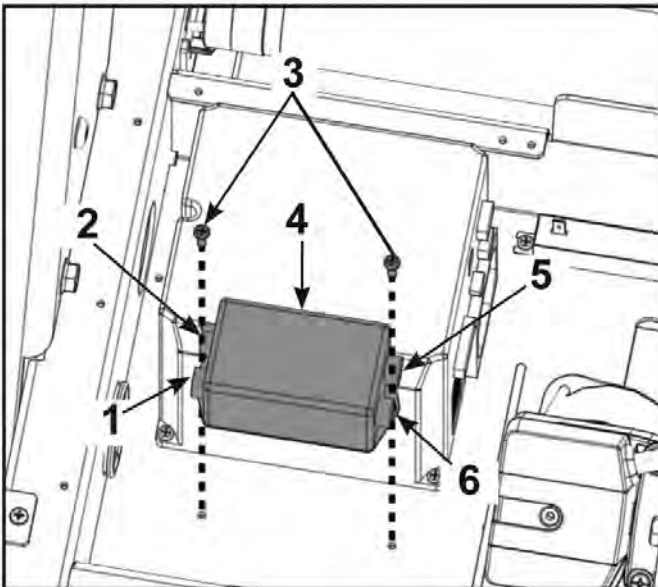


Item	Description	Qty.
1	To On/Off Switch (White)	1
2	To On/Off Switch (Black)	1
3	Screw	2
4	Line Filter	1
5	To Controller (Black)	1
6	To Controller (White)	1

2. Disconnect the two fast-ons connectors that go from the line filter to the On/Off switch.
3. Remove the two screws that hold the line filter to the base plate using a Phillips screwdriver.

Install line filter

1. Place the new line filter in position on the motor base plate.



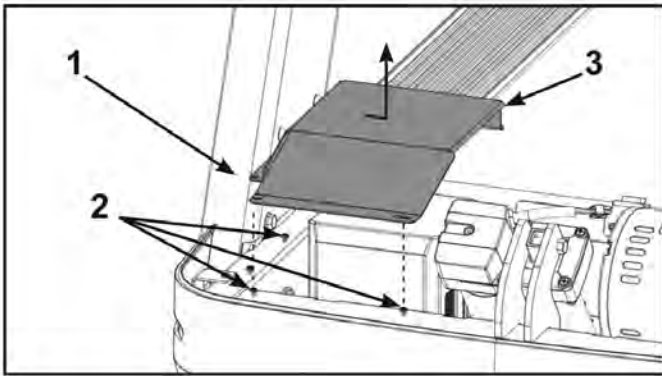
Item	Description	Qty.
1	To On/Off Switch (White)	1
2	To On/Off Switch (Black)	1
3	Screw	2
4	Line Filter	1
5	To Controller (Black)	1
6	To Controller (White)	1

2. Install the two screws that hold the line filter to the base plate using a Phillips screwdriver.
3. Connect the white cable from the On/Off switch to the terminal on the line filter.
4. Connect the black cable from the On/Off switch to the terminal on the line filter.
5. Connect the white cable from the motor controller to the terminal on the line filter.

- Connect the black cable from the motor controller to the terminal on the line filter.

Install shield

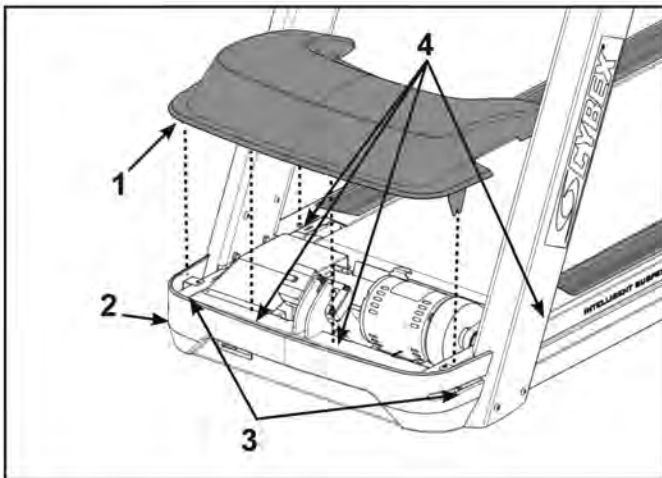
Using a Philips screwdriver tighten the seven screws securing the shield to the base.



Item	Description	Qty.
1	Base	1
2	Screws	7
3	Shield	1

Install motor cover

- Place the motor cover into position vertically by aligning the two tabs and four plastic connectors. Two plastic connectors are mounted in the front cover and two in the motor cover. If motor cover top does not fit properly, loosen the side screws as needed.



Item	Description	Qty.
1	Motor Cover	1
2	Front Cover	1
3	Screws	2
4	Plastic Connectors	4

- Tighten the two front cover screws using a Phillips screwdriver. Be sure the screws are securing the motor cover's tabs.

Complete installation

- Plug the power cord into the power outlet.
- Verify the power cord is not being pinched under the front of the treadmill.
- Operate the unit at all levels to verify proper operation.

Incline Motor

Tools Required:

- Phillips screwdriver
- Block, 4" (10 cm) (2)
- 9/16" Open end wrench
- 9/16" Socket wrench
- Tape measure

Disconnect power source

1. Toggle the on/off (I/O) power switch to the off (O) position. The on/off (I/O) power switch is located under the front end of the unit, or on the front right side panel.
2. Unplug the treadmill from the power outlet.

▲WARNING

Shock and electrocution hazard.

- Unplug unit and let sit 10 minutes before cleaning or performing maintenance.
- Electrical charge can remain in unit after unplugging.
- Keep water and liquids away from electrical parts.

Place blocks under frame

▲WARNING

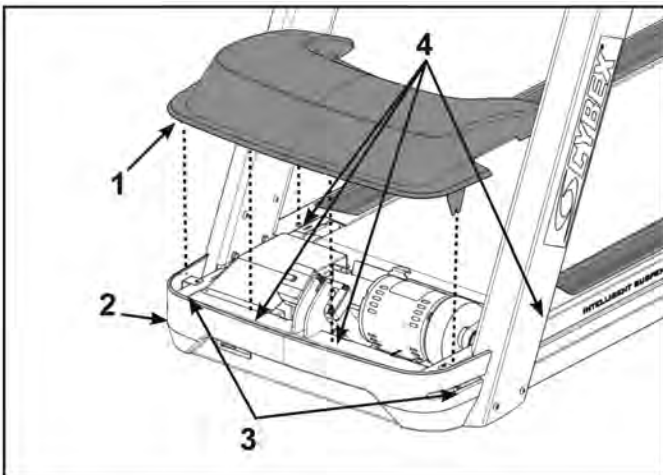
Heavy equipment.

- At least two people must lift, move or assemble unit.
- Use safe lifting methods.

Lift the front of the treadmill with two people, have a third person place a 4" (10 cm) block under each side of the frame to support the front end of the treadmill. This will get the weight of the treadmill off the elevation wheels and provide support.

Remove motor cover

1. Loosen, but do not remove the two front cover screws securing the motor cover using a Phillips screwdriver.

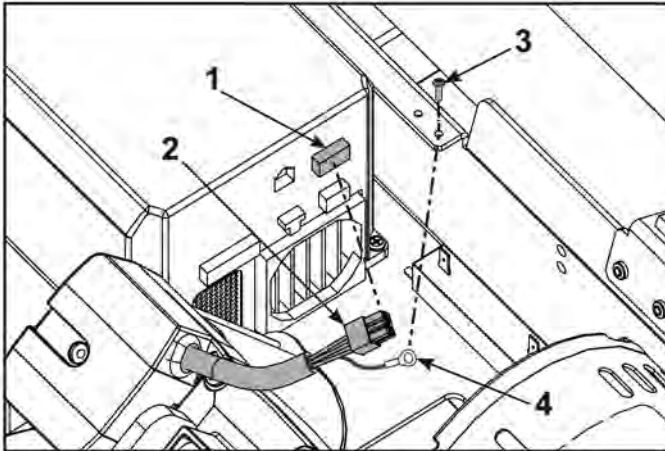


Item	Description	Qty.
1	Motor Cover	1
2	Front Cover	1
3	Screws	2
4	Plastic Connectors	4

- Remove motor cover by carefully lifting vertically. Do not break the four plastic connectors.

Disconnect incline motor cable

- Remove the ground wire screw securing the ground wire using a Phillips screwdriver.



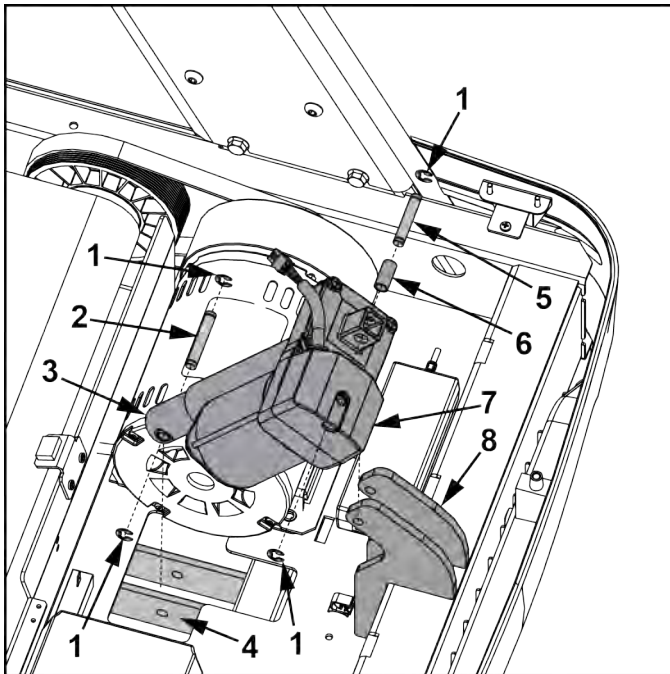
Item	Description	Qty.
1	Motor Controller Connector	1
2	Incline Motor Cable	1
3	Ground Wire Screw	1
4	Ground Wire	1

- Disconnect the incline motor cable by un-latching the connector from the motor controller connector.

Remove elevation motor

Older models use bolts, sleeves, and nuts to secure the tube nut. If used, these will be discarded and replaced with shafts and retaining rings. Use a 9/16" Open end wrench and a 9/16" socket wrench for removal.

- Remove a retaining ring from the tube nut shaft using a flat head screwdriver.



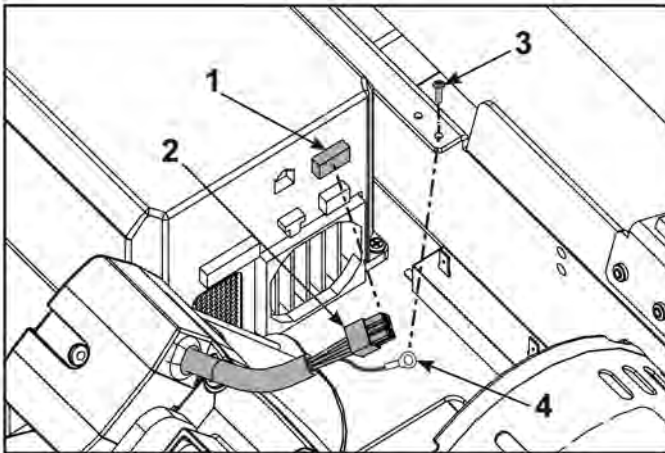
Item	Description	Qty.
1	Retaining ring	4
2	Tube nut shaft	1
3	Tube nut	1
4	Tube nut mounts	1
5	Motor mount shaft	1
6	Sleeve	1
7	Elevation motor	1
8	Frame mounts	1

- Slide the shaft out of the tube nut mounts.
- Remove a retaining ring from the motor mount shaft using a flat head screwdriver. Hold the motor while you remove the shaft so that the motor doesn't fall.

- Lift and remove the elevation motor from the treadmill.

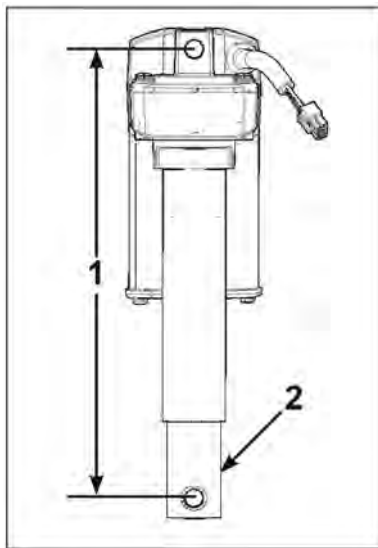
Calibrate Incline motor 770T, 790T

- Plug the incline motor cable into the motor controller connector.



Item	Description	Qty.
1	Motor Controller Connector	1
2	Incline Motor Cable	1
3	Ground Wire Screw	1
4	Ground Wire	1

- Install the ground wire screw securing the ground wire using a Phillips screwdriver.
- Connect the main power cord into the power outlet.
- Turn the main power switch to the on (I) position.
The incline motor will now rotate to find the zero percent position.
- Wait for the incline motor to stop turning.
- Turn the tube nut with your fingers until it measures the correct center to center length. This length is measured from the center of the top hole to the center of the bottom hole.

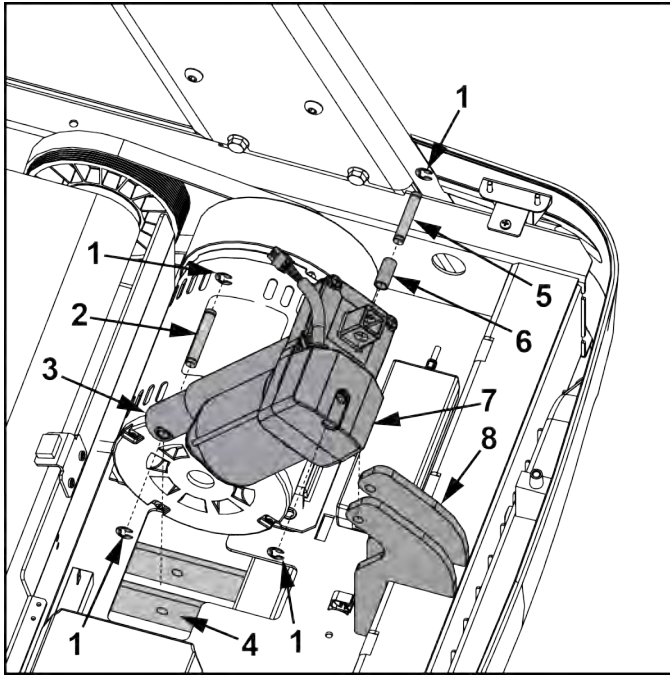


Item	Description	Model	Qty.
1	Center to center length	770T	11.75" (29.8 cm)
1	Center to center length	790T	13.7" (34.8 cm)
2	Tube Nut		1

- Unplug the power cord from the power outlet.

Install incline motor

1. Place the elevation motor in position on the treadmill.



Item	Description	Qty.
1	Retaining ring	4
2	Tube nut shaft	1
3	Tube nut	1
4	Tube nut mounts	1
5	Motor mount shaft	1
6	Sleeve	1
7	Elevation motor	1
8	Frame mounts	1

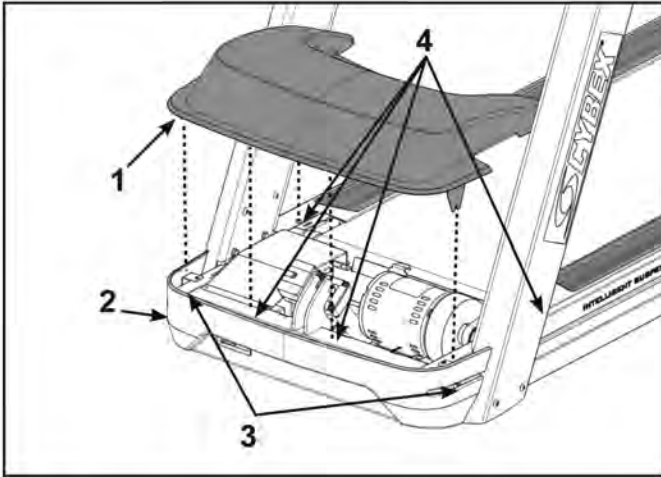
2. Install one retaining ring on the motor mount shaft and one on the tube nut shaft.
3. Apply white lithium grease to the motor mount and tube nut shafts.
4. Slide the motor mount shaft into the frame mounts and elevation motor.
5. Slide the tube nut shaft into the tube nut mounts and tube nut.
6. Install retaining rings to secure the motor mount and tube nut shafts.

Test elevation motor

1. Plug the power cord into the power outlet.
2. Start the treadmill in Manual Mode and raise the elevation until the 4" (10 cm) blocks can be removed.
3. Remove the 4" (10 cm) blocks.
4. Lower the elevation to zero percent.
5. Unplug the power cord from the power outlet.

Install motor cover

1. Place the motor cover into position vertically by aligning the two tabs and four plastic connectors. Two plastic connectors are mounted in the front cover and two in the motor cover. If motor cover top does not fit properly, loosen the side screws as needed.



Item	Description	Qty.
1	Motor Cover	1
2	Front Cover	1
3	Screws	2
4	Plastic Connectors	4

2. Tighten the two front cover screws using a Phillips screwdriver. Be sure the screws are securing the motor cover's tabs.

Complete installation

1. Plug the power cord into the power outlet.
2. Verify the power cord is not being pinched under the front of the treadmill.
3. Operate the unit at all levels to verify proper operation.

Console Assembly

Fan

Tools Required:

- Phillips screwdriver
- ESD (Electrostatic Discharge) grounding strap

Disconnect power source

Unplug the power cord from the power outlet.

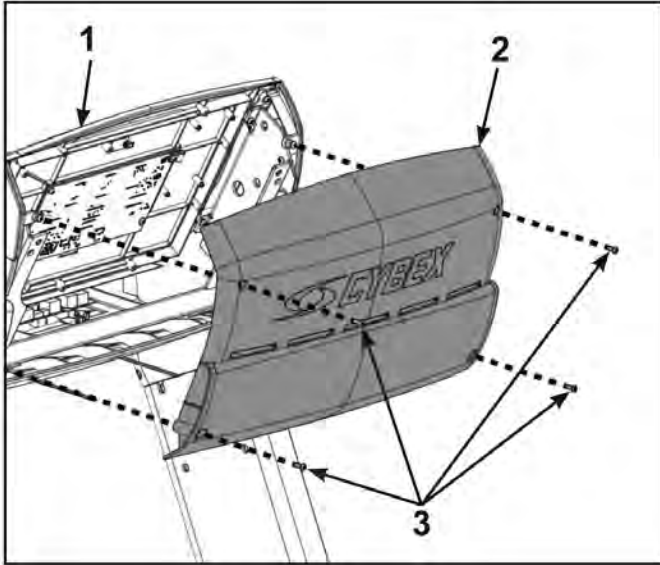
⚠️ WARNING

Shock and electrocution hazard.

- Unplug unit and let sit 10 minutes before cleaning or performing maintenance.
- Electrical charge can remain in unit after unplugging.
- Keep water and liquids away from electrical parts.

Remove back cover

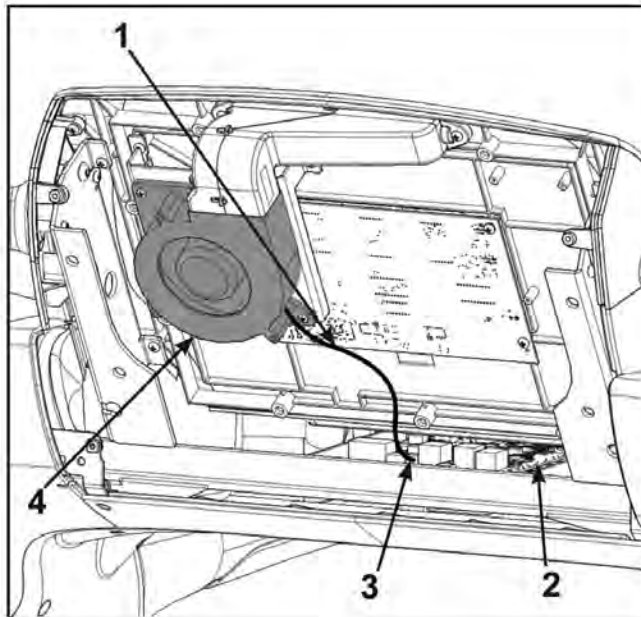
Remove four screws securing back cover to console assembly using a Phillips screwdriver.



Item	Description	Qty.
1	Console Assembly	1
2	Back Cover	1
3	Screws	4

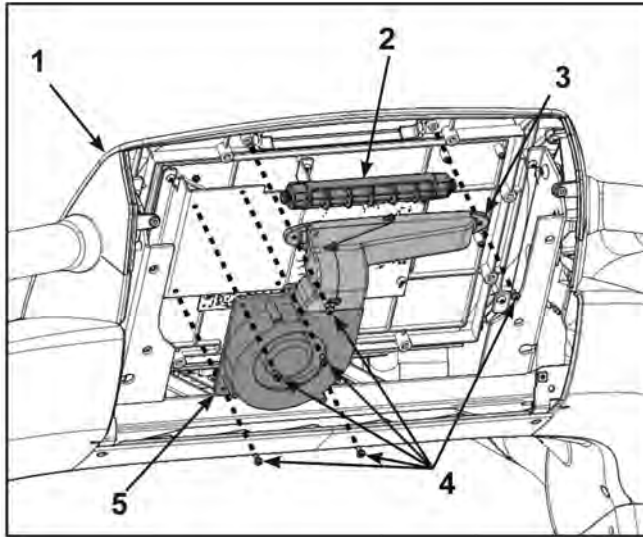
Remove fan

1. Unplug the fan cable by un-latching connector (J19) from the MCC board.



Item	Description	Qty.
1	Fan Cable	1
2	MCC Board	1
3	J19	1
4	Fan	1

- Remove the six screws securing the fan and duct to the console assembly using a Phillips screwdriver.

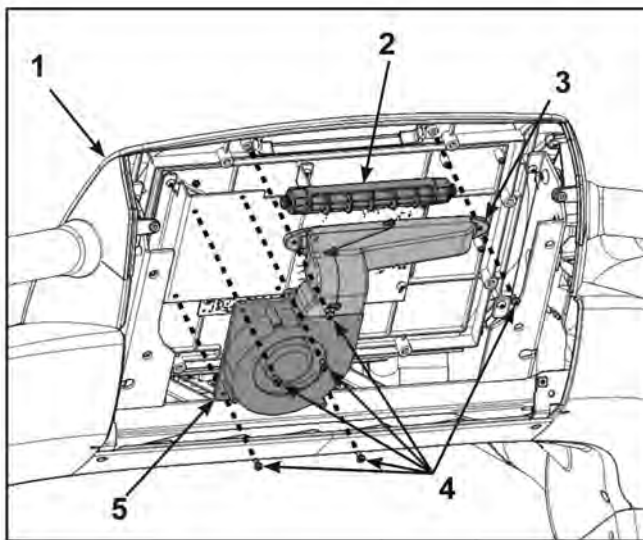


Item	Description	Qty.
1	Console Assembly	1
2	Louver	1
3	Duct	1
4	Screw	6
5	Fan	1

The louver is held in place by the duct.

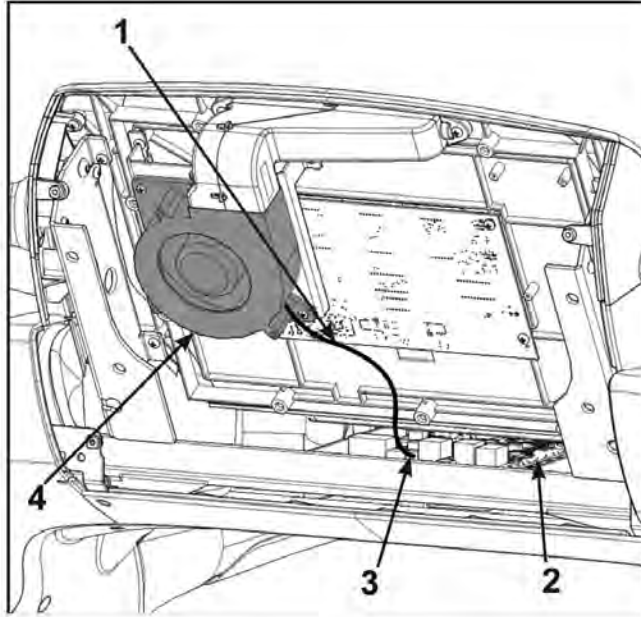
Install fan

- Install six screws securing fan and duct to console assembly using a Phillips screwdriver.
The louver is held in place with the duct.



Item	Description	Qty.
1	Console Assembly	1
2	Louver	1
3	Duct	1
4	Screw	6
5	Fan	1

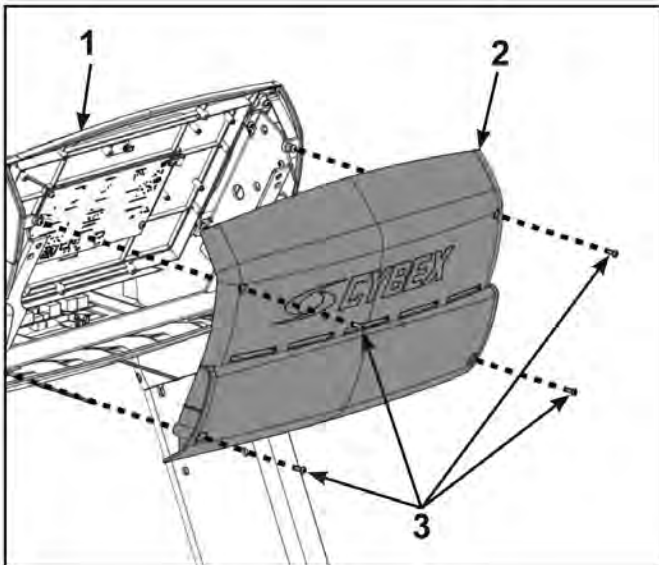
2. Plug fan cable into connector (J19) on MCC board.



Item	Description	Qty.
1	Fan Cable	1
2	MCC Board	1
3	J19	1
4	Fan	1

Install back cover

Install the four screws securing the back cover to the console assembly using a Phillips screwdriver.



Item	Description	Qty.
1	Console Assembly	1
2	Back Cover	1
3	Screws	4

Complete installation

1. Plug the power cord into the power outlet.
2. Verify the power cord is not being pinched under the front of the treadmill.
3. Operate the unit at all levels to verify proper operation.

Display Board

Tools Required:

- Phillips screwdriver
- ESD (Electrostatic Discharge) grounding strap
- USB stick (CP-23199)

Disconnect power source

Unplug the power cord from the power outlet.

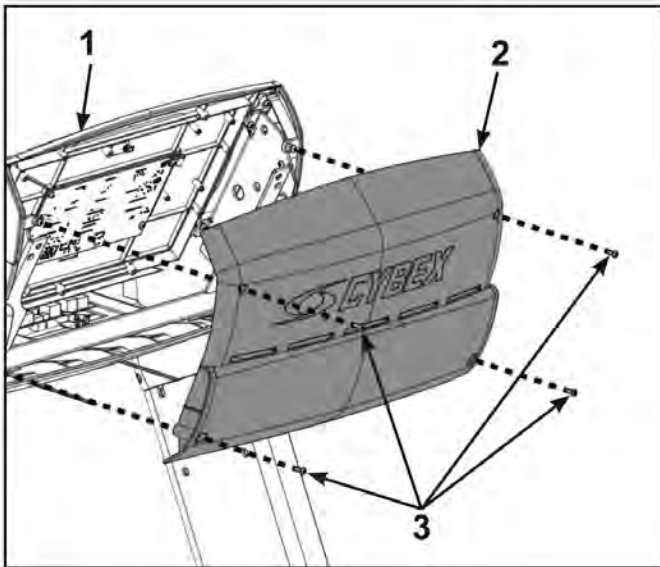
⚠️ WARNING

Shock and electrocution hazard.

- Unplug unit and let sit 10 minutes before cleaning or performing maintenance.
- Electrical charge can remain in unit after unplugging.
- Keep water and liquids away from electrical parts.

Remove back cover

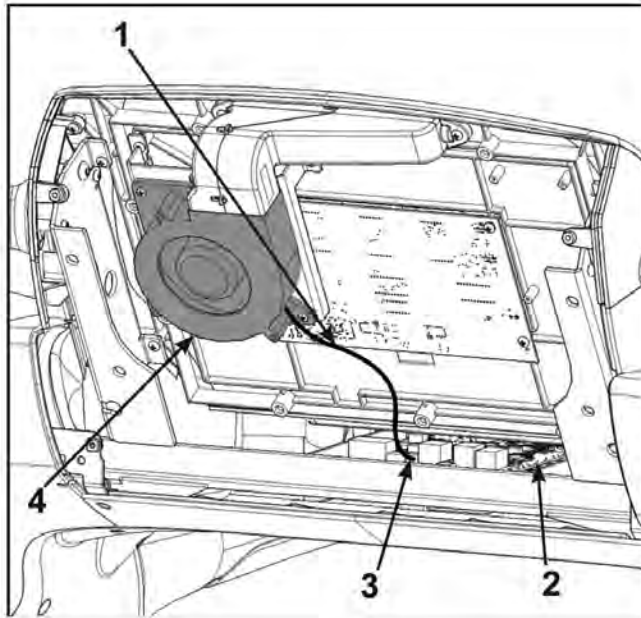
Remove four screws securing back cover to console assembly using a Phillips screwdriver.



Item	Description	Qty.
1	Console Assembly	1
2	Back Cover	1
3	Screws	4

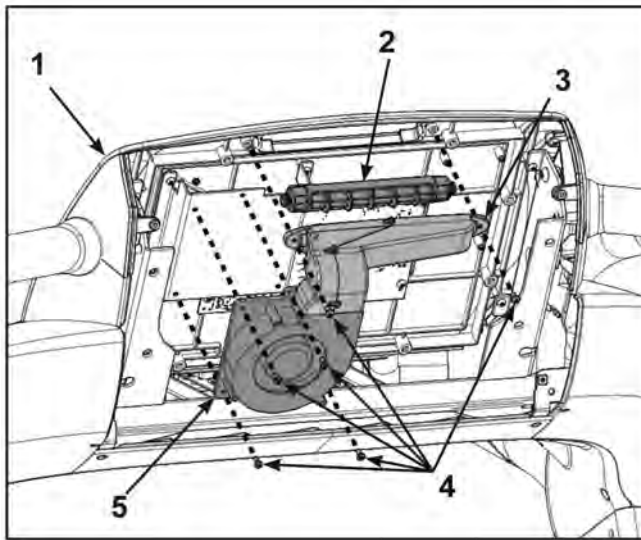
Remove fan

1. Unplug the fan cable by un-latching connector (J19) from the MCC board.



Item	Description	Qty.
1	Fan Cable	1
2	MCC Board	1
3	J19	1
4	Fan	1

2. Remove the six screws securing the fan and duct to the console assembly using a Phillips screwdriver.



Item	Description	Qty.
1	Console Assembly	1
2	Louver	1
3	Duct	1
4	Screw	6
5	Fan	1

The louver is held in place by the duct.

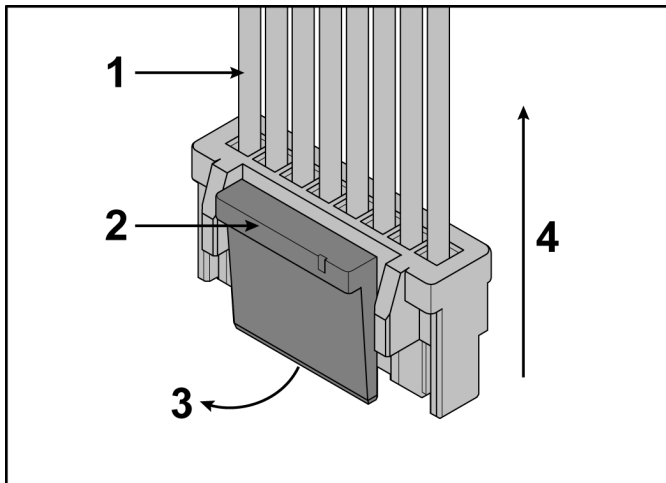
Remove display board

NOTICE

Repairs and Service. Do not damage the wires or connectors when installing or removing cables.

1. Disconnect the display board cable from the MCC board connector (J16).

a) Press in the top of the cable connector.

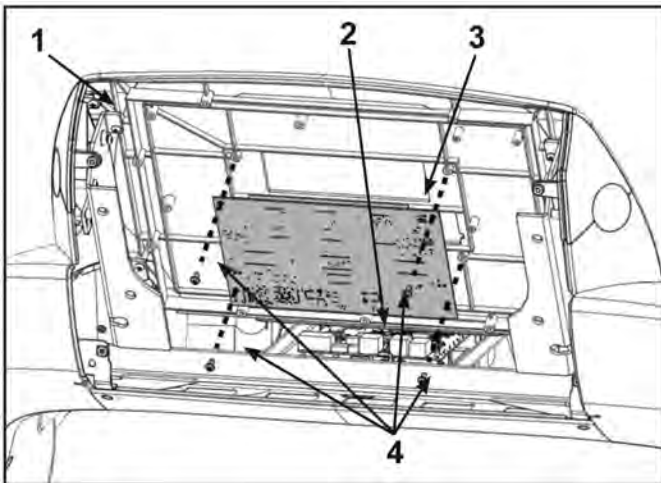


Item	Description	Qty.
1	DO NOT PULL CONNECTOR OUT BY THE WIRES!	1
2	Step a, Latch	1
3	Step b	1
4	Step c	1

b) Ensure latch disengages the connector.

c) Unplug cable by holding down latch and pulling straight out from connector. Do not pull on wires, remove by connector.

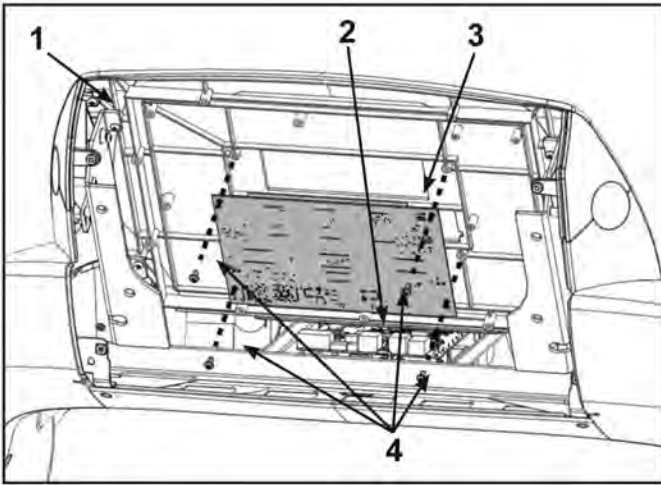
2. Remove the four screws securing the display board to the console assembly using a Phillips screwdriver.



Item	Description	Qty.
1	Console Assembly	1
2	Display Board Connector	1
3	Display Board	1
4	Display Board Screw	4

Install display board

1. Install the four screws securing the display board to the console assembly using a Phillips screwdriver.

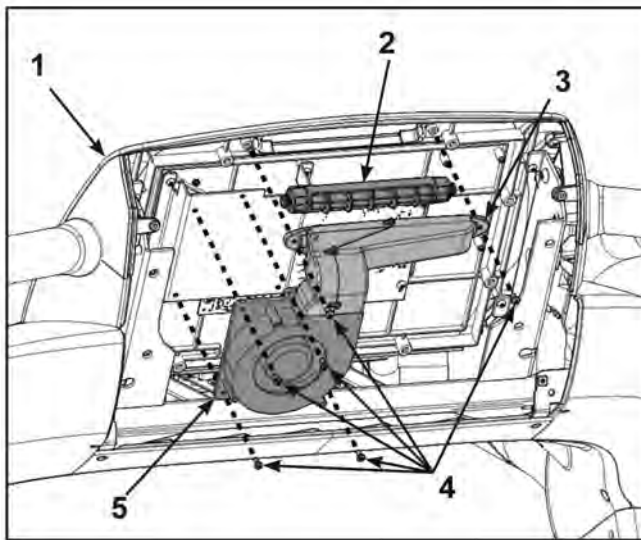


Item	Description	Qty.
1	Console Assembly	1
2	Display Board Connector	1
3	Display Board	1
4	Display Board Screw	4

2. Connect the display board cable to the MCC board connector (J16).

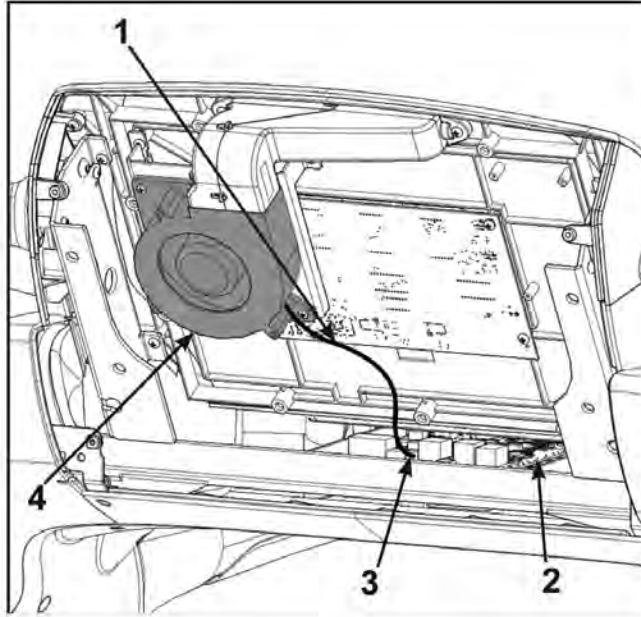
Install fan

1. Install six screws securing fan and duct to console assembly using a Phillips screwdriver.
The louver is held in place with the duct.



Item	Description	Qty.
1	Console Assembly	1
2	Louver	1
3	Duct	1
4	Screw	6
5	Fan	1

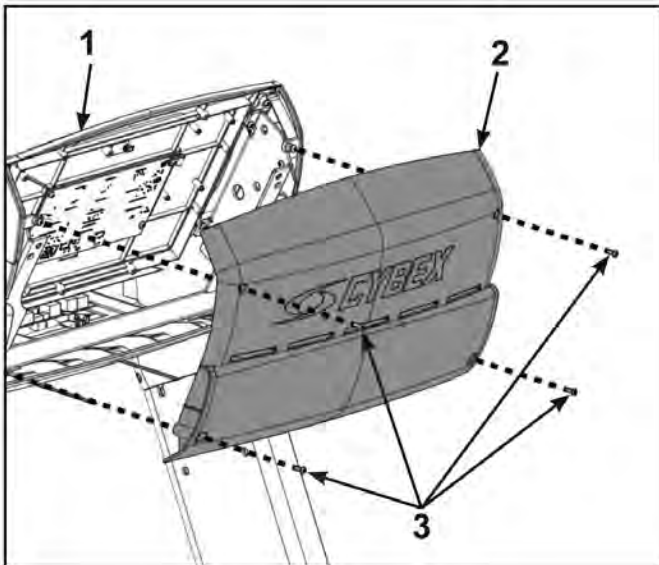
2. Plug fan cable into connector (J19) on MCC board.



Item	Description	Qty.
1	Fan Cable	1
2	MCC Board	1
3	J19	1
4	Fan	1

Install back cover

Install the four screws securing the back cover to the console assembly using a Phillips screwdriver.



Item	Description	Qty.
1	Console Assembly	1
2	Back Cover	1
3	Screws	4

Update software

Update software using the following [procedure](#).

Complete installation

1. Plug the power cord into the power outlet.
2. Verify the power cord is not being pinched under the front of the treadmill.
3. Operate the unit at all levels to verify proper operation.

E3 View Monitor

Tools Required:

- Phillips screwdriver
- 11/32" Nut driver
- ESD (Electrostatic Discharge) grounding strap

Disconnect power source

Unplug the power cord from the power outlet.

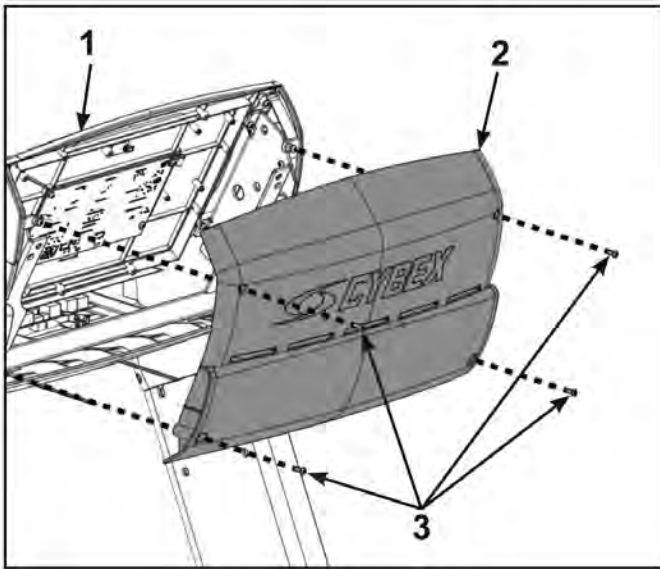
⚠ WARNING

Shock and electrocution hazard.

- Unplug unit and let sit 10 minutes before cleaning or performing maintenance.
- Electrical charge can remain in unit after unplugging.
- Keep water and liquids away from electrical parts.

Remove back cover

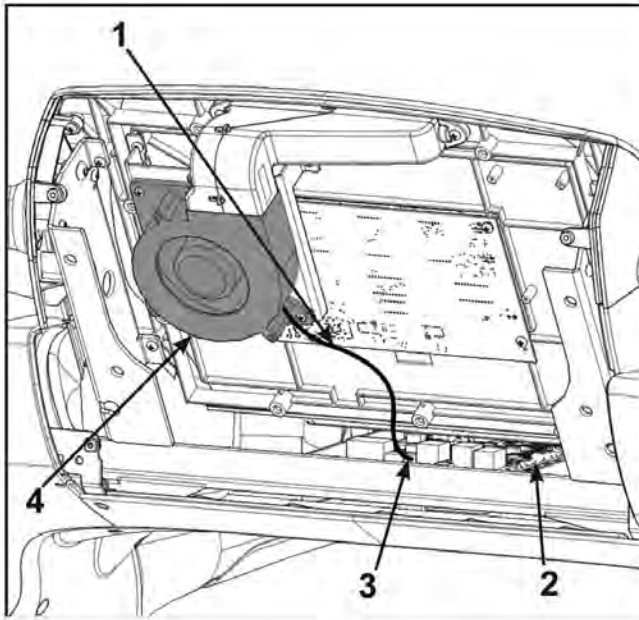
Remove four screws securing back cover to console assembly using a Phillips screwdriver.



Item	Description	Qty.
1	Console Assembly	1
2	Back Cover	1
3	Screws	4

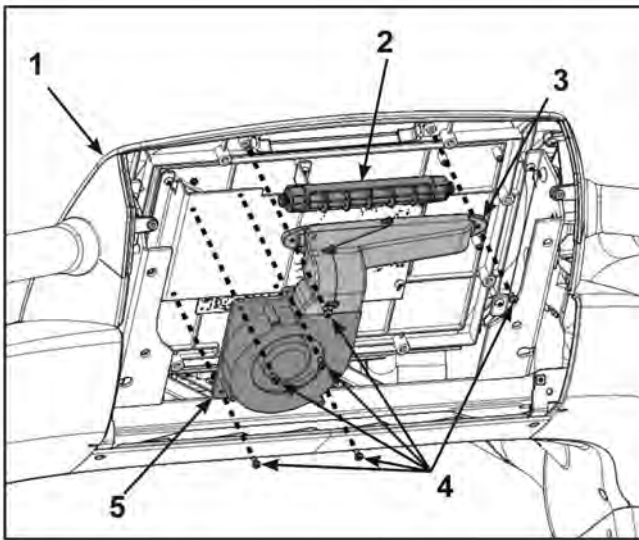
Remove fan

1. Unplug the fan cable by un-latching connector (J19) from the MCC board.



Item	Description	Qty.
1	Fan Cable	1
2	MCC Board	1
3	J19	1
4	Fan	1

2. Remove the six screws securing the fan and duct to the console assembly using a Phillips screwdriver.



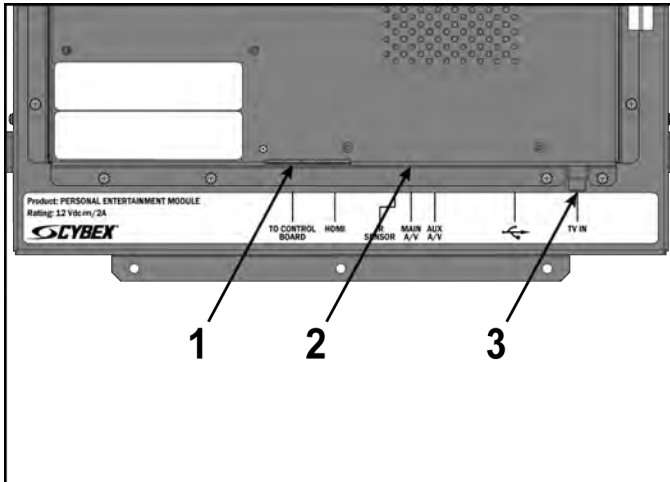
Item	Description	Qty.
1	Console Assembly	1
2	Louver	1
3	Duct	1
4	Screw	6
5	Fan	1

The louver is held in place by the duct.

Remove E3 View Monitor

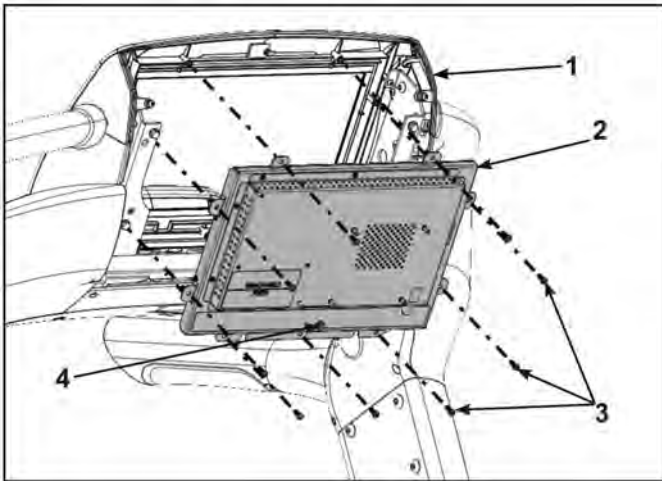
1. Unplug IR receiver cable from E3 View Monitor.

- Unplug control board cable and Audio Visual cable from the E3 View monitor.



Item	Description	Qty.
1	Control board cable	1
2	A/V cable	1
3	Coax cable	1

- Unscrew the coax cable from the E3 View monitor.
- Remove the ground cable from the E3 View monitor using an 11/32" nut driver.



Item	Description	Qty.
1	Console Assembly	1
2	E3 View Monitor	1
3	Screw	9
4	Ground wire screw	1

- NOTICE** Component damage. Do not touch front of E3 View Monitor. Oil from fingertips will mark screen.

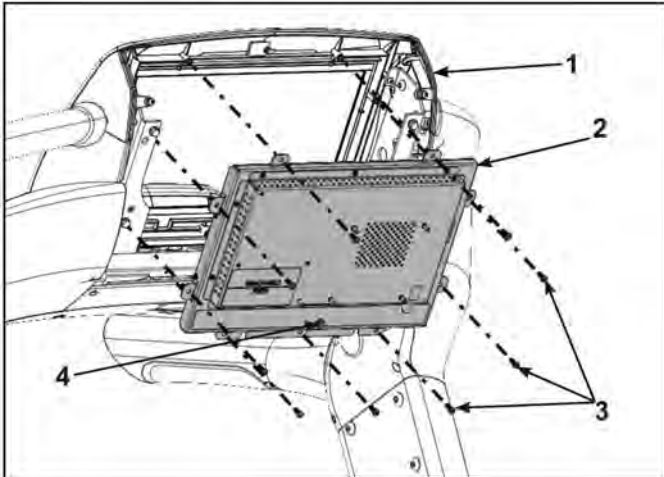
Remove the nine screws securing the E3 View Monitor to the console using a Phillips screwdriver.

Install E3 View Monitor

- NOTICE** Component damage. Do not touch front of E3 View Monitor. Oil from fingertips will mark screen.

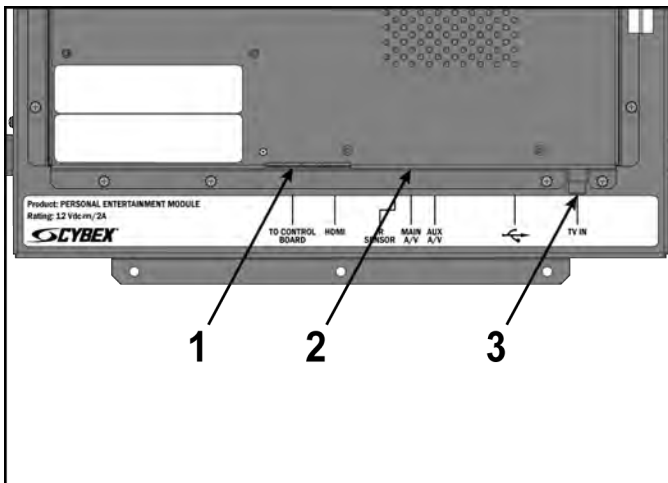
Remove protective cover from new E3 View monitor screen and place on old E3 View monitor.

- Install the nine screws securing the E3 View Monitor to the console using a Phillips screwdriver.



Item	Description	Qty.
1	Console Assembly	1
2	E3 View Monitor	1
3	Screw	9
4	Ground wire screw	1

- Install the ground cable to the E3 View monitor using an 11/32" nut driver.
- Screw the A/V and coax cables into the E3 View monitor.

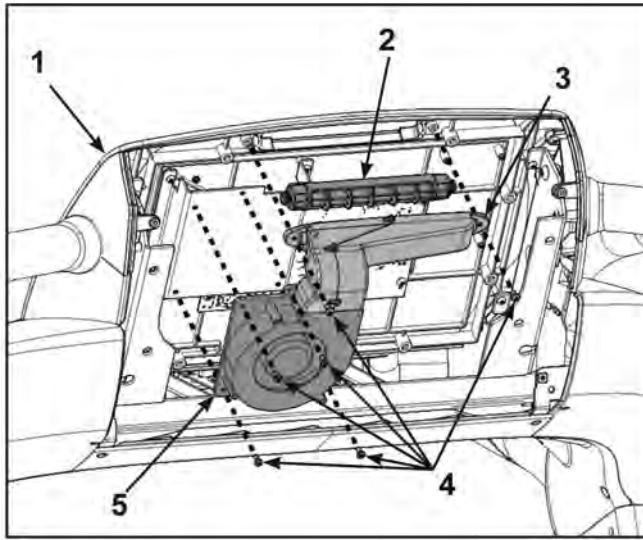


Item	Description	Qty.
1	Control board cable	1
2	A/V cable	1
3	Coax cable	1

- Plug IR receiver cable into E3 View Monitor.

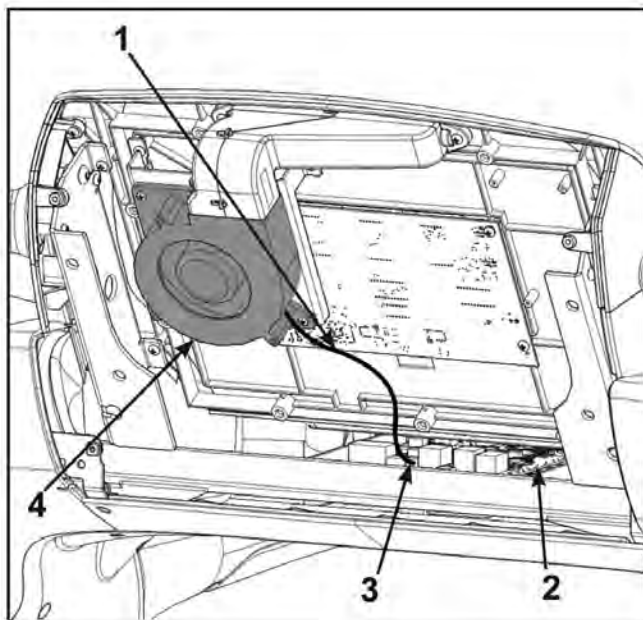
Install fan

1. Install six screws securing fan and duct to console assembly using a Phillips screwdriver. The louver is held in place with the duct.



Item	Description	Qty.
1	Console Assembly	1
2	Louver	1
3	Duct	1
4	Screw	6
5	Fan	1

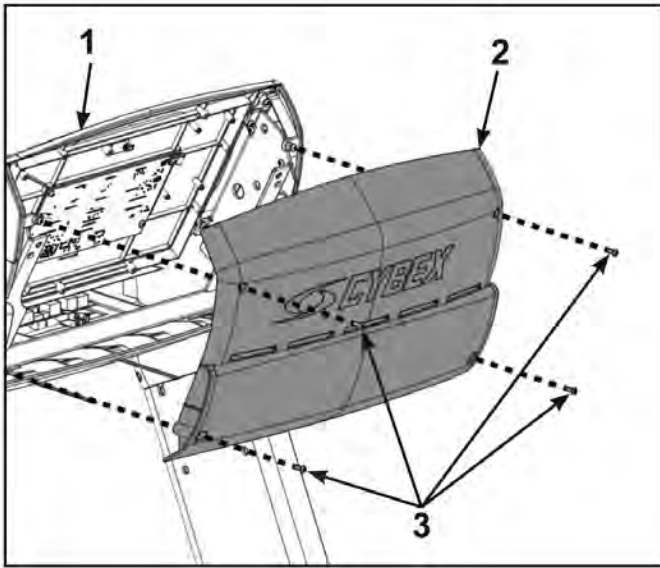
2. Plug fan cable into connector (J19) on MCC board.



Item	Description	Qty.
1	Fan Cable	1
2	MCC Board	1
3	J19	1
4	Fan	1

Install back cover

Install the four screws securing the back cover to the console assembly using a Phillips screwdriver.



Item	Description	Qty.
1	Console Assembly	1
2	Back Cover	1
3	Screws	4

Complete installation

1. Plug the power cord into the power outlet.
2. Verify the power cord is not being pinched under the front of the treadmill.
3. Operate the unit at all levels to verify proper operation.

Cybex GO Monitor

Tools Required:

- Phillips screwdriver
- 11/32" Nut driver
- ESD (Electrostatic Discharge) grounding strap

Disconnect power source

Unplug the power cord from the power outlet.

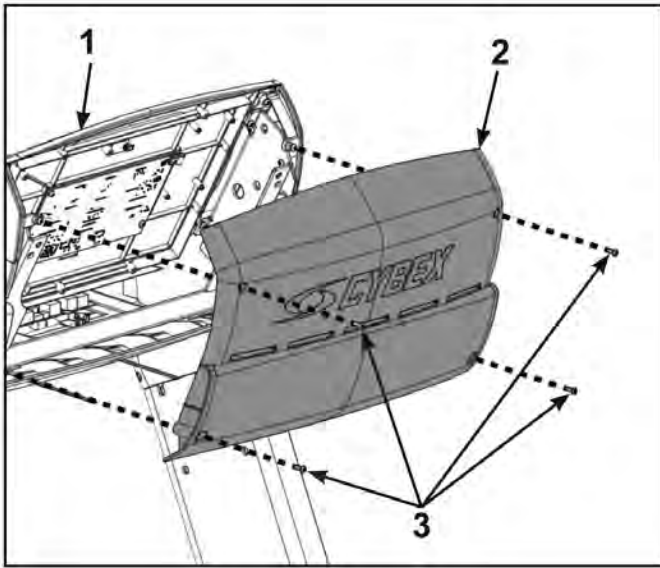
⚠️WARNING

Shock and electrocution hazard.

- Unplug unit and let sit 10 minutes before cleaning or performing maintenance.
- Electrical charge can remain in unit after unplugging.
- Keep water and liquids away from electrical parts.

Remove back cover

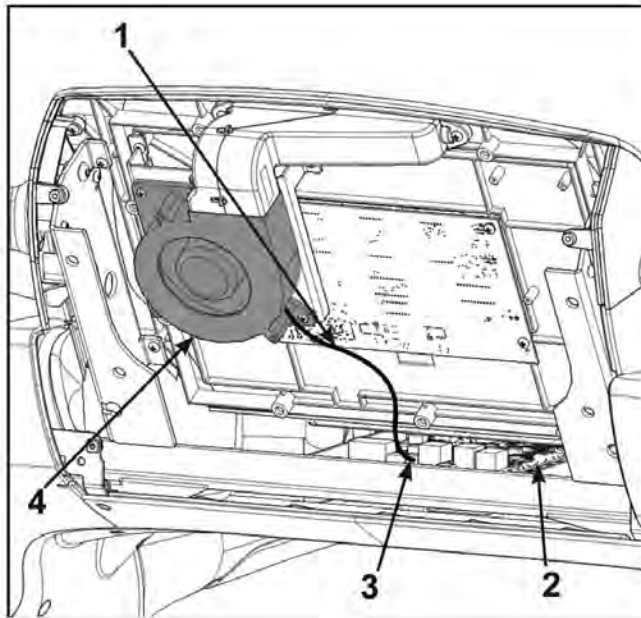
Remove four screws securing back cover to console assembly using a Phillips screwdriver.



Item	Description	Qty.
1	Console Assembly	1
2	Back Cover	1
3	Screws	4

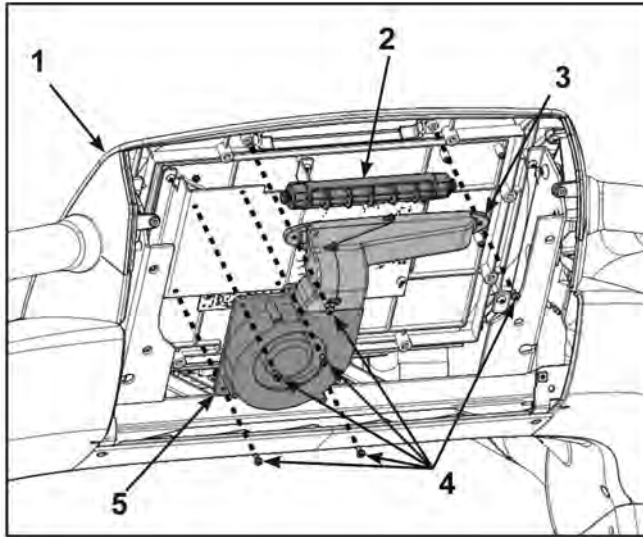
Remove fan

1. Unplug the fan cable by un-latching connector (J19) from the MCC board.



Item	Description	Qty.
1	Fan Cable	1
2	MCC Board	1
3	J19	1
4	Fan	1

- Remove the six screws securing the fan and duct to the console assembly using a Phillips screwdriver.



Item	Description	Qty.
1	Console Assembly	1
2	Louver	1
3	Duct	1
4	Screw	6
5	Fan	1

The louver is held in place by the duct.

Remove Cybex GO monitor cables

- Unplug the power, ethernet cable, and control board cable from the Cybex GO monitor.

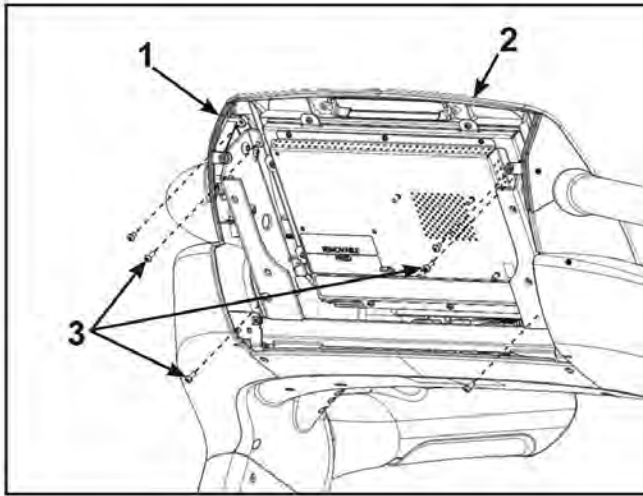


Item	Description	Qty.
1	Power cable	1
2	Cat6 ethernet cable	1
3	Coax cable	1
4	Control board cable	1

- Unscrew the coax cable from the Cybex GO monitor.
- Remove the ground cable from the Cybex GO monitor using an 11/32" nut driver.

Remove Cybex GO monitor

1. Remove six screws securing Cybex GO monitor and bezel to console assembly using a Phillips screwdriver.

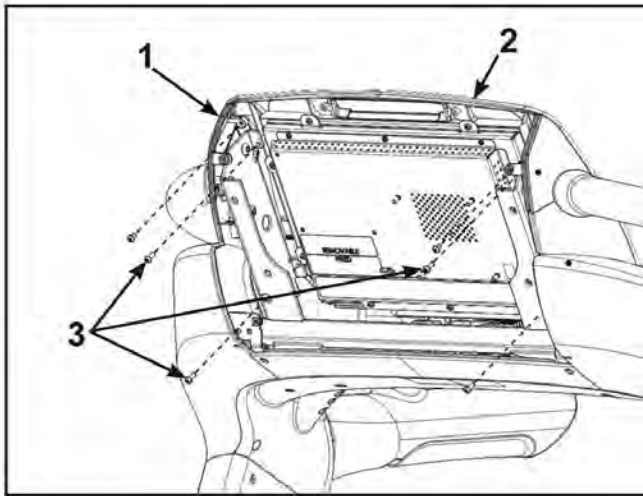


Item	Description	Qty.
1	Console Assembly	1
2	Cybex GO monitor and bezel	1
3	Screw	6

2. Remove Cybex GO monitor and bezel.

Install Cybex GO monitor

1. Place Cybex GO monitor and bezel in place.

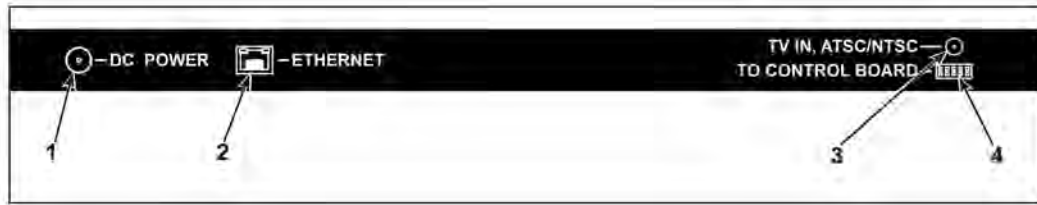


Item	Description	Qty.
1	Console Assembly	1
2	Cybex GO monitor and bezel	1
3	Screw	6

2. Install six screws securing Cybex GO monitor and bezel to console assembly using a Phillips screwdriver.

Install Cybex GO monitor cables

1. Plug the power, ethernet cable, and control board cable into the Cybex GO monitor.

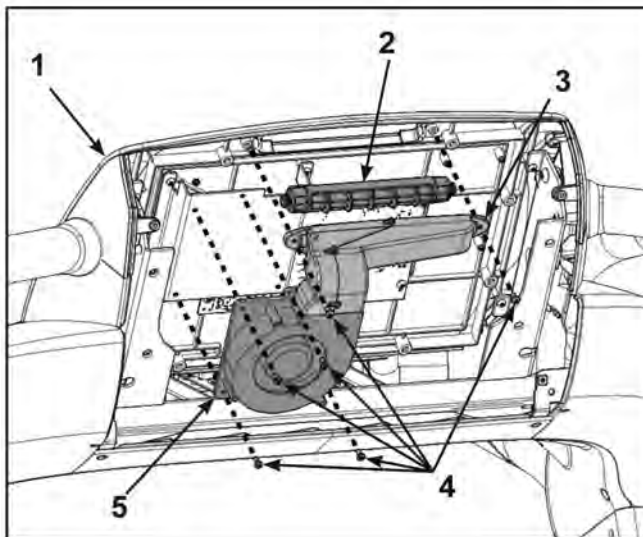


Item	Description	Qty.
1	Power cable	1
2	Cat6 ethernet cable	1
3	Coax cable	1
4	Control board cable	1

2. Screw the coax cable into the Cybex GO monitor.
3. Install the ground cable to the Cybex GO monitor using a 11/32" nut driver.

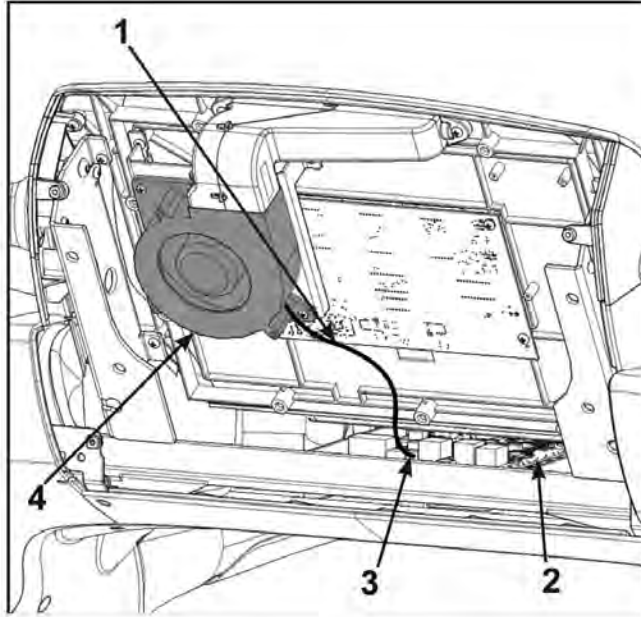
Install fan

1. Install six screws securing fan and duct to console assembly using a Phillips screwdriver. The louver is held in place with the duct.



Item	Description	Qty.
1	Console Assembly	1
2	Louver	1
3	Duct	1
4	Screw	6
5	Fan	1

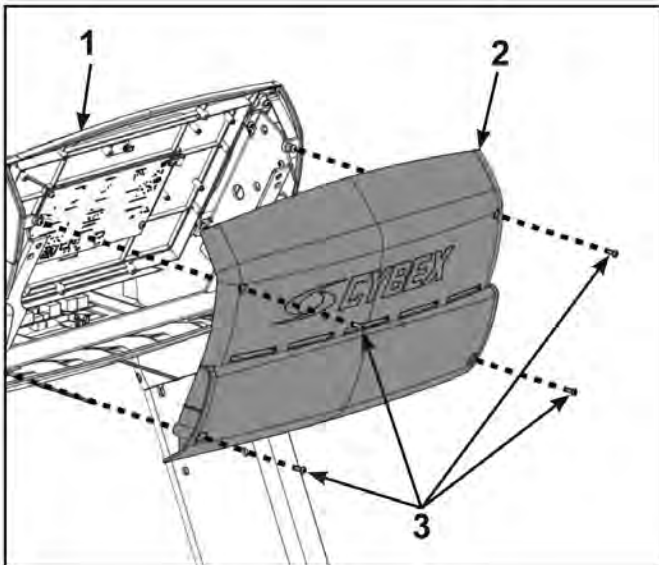
2. Plug fan cable into connector (J19) on MCC board.



Item	Description	Qty.
1	Fan Cable	1
2	MCC Board	1
3	J19	1
4	Fan	1

Install back cover

Install the four screws securing the back cover to the console assembly using a Phillips screwdriver.



Item	Description	Qty.
1	Console Assembly	1
2	Back Cover	1
3	Screws	4

Complete installation

1. Plug the power cord into the power outlet.
2. Verify the power cord is not being pinched under the front of the treadmill.
3. Operate the unit at all levels to verify proper operation.

Wireless Heart Rate Board

Tools Required:

- Phillips screwdriver
- Flat head screwdriver
- ESD (Electrostatic Discharge) grounding strap

Disconnect power source

Unplug the power cord from the power outlet.

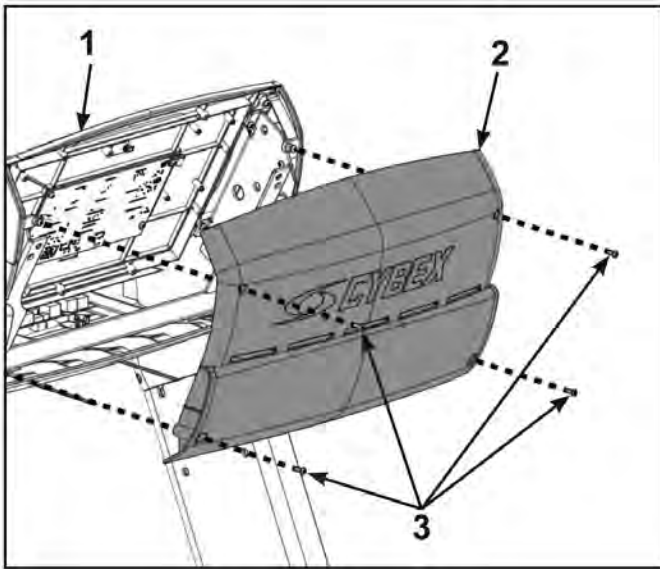
⚠ WARNING

Shock and electrocution hazard.

- Unplug unit and let sit 10 minutes before cleaning or performing maintenance.
- Electrical charge can remain in unit after unplugging.
- Keep water and liquids away from electrical parts.

Remove back cover

Remove four screws securing back cover to console assembly using a Phillips screwdriver.

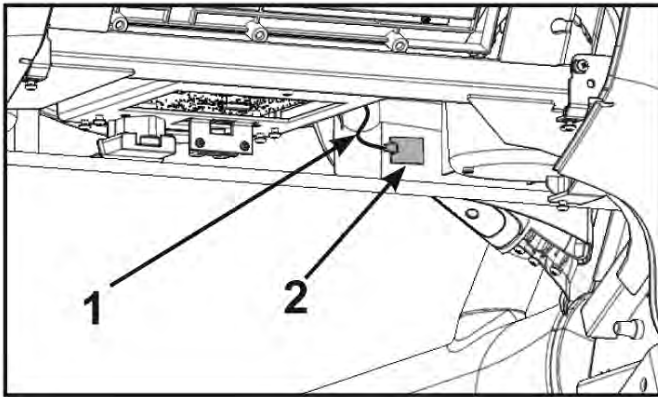


Item	Description	Qty.
1	Console Assembly	1
2	Back Cover	1
3	Screws	4

Remove wireless heart rate board

The wireless heart rate board is installed with double sided tape. Remove only if replacing with a new wireless heart rate board.

1. Unplug the wireless heart rate cable by un-latching connector from the wireless heart rate board.

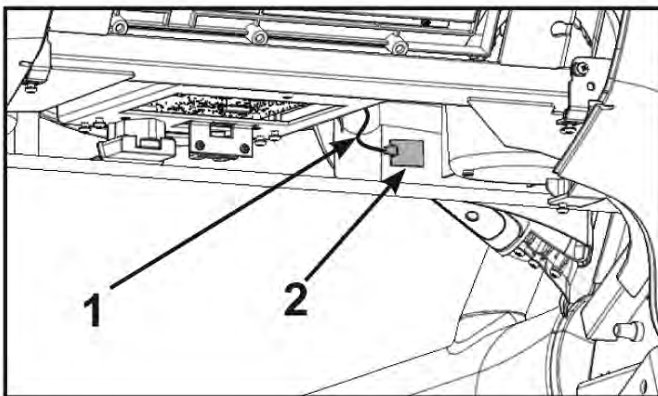


Item	Description	Qty.
1	Wireless Heart Rate Cable	1
2	Wireless Heart Rate Board	1

2. Pry the wireless heart rate board from the console using a flat head screwdriver.
3. Clean any remaining double sided tape from the console.

Install wireless heart rate board

1. Locate the new wireless heart rate board.
2. Peel the backing from the double sided tape and place the wireless heart rate board in position on the console.

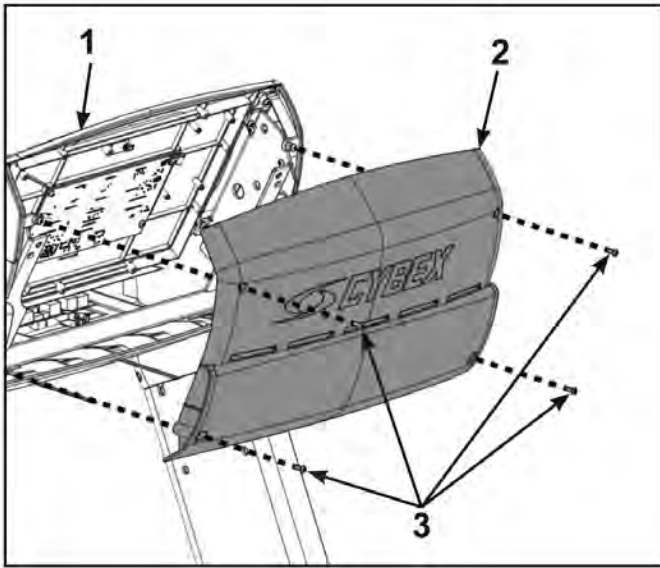


Item	Description	Qty.
1	Wireless Heart Rate Cable	1
2	Wireless Heart Rate Board	1

3. Plug the wireless heart rate cable into the wireless heart rate board.

Install back cover

Install the four screws securing the back cover to the console assembly using a Phillips screwdriver.



Item	Description	Qty.
1	Console Assembly	1
2	Back Cover	1
3	Screws	4

Complete installation

1. Plug the power cord into the power outlet.
2. Verify the power cord is not being pinched under the front of the treadmill.
3. Operate the unit at all levels to verify proper operation.

Headphone Jack

Tools Required:

- Phillips screwdriver

Disconnect power source

Unplug the power cord from the power outlet.

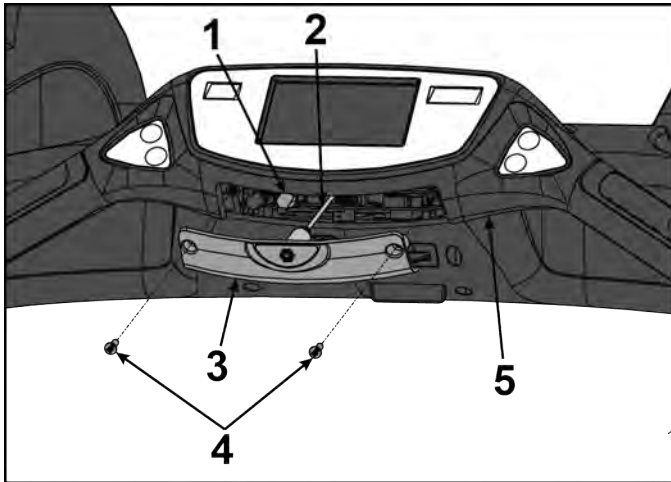
⚠️ WARNING

Shock and electrocution hazard.

- Unplug unit and let sit 10 minutes before cleaning or performing maintenance.
- Electrical charge can remain in unit after unplugging.
- Keep water and liquids away from electrical parts.

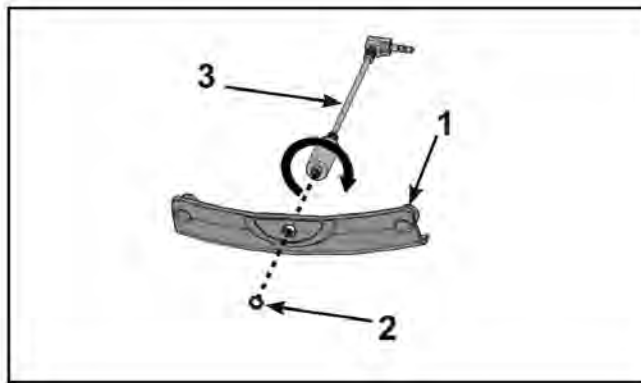
Remove headphone jack

1. Remove two screws securing headphone jack cover to handset using a Phillips screwdriver.



Item	Description	Qty.
1	J6	1
2	Headphone jack cable	1
3	Headphone jack cover	1
4	Screw	2
5	Handset	1

2. Unplug headphone jack cable from connector J6 on MCC board (connector on right). Pull connector straight out, cable uses a 90 degree connector.
3. Unscrew headphone jack cable from headphone jack cover by unscrewing cable.



Item	Description	Qty.
1	Headphone Jack Cover	1
2	Nut	1
3	Headphone Jack Cable	1

4. Remove nut from front of headphone jack cover.

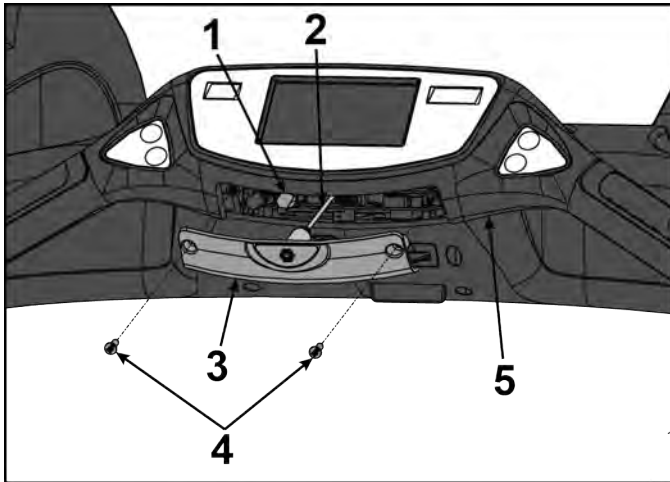
Install headphone jack

1. Install the nut into the front of the headphone jack cover.



Item	Description	Qty.
1	Headphone Jack Cover	1
2	Nut	1
3	Headphone Jack Cable	1

2. Screw the headphone jack cable into the headphone jack cover and tighten by hand.
3. Plug the headphone jack cable into the connector J6.



Item	Description	Qty.
1	J6	1
2	Headphone jack cable	1
3	Headphone jack cover	1
4	Screw	2
5	Handset	1

4. Install the two screws securing the headphone jack cover to the handset cover using a Phillips screwdriver.

Complete installation

1. Plug the power cord into the power outlet.
2. Verify the power cord is not being pinched under the front of the treadmill.
3. Operate the unit at all levels to verify proper operation.

Handset

Tools Required:

- Phillips screwdriver
- ESD (Electrostatic Discharge) grounding strap

Disconnect power source

Unplug the power cord from the power outlet.

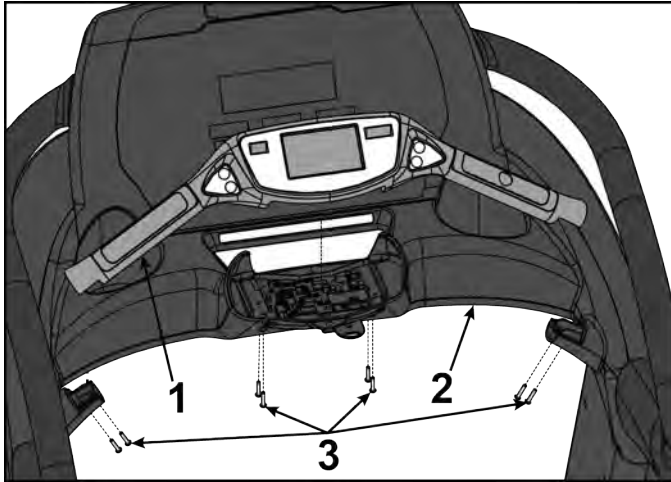
⚠ WARNING

Shock and electrocution hazard.

- Unplug unit and let sit 10 minutes before cleaning or performing maintenance.
- Electrical charge can remain in unit after unplugging.
- Keep water and liquids away from electrical parts.

Remove handset assembly

1. Remove eight screws securing handset to console using a Phillips screwdriver.

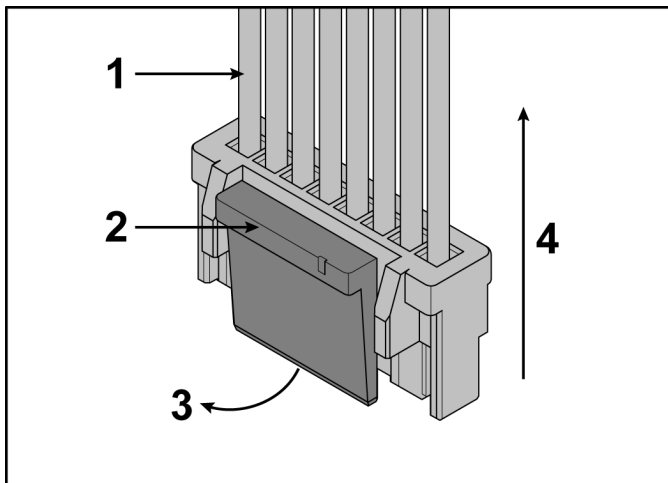


Item	Description	Qty.
1	Handset assembly	1
2	Console	1
3	Screw	8

NOTICE

Repairs and Service. Do not damage the wires or connectors when installing or removing cables.

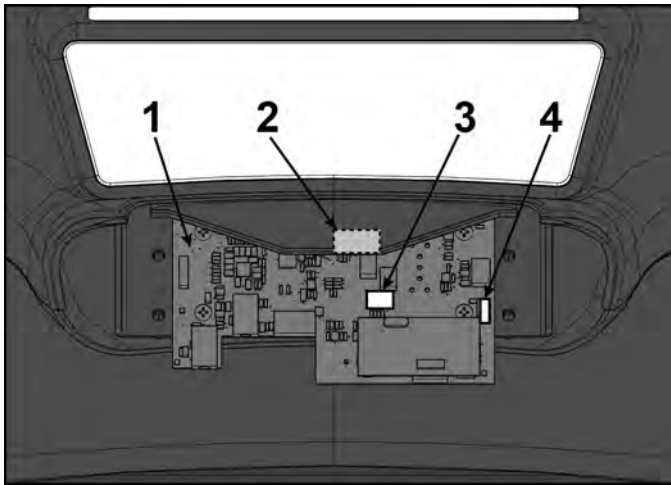
2. Use flashlight to locate cable connectors.
3. Unplug cables from MCC board by un-latching connectors with the following procedure:
 - a) Press in the top of the cable connector.



Item	Description	Qty.
1	DO NOT PULL CONNECTOR OUT BY THE WIRES!	1
2	Step a, Latch	1
3	Step b	1
4	Step c	1

- b) Ensure latch disengages the connector.
- c) Unplug cable by holding down latch and pulling straight out from connector. Do not pull on wires, remove by connector.

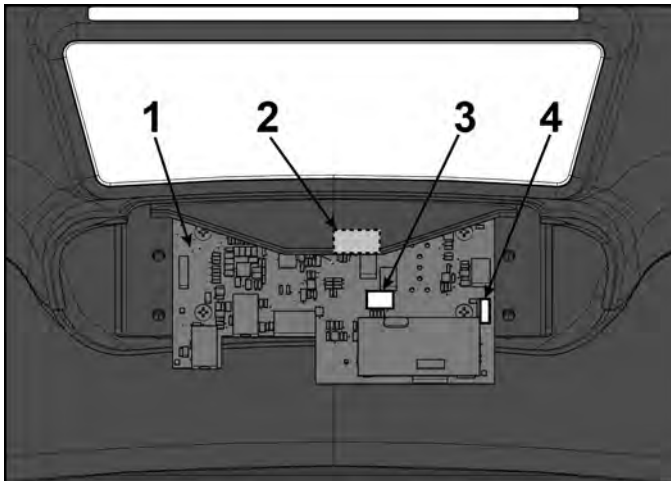
- Carefully lift handset assembly and unplug the following cables: graphics board (J12), handset membrane (J9), contact heart rate grips (J7) and the ground wire (located under the MCC board).



Item	Description	Qty.
1	MCC board	1
2	Graphics board (J12)	1
3	Handset membrane (J9)	1
4	Contact heart rate grips (J7)	1

Install handset assembly

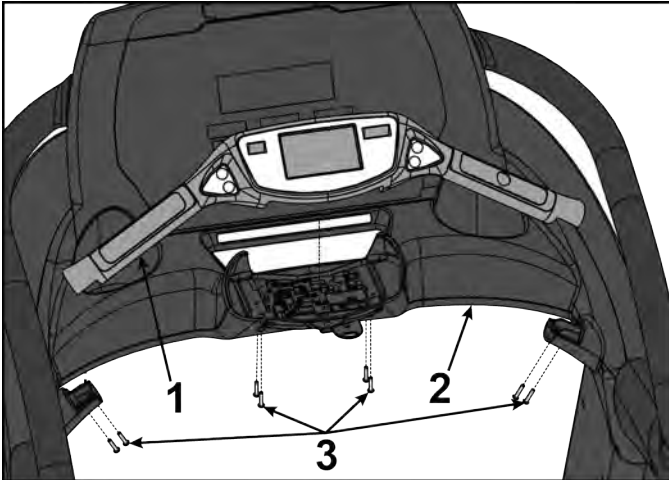
- Place handset assembly in position and plug in the following cables: graphics board (J12), handset membrane (J9), contact heart rate grips (J7) and the ground wire.



Item	Description	Qty.
1	MCC board	1
2	Graphics board (J12)	1
3	Handset membrane (J9)	1
4	Contact heart rate grips (J7)	1

- Route iPod cable through notch in access cover.

3. Install eight screws securing handset assembly to console using a Phillips screwdriver.



Item	Description	Qty.
1	Handset assembly	1
2	Console	1
3	Screw	8

Complete installation

1. Plug the power cord into the power outlet.
2. Verify the power cord is not being pinched under the front of the treadmill.
3. Operate the unit at all levels to verify proper operation.

CardioTouch Screen

Tools Required:

- Phillips screwdriver
- Torque screwdriver
- ESD (Electrostatic Discharge) grounding strap
- Clean cloth
- Rubbing alcohol

Disconnect power source

Unplug the power cord from the power outlet.

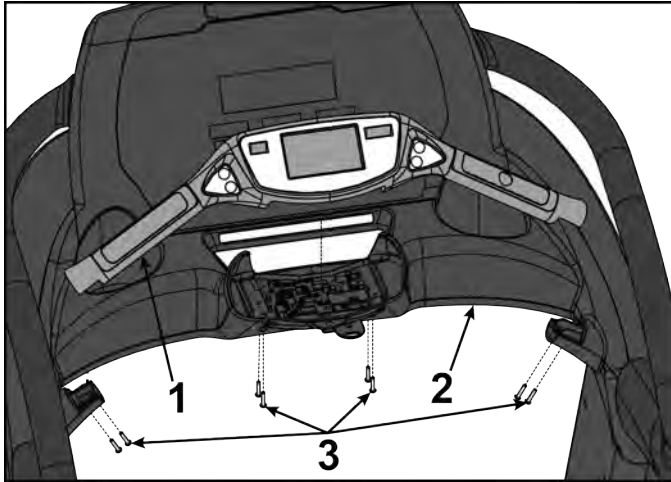
⚠ WARNING

Shock and electrocution hazard.

- Unplug unit and let sit 10 minutes before cleaning or performing maintenance.
- Electrical charge can remain in unit after unplugging.
- Keep water and liquids away from electrical parts.

Remove handset assembly

1. Remove eight screws securing handset to console using a Phillips screwdriver.

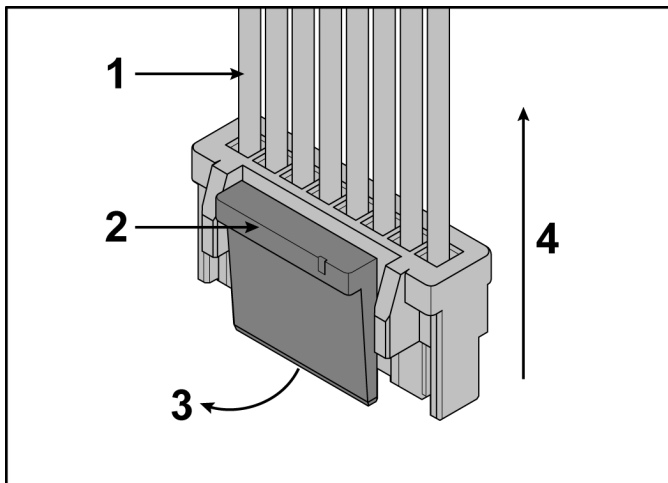


Item	Description	Qty.
1	Handset assembly	1
2	Console	1
3	Screw	8

NOTICE

Repairs and Service. Do not damage the wires or connectors when installing or removing cables.

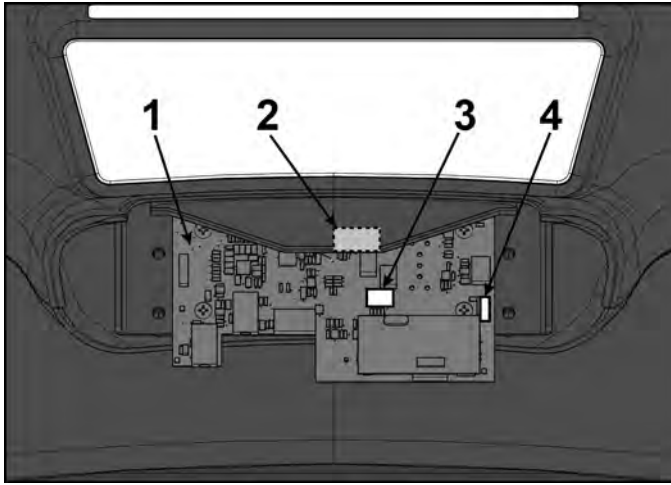
2. Use flashlight to locate cable connectors.
3. Unplug cables from MCC board by un-latching connectors with the following procedure:
 - a) Press in the top of the cable connector.



Item	Description	Qty.
1	DO NOT PULL CONNECTOR OUT BY THE WIRES!	1
2	Step a, Latch	1
3	Step b	1
4	Step c	1

- b) Ensure latch disengages the connector.
- c) Unplug cable by holding down latch and pulling straight out from connector. Do not pull on wires, remove by connector.

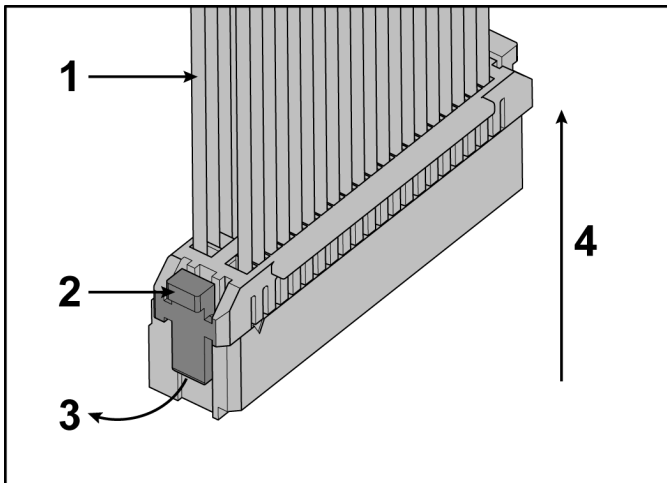
4. Carefully lift handset assembly and unplug the following cables: graphics board (J12), handset membrane (J9), contact heart rate grips (J7) and the ground wire (located under the MCC board).



Item	Description	Qty.
1	MCC board	1
2	Graphics board (J12)	1
3	Handset membrane (J9)	1
4	Contact heart rate grips (J7)	1

Remove CardioTouch screen

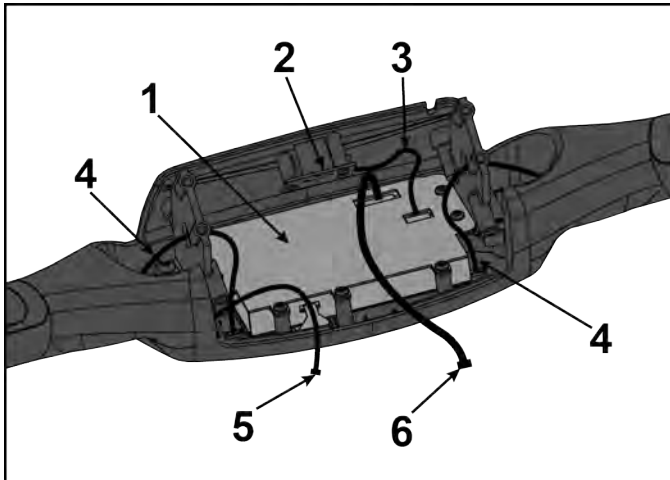
1. Place front face of handset on clean cloth.
 - 👉 **NOTE:** Do not scratch front face of handset.
2. Unplug CardioTouch cable by un-latching connectors with the following procedure:
 - a) Press in both side latches of cable connector.



Item	Description	Qty.
1	DO NOT PULL CONNECTOR OUT BY THE WIRES!	1
2	Step a, Latches	2
3	Step b	1
4	Step c	1

- b) Ensure latches disengage from the connector.
- c) Unplug cable by holding down latches on both sides and pulling straight out from connector. Do not pull on wires, remove by connector.

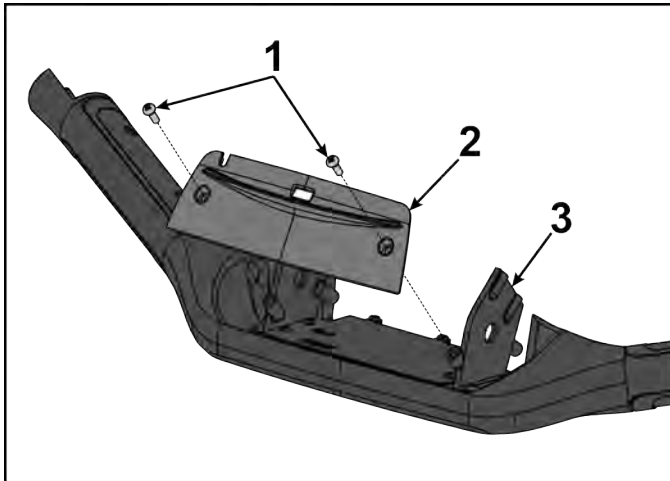
3. Unplug USB cable and graphics board cable from CardioTouch screen.



Item	Description	Qty.
1	CardioTouch screen	1
2	USB board	1
3	USB cable	1
4	Thumb control cables	2
5	Membrane cable	1
6	Graphics board cable	1

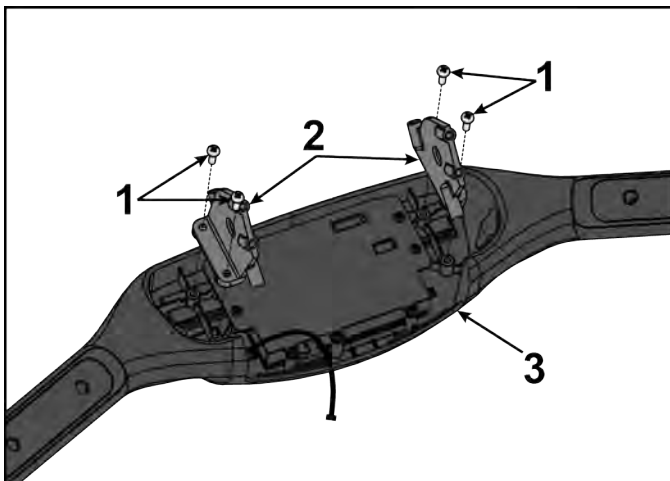
4. Unplug thumb control cables from handset.

5. Remove two screws and USB cover from two support brackets using a Phillips screwdriver.



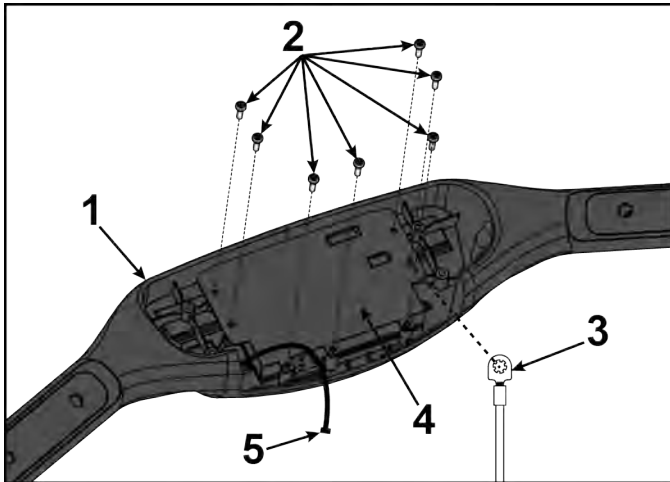
Item	Description	Qty.
1	Screw	2
2	USB cover	1
3	Support bracket	2

6. Remove four screws and two support brackets from handset using a Phillips screwdriver.



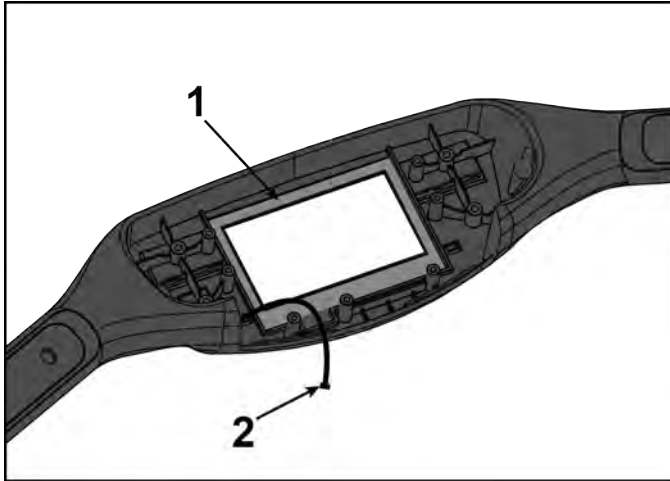
Item	Description	Qty.
1	Screw	4
2	Support bracket	2
3	Handset	1

7. Remove seven screws and ground cable from CardioTouch screen using a Phillips screwdriver.



Item	Description	Qty.
1	Handset	1
2	Screw	7
3	Ground cable	1
4	CardioTouch screen	1
5	Membrane cable	1

8. Remove the CardioTouch screen and membrane cable from handset.
 9. Clean the mounting area of the new handset with a clean cloth and rubbing alcohol

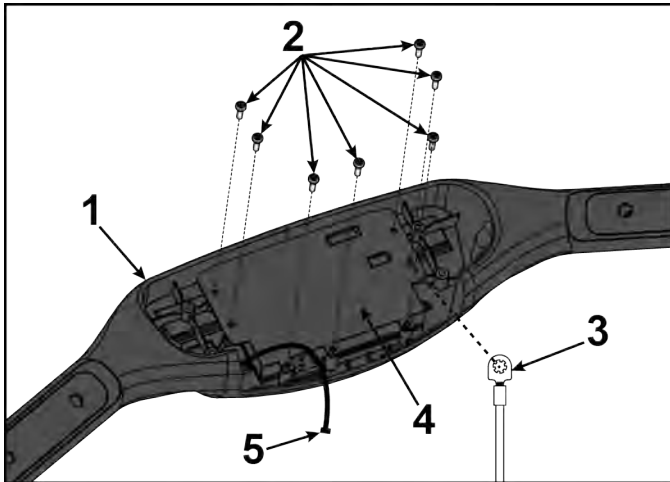


Item	Description	Qty.
1	Clean this area	1
2	Membrane cable	1

Install CardioTouch screen

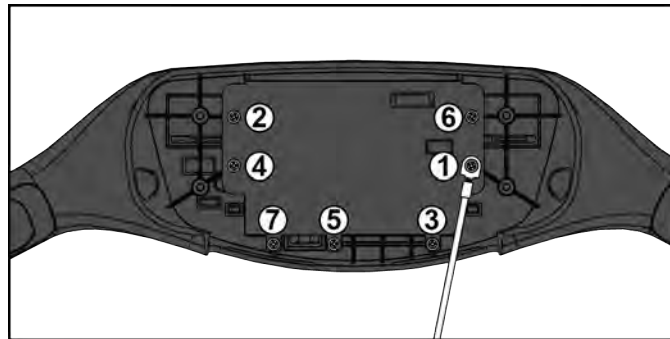
1. Plug membrane cable into handset.

2. Place CardioTouch screen in place in handset.

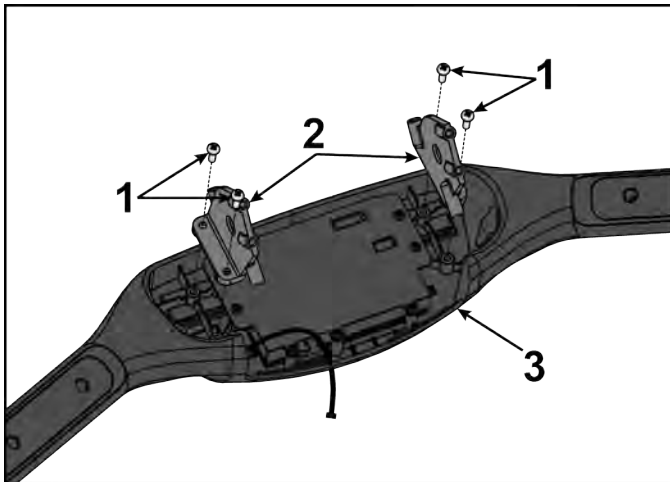


Item	Description	Qty.
1	Handset	1
2	Screw	7
3	Ground cable	1
4	CardioTouch screen	1
5	Membrane cable	1

3. Install ground cable with a screw in location shown and tighten by hand.
4. Install remaining six screws by hand.
5. Tighten seven screws, with minimal force, in order shown. The production torque settings are 4 in-lbs (0.45 Nm).

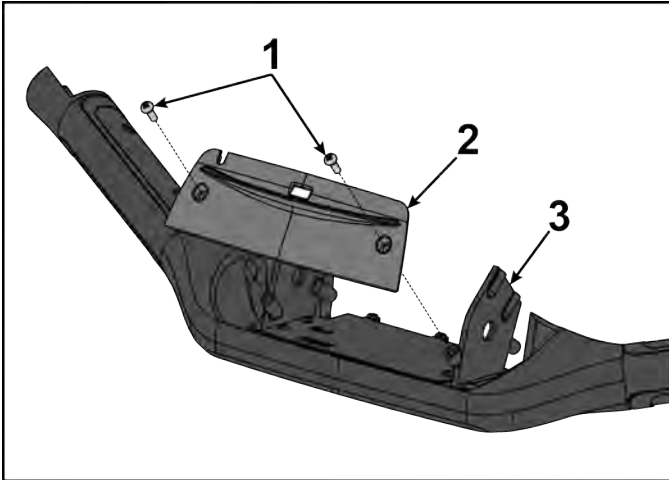


6. Install four screws and two support brackets to handset using a Phillips screwdriver.



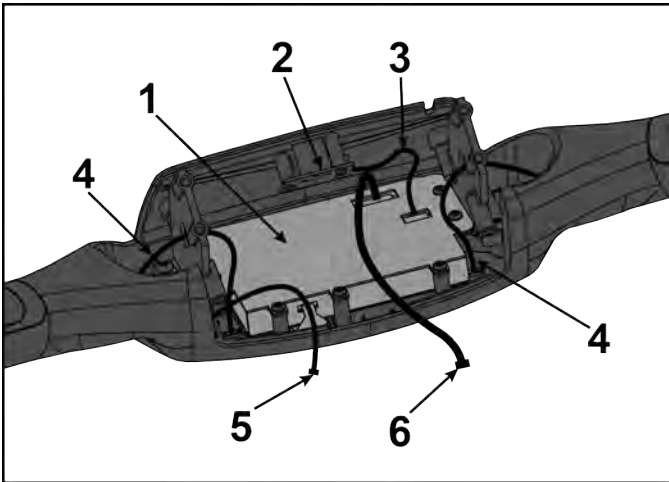
Item	Description	Qty.
1	Screw	4
2	Support bracket	2
3	Handset	1

7. Install USB cover to two support brackets using two screws and a Phillips screwdriver.



Item	Description	Qty.
1	Screw	2
2	USB cover	1
3	Support bracket	2

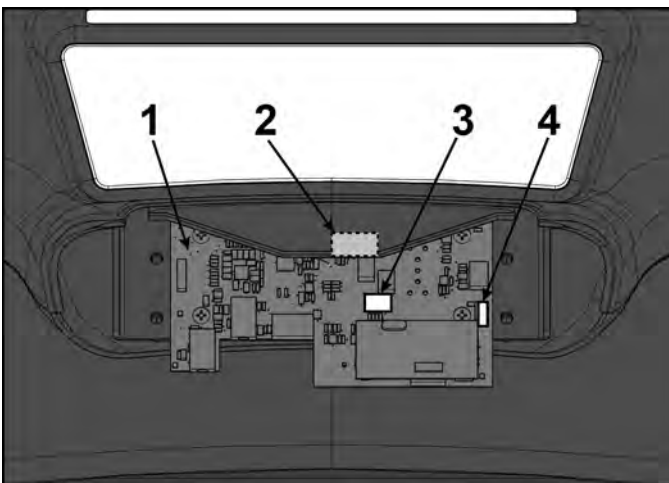
8. Plug USB cable and graphics board cable into CardioTouch screen.



Item	Description	Qty.
1	CardioTouch screen	1
2	USB board	1
3	USB cable	1
4	Thumb control cables	2
5	Membrane cable	1
6	Graphics board cable	1

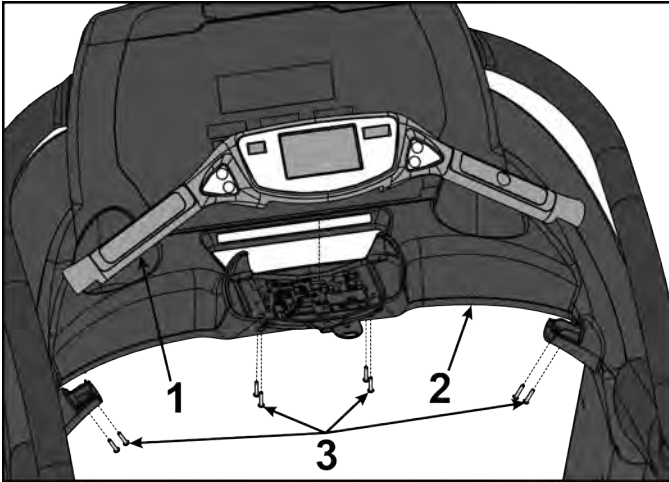
Install handset assembly

1. Place handset assembly in position and plug in the following cables: graphics board (J12), handset membrane (J9), contact heart rate grips (J7) and the ground wire.



Item	Description	Qty.
1	MCC board	1
2	Graphics board (J12)	1
3	Handset membrane (J9)	1
4	Contact heart rate grips (J7)	1

2. Route iPod cable through notch in access cover.
3. Install eight screws securing handset assembly to console using a Phillips screwdriver.



Item	Description	Qty.
1	Handset assembly	1
2	Console	1
3	Screw	8

Complete installation

1. Plug the power cord into the power outlet.
2. Verify the power cord is not being pinched under the front of the treadmill.
3. Operate the unit at all levels to verify proper operation.

USB Board

Tools Required:

- Phillips screwdriver
- ESD (Electrostatic Discharge) grounding strap

Disconnect power source

Unplug the power cord from the power outlet.

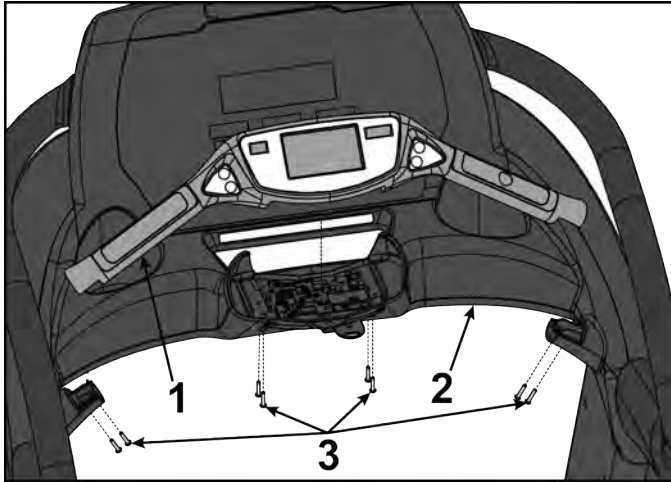
⚠ WARNING

Shock and electrocution hazard.

- Unplug unit and let sit 10 minutes before cleaning or performing maintenance.
- Electrical charge can remain in unit after unplugging.
- Keep water and liquids away from electrical parts.

Remove handset assembly

1. Remove eight screws securing handset to console using a Phillips screwdriver.

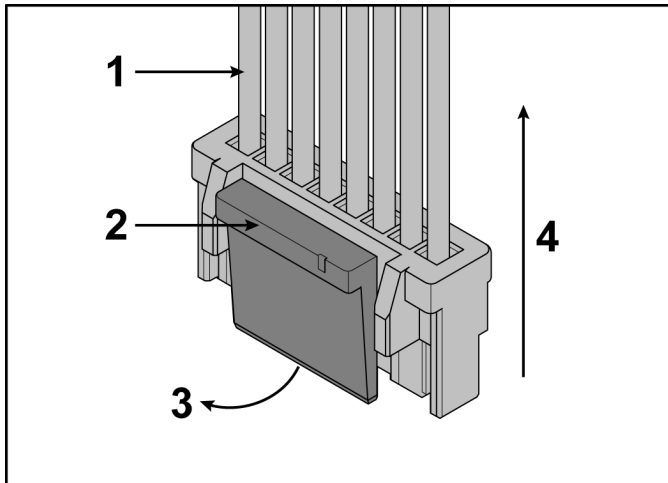


Item	Description	Qty.
1	Handset assembly	1
2	Console	1
3	Screw	8

NOTICE

Repairs and Service. Do not damage the wires or connectors when installing or removing cables.

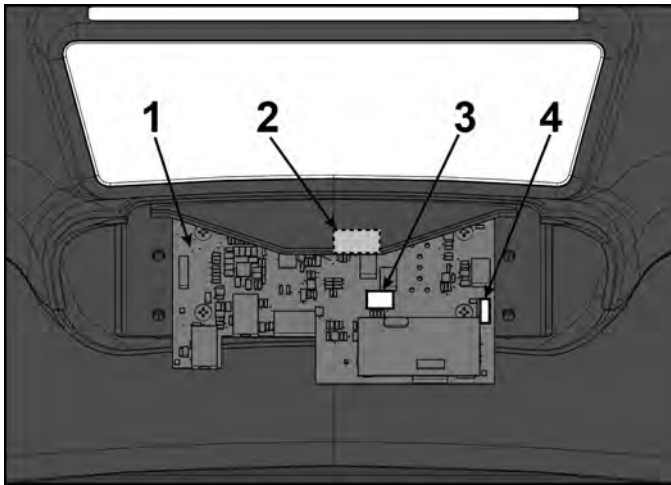
2. Use flashlight to locate cable connectors.
3. Unplug cables from MCC board by un-latching connectors with the following procedure:
 - a) Press in the top of the cable connector.



Item	Description	Qty.
1	DO NOT PULL CONNECTOR OUT BY THE WIRES!	1
2	Step a, Latch	1
3	Step b	1
4	Step c	1

- b) Ensure latch disengages the connector.
- c) Unplug cable by holding down latch and pulling straight out from connector. Do not pull on wires, remove by connector.

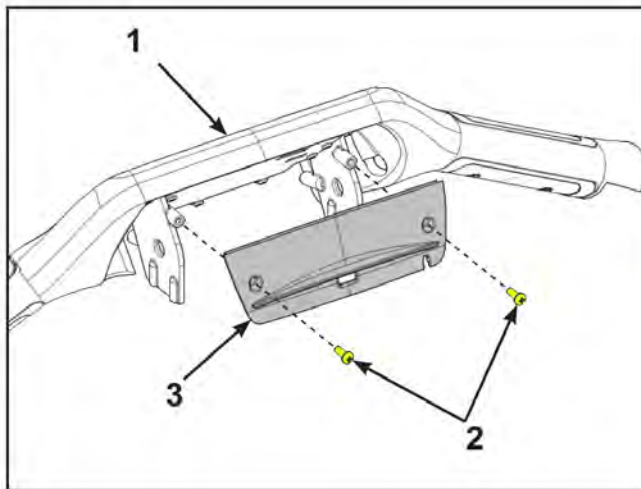
- Carefully lift handset assembly and unplug the following cables: graphics board (J12), handset membrane (J9), contact heart rate grips (J7) and the ground wire (located under the MCC board).



Item	Description	Qty.
1	MCC board	1
2	Graphics board (J12)	1
3	Handset membrane (J9)	1
4	Contact heart rate grips (J7)	1

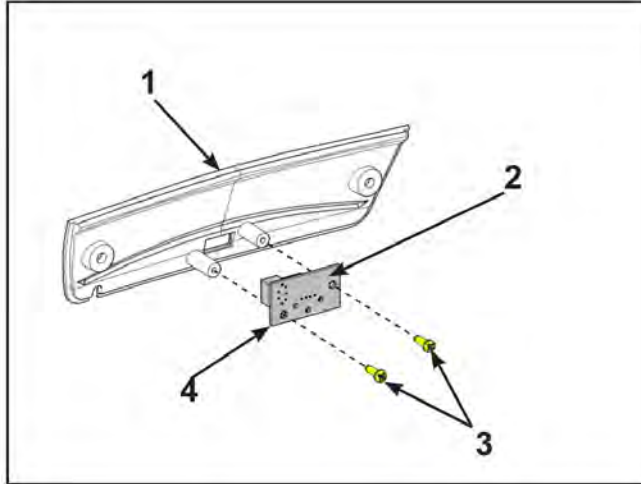
Remove USB board

- Remove the two screws securing the access cover to the handset using a Phillips screwdriver.



Item	Description	Qty.
1	Handset	1
2	Screw	2
3	Access Cover	1

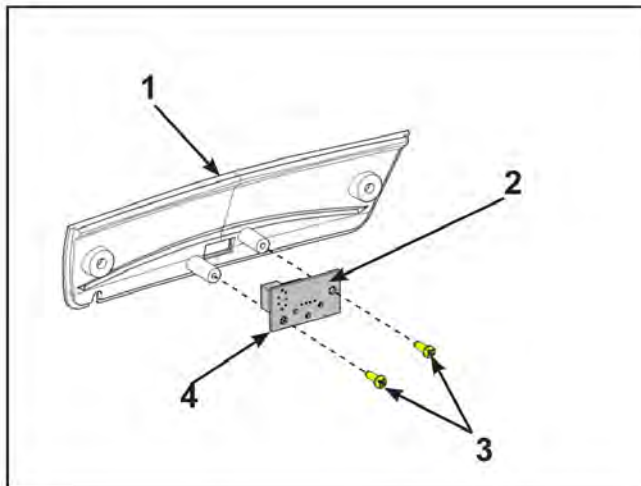
- Remove the two screws securing the USB board to the access cover using a Phillips screwdriver.



Item	Description	Qty.
1	Access Cover	1
2	Cybex Logo	1
3	Screw	2
4	USB Board	1

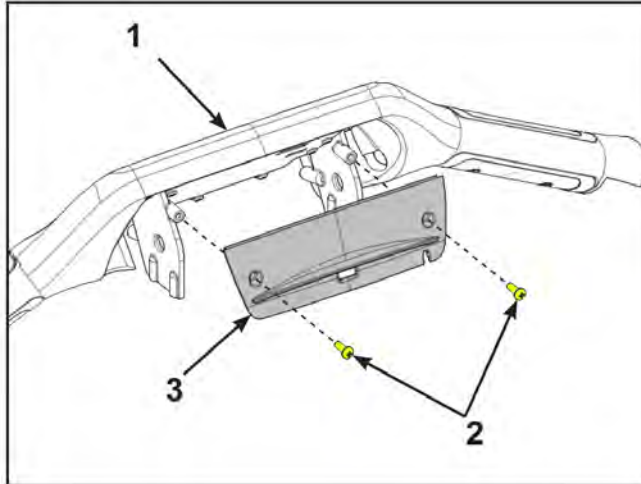
Install USB board

- Install the two screws securing the USB board to the access cover using a Phillips screwdriver. Install the USB board with the Cybex logo in the upper right corner.



Item	Description	Qty.
1	Access Cover	1
2	Cybex Logo	1
3	Screw	2
4	USB Board	1

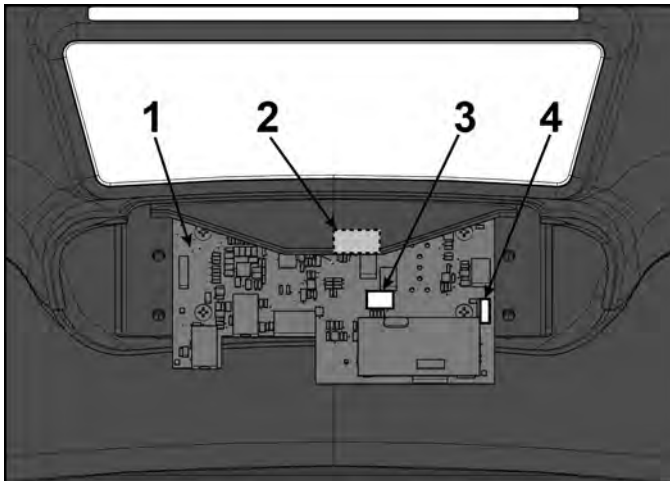
2. Install the two screws securing the access cover to the handset using a Phillips screwdriver.



Item	Description	Qty.
1	Handset	1
2	Screw	2
3	Access Cover	1

Install handset assembly

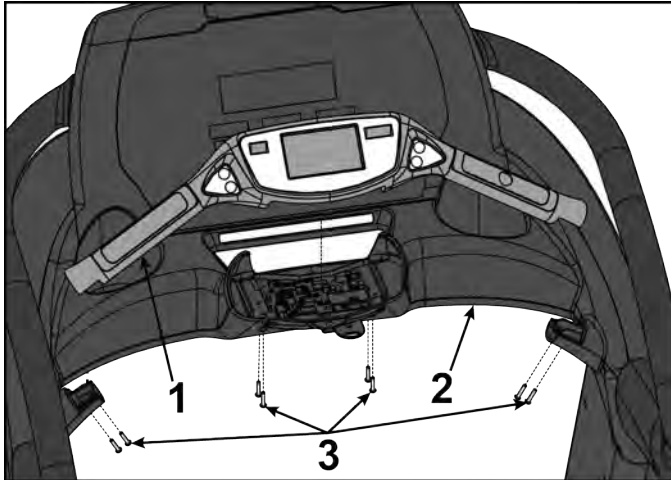
1. Place handset assembly in position and plug in the following cables: graphics board (J12), handset membrane (J9), contact heart rate grips (J7) and the ground wire.



Item	Description	Qty.
1	MCC board	1
2	Graphics board (J12)	1
3	Handset membrane (J9)	1
4	Contact heart rate grips (J7)	1

2. Route iPod cable through notch in access cover.

3. Install eight screws securing handset assembly to console using a Phillips screwdriver.



Item	Description	Qty.
1	Handset assembly	1
2	Console	1
3	Screw	8

Complete installation

1. Plug the power cord into the power outlet.
2. Verify the power cord is not being pinched under the front of the treadmill.
3. Operate the unit at all levels to verify proper operation.

iPod Cable

Tools Required:

- Phillips screwdriver
- ESD (Electrostatic Discharge) grounding strap

Disconnect power source

Unplug the power cord from the power outlet.

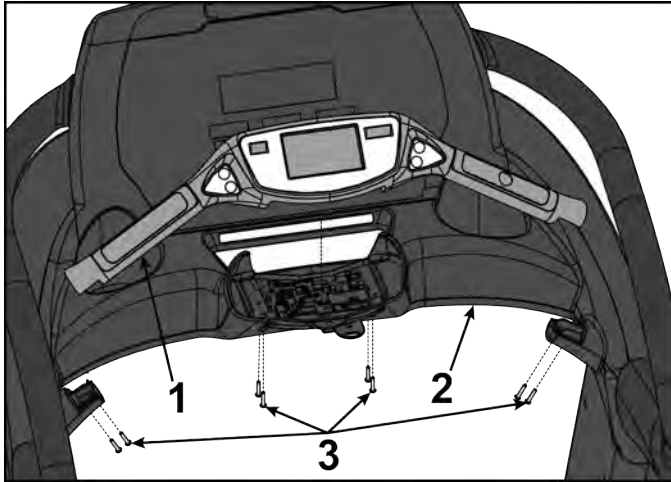
⚠ WARNING

Shock and electrocution hazard.

- Unplug unit and let sit 10 minutes before cleaning or performing maintenance.
- Electrical charge can remain in unit after unplugging.
- Keep water and liquids away from electrical parts.

Remove handset assembly

1. Remove eight screws securing handset to console using a Phillips screwdriver.

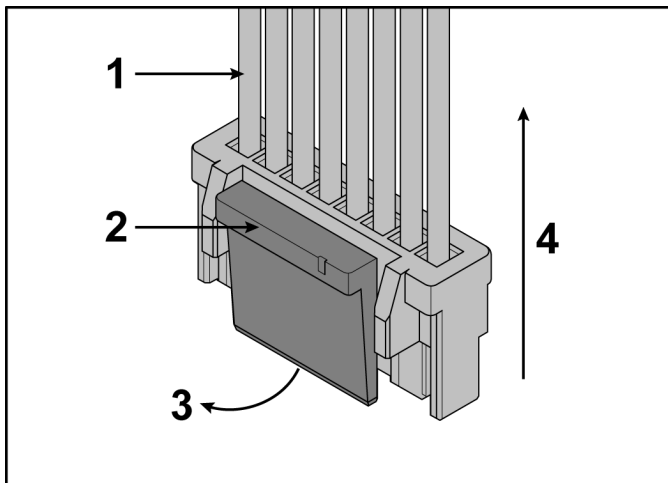


Item	Description	Qty.
1	Handset assembly	1
2	Console	1
3	Screw	8

NOTICE

Repairs and Service. Do not damage the wires or connectors when installing or removing cables.

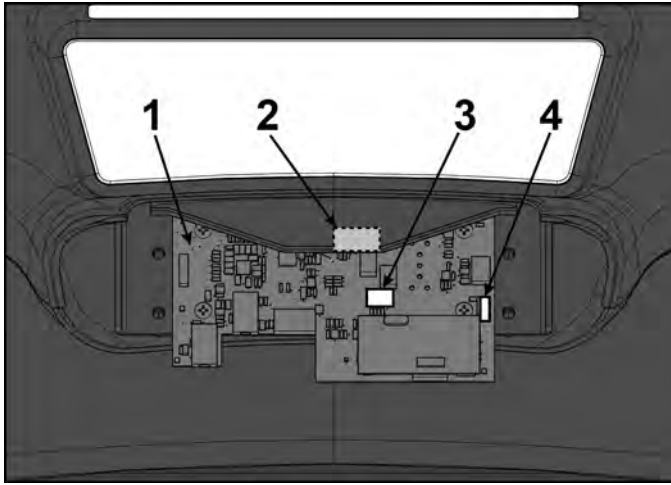
2. Use flashlight to locate cable connectors.
3. Unplug cables from MCC board by un-latching connectors with the following procedure:
 - a) Press in the top of the cable connector.



Item	Description	Qty.
1	DO NOT PULL CONNECTOR OUT BY THE WIRES!	1
2	Step a, Latch	1
3	Step b	1
4	Step c	1

- b) Ensure latch disengages the connector.
- c) Unplug cable by holding down latch and pulling straight out from connector. Do not pull on wires, remove by connector.

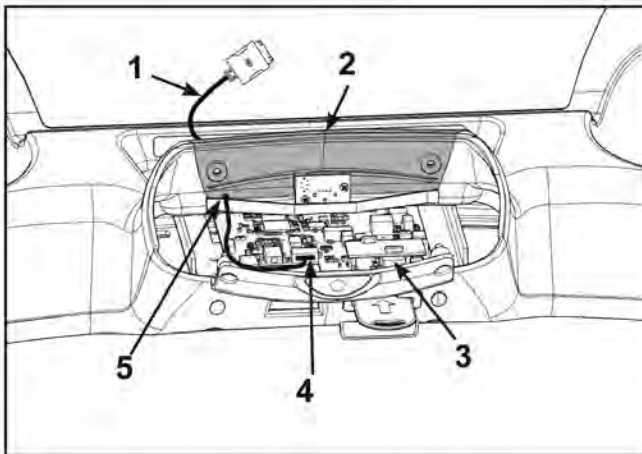
4. Carefully lift handset assembly and unplug the following cables: graphics board (J12), handset membrane (J9), contact heart rate grips (J7) and the ground wire (located under the MCC board).



Item	Description	Qty.
1	MCC board	1
2	Graphics board (J12)	1
3	Handset membrane (J9)	1
4	Contact heart rate grips (J7)	1

Remove iPod Cable

The iPod cable is held in place by a notch in the access cover. The access cover is connected to the handset and was removed in the previous procedure.



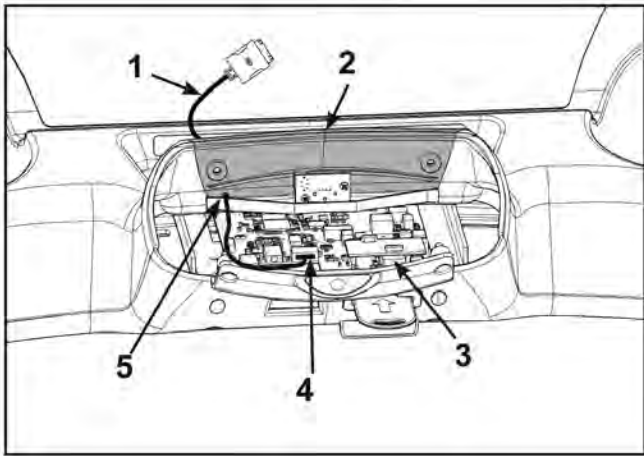
Item	Description	Qty.
1	iPod Cable	1
2	Access Cover (Shown for reference)	1
3	MCC Board	1
4	Connector	1
5	Notch	5

Unplug the iPod cable from the connector in the MCC board.

Install iPod Cable

Plug the iPod cable into the connector in the MCC board.

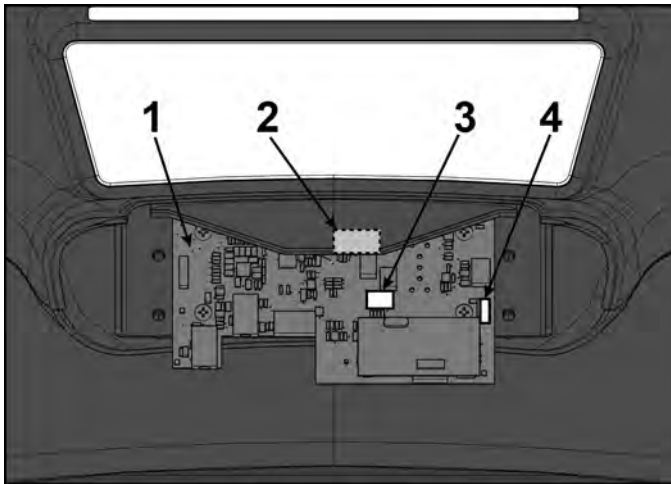
Ensure the iPod cable is routed through the notch in the access cover when installing the handset.



Item	Description	Qty.
1	iPod Cable	1
2	Access Cover (Shown for reference)	1
3	MCC Board	1
4	Connector	1
5	Notch	5

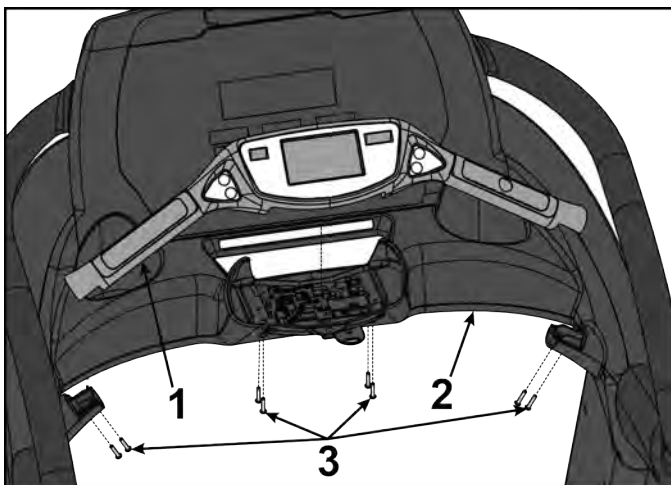
Install handset assembly

1. Place handset assembly in position and plug in the following cables: graphics board (J12), handset membrane (J9), contact heart rate grips (J7) and the ground wire.



Item	Description	Qty.
1	MCC board	1
2	Graphics board (J12)	1
3	Handset membrane (J9)	1
4	Contact heart rate grips (J7)	1

2. Route iPod cable through notch in access cover.
3. Install eight screws securing handset assembly to console using a Phillips screwdriver.



Item	Description	Qty.
1	Handset assembly	1
2	Console	1
3	Screw	8

Complete installation

1. Plug the power cord into the power outlet.
2. Verify the power cord is not being pinched under the front of the treadmill.
3. Operate the unit at all levels to verify proper operation.

Contact Heart Rate Grips

Tools Required:

- Phillips screwdriver
- Needle nose pliers
- ESD (Electrostatic Discharge) grounding strap

Disconnect power source

Unplug the power cord from the power outlet.

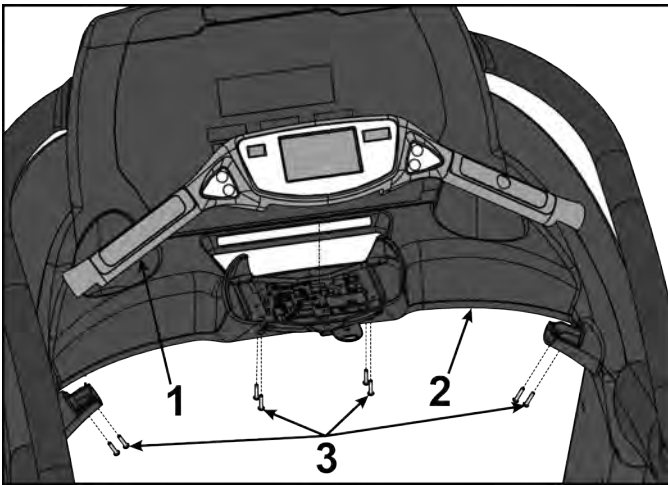
⚠️ WARNING

Shock and electrocution hazard.

- Unplug unit and let sit 10 minutes before cleaning or performing maintenance.
- Electrical charge can remain in unit after unplugging.
- Keep water and liquids away from electrical parts.

Remove handset assembly

1. Remove eight screws securing handset to console using a Phillips screwdriver.



Item	Description	Qty.
1	Handset assembly	1
2	Console	1
3	Screw	8

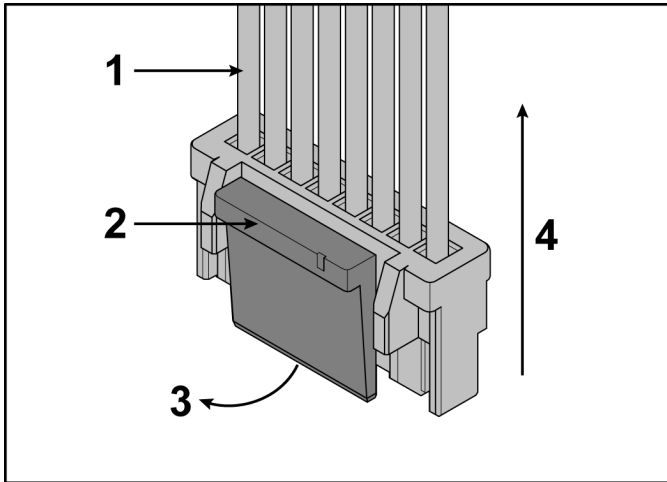
NOTICE

Repairs and Service. Do not damage the wires or connectors when installing or removing cables.

2. Use flashlight to locate cable connectors.

3. Unplug cables from MCC board by un-latching connectors with the following procedure:

a) Press in the top of the cable connector.

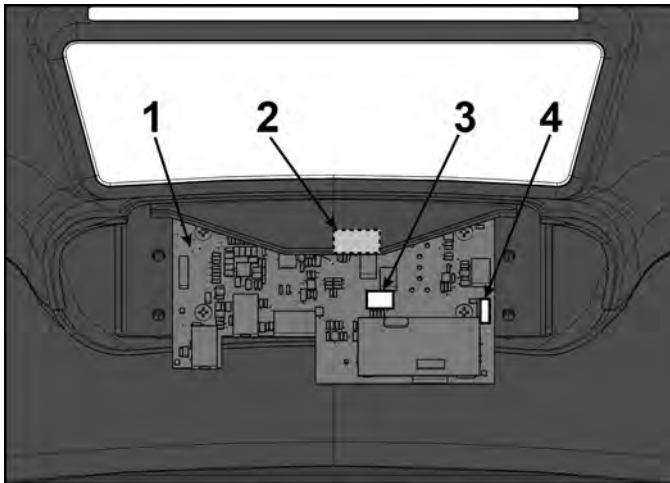


Item	Description	Qty.
1	DO NOT PULL CONNECTOR OUT BY THE WIRES!	1
2	Step a, Latch	1
3	Step b	1
4	Step c	1

b) Ensure latch disengages the connector.

c) Unplug cable by holding down latch and pulling straight out from connector. Do not pull on wires, remove by connector.

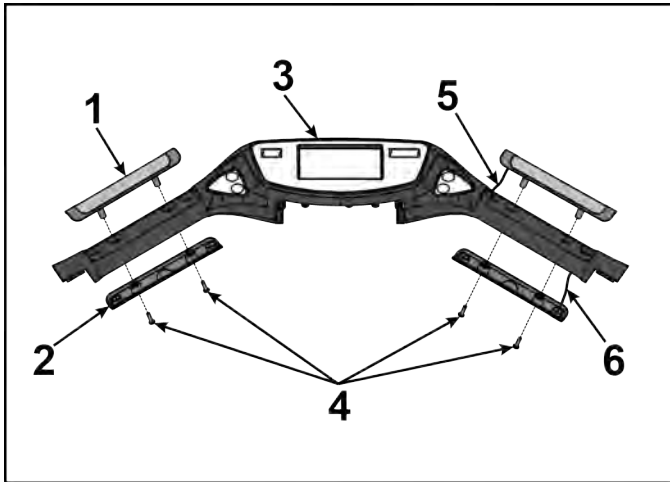
4. Carefully lift handset assembly and unplug the following cables: graphics board (J12), handset membrane (J9), contact heart rate grips (J7) and the ground wire (located under the MCC board).



Item	Description	Qty.
1	MCC board	1
2	Graphics board (J12)	1
3	Handset membrane (J9)	1
4	Contact heart rate grips (J7)	1

Remove heart rate grips

1. Remove two screws from each bottom grip using a Phillips screwdriver.

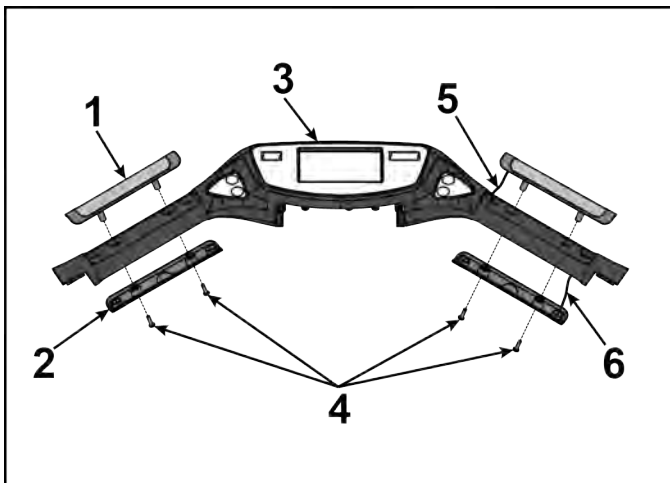


Item	Description	Qty.
1	Top grip	2
2	Bottom grip	2
3	Handset	1
4	Screw	4
5	Heart rate wire top (Red)	2
6	Heart rate wire bottom (Black)	2

2. Gently pull top and bottom grip off of handset.
3. Carefully disconnect heart rate wire from each grip using needle nose pliers.
4. Remove heart rate wires from handset. Note the wire locations and colors.
5. Clean inside and outside surfaces of top and bottom grips with rubbing alcohol. Wipe dry.

Install heart rate grips

1. Install heart rate wires into handset with correct location and color.
2. Carefully connect heart rate wire to each grip using needle nose pliers. Ensure that red heart rate wire is connected to top grip and black heart rate wire is connected to bottom grip.

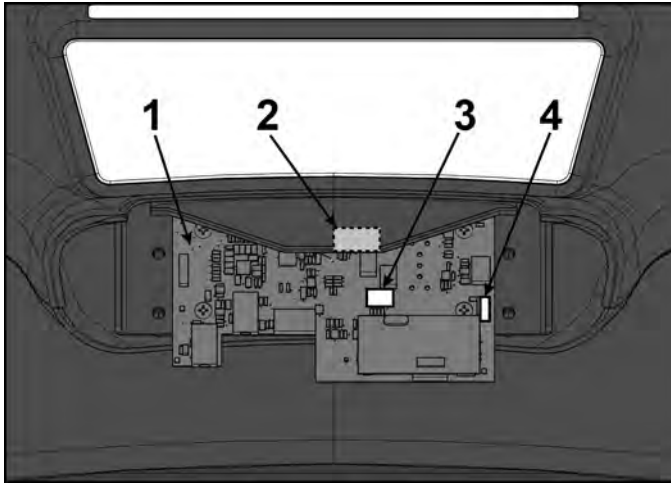


Item	Description	Qty.
1	Top grip	2
2	Bottom grip	2
3	Handset	1
4	Screw	4
5	Heart rate wire top (Red)	2
6	Heart rate wire bottom (Black)	2

3. Place top and bottom grip in correct position on handrail. Do not pinch heart rate wires during assembly.
4. Install two screws securing each heart rate grip using a Phillips screwdriver.

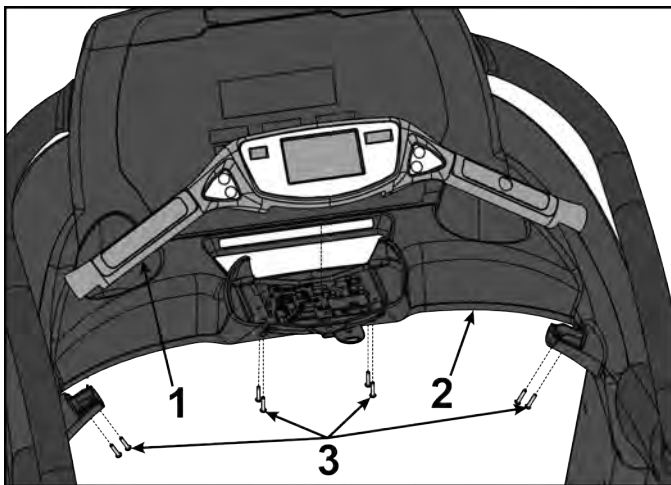
Install handset assembly

1. Place handset assembly in position and plug in the following cables: graphics board (J12), handset membrane (J9), contact heart rate grips (J7) and the ground wire.



Item	Description	Qty.
1	MCC board	1
2	Graphics board (J12)	1
3	Handset membrane (J9)	1
4	Contact heart rate grips (J7)	1

2. Route iPod cable through notch in access cover.
3. Install eight screws securing handset assembly to console using a Phillips screwdriver.



Item	Description	Qty.
1	Handset assembly	1
2	Console	1
3	Screw	8

Complete installation

1. Plug the power cord into the power outlet.
2. Verify the power cord is not being pinched under the front of the treadmill.
3. Operate the unit at all levels to verify proper operation.

MCC Board

Tools Required:

- Phillips screwdriver
- ESD (Electrostatic Discharge) grounding strap
- USB stick (CP-23199)

Disconnect power source

Unplug the power cord from the power outlet.

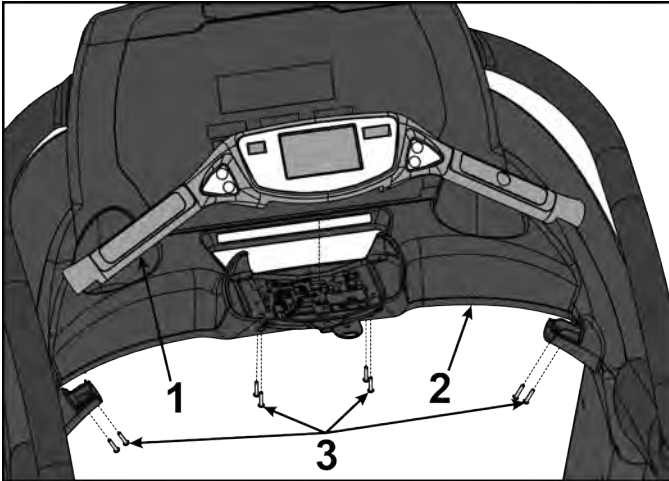
⚠ WARNING

Shock and electrocution hazard.

- Unplug unit and let sit 10 minutes before cleaning or performing maintenance.
- Electrical charge can remain in unit after unplugging.
- Keep water and liquids away from electrical parts.

Remove handset assembly

1. Remove eight screws securing handset to console using a Phillips screwdriver.



Item	Description	Qty.
1	Handset assembly	1
2	Console	1
3	Screw	8

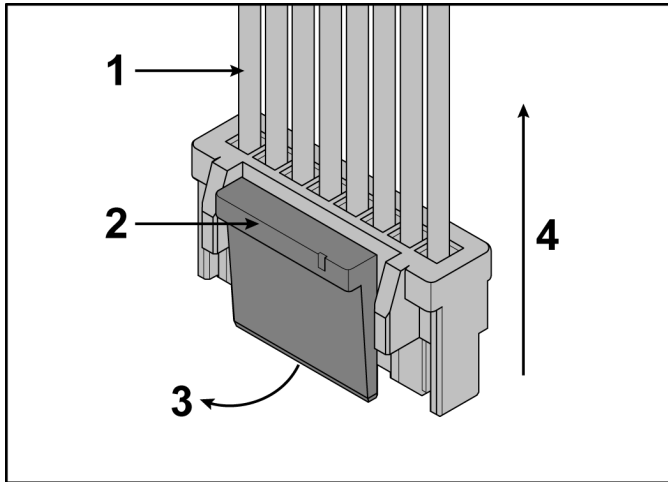
NOTICE

Repairs and Service. Do not damage the wires or connectors when installing or removing cables.

2. Use flashlight to locate cable connectors.

3. Unplug cables from MCC board by un-latching connectors with the following procedure:

a) Press in the top of the cable connector.

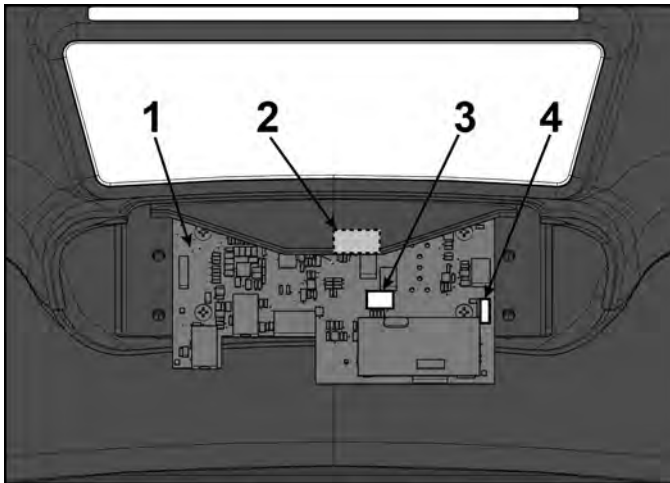


Item	Description	Qty.
1	DO NOT PULL CONNECTOR OUT BY THE WIRES!	1
2	Step a, Latch	1
3	Step b	1
4	Step c	1

b) Ensure latch disengages the connector.

c) Unplug cable by holding down latch and pulling straight out from connector. Do not pull on wires, remove by connector.

4. Carefully lift handset assembly and unplug the following cables: graphics board (J12), handset membrane (J9), contact heart rate grips (J7) and the ground wire (located under the MCC board).

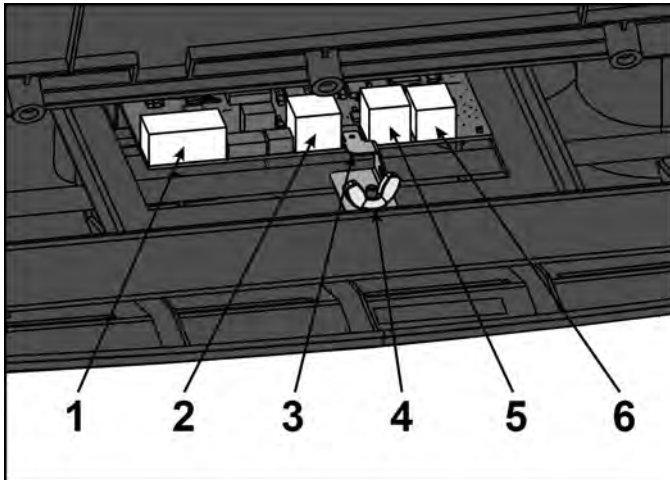


Item	Description	Qty.
1	MCC board	1
2	Graphics board (J12)	1
3	Handset membrane (J9)	1
4	Contact heart rate grips (J7)	1

Remove MCC board

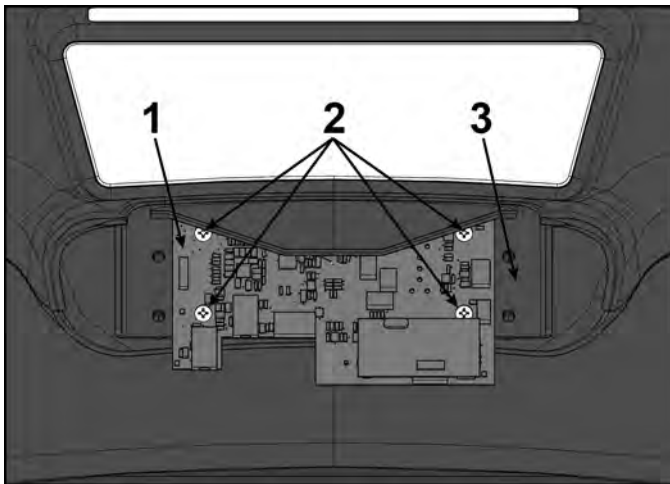
1. Carefully unplug the following cables from the MCC board; display (J16), console (J15), CSAFE (J18) and gray audio (J14).

 **NOTE:** Depending on the configuration, some cables may not be present.



Item	Description	Qty.
1	Display (J16)	1
2	Console (J15)	1
3	Wing Nut	1
4	Ground Connector	1
5	CSAFE (J18)	1
6	Audio, gray (J14) Optional	1

2. Remove the four screws securing the MCC board to the console using a Phillips screwdriver. Set the screws aside.



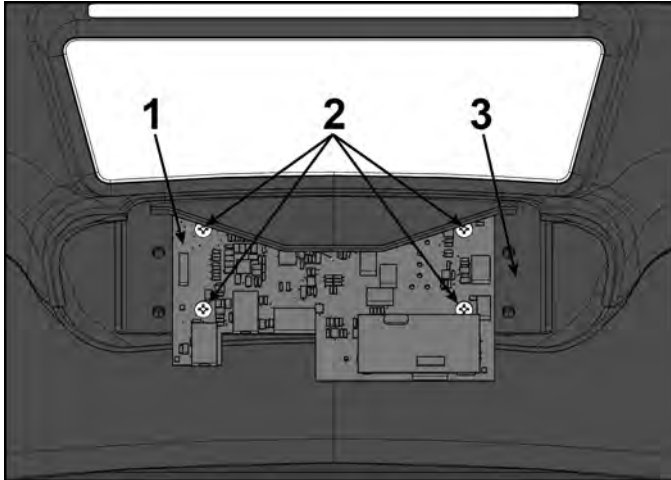
Item	Description	Qty.
1	MCC Board	1
2	Screw	4
3	Console	1

3. Remove the MCC board from the console by pulling the MCC board off of the ground connector near the wing nut.

Install MCC board

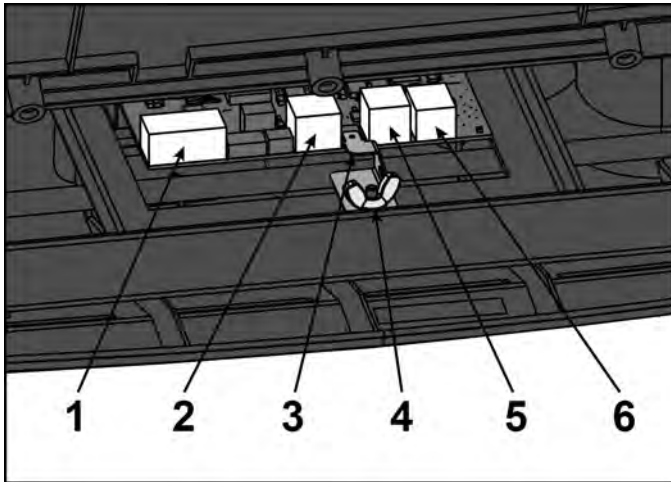
1. Install the MCC board into the console by plugging into the ground connector.

2. Install the four screws securing the MCC board to the console using a Phillips screwdriver.



Item	Description	Qty.
1	MCC Board	1
2	Screw	4
3	Console	1

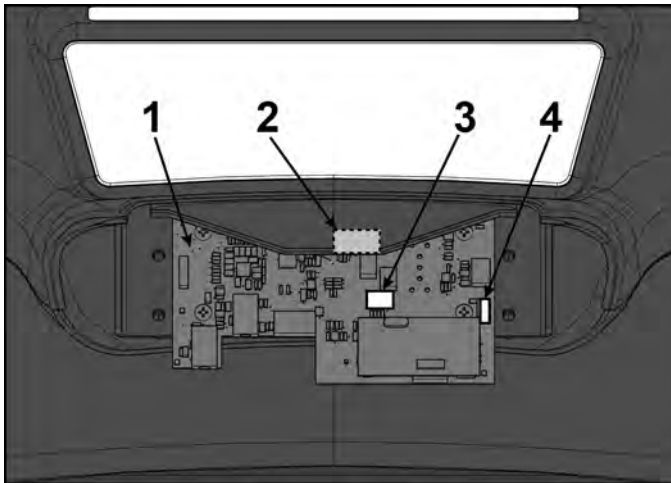
3. Plug the following cables into the MCC board; display (J16), console (J15), CSAFE (J18) and radio (J14).



Item	Description	Qty.
1	Display (J16)	1
2	Console (J15)	1
3	Wing Nut	1
4	Ground Connector	1
5	CSAFE (J18)	1
6	Audio, gray (J14) Optional	1

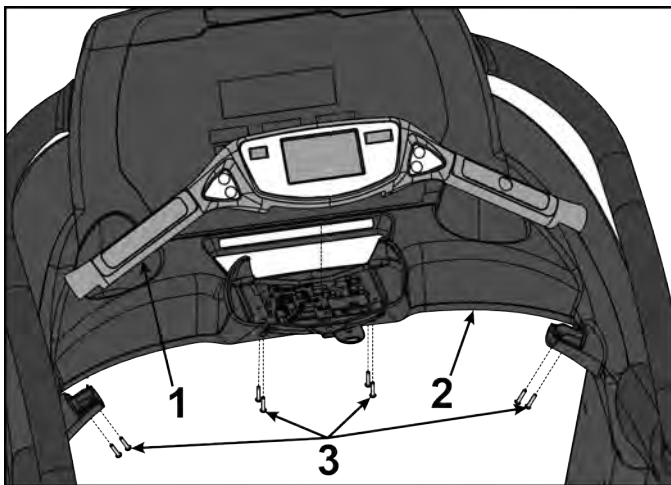
Install handset assembly

1. Place handset assembly in position and plug in the following cables: graphics board (J12), handset membrane (J9), contact heart rate grips (J7) and the ground wire.



Item	Description	Qty.
1	MCC board	1
2	Graphics board (J12)	1
3	Handset membrane (J9)	1
4	Contact heart rate grips (J7)	1

2. Route iPod cable through notch in access cover.
3. Install eight screws securing handset assembly to console using a Phillips screwdriver.



Item	Description	Qty.
1	Handset assembly	1
2	Console	1
3	Screw	8

Update software

Update software using the following [procedure](#).

Complete installation

1. Plug the power cord into the power outlet.
2. Verify the power cord is not being pinched under the front of the treadmill.
3. Operate the unit at all levels to verify proper operation.

E-stop Cover and Motion Sensor

Tools Required:

- Phillips screwdriver
- ESD (Electrostatic Discharge) grounding strap

Disconnect power source

Unplug the power cord from the power outlet.

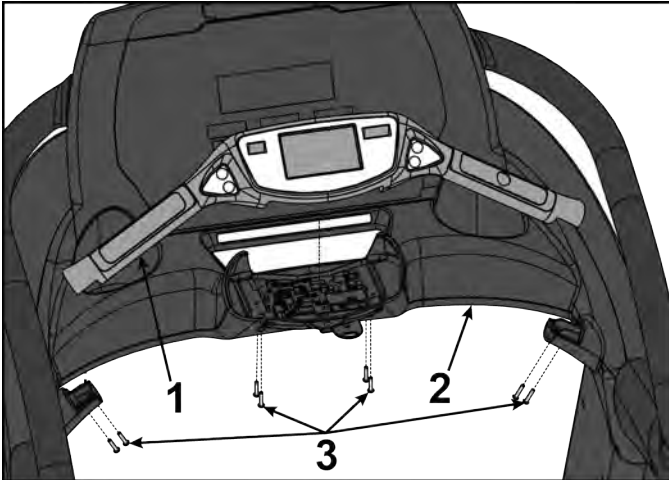
⚠ WARNING

Shock and electrocution hazard.

- Unplug unit and let sit 10 minutes before cleaning or performing maintenance.
- Electrical charge can remain in unit after unplugging.
- Keep water and liquids away from electrical parts.

Remove handset assembly

1. Remove eight screws securing handset to console using a Phillips screwdriver.



Item	Description	Qty.
1	Handset assembly	1
2	Console	1
3	Screw	8

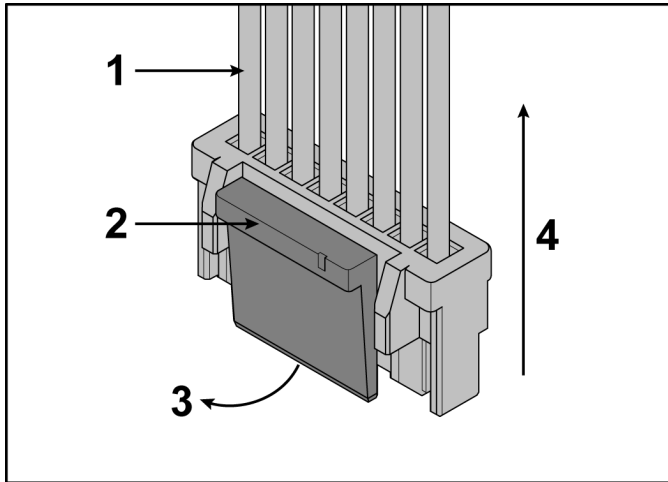
NOTICE

Repairs and Service. Do not damage the wires or connectors when installing or removing cables.

2. Use flashlight to locate cable connectors.

3. Unplug cables from MCC board by un-latching connectors with the following procedure:

a) Press in the top of the cable connector.

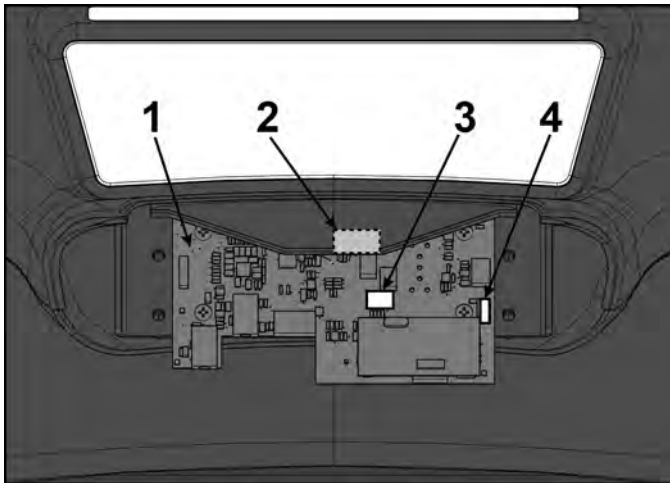


Item	Description	Qty.
1	DO NOT PULL CONNECTOR OUT BY THE WIRES!	1
2	Step a, Latch	1
3	Step b	1
4	Step c	1

b) Ensure latch disengages the connector.

c) Unplug cable by holding down latch and pulling straight out from connector. Do not pull on wires, remove by connector.

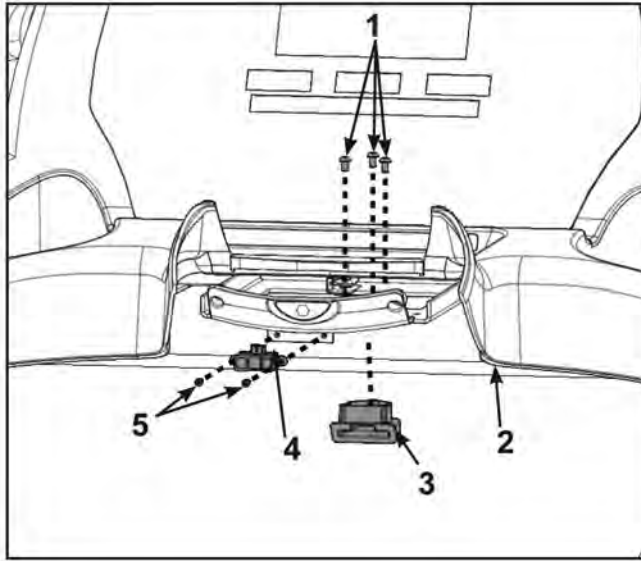
4. Carefully lift handset assembly and unplug the following cables: graphics board (J12), handset membrane (J9), contact heart rate grips (J7) and the ground wire (located under the MCC board).



Item	Description	Qty.
1	MCC board	1
2	Graphics board (J12)	1
3	Handset membrane (J9)	1
4	Contact heart rate grips (J7)	1

Remove E-stop cover

1. Remove the three screws securing the E-stop cover to the console using a Phillips screwdriver.



Item	Description	Qty.
1	Screw	3
2	Console	1
3	E-stop Cover	1
4	Motion Sensor	1
5	Screw	2

2. Remove the E-stop cover.

Remove motion sensor

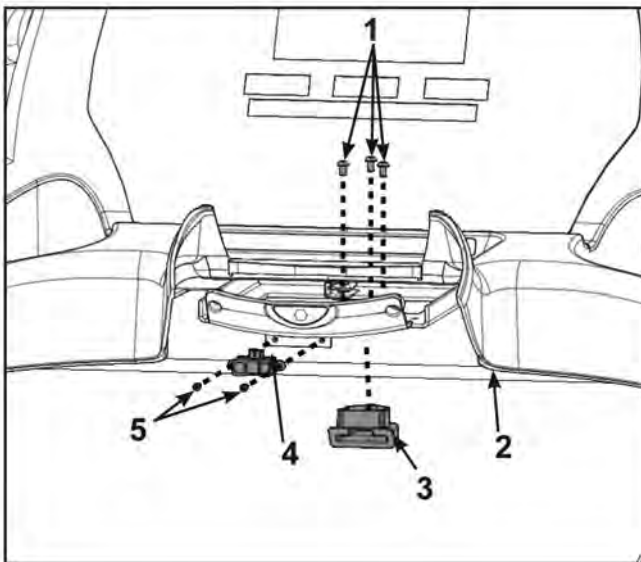
1. Remove the two screws securing the motion sensor to the console using a Phillips screwdriver.
2. Remove the motion sensor.

Install motion sensor

Install the two screws securing the motion sensor to the console using a Phillips screwdriver.

Install E-stop cover

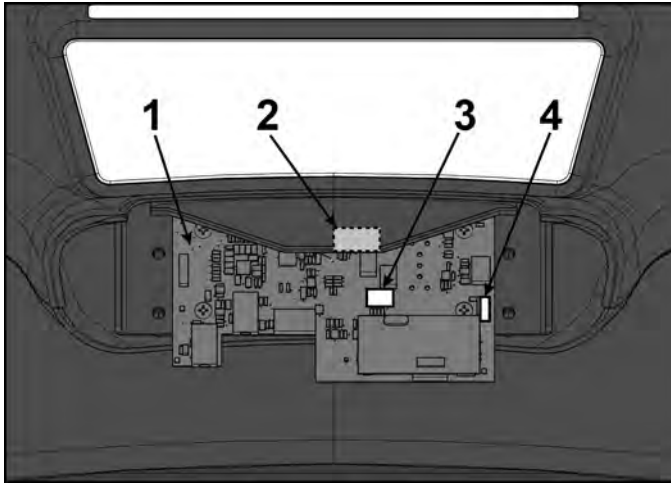
Install the three screws securing the E-stop cover to the console using a Phillips screwdriver.



Item	Description	Qty.
1	Screw	3
2	Console	1
3	E-stop Cover	1
4	Motion Sensor	1
5	Screw	2

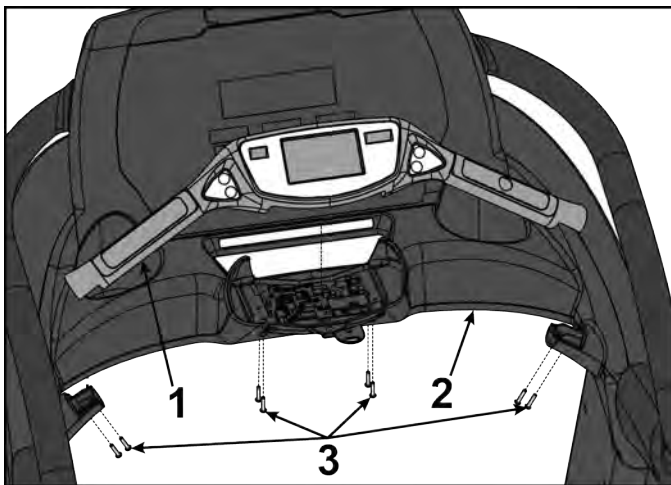
Install handset assembly

1. Place handset assembly in position and plug in the following cables: graphics board (J12), handset membrane (J9), contact heart rate grips (J7) and the ground wire.



Item	Description	Qty.
1	MCC board	1
2	Graphics board (J12)	1
3	Handset membrane (J9)	1
4	Contact heart rate grips (J7)	1

2. Route iPod cable through notch in access cover.
3. Install eight screws securing handset assembly to console using a Phillips screwdriver.



Item	Description	Qty.
1	Handset assembly	1
2	Console	1
3	Screw	8

Complete installation

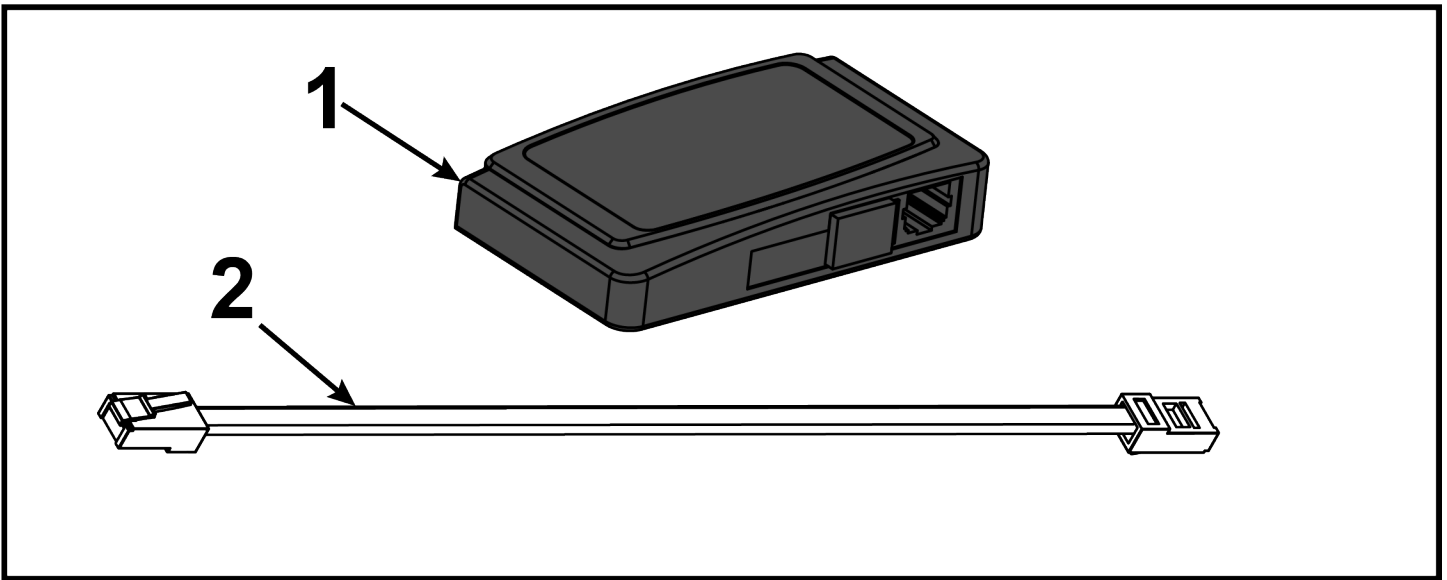
1. Plug the power cord into the power outlet.
2. Verify the power cord is not being pinched under the front of the treadmill.
3. Operate the unit at all levels to verify proper operation.

Wireless Audio Receiver Module

Tools Required:

- Phillips screwdriver
- ESD (Electrostatic Discharge) grounding strap

Parts required to install Wireless Audio Receiver Module.



Item	Description	Qty.
1	MYE Universal Receiver Module 900/800 MHz, AD-26036	1
2	Cable, RJ45, AW-19404	1

Disconnect Power Source

Unplug the power cord from the power outlet.

WARNING

Shock and electrocution hazard.

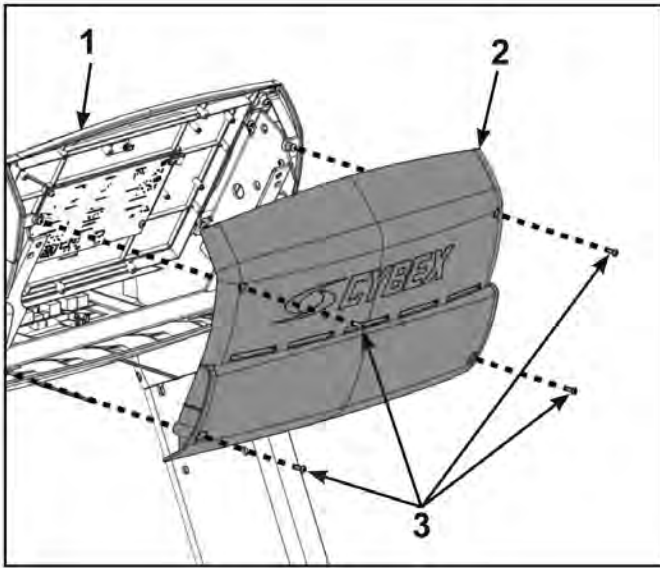
- Unplug unit and let sit 10 minutes before cleaning or performing maintenance.
- Electrical charge can remain in unit after unplugging.
- Keep water and liquids away from electrical parts.

NOTICE

Component damage. Wear an ESD grounding strap during this procedure. Connect ESD grounding strap to frame bolts or unpainted metal of frame. If ESD grounding strap is not available, touch frame bolts or unpainted metal of frame before handling any electronics.

Remove back cover

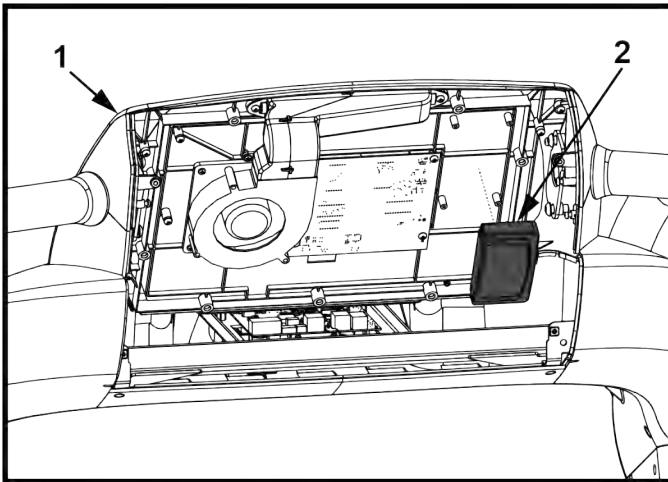
Remove four screws securing back cover to console assembly using a Phillips screwdriver.



Item	Description	Qty.
1	Console Assembly	1
2	Back Cover	1
3	Screws	4

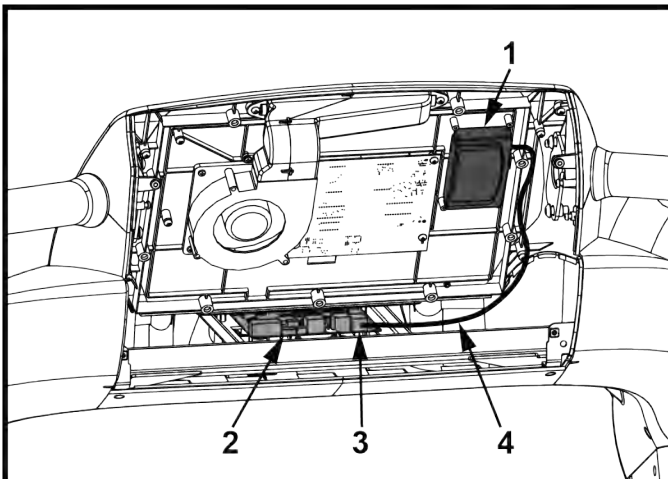
Install wireless audio receiver module

1. Remove adhesive backing from wireless audio receiver module.
2. Install wireless audio receiver module in location shown on console assembly.



Item	Description	Qty.
1	Console assembly	1
2	Wireless audio receiver module	1

3. Plug RJ45 cable into wireless audio receiver module.

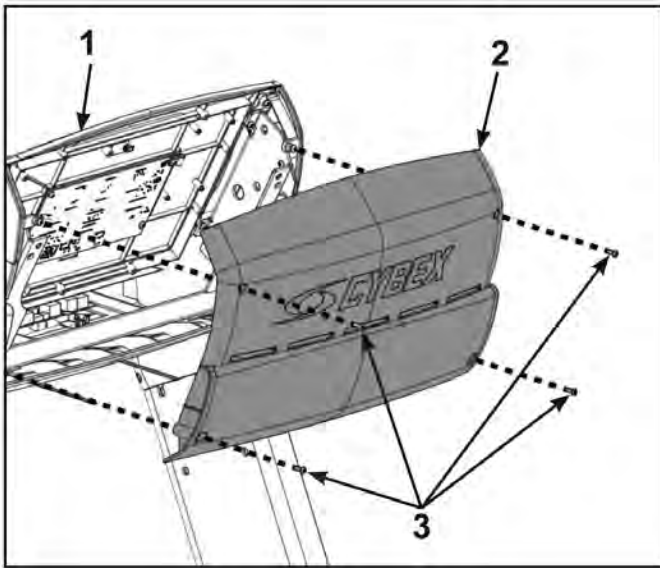


Item	Description	Qty.
1	Wireless audio receiver module	1
2	MCC board	1
3	Audio, gray (J14)	1
4	RJ45 cable	1

4. Route RJ45 cable as shown and plug into gray audio connector (J14) on MCC board.

Install back cover

Install the four screws securing the back cover to the console assembly using a Phillips screwdriver.



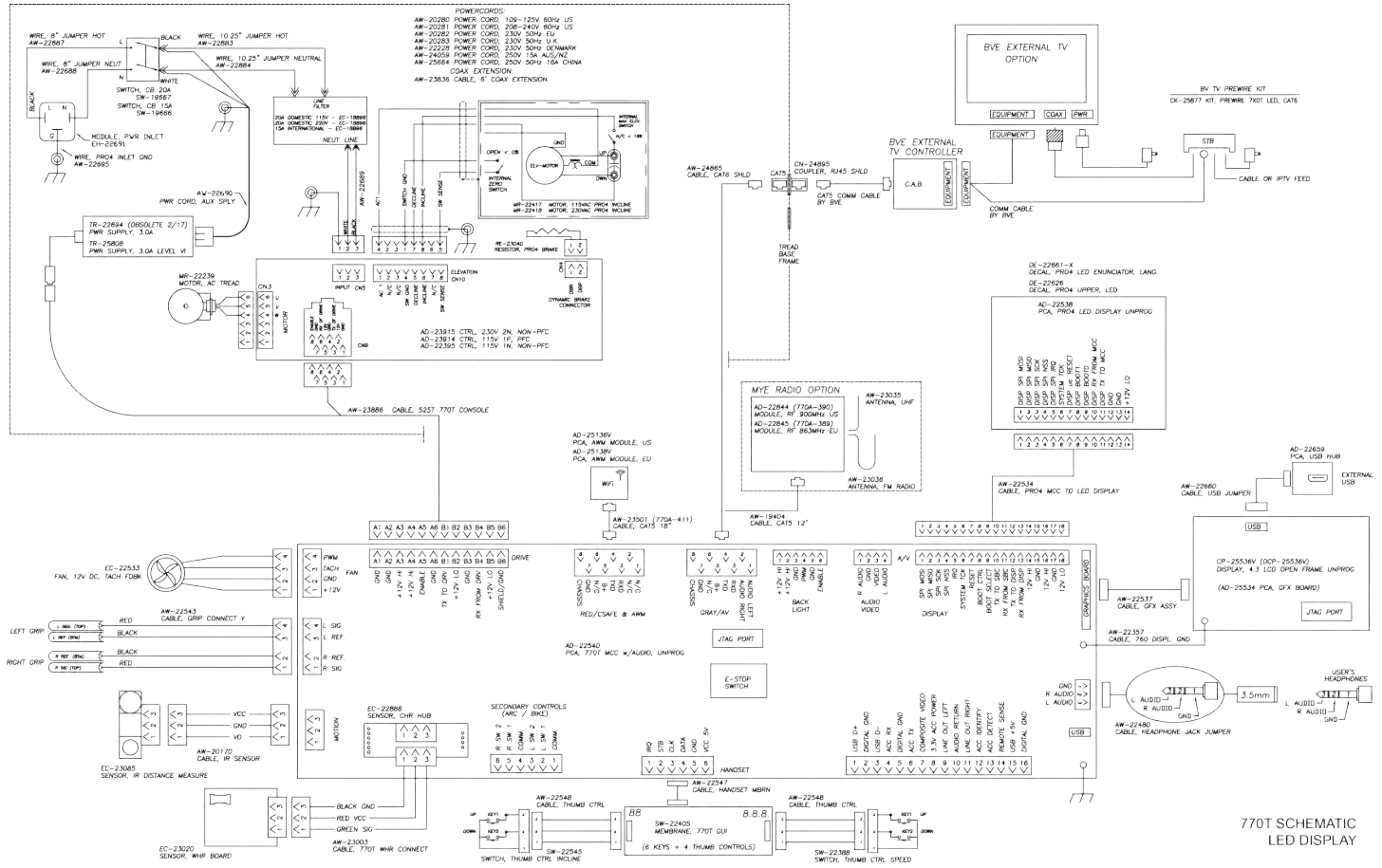
Item	Description	Qty.
1	Console Assembly	1
2	Back Cover	1
3	Screws	4

Complete installation

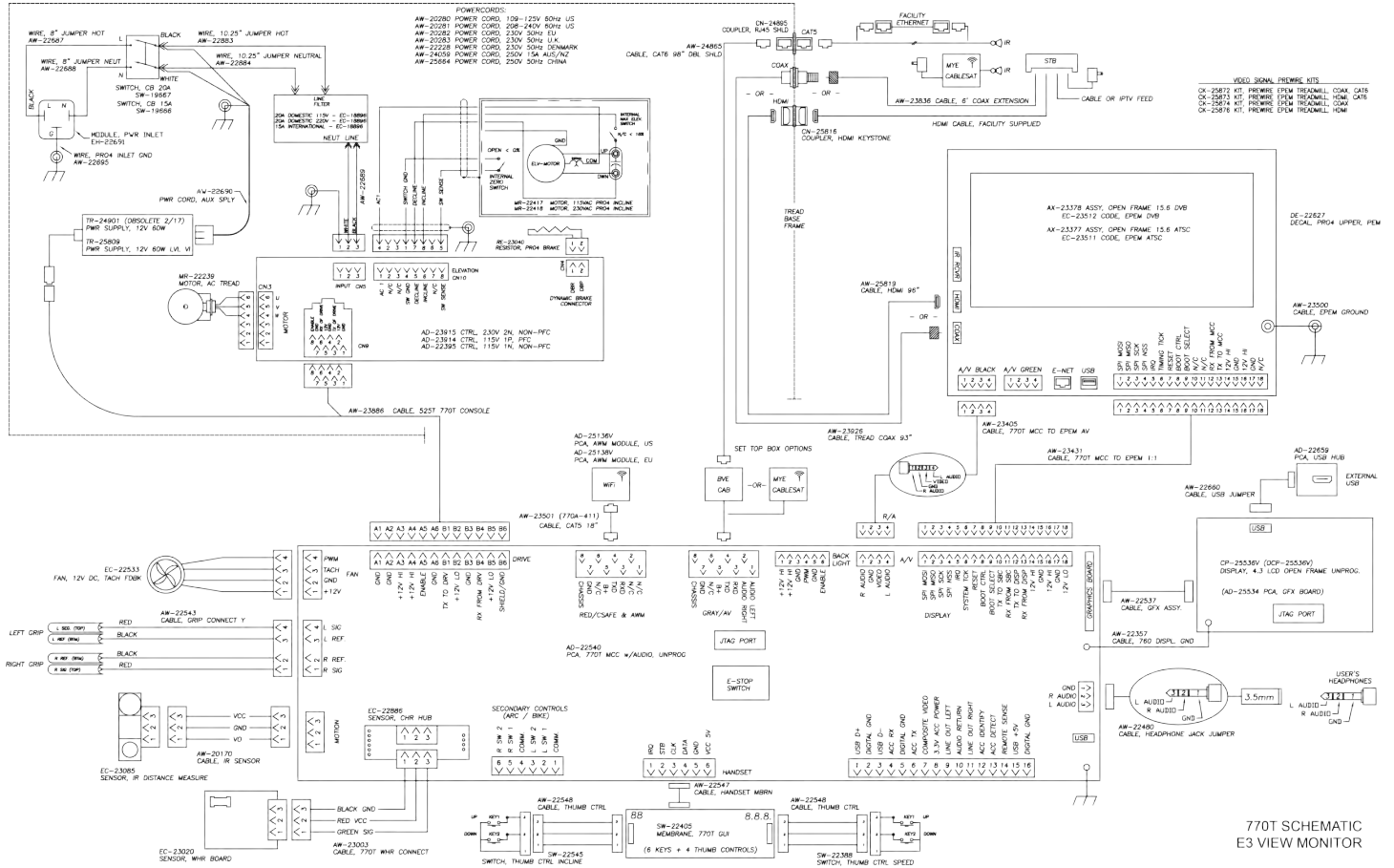
1. Plug the power cord into the power outlet.
2. Operate the unit at all levels to verify proper operation.
3. Follow procedure in [Shared TV Setup](#).

Schematics

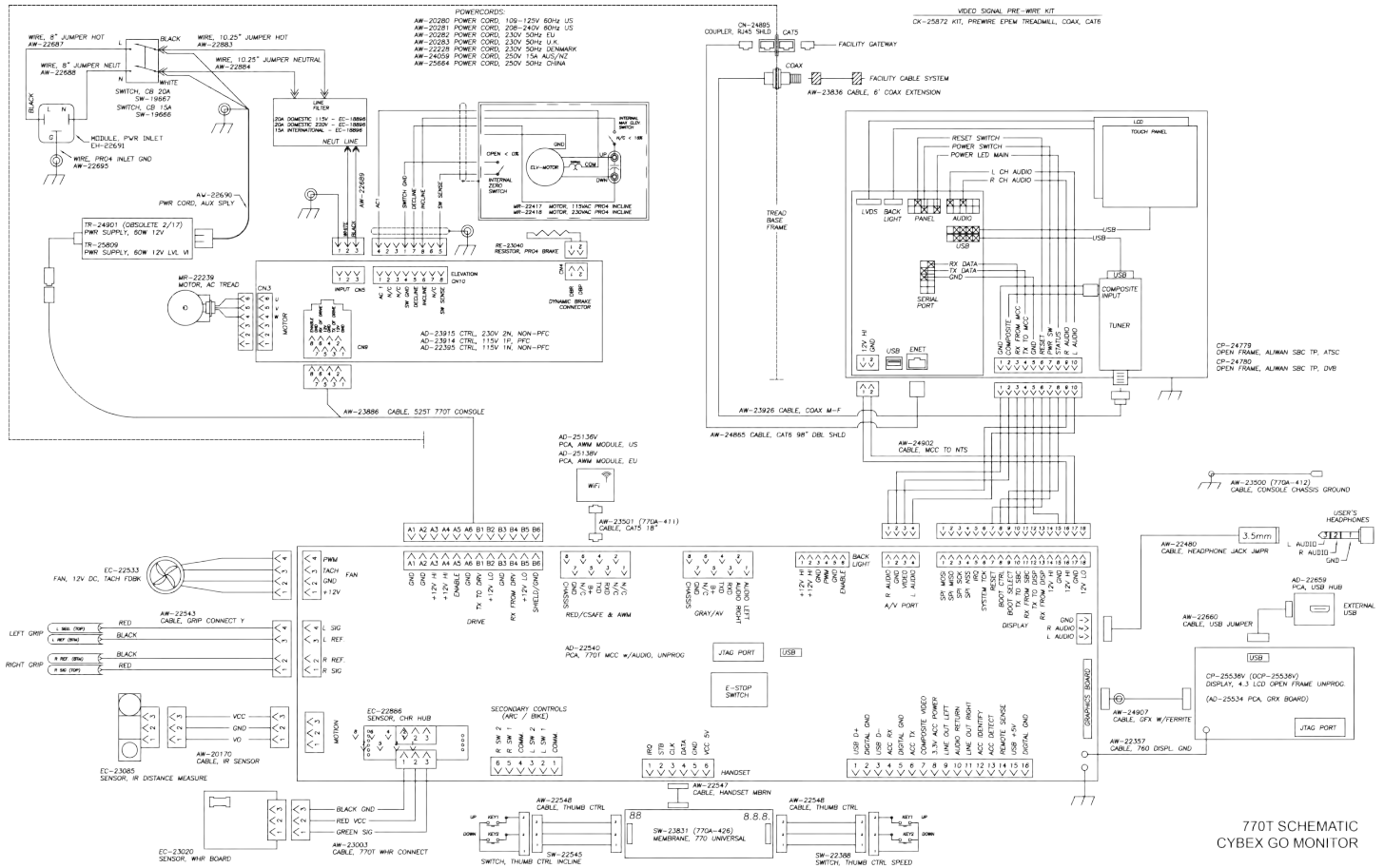
Schematic 770T LED Display



Schematic 770T E3 View Monitor

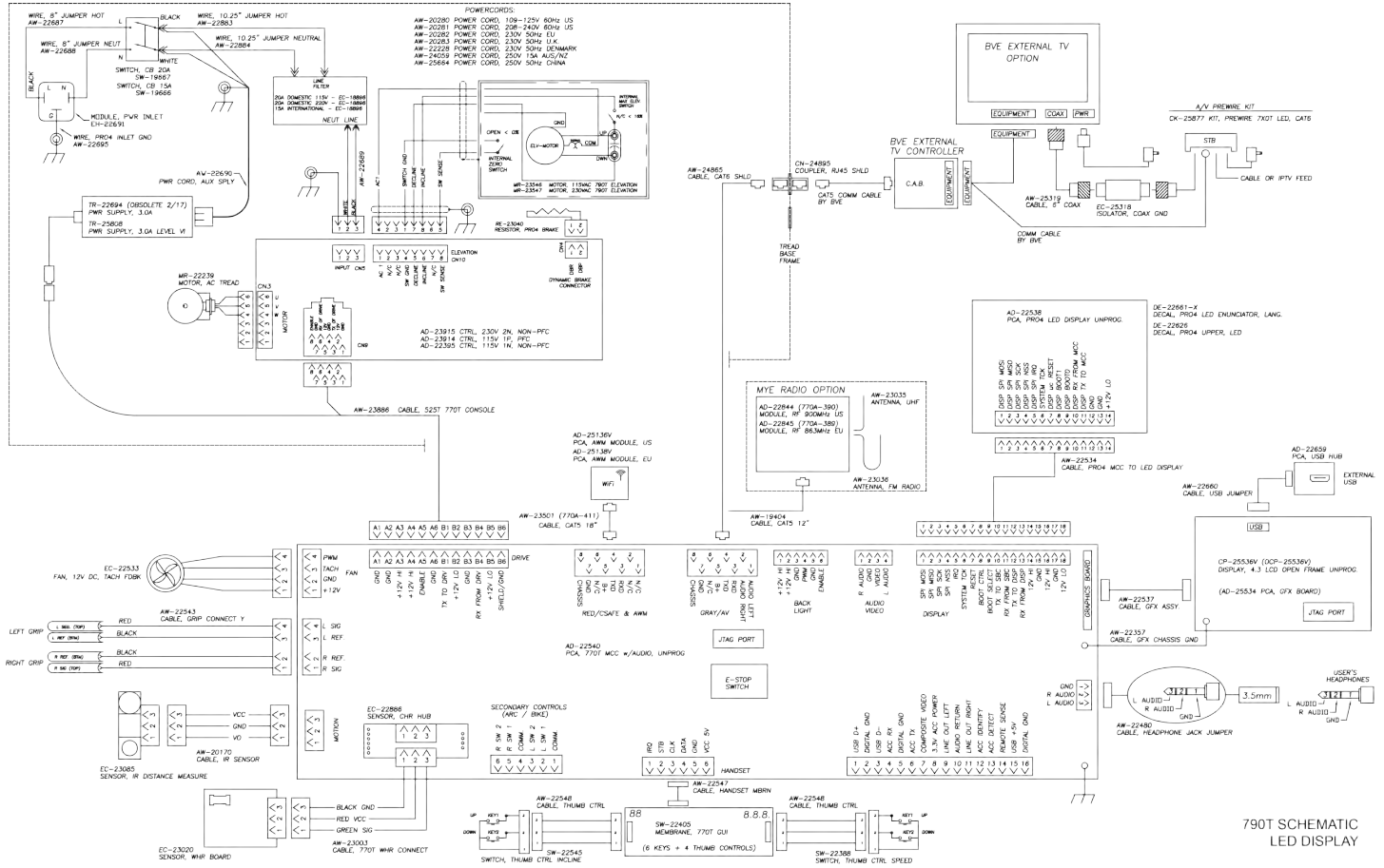


Schematic 770T Cyberx GO



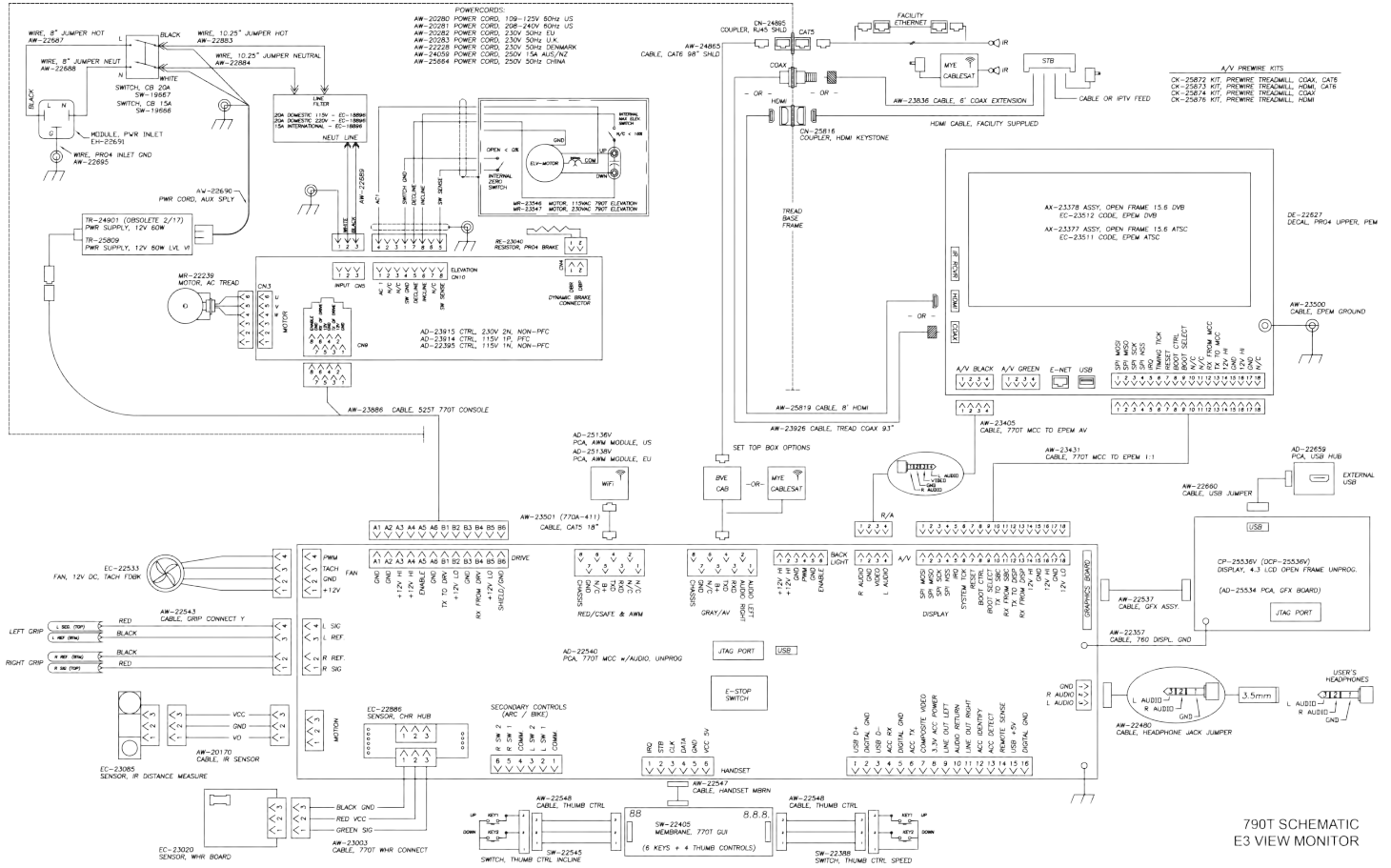
770T SCHEMATIC
CYBERX GO MONITOR

Schematic 790T LED Display



790T SCHEMATIC LED DISPLAY

Schematic 790T E3 View Monitor





Columbia Center III - 9525 West Bryn Mawr Ave, Rosemont, IL 60018 • 800-351-3737 • 847-288-3700 • FAX 800-216-8893

www.cybexintl.com