



**Cybex 770T Treadmill**  
**Cybex GO Monitor, Owner's Manual**  
Cardiovascular Systems  
Part Number LT-24920-4 E

# Table of Contents

## Safety

Safety Guidelines and Practices.....	4
Power Cord Information.....	4
Voltage Information.....	5
Important Safety Instructions.....	5
Warning Decals.....	7
Label Placement.....	9
Emergency Stop Key (e-stop).....	10

## Assembly

Specifications - 770T, Cybex GO Monitor.....	12
Choosing and Preparing a Site.....	13
Environment.....	14
Electrical Power Requirements.....	14
Verify parts list shown below.....	15
Tools Required.....	17
Assembly Procedure.....	17
Cybex GO Setup.....	30
Equipment Setup.....	37
Testing Operation.....	38

## Operation

Intended Use.....	40
Terms Used.....	40
User Control Symbols Used.....	40
CardioTouch Symbols Used.....	41
CardioTouch Screen and User Controls.....	44
Cybex GO Console and User Controls.....	45
Cybex GO Console Log In or Sign Up.....	46
Quick Operation Guide.....	47
Detailed Operation Guide.....	48
Stopping the Treadmill.....	50
Safety Sentry.....	51
Workout Selection.....	51
Data Readouts.....	53
Heart Rate Indicator.....	53
Meaning of % Grade.....	54
Fan Control.....	54
iPod/iPhone Functions.....	55
CSAFE Port.....	55

## Maintenance

Warnings.....	57
Clean Unit.....	57
Vacuum Motor Bay.....	58
Running Belt.....	60
Other Maintenance.....	62
Cybex GO Monitor.....	63
Service Wheel (optional).....	63
Service Schedule.....	65

## Customer Service

Product Registration.....	67
Contacting Service.....	67
Ordering Parts.....	67
Return Material Authorization (RMA).....	68
Damaged Parts.....	68

## Appendix - Workout Overviews

Speed Bump.....	69
Rollers.....	70
Hills.....	71
Peaks.....	72
Hill Interval 1:1.....	73
Hill Interval 1:2.....	74
Hill Interval 1:3.....	75
Interval Plus.....	76
Heart Rate Control.....	77
Gerkin Protocol.....	79
Army.....	80
Air Force.....	82
Navy < 5K.....	87
Navy > 5K.....	90
Marines Sea Level.....	93
Marines > 4.5K.....	94
One Mile Test.....	95

Cybex® and the Cybex logo are registered trademarks of Cybex International, Inc. Polar® is a registered trademark of Polar Electro Inc. iPod and iPhone are trademarks of Apple Inc., registered in the U.S. and other countries. Safety Sentry™ is a registered trademark of Cybex International, Inc.

**DISCLAIMER:** Cybex International, Inc. makes no representations or warranties regarding the contents of this manual. We reserve the right to revise this document at any time or to make changes to the product described within it without notice or obligation to notify any person of such revisions or changes.

© Copyright 2016, Cybex International, Inc.  
 10 Trotter Drive, Medway, MA 02053 • 888-462-9239 • 508-533-4300 • FAX 508-533-5183  
[www.cybexintl.com](http://www.cybexintl.com) • LT-24920-4 E • February 2016

## ***FCC Compliance Information***

---


Changes or modifications to this unit not expressly approved by the party responsible for compliance could void the user's authority to operate the equipment.

This equipment has been tested and found to comply with the limits for a Class A digital device, pursuant to part 15 of the FCC Rules. These limits are designed to provide reasonable protection against harmful interference when the equipment is operated in a commercial environment. This equipment generates, uses, and can radiate radio frequency energy and, if not installed and used in accordance with the instruction manual, may cause harmful interference to radio communications. Operation of this equipment in a residential area is likely to cause harmful interference in which case the user will be required to correct the interference at his own expense.

Modifications not expressly approved by the manufacturer could void the user's authority to operate the equipment under FCC rules.

# Safety

## Safety Guidelines and Practices

 Read the Owner's Manual carefully before assembling, servicing, or using the equipment. Owner must comply with all safety guidelines in this manual. It is also the owner's responsibility to instruct users on the safe and proper operation of the equipment and to properly display any and all warning labels and instructional placards. All users should read these labels and placards before using equipment.

### **WARNING**

Serious injury or death could occur if the following safety precautions and instructions are not followed.

## Power Cord Information

This treadmill must be grounded. If it should malfunction or break down, grounding provides a path of least resistance for electric current to reduce the risk of electric shock. This product is equipped with a cord having an equipment-grounding conductor and a grounding plug. The plug must be plugged into an appropriate outlet that is properly installed and grounded in accordance with all local codes and ordinances.

### **WARNING**

Shock and electrocution hazard.


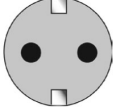

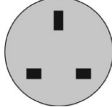

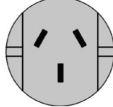

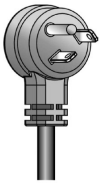

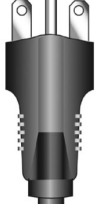
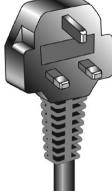
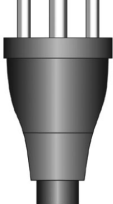

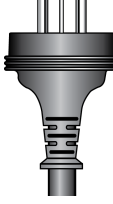
- Connect unit to a grounded outlet.
- Do not use voltage adapter or extension cord.

### **NOTICE**

Cybex is not responsible for injuries or damages as a result of cord or plug modification.

- Verify voltage requirements of unit match local voltage requirements.
- Verify unit outlet is the same configuration as the plug.

## Power cord configurations

						
						
115 VAC	Euro Plug	220 VAC	UK 230 VAC	Danish	Australia	Chinese

NEMA 5-20	CEE 7/7	NEMA 6-15	BS 1363	107-2-D1	AS/NZS 3112	GB 2099-1 and GB 1002-1
-----------	---------	-----------	---------	----------	-------------	-------------------------------

## ***Voltage Information***

---

Before plugging the power cord into an electrical outlet, verify that the voltage requirements for the site match the voltage of the treadmill that has been received. The power requirements for the unit include a grounded, dedicated circuit, rated for one of the following:

- 100 VAC, 50/60 Hz, 20A
- 115 VAC, 50/60 Hz, 20A
- 208 VAC, 60 Hz, 15A
- 220 VAC, 60 Hz, 15A
- 230 VAC, 50 Hz, 13A, UK

See the front warning decal for the voltage requirements of the treadmill.

## ***Important Safety Instructions***

---

(Save These Instructions)

### **⚠️ WARNING**


Shock and electrocution hazard.

- Unplug unit and let sit 10 minutes before cleaning or performing maintenance.
- Electrical charge can remain in unit after unplugging.
- Keep water and liquids away from electrical parts.

## ***User Safety Precautions***

---

Prior to use:

- Obtain a medical exam before beginning any exercise program.
- Obtain instruction before using.
-  Read and understand warning labels.
- Read and understand emergency stop procedures.
- Maximum user weight is 400 lbs. (180 kg).
- Inspect unit. If damaged, notify floor staff. DO NOT USE.
- Place your feet on the two top steps when starting or stopping the treadmill.
- Clip E-STOP lanyard to clothing.
- Do not remove this label. Replace if damaged or illegible.

During use

- Do not use for stretching and do not attach straps or other devices.
- Do not allow children 12 or younger to be on or near machine.
- Stop exercise if feeling faint, dizzy, or have pain.
- Use the handrails for support and to maintain balance.

- Keep all body parts, clothing, and accessories, clear of moving parts.
- Wait until running belt comes to a complete stop before getting off.

## Facility Safety Precautions

---

It is the sole responsibility of the user/owner or facility operator to ensure that regular maintenance is performed.

- Enforce all user and safety precautions.
- Read and understand the Owner's Manual completely before assembling, servicing or using unit.
- Verify all users are properly trained on using the equipment.
- Do not use unit outdoors.
- Verify that each unit is setup, leveled and operated on a solid level surface. Do not install equipment on an uneven surface. Do not operate in recessed areas or on plush carpet.
- Verify there is enough room for safe access and operation of unit.
- Instruct all users on how to clip the e-stop clip onto their clothing and carefully test it prior to using the treadmill.
- Instruct all users to use caution when mounting and dismounting the treadmill.
- Use a dedicated line when operating the treadmill. A dedicated line requires one circuit breaker per unit.
- Connect the treadmill to a properly grounded outlet only.
- DO NOT operate electrically powered treadmills in damp or wet locations.
- Keep the running belt clean and dry at all times.
- DO NOT leave the treadmill unattended when plugged in and running.
  - 👉 **Note:** Before leaving the treadmill unattended, always wait until the treadmill comes to a complete stop and is level. Then, turn all controls to the STOP or OFF position and remove the plug from the outlet. Remove the e-stop key from the treadmill.
- Immobilize the treadmill (when not in use) by removing the e-stop key.
- Inspect the treadmill for worn or loose components before each use. Do not use until worn or damaged parts are replaced.
- Stop and place the treadmill at 0 degrees incline (level) after each use.
- Maintain and replace worn parts regularly. Refer to "Preventive Maintenance" section of Owner's Manual.
- DO NOT operate the treadmill if: (1) the cord is damaged; (2) the treadmill is not working properly or (3) if the treadmill has been dropped or damaged. Seek service from a qualified technician.
- DO NOT place the cord near heated surfaces or sharp edges.
- DO NOT use the treadmill outdoors.
- DO NOT operate the treadmill around or where aerosol (spray) or where oxygen products are being used.
- Ensure all users wear proper footwear on or around all Cybex equipment.
- Disconnect power before servicing.
- DO NOT attempt repairs, electrical or mechanical.

Seek qualified repair personnel when servicing. If you live in the USA, contact Cybex Customer Service at 888-462-9239. If you live outside the USA, contact Cybex Customer Service at 508-533-4300.
- Use Cybex factory parts when replacing parts on the treadmill.

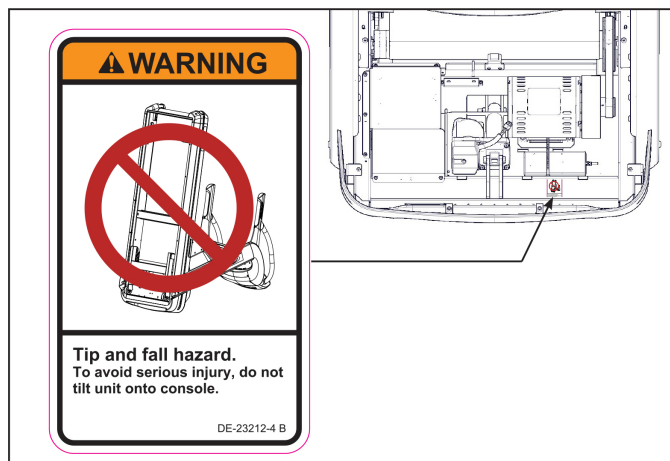
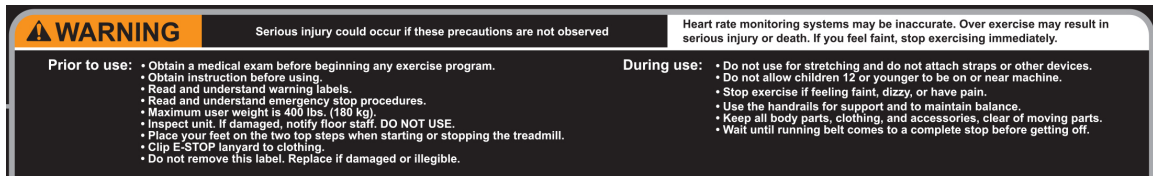
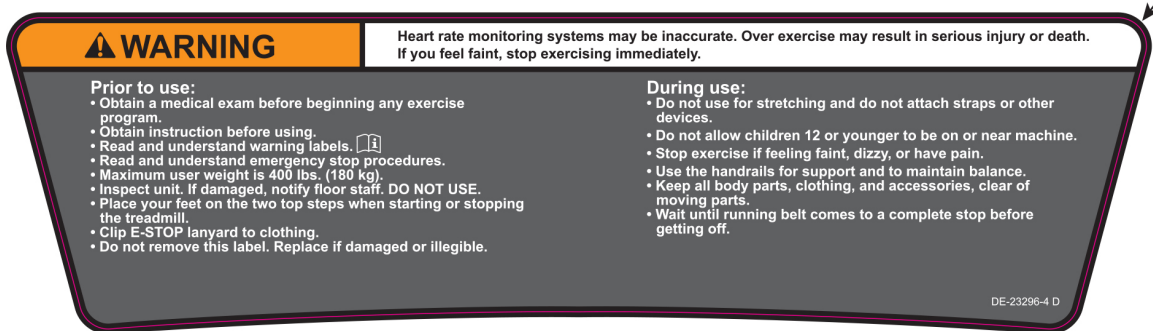
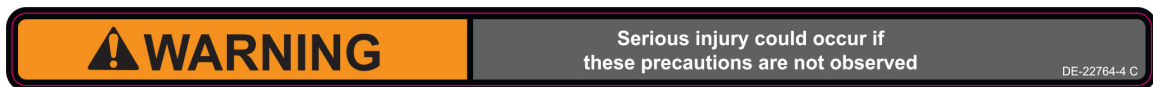
- DO NOT modify the treadmill in any way.
- DO NOT use attachments unless recommended for the treadmill by Cybex.

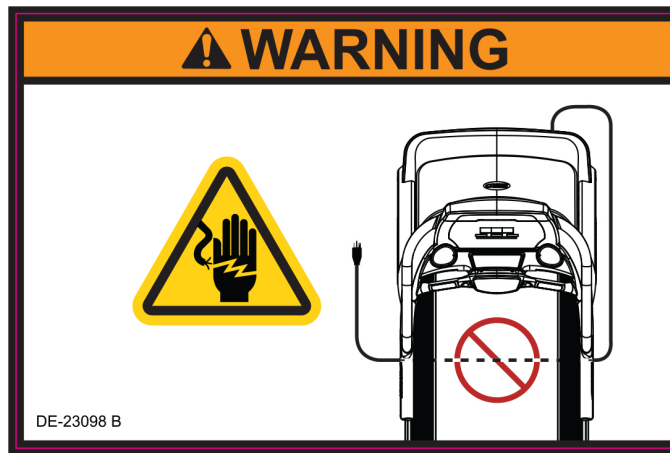
## Warning Decals

Warning labels indicate a potentially hazardous situation that could result in serious injury or death if the precautions are not observed.

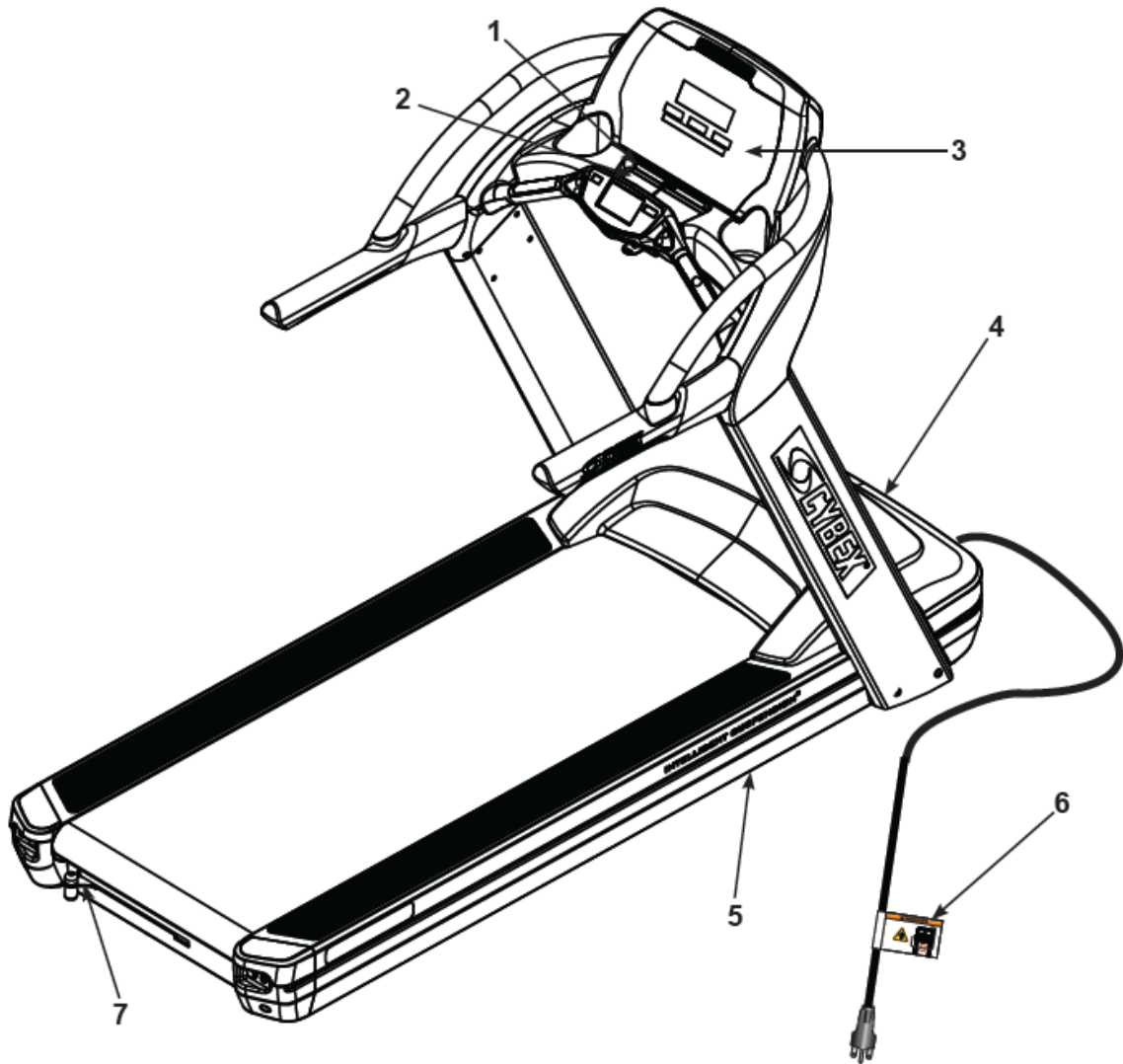
Caution labels indicate a potentially hazardous situation that could result in serious injury or damage to machine if the precautions are not observed.

Contact [Cybex Customer Service](#) to replace any worn or damaged labels.





## Label Placement

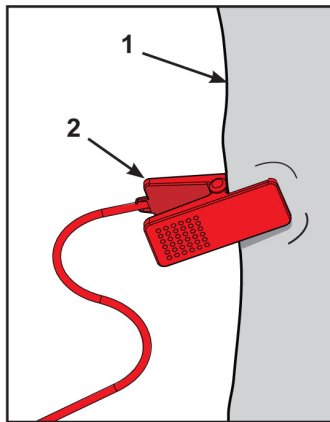


1	DE-22764-X	Decal, Warning upper, console
2	DE-23296	Decal, Warning lower, console
3	DE-23080-4	Decal, Warning, Upper Display, Canada
4	DE-22910	Decal, Motor Cover, 115 VAC
4	DE-23079	Decal, Motor Cover, 230 VAC
5	DE-23212-4	Label, Warning, Do not tilt
6	DE-23098	Decal, Power Cord
7	DE-25047-4	Decal, lever, service wheel

## ***Emergency Stop Key (e-stop)***

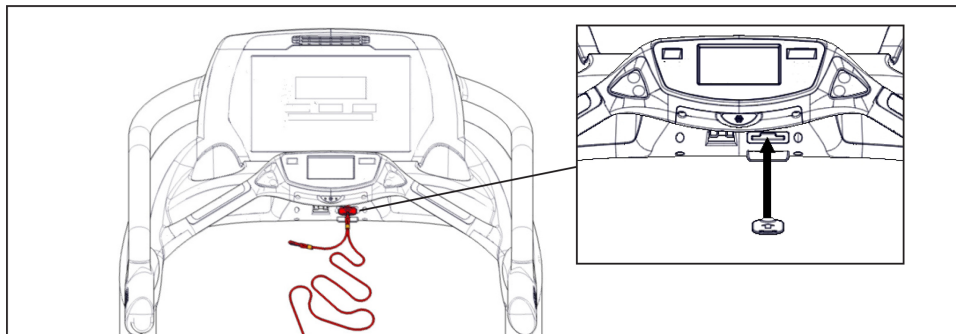
The e-stop key functions as an emergency stop. In an emergency situation, the e-stop key disengages from the console and the treadmill will come to a stop. Before using the treadmill, clip the e-stop key as described below.

1. Compress the spring and clip the e-stop clamp to your clothing.  
Ensure the clip engages enough clothing so it does not fall off in an emergency situation. Be sure the string is free of knots and has enough slack for you to workout comfortably with the e-stop key in place.



	Description	Qty.
1	Clothing	1
2	Clip	1

2. Without falling off the treadmill, carefully step backward until the e-stop pulls out of the console. If the e-stop clip falls off your clothing then the test has failed. Reclip the e-stop clip to your clothing and repeat this step.

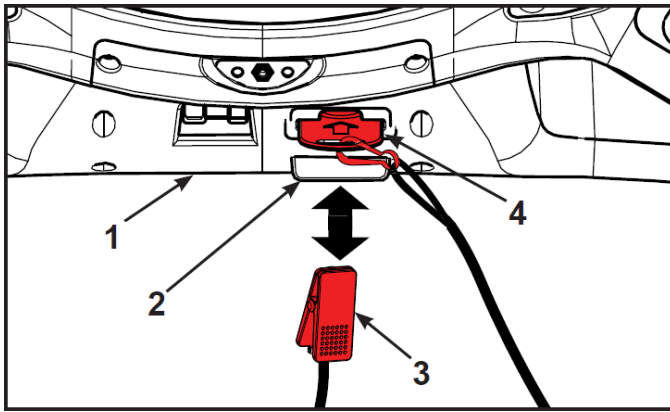


3. Replace the e-stop key.
4. The treadmill is now ready to be used. Ensure the e-stop clip is secured to your clothing at all times during use.

**5.** After use, remove the e-stop key from the treadmill.

The e-stop key can be removed to help prevent unauthorized use. Refer to the Stopping the Treadmill section in the Operation chapter for more information about the e-stop key.

When not in use store the e-stop clip on the storage tab located on the lower cover.



	Description	Qty.
1	Lower cover	1
2	Storage tab	1
3	E-Stop clip	1
4	E-Stop	1

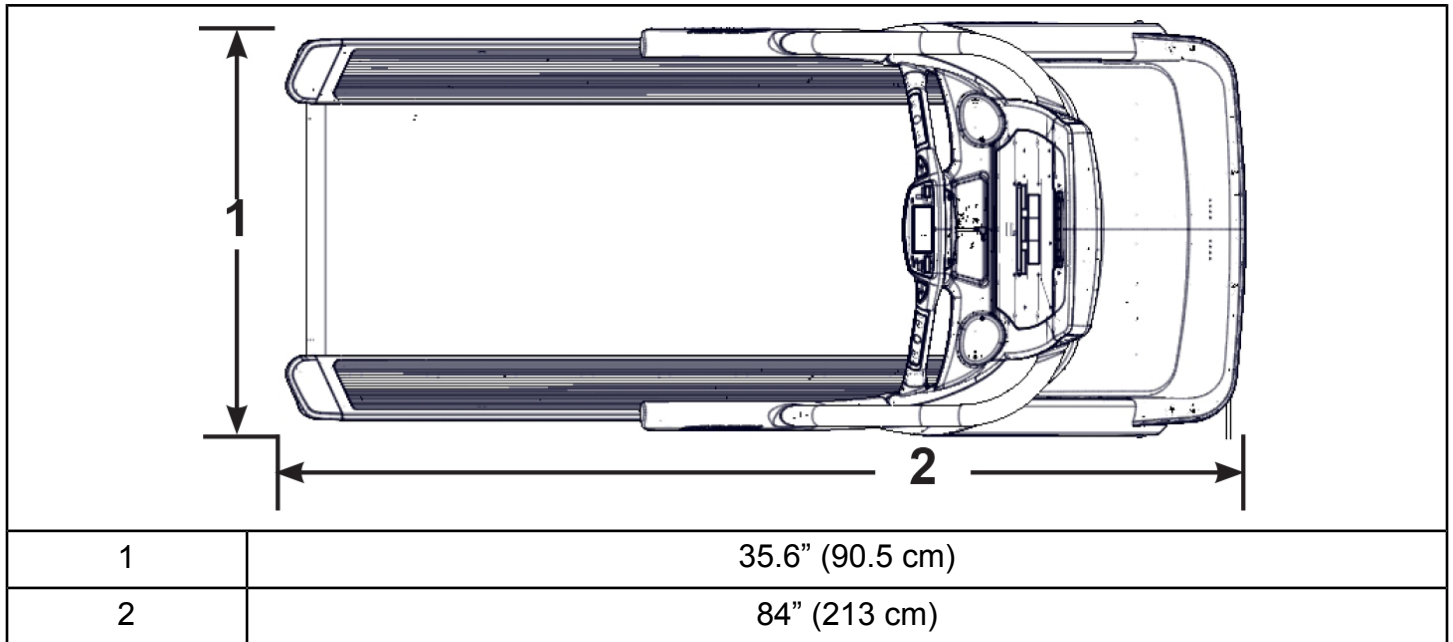
# Assembly

## **Specifications - 770T, Cybex GO Monitor**

Assembled Length	84" (213 cm)
Assembled Width	35.6" (90.5 cm)
Assembled Height	62.5"(159 cm)
Weight of Product	410 lbs. (186 kg)
Shipping Weight	440 lbs. (200 kg)
Incline Levels	0-15 % grade
Speed Range	0.5 to 12.4 mph (0.8 to 20.0 kph) in 0.1 mph or 0.1 kph increments
Workouts	Quick Start and nine workouts with user orientated goal (Time, Distance or Calories). Advanced programming includes, Gerkin protocol and all Military Protocols.
Console Features	Upper console: Cybex GO monitor. Displays - BPM, Calories, Cal/Hr, Distance, MET, Pace, Time, and Watt. Lower console: Two numeric displays for incline and speed. Accessory trays and water bottle holder.
Heart Rate Features	Built-in 5 KHz wireless heart rate receiver (transmitter not included) and contact heart rate monitoring.
Maximum User Weight	400 lbs. (180 kg).
Power Rating	115 VAC 50/60 Hz. or 220/230 VAC 50/60 Hz.
Other	iPod/iPhone compatibility.

## Top View 770T

### Dimensions

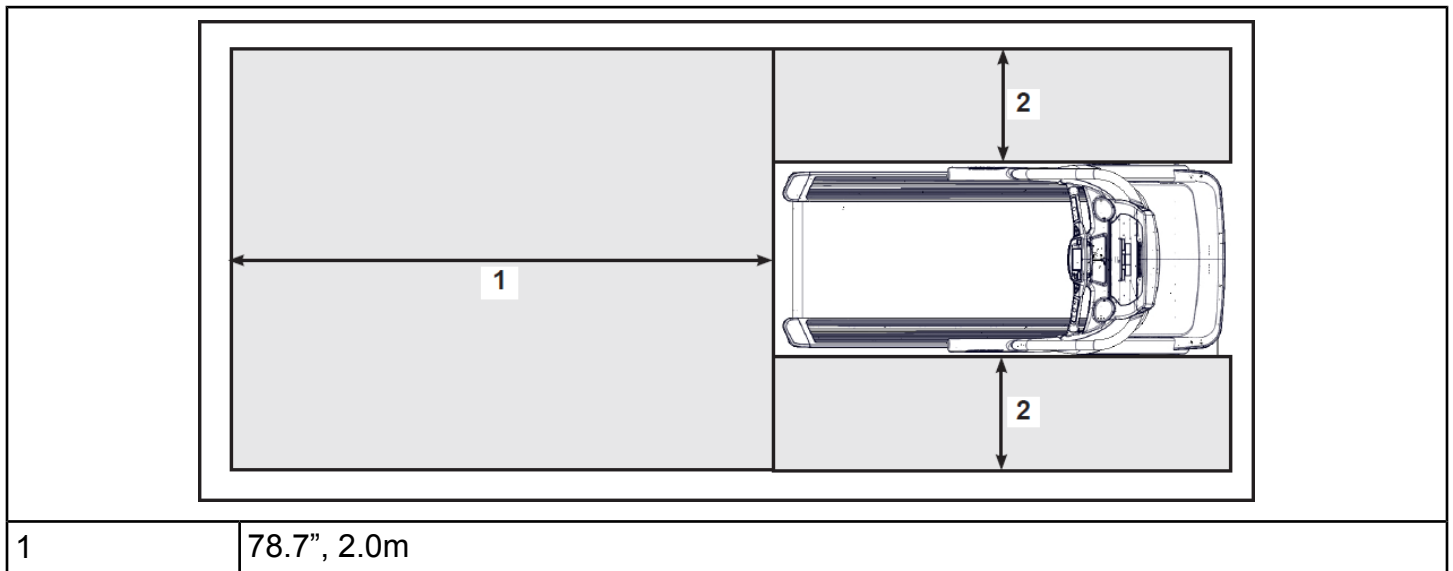


### Choosing and Preparing a Site

**Before assembling the unit, verify the chosen site meets the following criteria:**

- Area is well lit and well ventilated.
- Surface is structurally sound and properly leveled.
- Free area for access to unit and emergency dismount. Minimum clearance is 19.7 inches (0.5 meters) on the sides of the unit and 78.7 inches (2.0 meters) behind the unit.
- Adjacent units may share the free area.

### Free area



2	19.7", 0.5m
---	-------------

It is the responsibility of the facility owner/owner of the equipment to ensure that there is appropriate clearance around each machine to allow for safe use and passage.

In compliance with the ADA (American Disabilities Act) there must be clear floor space of at least 30 by 48 inches and be served by an accessible route for at least one of each type of exercise equipment. If the clear space is enclosed on three sides (e.g., by walls or the equipment itself), the clear space must be 36 by 48 inches.

All other machines must have a clear floor space of 23" for all access point on the machine.

The dimensions stated in the assembly instructions of this manual include the maximum foot print (in use) dimensions.

Minimum clearance of 12" (30 cm) between units for proper wireless heart rate signal operation.

## ***Environment***

---

### **Humidity and Static Electricity**

The unit is designed to function normally in an environment with a relative humidity range of 30% to 75%. The unit can be shipped and stored in a relative humidity range of 10% to 90%.

Climatic dry air may cause static electricity. During workout, user may experience a shock due to build up of static electricity on the body and the discharge path of the unit. If static electricity is experienced, increase humidity to a comfortable level through the use of a humidifier.

Do not install, use or store the unit in an area of high humidity, such as in the vicinity of a steam room, sauna, indoor pool or outdoors. Exposure to extensive water vapor, chlorine and/or bromine could adversely affect the electronics as well as other parts of the unit.

### **Temperature**

The unit is designed to function normally in an environment with an ambient temperature range of 50° F (10° C) to 104° F (40° C). The unit can be shipped and stored in an environment with an ambient temperature range of 32° F (0° C) to 140° F (60° C).

## ***Electrical Power Requirements***

---

The power requirements for this treadmill are a grounded, dedicated circuit rated for one of the following:

- 100 VAC, 50/60 Hz, 20A
- 115 VAC, 50/60 Hz, 20A
- 208 VAC, 60 Hz, 15A
- 220 VAC, 60 Hz, 15A
- 230 VAC, 50 Hz, 13A, UK

**⚠ WARNING**

Shock and electrocution hazard.

- Connect unit to a grounded outlet.
- Do not use voltage adapter or extension cord.

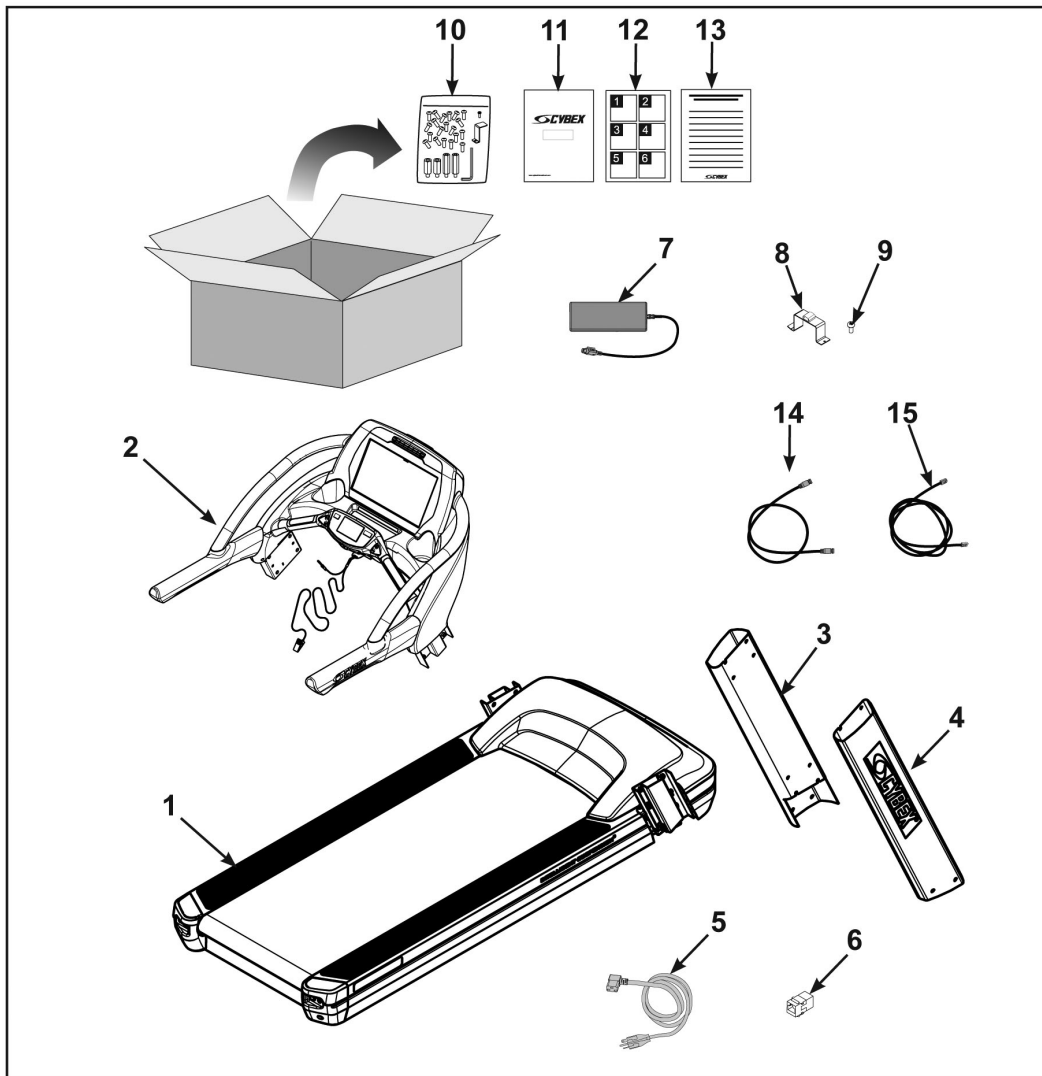
Verify the unit is connected to an outlet having the same configuration as the plug.

Verify connection is a grounded circuit. Do not use a ground-plug adapter to adapt the 3-prong power cord to a non-grounded electrical outlet.

Verify power supply is compliant with local building codes.

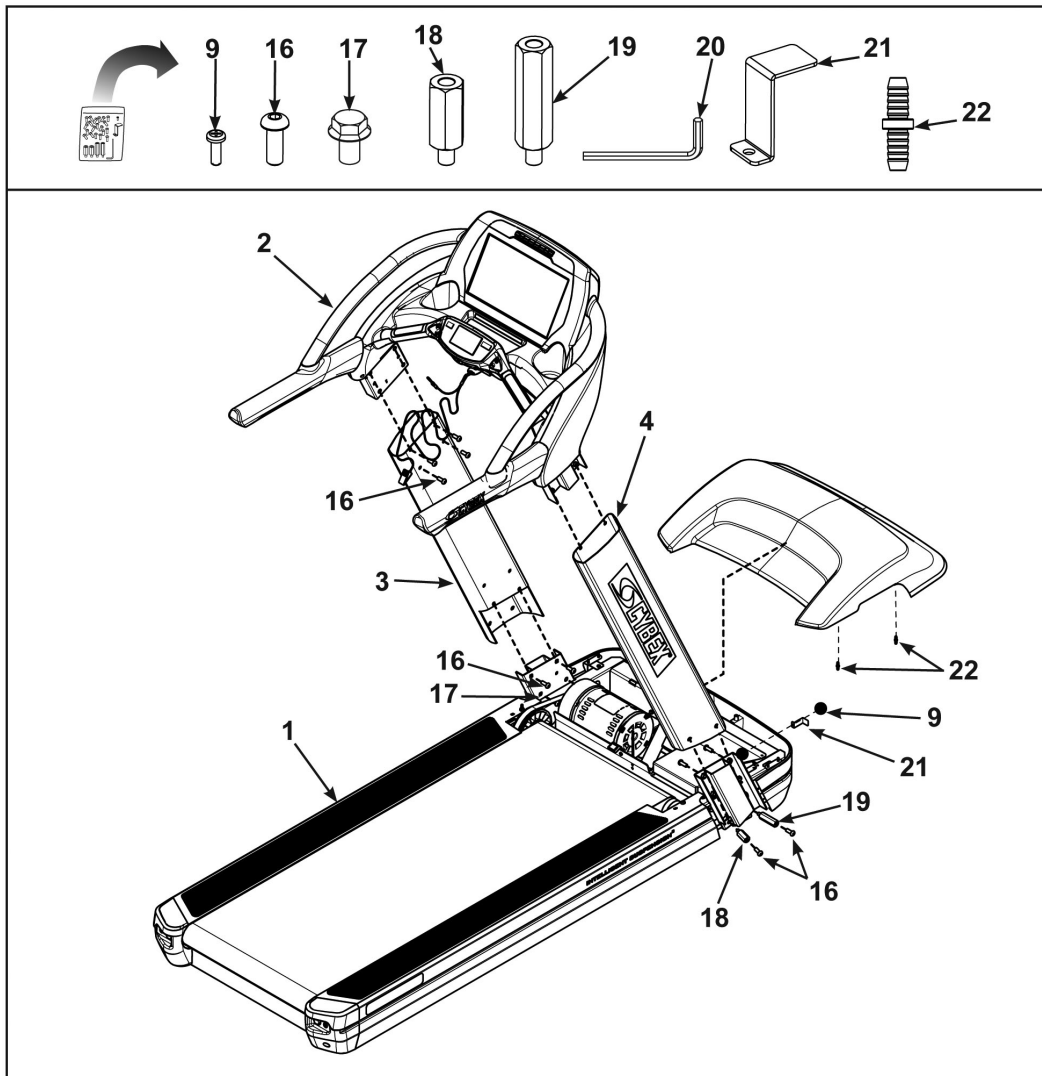
**Verify parts list shown below**

Item	Quantity	Part Number	Description
1	1	Varies	Base assembly
2	1	Varies	Console assembly
3	1	FM-22900	Upright, Left
4	1	FM-22901	Upright, Right
5	1	Varies	Power Cord
6	1	CN-24895	Coupler, Ethernet
7	1	Varies	Power Supply
8	2	FS-23044	Clamp
9	2	HS-21672	Screw, #8-32 x 1/2"
10	1	AX-23019	Hardware pack
11	1	LT-24920-X	Owner's Manual
12	1	LT-25033	Assembly poster
13	1	LT-23016-4	Warranty sheet
14	1	AW-23836	Cable, 6', Coax
15	1	AW-24892	Cable, 7', Ethernet



**Hardware**

Item	Quantity	Part Number	Description
9	1	HS-21672	Screw, #8-32 x 1/2"
16	16	HS-22651	Bolt, 3/8-16 .75", BHCS, ZN
17	4	HS-16929	Bolt, Whiz Lock, 3/8-16 x .625", HXHD
18	2	FM-22778	Standoff, M-F, 3/8-16" Thread, Short
19	2	FM-22779	Standoff, M-F, 3/8-16" Thread, Long
20	1	HX-00440	Allen wrench, 7/32"
21	1	FS-23071	Bracket, Power Cord
22	4	HX-21519	Connector, Plastic




## ***Tools Required***

- Phillips screwdriver
- Long 3/8" drive socket extension
- 3/4" Open end wrench
- 7/32" Allen wrench (included)
- 9/16" Open end wrench
- 14 mm Open end wrench

## ***Assembly Procedure***

Two people will be required for this procedure.

 Read and understand all instructions thoroughly before assembling this unit. Check all items carefully. If there is damage, see the Customer Service section of this manual for proper procedure to return, replace, or reorder parts.

The words "left" and "right" denote the user's orientation.

Verify you have received the correct package

1. Read box label to verify the model number and voltage (optional) match what was ordered.
2. Verify paint color matches what was ordered.

### Lift and move the treadmill

#### **⚠️WARNING**

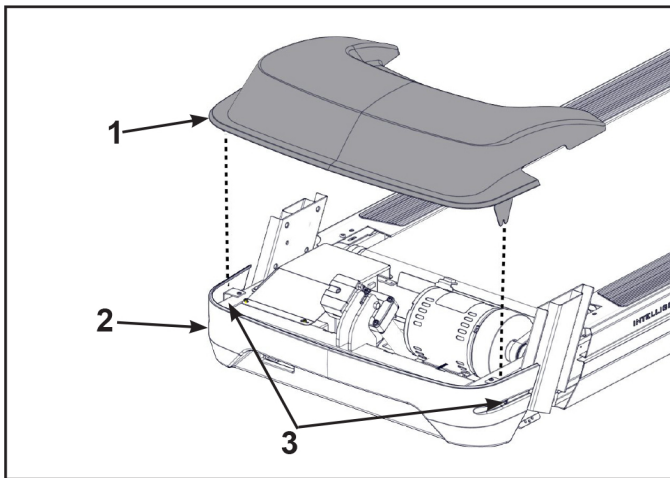
Heavy equipment.

- At least two people must lift, move or assemble unit.
- Use safe lifting methods.

1. Take note of doorway widths in facility before assembly. The base is 32.5" (83 cm) wide. With uprights installed the width is 35.6" (90.5 cm).
2. At least two people should lift and move the treadmill to a level location where you intend to leave it. Use proper lifting methods.

### Remove shield

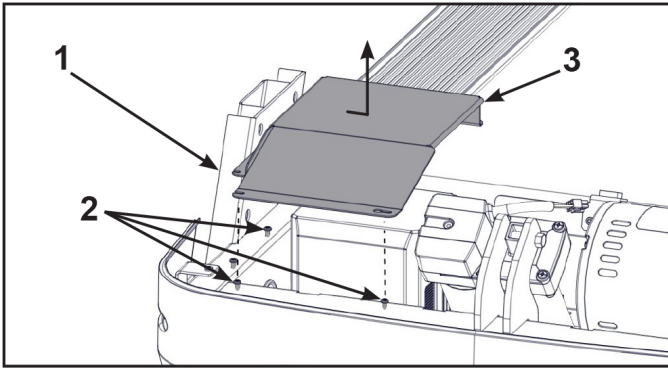
1. Loosen, but do not remove the two front cover screws securing the motor cover using a Phillips screwdriver.



	Description	Qty.
1	Motor cover	1
2	Front cover	1
3	Screws	2

2. Remove motor cover by lifting vertically.

- Loosen but do not remove the seven screws securing the shield to the base using a Phillips screwdriver.



	Description	Qty.
1	Base	1
2	Screws	7
3	Shield	1

- Remove shield by sliding sideways and then vertically off of base.

### Route power cord

Decide whether you will plug the power cord into a power outlet near the front of the treadmill or the back of the treadmill. Follow the corresponding routing procedure below. Do not plug the power cord into a power outlet at this time.

#### **⚠ WARNING**

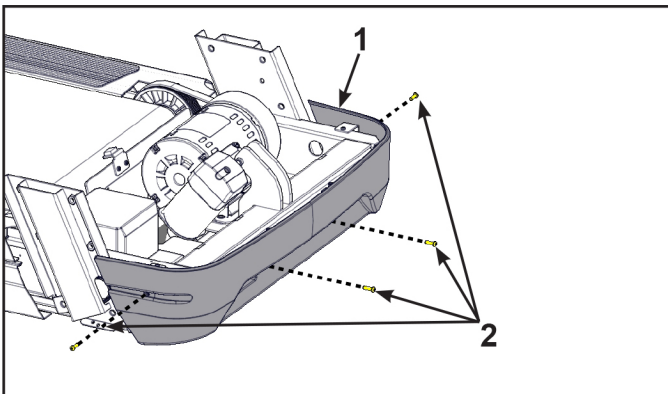
Shock and electrocution hazard.

- Route power cord so it does not become damaged.
- Do not allow cord to be pinched or interfere with movement of treadmill.

Front routing: Skip to [Install uprights](#) on page 22.

### Back routing:

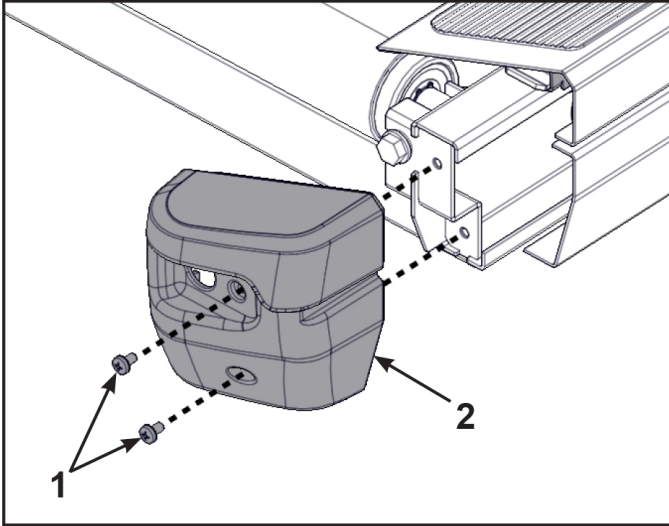
- Remove the four screws securing the front cover to the base using a Philips screwdriver.



	Description	Qty.
1	Front cover	1
2	Screws	4

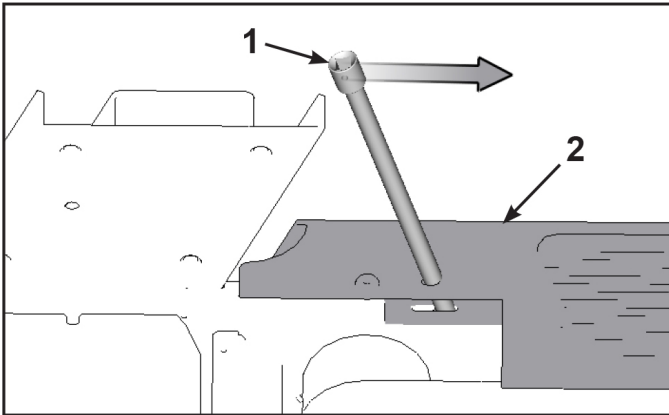
- Remove front cover.

3. Remove the two screws securing the right end cap using a Philips screwdriver.



	Description	Qty.
1	Screws	2
2	Right end cap	1

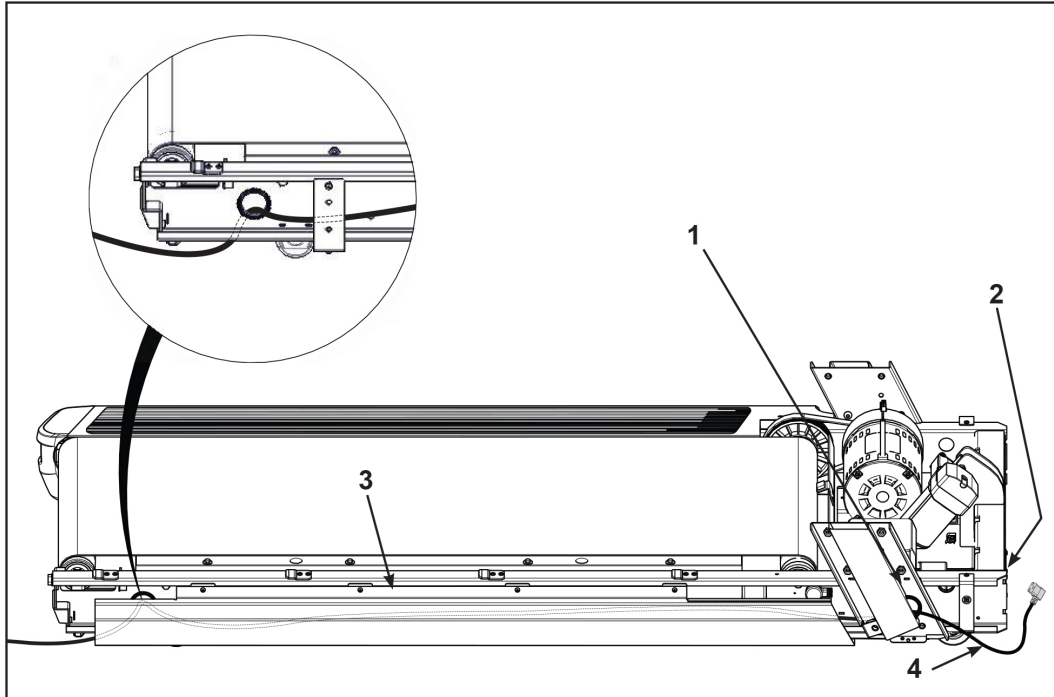
4. Remove the right top step by inserting a long 3/8" drive socket extension into the right top step and prying backwards.



	Description	Qty.
1	3/8" Drive Socket Extension	1
2	Right Top Step	1

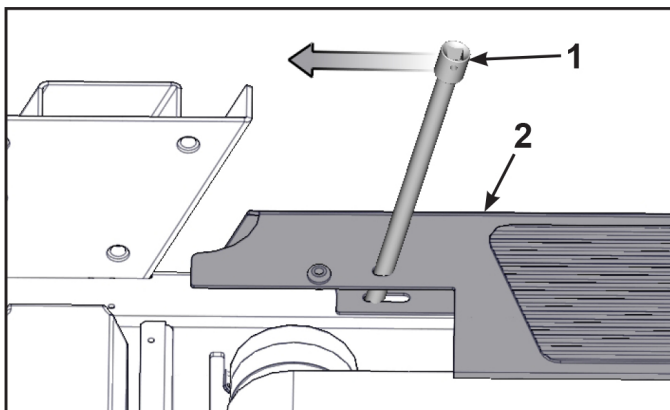
5. Remove the right top step.

6. Route the power cord through the hole in the upright support and behind the lower cover.



	Description	Qty.
1	Hole in Upright Support	1
2	Power Cord Inlet	1
3	Lower Cover	1
4	Power Cord	1

7. Adjust the power cord length entering the frame to allow for the power cord to be plugged into the power cord inlet. Do not plug the power cord in at this time.
8. Adjust the power cord length exiting the rear of the frame. Store extra power cord behind lower cover.
9. Install the right top step by placing in position and inserting a long 3/8" drive socket extension into the right top step.

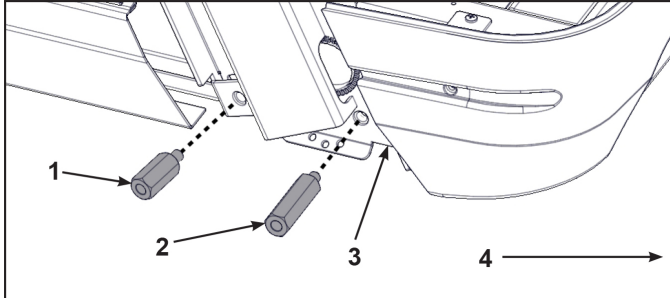


	Description	Qty.
1	3/8" Drive Socket Extension	1
2	Right Top Step	1

10. Pry the long 3/8" drive socket extension forwards to secure the right top step.
11. Using a Phillips screwdriver, install the two screws securing the right end cap.

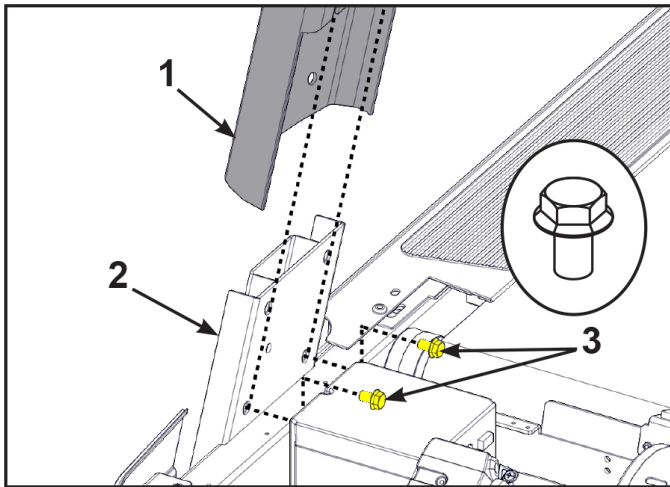
### Install uprights

1. Install the short and long standoffs to the right side of the base using a 3/4" open end wrench.



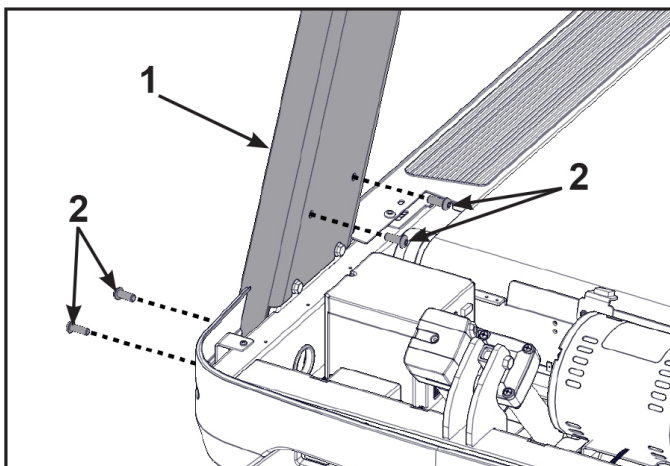
	Description	Qty.
1	Standoff, short	1
2	Standoff, long	1
3	Base	1
4	Front of unit	1

2. Thread two bolts into the base by hand. Do not fully thread bolts into the base.



	Description	Qty.
1	Upright (Right shown)	1
2	Base	1
3	Bolt, Whiz lock	2

3. Place the right upright onto the base assembly and the bolts installed in the previous step.
4. Thread four bolts into the right upright by hand.



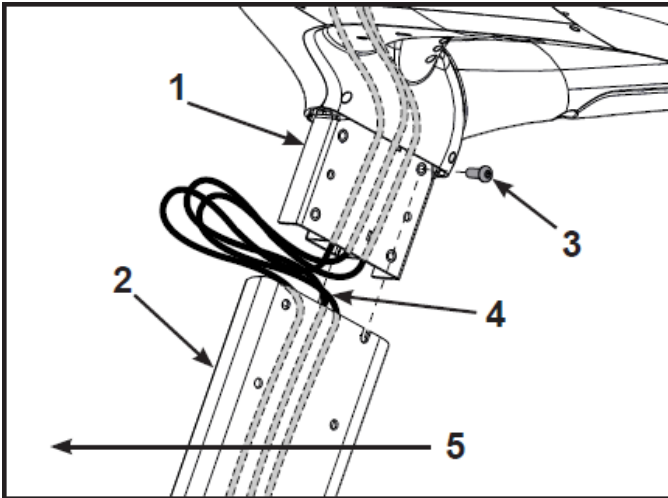
	Description	
1	Upright (Right shown)	1
2	Bolt	4

5. Repeat steps 1 through 4 for the left upright.

## Install console assembly to the uprights

If unit includes optional A/V or other cables, follow same display cable procedure.

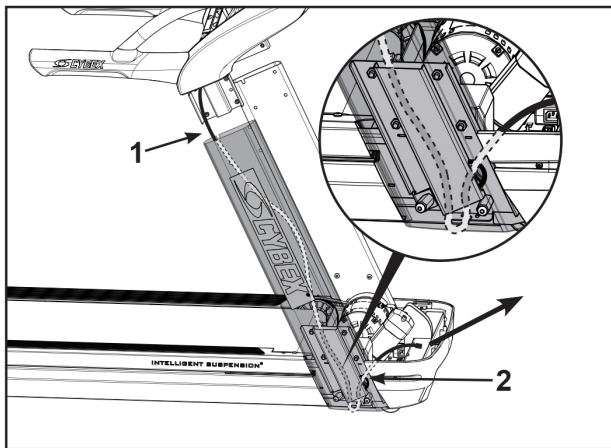
1. Thread one bolt, into the top back hole for each side of the console assembly by hand. Do not fully thread bolts into the console assembly.



	Description	Qty.
1	Console	1
2	Upright (Right shown)	1
3	Bolt	1
4	Display cable, coax cable, and ethernet cable	1
5	Front of unit	1

Do not pinch or damage display cable when installing console assembly.  
Two people are required for the following two steps.

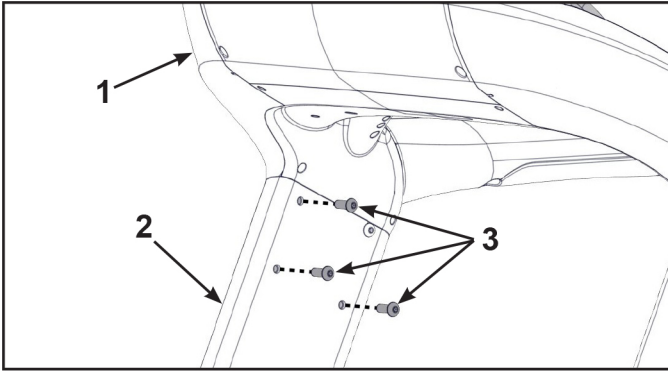
2. Insert the display cable into the top of the right upright until it exits the hole at the base of the right upright.



	Description	Qty.
1	Insert display cable here	1
2	Hole	1

3. Place the console assembly in position on the bolts installed in step 1 in the left and right uprights.

- Thread six bolts into the remaining holes of the right upright and left upright.



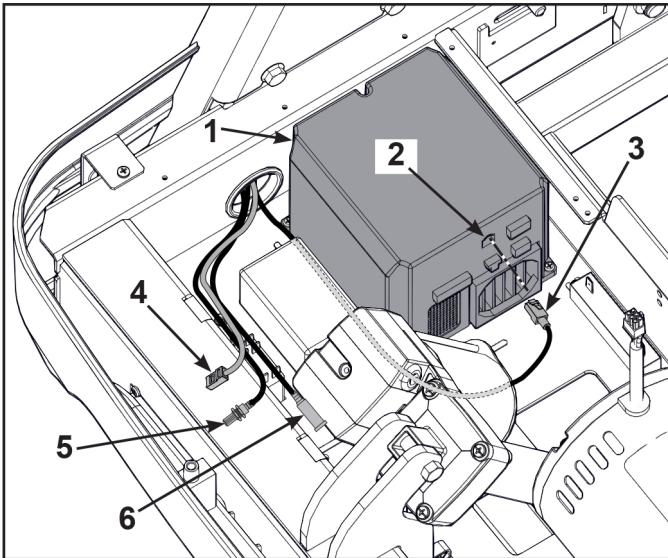
	Description	Qty.
1	Console	1
2	Upright (Right shown)	1
3	Bolt	3

- Tighten all of the bolts using a 7/32" Allen wrench and 9/16" open end wrench.

### Connect Display Cable

The display cable and CSAFE cable have the same connectors. The display cable is black, the CSAFE cable is red.

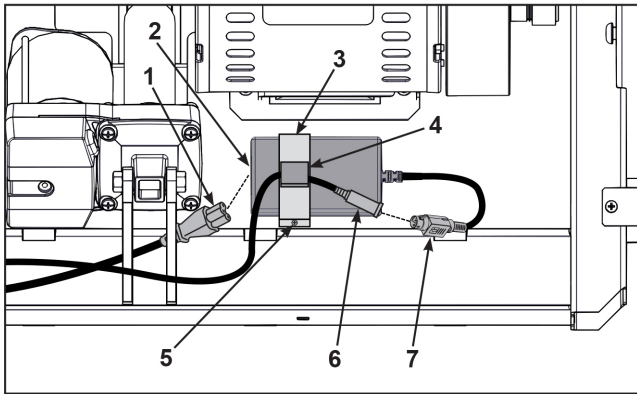
- Route the cables under all other cables and towards the base plate.
- Plug the display cable, located at the bottom of the upright assembly into the communication port of the controller.



	Description	Qty.
1	Controller	1
2	Communication port	1
3	Display cable, Black	1
4	CSAFE cable, Red (optional)	1
5	Coax cable (optional)	1
6	Power supply cable	1

### Install power supply

1. Install the power supply to the base using clamp and screw.

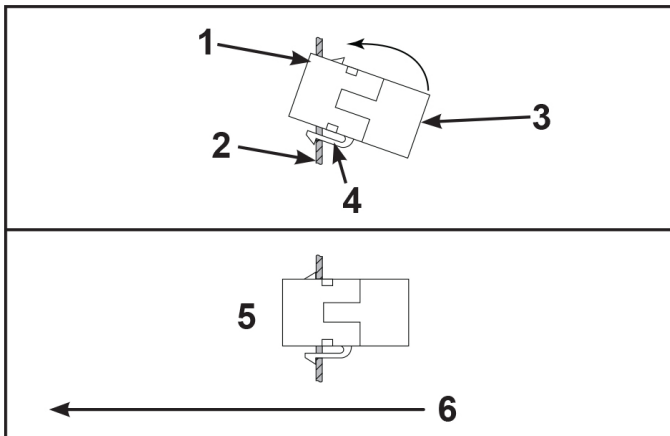


	Description	Qty.
1	AC Cord	1
2	Power Supply Inlet	1
3	Clamp	1
4	Gray Cable Clip	1
5	Screw	1
6	Console Cable DIN Connector	1
7	Power Supply Output	1

2. Plug the AC cord into the power supply inlet.
3. Route console cable through the gray cable clip.
4. Connect the console cable's DIN connector to the power supply output. Make sure the two connectors snap firmly together and can not be pulled apart without pulling the sleeve back to release it.

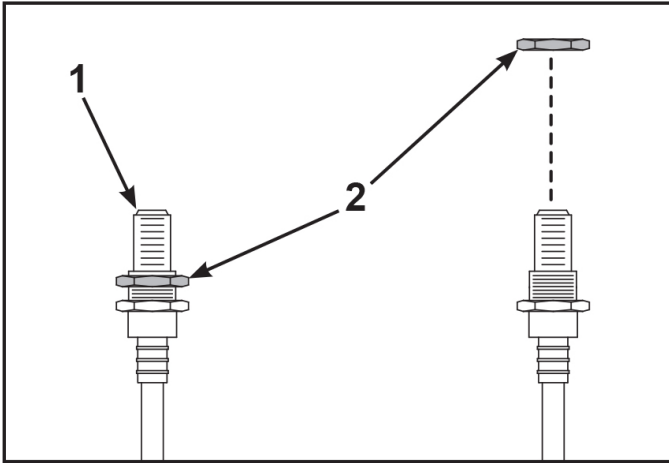
### Install coax and ethernet connectors

1. Insert the ethernet coupler into the mounting plate by hooking the lower tab into the mounting plate and snapping in the upper tab.



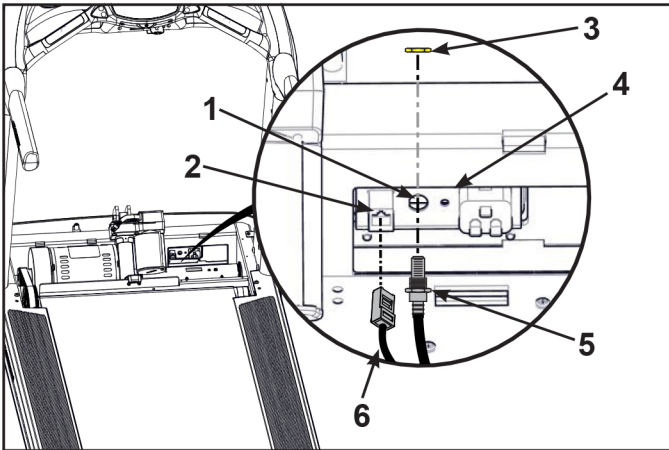
	Description	Qty.
1	Upper tab	1
2	Mounting plate	1
3	Ethernet coupler	1
4	Lower tab	1
5	Installed	1
6	Front of unit	1

2. Unthread the nut at the end of the coax cable.



	Description	Qty.
1	Coax cable	1
2	Nut	1

3. Insert the coax cable into the D-shaped hole in the mounting plate on the front of the unit.



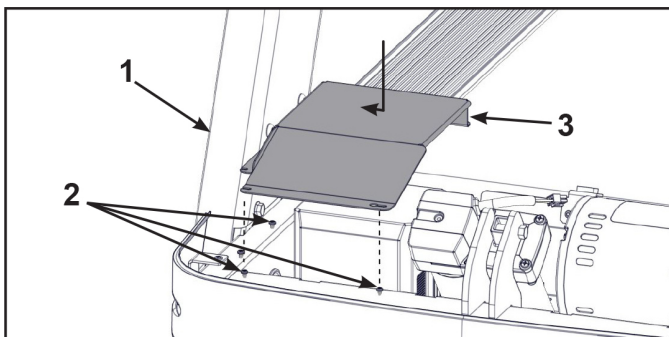
	Description	Qty.
1	Coax cable hole	1
2	Ethernet coupler	1
3	Nut	1
4	Mounting plate	1
5	Coax cable	1
6	Ethernet cable, metal connector	1

4. Thread the nut removed in step 2 onto the coax cable by hand.

5. Install the coax cable to the mounting plate on the front of the unit using a 14 mm open end wrench.

### Install shield

Tighten the seven screws securing the shield to the base using a Philips screwdriver.

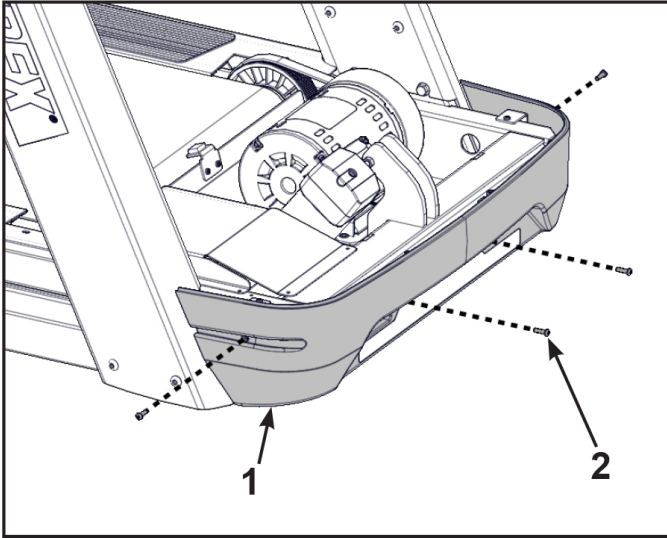


	Description	Qty.
1	Base	1
2	Screws	7
3	Shield	1

### Install front cover

Perform this step if you removed the front cover. If not, skip to next step.

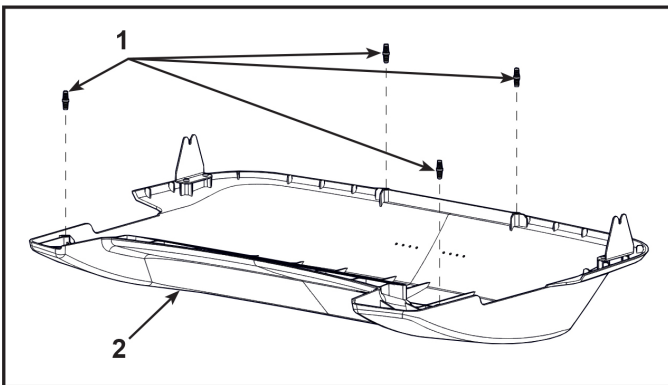
Install, but do not fully tighten the four screws securing the front cover to the base using a Philips screwdriver.



	Description	Qty.
1	Front cover	1
2	Screws	4

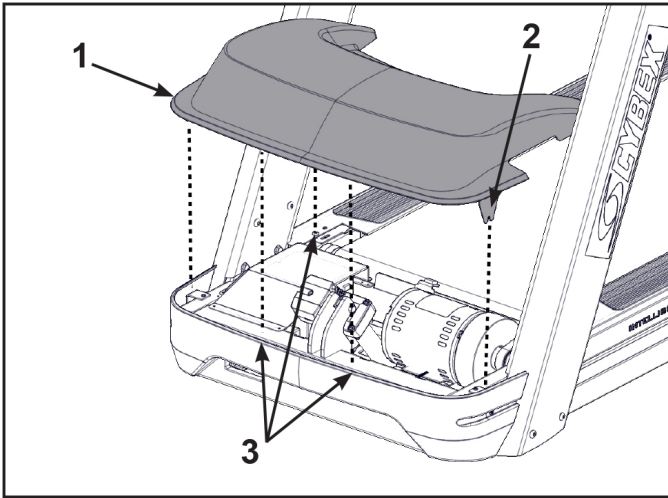
### Install motor cover

1. Place motor cover on carpeting or other soft surface. Do not scratch top of hood cover.
2. Insert the four plastic connectors into the motor cover.



	Description	Qty.
1	Plastic connectors	4
2	Motor cover	1

- Place the motor cover into position vertically by aligning the two tabs and four plastic connectors. Two plastic connectors are mounted in the front cover and two in the motor cover.



	Description	Qty.
1	Motor cover	1
2	Tabs	2
3	Plastic connectors	1

If motor cover top does not fit properly, loosen the side screws on the front cover as needed.

- Using a Phillips screwdriver, finish tightening the four front cover screws. Be sure the screws are securing the motor cover's tabs.

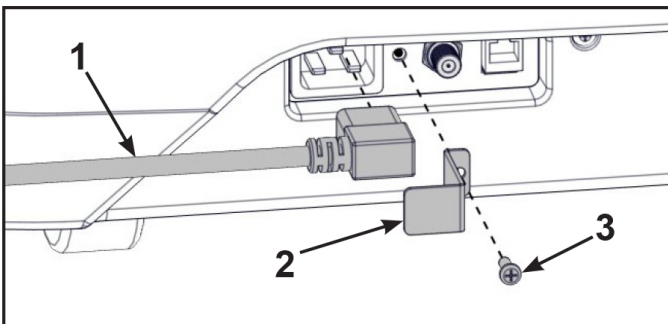
### Install power cord

#### **⚠ WARNING**

Shock and electrocution hazard.

- Route power cord so it does not become damaged.
- Do not allow cord to be pinched or interfere with movement of treadmill.

- Plug the power cord into the base of the unit.



	Description	Qty.
1	Power cord	1
2	Bracket	1
3	Screw	1

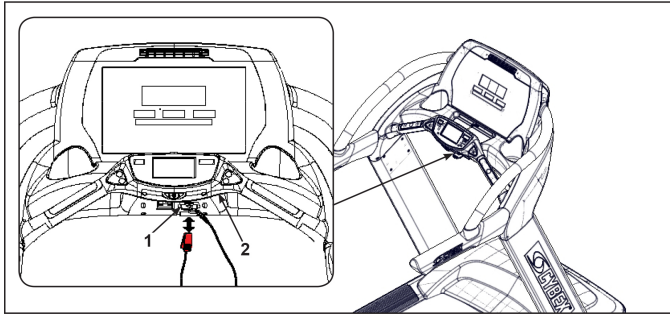
- Secure the power cord with the mounting bracket and mounting screw using a Phillips screwdriver.

### Level treadmill

Confirm that the treadmill is on a level surface.

### Install emergency stop key

Confirm that the emergency stop key is in place in the bottom of the console handrail. The treadmill will not run without the key in place.



	Description	Qty.
1	Emergency Stop Key	1
2	Console Handrail	1

When not in use store the e-stop clip on the storage tab located under the console handrail.

### Visually inspect unit

1. Remove any packing material from unit.
2. Examine the unit to ensure that the assembly is correct and complete.

### Power cord management

Power cord retaining brackets are located under the front end of the unit. This allows any extra length of the power cord to be stored under the front end of the unit.

#### Tools Required:

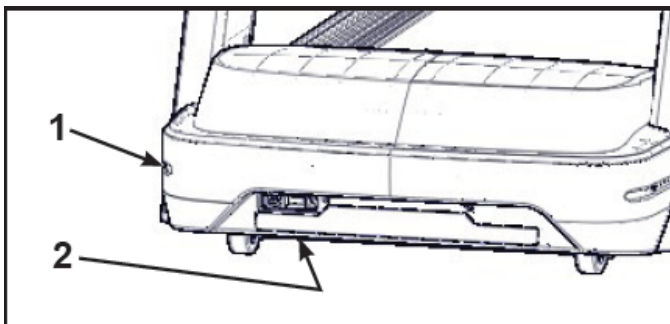
Wire tie (2)

#### **⚠️ WARNING**

Shock and electrocution hazard.

- Route power cord so it does not become damaged.
- Do not allow cord to be pinched or interfere with movement of treadmill.

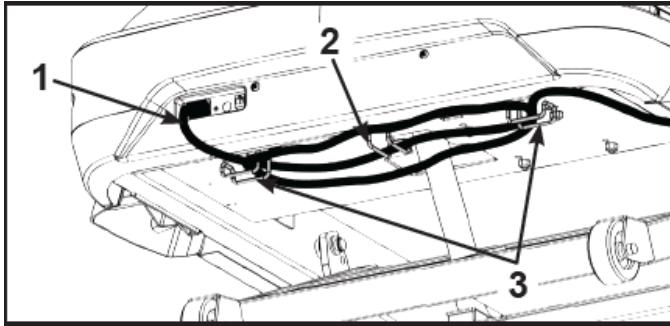
1. Connect the main power cord into the power outlet.
2. Press **Quick Start** and raise the elevation to maximum incline.
3. Toggle the on/off (I/O) power switch to the off (O) position. The on/off (I/O) power switch is located under the front end of the unit, or on the front right side panel.



	Description	Qty.
1	Front right side panel location	1
2	Under the front end location	1

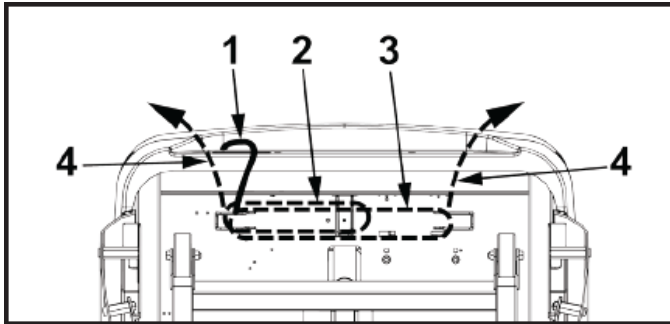
4. Unplug the main power cord from the power outlet.

5. Wrap the power cord around the outer power cord retaining brackets to desired length.



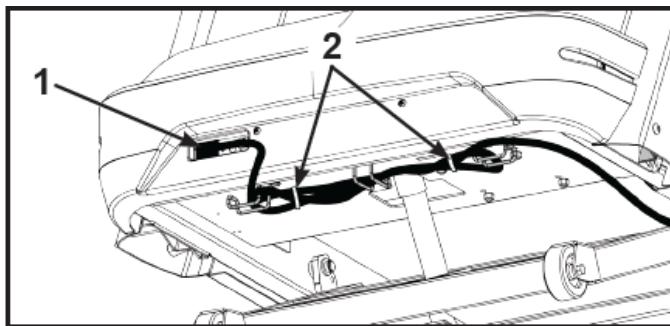
	Description	Qty.
1	Power cord	1
2	Power cord retaining bracket, Inner	1
3	Power cord retaining brackets, Outer	2

The power cord can be routed with full or half wraps around power cord retaining brackets. The power cord can then exit to the left or right of the treadmill.



	Description	Qty.
1	Power cord	1
2	Half wrap	1
3	Full wrap	1
4	Exit left or right	1

6. Plug the main power cord into the power outlet.  
 7. Toggle the on/off (I/O) power switch to the on (I) position.  
 8. Press **Quick Start** and operate the elevation through full incline. If power cord is too short or interferes with the movement of the treadmill, change the wrap of the power cord.  
 9. Secure the power cord with two wire ties.



	Description	Qty.
1	Power cord	1
2	Wire tie	2

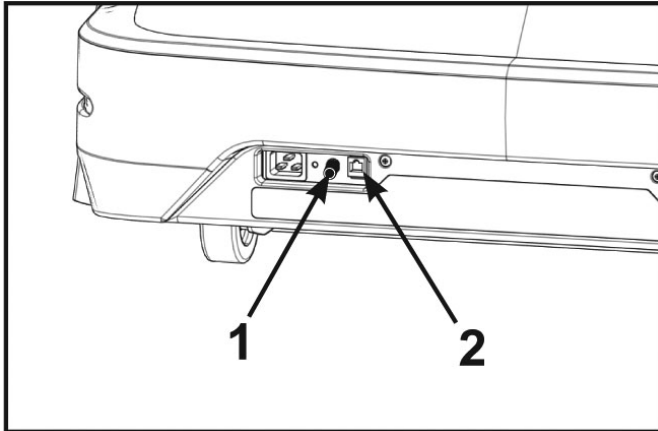
## Cybex GO Setup

### Prerequisites:

- Coax cable with TV signal
- Netpulse Gateway installed and running, providing the connection via:
  - **Wired (Ethernet)** – Ethernet cable is connected to the Cybex equipment through a network switch to the Gateway
  - **Wireless** – Gateway has been installed in the facility using a unique wireless access point. Cybex GO Monitor will not connect to any other routers in the area.

- Power to the Cybex Equipment.

1. Install 6' coax cable to the coax cable connector in base of unit.



	Description	Qty.
1	Coax cable connector	1
2	Ethernet coupler	1

2. Install ethernet cable to ethernet coupler in base of unit.

### Turn power on

#### **WARNING**

Falling hazard. When starting unit

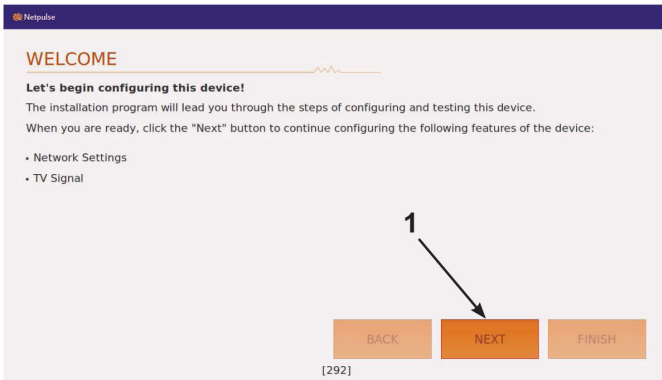
- Stand on two top steps.
- Do not stand on belt.

1. Without anyone on the treadmill, plug the power cord into a power outlet from a grounded, dedicated circuit as described under Electrical Requirements in this chapter. Ensure the power cord is not being pinched under the front of the treadmill.
2. Toggle the on/off (I/O) power switch to the on position (I). The on/off (I/O) power switch is located under the front end of the unit, or on the front right side panel.
3. The control panel will light up.

## Cybex GO installer

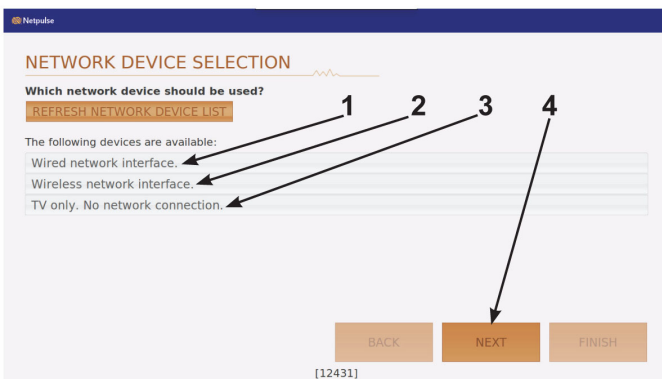
The Cybex GO installer only occurs during the initial installation of the unit. Once complete, refer to Initial setup.

1. Tap **NEXT** to begin configuration.



	Description
1	NEXT

2. Select one of the three network devices.
  - Wired network interface.
  - Wireless network interface.
  - TV only. No network connection.



	Description
1	Wired network interface
2	Wireless network interface
3	TV only. No network connection
4	NEXT

Follow the procedure for the network device selected.

### Wired network interface

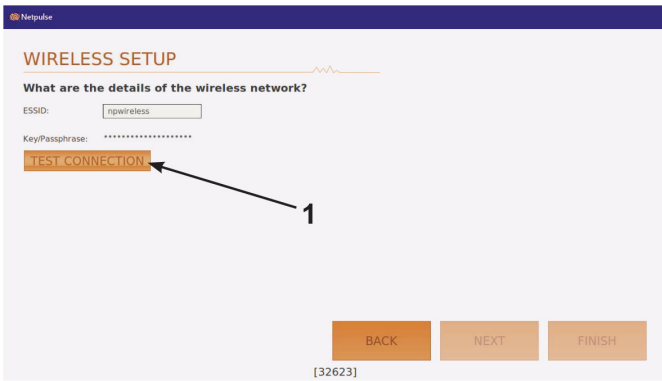
1. Tap **Wired network interface**.
2. Tap **NEXT** to confirm selection.
3. Go to *Test network*.

### Wireless network interface

1. Tap **Wireless network interface**.
2. Tap **NEXT** to confirm selection.

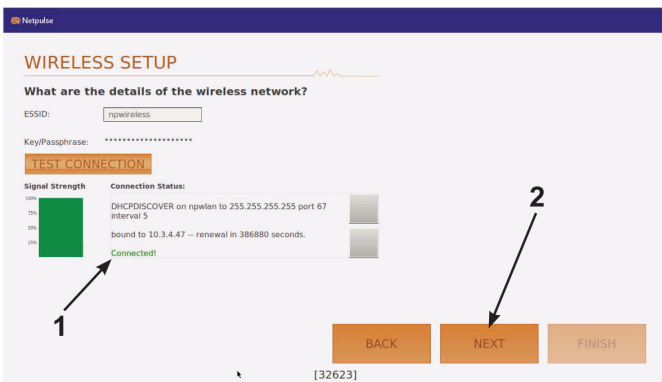
**3. Tap TEST CONNECTION.**

This may take up to five minutes to complete. If test fails, retry.



	Description
1	TEST CONNECTION

**4. Tap NEXT after test passes and displays Connected!.**



	Description
1	Connected!
2	NEXT

**5. Tap OK after alert window displays Wireless network configured!.**

**6. Go to Test network.**

**TV only**

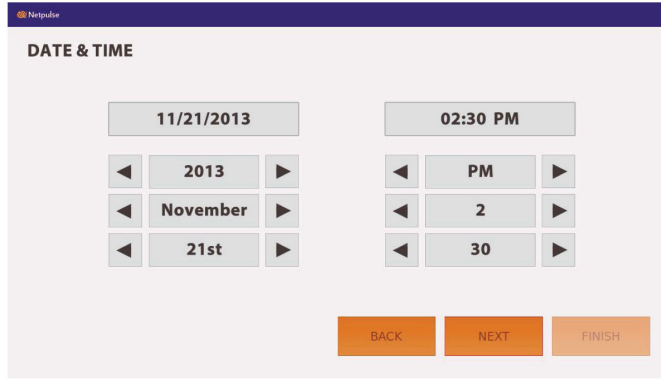
**1. Tap TV only. No network connection.**

**2. Select Default Country.**



**3. Tap OK**

4. Set **Date and Time**.

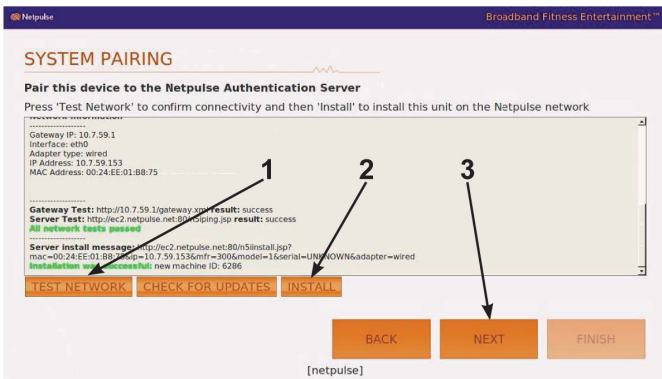


5. Tap **NEXT**.

6. Go to *Channel configuration*.

**Test network**

1. Tap **TEST NETWORK**.



	Description
1	<b>TEST NETWORK</b>
2	<b>INSTALL</b>
3	<b>NEXT</b>

2. When network test passes, tap **INSTALL**.

If network test fails, check the network connections and retry.

3. Tap **NEXT**.

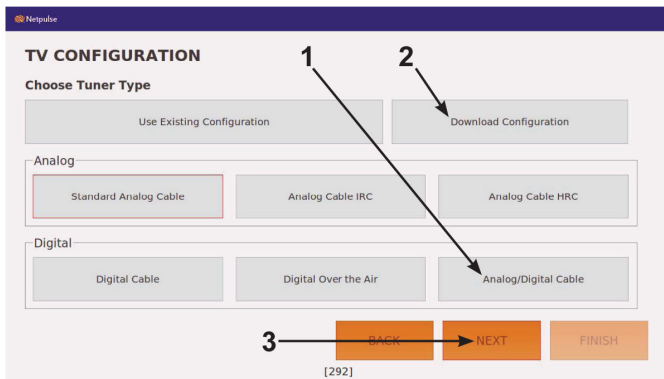
## TV configuration

The TV configuration only needs to be performed on the first unit installed. Configure the first unit completely, save the configuration, then assemble and configure all other units.

### 1. Select **Analog/Digital Cable** and tap **NEXT**.

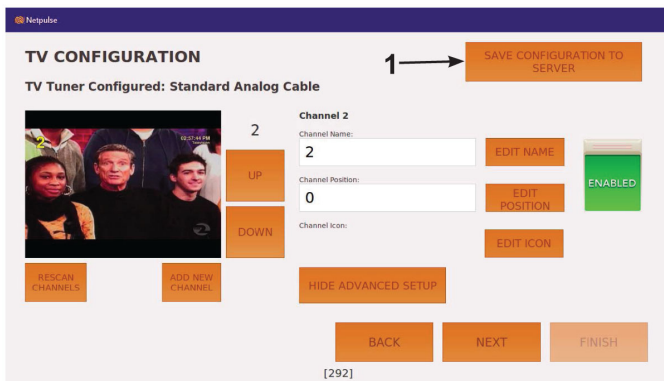
This will scan for all available channels. The scan can take 20 minutes to complete.

If scan was previously configured and stored, choose **Download Configuration** and tap **NEXT** to configure other units. Go to *Test Cybox GO Monitor*.



	Description
1	Analog/Digital Cable
2	Download Configuration
3	NEXT

### 2. Tap **SAVE CONFIGURATION TO SERVER**.

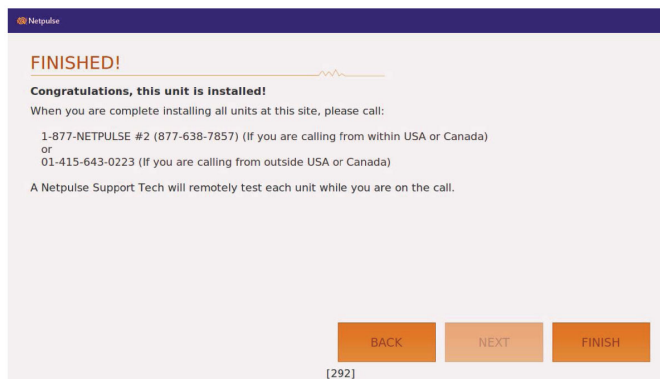


	Description
1	SAVE CONFIGURATION TO SERVER

To configure each of the channels see *Channel configuration*.

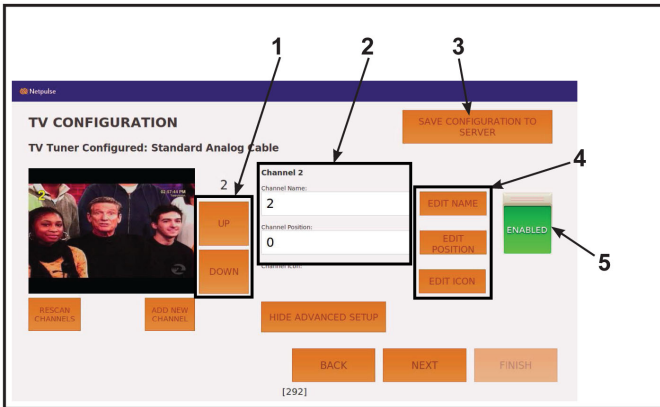
### 3. Tap **FINISH** to complete installation.

Cybox GO monitor will reset. Do not call Netpulse.



## Channel configuration

Each channels name, position, and icon can be edited. Channels not needed or channels with poor signals can be disabled.

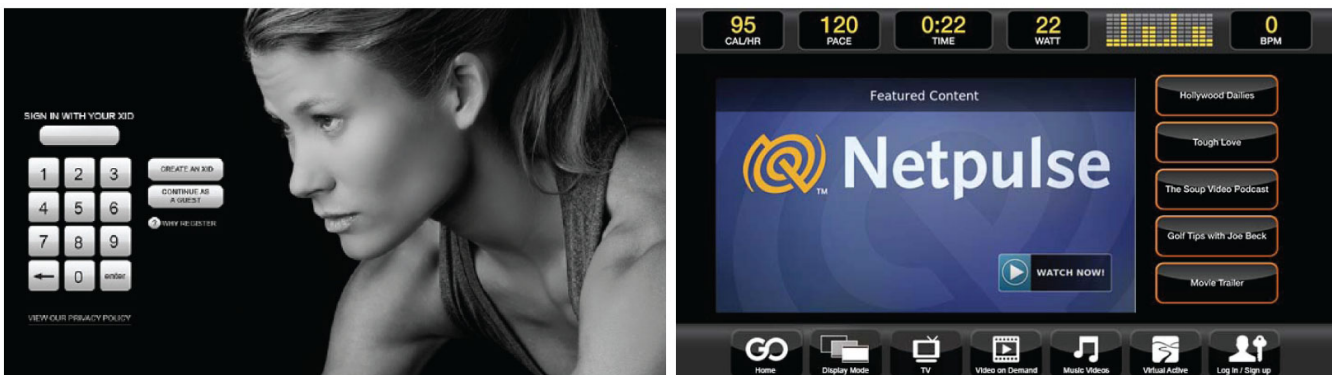


	Description
1	Channel <b>Up</b> /Channel <b>Down</b>
2	<b>Channel Name</b> and <b>Channel Position</b> number
3	<b>SAVE CONFIGURATION TO SERVER</b>
4	<b>EDIT NAME</b> , <b>EDIT POSITION</b> , and <b>EDIT ICON</b>
5	Channel <b>ENABLED</b> or <b>DISABLED</b>

1. Tap **SHOW ADVANCED SETUP**, if edit icons are not visible.
2. Tap the **Channel Up** or **Channel Down** icons to select channel to edit.
3. Tap **EDIT NAME**.  
A keyboard is displayed to edit the channel name. Tap **SAVE** when done.
4. Tap **EDIT POSITION**.  
A keypad is displayed to edit the channel position. Tap **SAVE** when done.
5. Tap **EDIT ICON**.  
Icons are displayed to edit the channels icon. Tap **SAVE** when done.
6. Tap the **ENABLED** or **DISABLED** icon to toggle the viewing of each channel.  
The channel configuration only needs to be performed on the first unit installed. Configure the first unit completely, save the configuration, then assemble and configure all other units.

## Test Cybox GO monitor



Test Cybox GO monitor by tapping **CONTINUE AS GUEST** at home screen. Select from **TV** or **Videos** to test Cybox GO monitor










## Equipment Setup

### Initial setup

Initial setup only occurs during the installation of the unit. Once complete, refer to Setup Options below.

	<b>CYBEX LOGO</b>	Press and hold Cybex logo for 6 seconds to access <b>Screen Lock</b> and <b>Toolbox</b> .
	<b>LANGUAGE ICON</b>	Press and hold language logo for 6 seconds to access <b>Screen Lock</b> and <b>Toolbox</b> .


1. Tap the **Access Toolbox** icon to display the **Access to Toolbox** login screen.
2. Enter the sequence:     .
3. Tap the **Setup** icon to display the **Setup menu**.
4. Tap the **Time** icon to advance to the **Set the Time** screen.
5. Adjust the time if needed, then tap the **ENTER** icon .
6. Tap the **Date** icon to advance to the **Set the Date** screen.
7. Adjust the date if needed, then tap the **ENTER** icon .
8. Tap the **Units & Power** icon to select the **Set units preference** screen.
9. Select the unit preferences from the following options:  
Record your actual line voltage here. Line frequency is usually specific to your country or location.


Distance Units	Weight Units	Line Frequency	Line Voltage
Miles	Lbs.	50 Hz	110v
Km	Kg	60 Hz	115v
	Stone		208v
			220v
			230v





10. Exit Set Up Mode by tapping the **Toolbox**  icon, then tap the **Home** icon . The screen will refresh.

### Setup options - Cybex GO Monitor

Enter setup options.

	<b>CYBEX LOGO</b>	Press and hold Cybex logo for 6 seconds to access <b>Screen Lock</b> and <b>Toolbox</b> .
---	-------------------	---



	<b>LANGUAGE ICON</b>	Press and hold language logo for 6 seconds to access <b>Screen Lock</b> and <b>Toolbox</b> .
--	----------------------	--

1. Tap the **Access Toolbox** icon to display the **Access to Toolbox** login screen.
2. Enter the sequence:     .
3. Tap the **Setup** icon to display the **Setup menu**.

### Setup menu

<b>Units</b>	Select distance units. <b>Miles</b> or <b>Km</b> (Kilometers). Select weight units. <b>Lbs.</b> (Pounds), <b>Kg.</b> (Kilograms) or <b>Stone</b> (Stones).
<b>A/V Config</b>	Perform Touch Calibration, Network Setup, or Channel Setup. See <i>A/V Configuration</i> .
<b>Workout times</b>	Set Default and Max workout times. Default choices are 20, 30, or 60 minutes. Max choices are 20, 30, 60, or OFF.
<b>Limits</b>	Set Min Speed, Max Speed, and Max Incline.
<b>Pause</b>	Set Pause time. Choices are OFF, 0:30, 1:00, or 2:00 minutes.
<b>Sound</b>	Select console beeper settings. Choices are ON, Some, or OFF. Selecting Some enables beeper for safety related notifications, such as Entering Active, Exiting Active, and Cool Down.
<b>Language</b>	Select default language to display on CardioTouch screen. Toolbox is only available in English. Include Optional Languages. Select optional languages to display on CardioTouch screen. Choices are <b>Include</b> or <b>Off</b> .

### Exit Set Up Mode

Exit Set Up Mode by tapping the **Toolbox**  icon, then tap the **Home** icon . The screen will refresh.

### Testing Operation

Use the following instructions to test the full speed and incline range of the treadmill and to check the belt for proper operation.

**⚠ WARNING**

Falling hazard. When starting unit

- Stand on two top steps.
- Do not stand on belt.

1. Plug the power cord into a power outlet from a grounded, dedicated circuit without anyone on the treadmill.  
Ensure the power cord is not being pinched under the front of the treadmill.
2. Toggle the on/off (I/O) power switch to the on position (I). The on/off (I/O) power switch is located under the front end of the unit, or on the front right side panel.
3. Press the **Quick Start** key.  
The treadmill begins a countdown **3...2...1** and sounds a tone for each count. After it reaches one (1), the treadmill gives a longer tone and then begins accelerating the belt to reach 0.5 mph (0.8 kph). The lower left display will show the incline and the lower right display will show the actual speed.
4. Press and hold down the **Speed +** key until the treadmill reaches a speed of approximately 4 mph (6.4 kph), as indicated on the display.
5. Observe the belt to see that it is running properly; it should stay centered in the middle of the deck. If you have problems with the running belt operation, see Running Belt Adjustments in the Maintenance chapter.
6. Run the treadmill through its full speed range.
  - a) First press the **Speed +** key until the treadmill reaches its highest speed.
  - b) Then press the **Speed -** key until the treadmill is back to 0.5 mph (0.8 kph).  
Pressing the Incline **▲ ▼** or **Speed + -** keys will show the set incline or speed on the displays. When the treadmill reaches the set incline and speed, the displays will remain steadily illuminated to indicate that the desired settings have been reached.
7. Run the treadmill through its full % grade range.
  - a) Press the **Incline ▲** key until the treadmill reaches its highest grade.
  - b) Then press the **Incline ▼** key until the treadmill reaches 0% grade.
8. Press the **STOP** key once to stop the running belt and enter **Review Mode**.
9. Press the **STOP** key again to exit **Review Mode** and return the display to the opening screen.

# Operation

## Intended Use

The intended commercial use of this machine is to aid exercise and improve general physical fitness.


## Terms Used










This section lists some of the common terms and symbols used in this chapter. Other terms and symbols are listed in this chapter as appropriate.

- Active Mode** Active Mode is when the running belt is moving. Before Active Mode begins, a three second countdown and **3...2...1** is displayed. Active Mode continues until the preset time limit is reached, the e-stop key is pulled out or the **STOP** key is pressed.
- CardioTouch Screen** The CardioTouch Screen is the touch screen located in the handset area.
- Cool Down** A reduction of work load for a short duration allows user to gently reduce heart rate. Cool Down occurs two minutes prior to completion of the workout-controlled workout sessions.
- Dormant Mode** Occurs when unit is plugged in and not in use.
- Manual Mode** In this active mode the user sets a goal for Time. The user controls speed and incline. Manual Mode continues until the goal is reached. Manual Mode is only available during Active Mode.
- Pause Mode** Occurs only if the Pause feature is enabled and user selects the **STOP** key from Active Mode.
- Quick Start** This begins by tapping the **Quick Start** icon. User has full control over the workout as time counts up.
- Workout Review** Review of the accumulated workout data will happen at the end of each workout session.

## User Control Symbols Used
















Control	Control Name	Description
	<b>INCLINE UP</b>	Adjust <b>Incline</b> up.






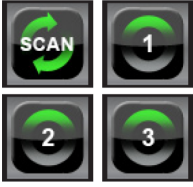


Control	Control Name	Description
	<b>INCLINE DOWN</b>	Adjust <b>Incline</b> down.
	<b>SPEED UP</b>	Adjust <b>Speed</b> up.
	<b>SPEED DOWN</b>	Adjust <b>Speed</b> down.
	<b>VOLUME UP</b>	Adjust <b>Volume</b> up.
	<b>VOLUME DOWN</b>	Adjust <b>Volume</b> down.
	<b>CHANNEL/TRACK CONTROL</b>	iPod - <b>NEXT</b> track A/V - Channel <b>UP</b>
	<b>CHANNEL/TRACK CONTROL</b>	iPod - <b>PREVIOUS</b> track A/V - Channel <b>DOWN</b>
	<b>STOP</b>	Press <b>STOP</b> once to end the workout session and start the <i>Workout Review</i> . Press <b>STOP</b> again to exit to <i>Dormant Mode</i> .
	<b>FAN</b>	Default speed is <b>OFF</b> during active mode. Press the <b>FAN</b> key to control fan speed. Choices are OFF, LOW and HI.

**CardioTouch Symbols Used**



Icon	Icon Name	Description
	<b>Quick Start</b>	<b>Quick Start</b> enters <b>Active Mode</b> at the default settings with time counting up from 0:00.

Icon	Icon Name	Description
	<b>WORKOUTS</b>	Tap <b>Workouts</b> icon to enter workout group selection.
	<b>TV</b>	Tap <b>TV</b> icon to enter TV control menu. If TV is not connected, icon will not be shown.
	<b>TV + FM</b>	Tap <b>TV + FM</b> icon to enter TV + FM control menu. If TV + FM is not connected, icon will not be shown.
	<b>iPod</b>	Tap <b>iPod</b> icon to enter iPod/iPhone control menu. If iPod/iPhone is not connected, icon will be grayed out.
	<b>HOME</b>	Return to opening screen.
	<b>START</b>	Enter <b>Active Mode</b> .
	<b>PAUSE</b>	If pause feature is enabled, pause icon is shown. Press <b>Pause</b> icon once to enter pause mode.
	<b>STOP</b>	If pause feature is disabled, stop icon is shown. Press <b>Stop</b> icon or <b>STOP</b> button once to enter <b>Workout review</b> .
	<b>BACK</b>	Return to previous or opening screen.
	<b>UP LEVEL</b>	Go up one level.
	<b>SHIFT LEFT</b>	Shift the screen left to view more options.
	<b>SHIFT RIGHT</b>	Shift the screen right to view more options.

Icon	Icon Name	Description
	KEYPAD	Numeric keypad for entering data.
	ENTER	Accepts the value shown.
	CLEAR	Clear any values selected.
	INFO	Select to provide more information and details.
	SCALE	Displays current value in the minimum and maximum range.
	SCAN	This icon defaults to SCAN, which displays the workout info on the upper display, changing every 5 seconds. Tap the <b>SCAN</b> icon to display different data sets. Tap again to change the data set, or multiple times to get back to SCAN.
	CYBEX LOGO	Press and hold Cybex logo for 6 seconds to access <b>Screen Lock</b> and <b>Toolbox</b> .
	LANGUAGE ICON	Press and hold language logo for 6 seconds to access <b>Screen Lock</b> and <b>Toolbox</b> .

## CardioTouch Screen and User Controls



1	Incline keys	6	Volume Keys
2	Incline display	7	<b>STOP</b> Key
3	<b>CardioTouch</b> screen	8	Fan Key
4	Speed display	9	Channel/Track Keys
5	Speed Keys		



**CardioTouch Screen — Tap the icons to make selections.**

### Changing Speed

Press the **Speed+** - keys to change the speed in increments of 0.1 mph or 0.1 kph. Minimum to maximum speed is from 0.5 - 12.4 mph (0.8 - 20 kph).

### Changing Incline

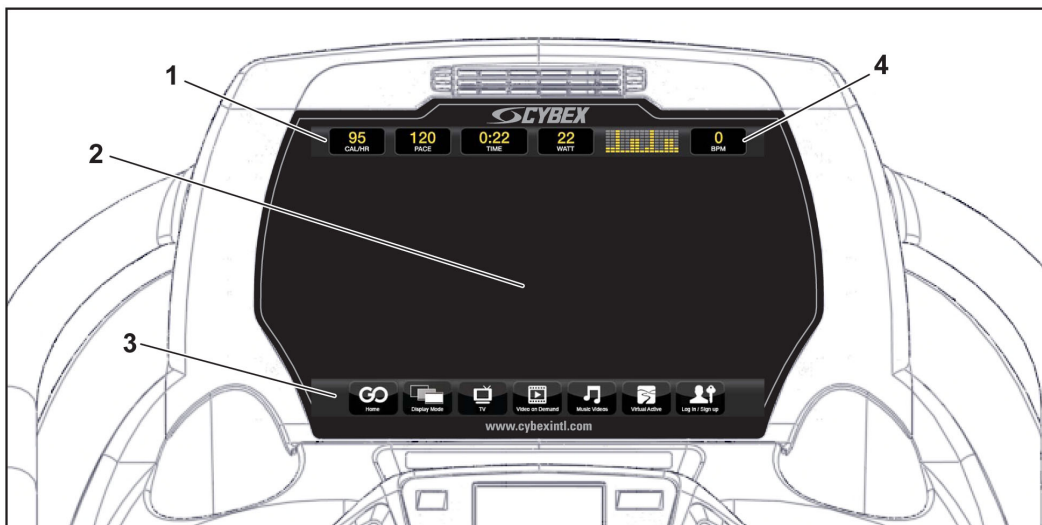
Press the **Incline** keys to change the elevation in increments of ½% increments up to 10%, then 1% up to 15%. Press multiple times to change incline setting or hold the key to auto-repeat. Elevation is defined as the ratio of rise or fall over run of the treadmill deck.

### Changing between active mode or workouts

You can make changes during your workout. Press **WORKOUTS** to select another workout, **Manual** to select Manual Mode, or **Goal** to change your Time, Distance, or Calorie Goal. Follow screen prompts to begin the new workout.

## Cybex GO Console and User Controls

### Cybex GO Console












1	Data bar	Displays messages and workout data.
2	Video display area	Displays video, data, or blank.
3	Menu bar	Menu icons for Cybex GO options.
4	Heart rate indicator	Display heart rate and multi color indicator.

### Data bar

Tap data icons to toggle the data displayed. TIME and BPM do not toggle. See *Heart rate indicator* for more information about BPM (Beats Per Minute).

DISTANCE	CALORIES	TIME	MET	Graph or message	BPM
CAL/HR	PACE		WATT		

**Menu bar**

Icon	Icon Name	Description
	<b>Home</b>	Main landing page with content tailored to each user.
	<b>Display Mode</b>	Tap Display Mode icon to toggle between 4 display modes: <ul style="list-style-type: none"> <li>• <b>TV + Data</b>- Display video with data at top of screen</li> <li>• <b>TV Only</b>- Display video only, no data</li> <li>• <b>Data Only</b>- Display data only, no video</li> <li>• <b>Blank</b>- Screen is blank, video and data are not displayed</li> </ul>
	<b>Browser</b>	Select from available website links.
	<b>TV</b>	Select from available TV channels. Channels available are based on the local cable TV provider.
	<b>Video on Demand</b>	Watch videos on demand. Various content categories (TV Shows, Movie Trailers, Classic TV, etc) are grouped into channels.
	<b>Music Videos</b>	Watch available music videos. Playlists are organized by music genre. Create your own playlist.
	<b>Virtual Active</b>	The Virtual Active attraction features videos, shot from first person perspective, through beautiful landscapes, cityscapes and events from around the world.
	<b>Log in/Sign up</b>	Sign up as a new user or login with existing account.
	<b>History</b>	Review workout history if logged in.

**Cybex GO Console Log In or Sign Up**

XID is a universal network that allows you to log into connected fitness equipment.

An XID account allows you to:

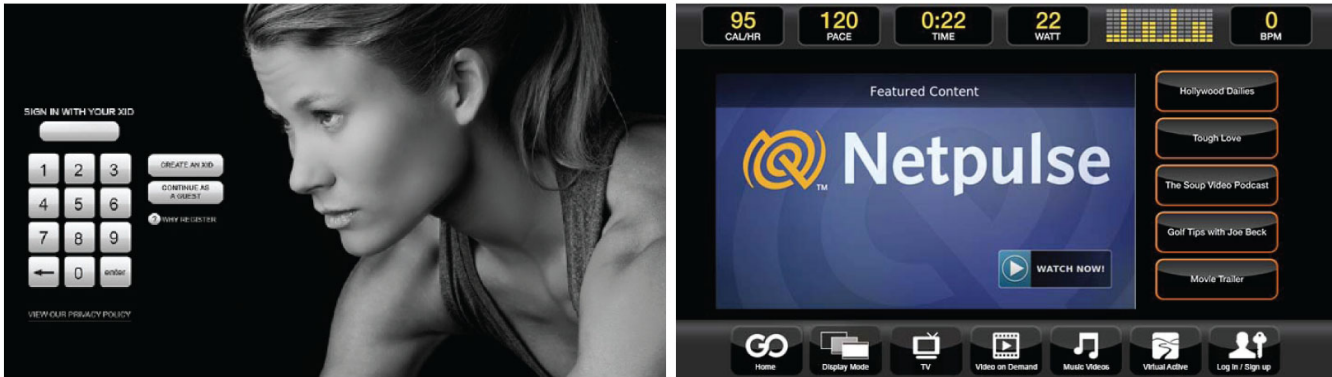
- Create playlists for your favorite audio and video tracks
- Track your workouts
- Join in group challenges

At the opening screen there are three options available.

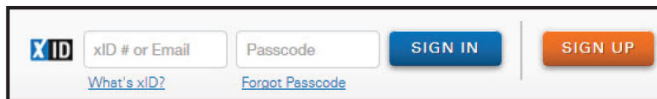
<b>Sign-in with XID</b>	Enter an existing XID account number.
<b>CREATE ACCOUNT</b>	Create a new XID account.

**CONTINUE AS GUEST**

Skip the log in process. Some functions will be limited.



1. Visit [one.netpulse.com](http://one.netpulse.com).
2. To create an account, click **Sign Up**.
3. Select your club from the dropdown list.
4. To Sign In, enter your XID number and passcode.



5. If your club has their own custom URL, log into *ClubName.netpulse.com*.

## Quick Operation Guide

The following is a quick overview of the operation. For more information see *Detailed Operation Guide*. Maximum user weight is 400 lbs. (181 kg).

### **⚠ WARNING**

Falling hazard. When starting unit

- Stand on two top steps.
- Do not stand on belt.

1. Place your feet on the two top steps located on each side of the running belt.
2. Clip the e-stop clip onto your clothing and test it as described under *Emergency Stop* in the *Safety* chapter.

3. Tap **Quick Start** on the **CardioTouch** screen.



The treadmill begins a countdown, 3...2...1, after which it accelerates the belt to 0.5 mph (0.8 kph) and enters Active Mode.



4. Hold the handrails while you step onto the running belt and begin walking.
5. Press the **Speed+** - keys to change the belt speed at any time. The right display will show speed.
6. Press the **Incline** ▲ ▼ keys to change the incline at any time. The left display will show incline.
7. Press the **STOP** key at any time to stop the running belt. **Workout Review** is displayed and the incline returns to 0%.

## ***Detailed Operation Guide***

---

Maximum user weight is 400 lbs. (181 kg).

### **▲ WARNING**

Falling hazard. When starting unit

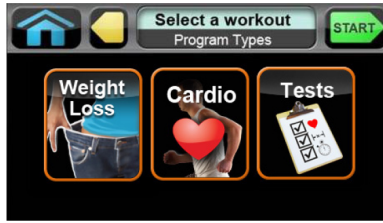
- Stand on two top steps.
- Do not stand on belt.

1. Place your feet on the two top steps located on each side of the running belt.
2. Clip the e-stop clip onto your clothing and test it as described under *Emergency Stop* in the *Safety* chapter.

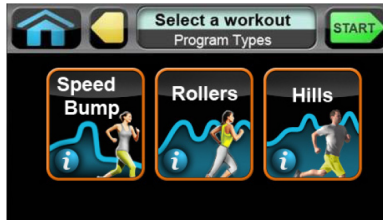
See Emergency Stop Key (e-stop) in the Safety Chapter for properly testing the e-stop key. Also, see Stopping the Treadmill in this chapter for further information about the e-stop key. Be sure the string is free of knots and has enough slack for you to run comfortably with the e-stop key in place.

3. Select **QUICK START** or **WORKOUTS**.

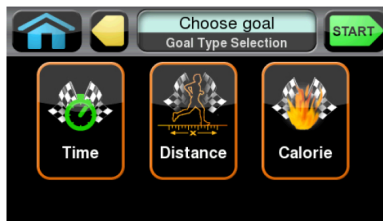
To select a workout category, tap one of the workout category icons from the workout options screen.



To select a workout, tap one of the workout icons from the workouts screen.



Upon entering a workout the display will guide you through the appropriate settings. This is referred to as Workout Setup Mode. If the **Start** key is pressed now, all defaults for that workout will be accepted. After 10 seconds, if no key has been pressed, the first default will be accepted. After another 10 seconds the second default will be accepted and so on until the last default.



For the most accurate resistance and calorie count, you must set your correct weight before beginning your workout (including clothing).

When selecting a workout you must tap the **Enter** icon after each adjustment of *Time*, *Level* or *Weight*.

4. Press the **Start** key.

The treadmill begins a countdown, 3...2...1 and sounds a tone for each count. When it reaches one (1) the treadmill gives a longer tone and then starts accelerating the belt. In *Manual Mode* the belt will begin accelerating to 0.5 mph (0.8 kph) and the incline will remain at zero percent. In a workout the belt will begin accelerating and the incline will change to the corresponding speed and incline of the workout and level you selected.



5. Hold the handrails while you step onto the running belt and begin walking.
6. Observe the Cybex GO monitor for workout information.  
The Bar Graph display shows a graphical representation of the relative workout intensity or incline changes. The workout data will be displayed in the data bar and can be individually toggled to show alternative data to customize your display.  
Heart rate will be displayed if a valid heart rate is available from a wireless chest strap (not included) or by holding the contact heart rate grips.

When you adjust incline in a workout, the change will affect only the current segment. The program control will resume starting with the next segment. To increase or decrease overall intensity, adjust the speed and/or the program level.

7. Press the **Speed+** - keys to change the belt speed at any time. The right display will show speed.
8. Press the **Incline ▲ ▼** keys to change the incline at any time. The left display will show incline.
9. Press the **STOP** key at any time to stop the workout. **Workout Review** is displayed and the incline returns to 0%.



If the e-stop key is removed during a workout, the drive motor power shuts off immediately, causing the belt to stop. **Emergency Stop!** is displayed. Replacement of the e-stop key causes **Workout Review** to begin.

When a program is complete the treadmill begins a countdown, **3...2...1** and sounds a tone for each count. The belt slows to a stop, the incline returns to 0% and **Workout Review** is displayed for the preset time or until you press the **Home** key.

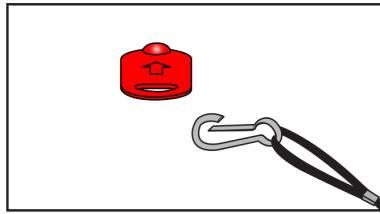
The treadmill returns to *Dormant Mode*.

## ***Stopping the Treadmill***

---

Press **STOP** once to end the workout session and start the **Workout Review**. The treadmill will perform a controlled belt stop and bring the incline to 0%. The accumulated data will be displayed for the duration configured in Setup for Review Time. Press **STOP** again to exit to Dormant.

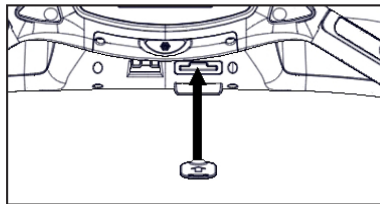
The function of the immobilization method: The purpose of immobilizing the treadmill is to prevent unauthorized use. This can be accomplished by removing the e-stop key from the treadmill, un-clipping it from the cord and putting it in a non-accessible place.



**The emergency dismount:** Follow the steps listed below if you experience pain, feel faint or need to stop your treadmill in an emergency situation:

1. Grip handrails for support.
2. Step onto the top steps.
3. Pull the e-stop key off the console.

**The function of the emergency stop:** The e-stop key functions as the emergency stop. In an emergency situation, remove the e-stop key from the treadmill and the running belt will come to a stop.



## ***Safety Sentry***

---

Safety Sentry uses display feedback to determine user presence. If a user is not detected within 10 seconds, the display beeps and inquires **Run?** (LED console) or **Are you there?** (E3 View console). The treadmill will use every sensor available to determine a user is still on the belt before asking if you are present, then shutting it off. If the user is lighter than 100 lbs. (45 Kg), the motor drive may not be able to determine they are on the belt. In this instance, the treadmill can only rely on the key inputs, or the heart rate to establish your presence. It is advisable for lighter users to take advantage of the wireless heart rate feature to avoid triggering the Safety Sentry.

An unattended, running treadmill can create an unsafe environment for a user. The Safety Sentry feature is intended to allow the treadmill to stop the running belt when the treadmill is unattended. To avoid the treadmill running unattended, follow these steps:

1. At the end of your workout, verify that the running belt is stopped by visually checking the Cybex logo on the running belt, it should not be moving.
2. If the belt is moving, place feet on both sides of the top step and press **STOP** or remove the e-stop key from the treadmill.

## ***Workout Selection***

---

### **Quick Start**

---

1. Press **Quick Start**.
2. Control speed and incline.

**Workout Choices:****Weight Loss**

Name	Levels	Settings
Speed Bump	10	Choose goal - Time, distance, or calorie.
Rollers	10	Choose goal - Time, distance, or calorie.
Hills	10	Choose goal - Time, distance, or calorie.
Peaks	10	Choose goal - Time, distance, or calorie.

**Cardio**

Name	Levels	Settings
Hill Interval 1:1	10	Choose goal - Time, distance, or calorie.
Hill Interval 1:2	10	Choose goal - Time, distance, or calorie.
Hill Interval 1:3	10	Choose goal - Time, distance, or calorie.
Interval Plus	10	Choose goal - Time, distance, or calorie.
Heart Rate Control**	N/A	Choose goal - Time, distance, or calorie.

**Tests**

Name	Levels	Settings	Results
Gerkin Protocol	Walk/run	Weight, age, and gender.	VO <sub>2</sub> max
Army PFT	2 mile/3.2 k run	Weight, age, gender, and starting speed.	Points
Air Force PFT	1.5 mile/2.4 k run	Weight, age, gender, and starting speed.	Points
Navy <5K PRT	1.5 mile/2.4 k run under 5000 feet	Weight, age, gender, and starting speed.	Points
Navy > 5K PRT	1.5 mile/2.4 k run over 5000 feet	Weight, age, gender, and starting speed.	Points
Marines PRT	3 mile/4.8 k run sea level	Weight, age, gender, and starting speed.	Points
Marines 4500 PRT	3 mile/4.8 k run 4500 feet	Weight, age, gender, and starting speed.	Points
One Mile Test	1 mile/1.6 k walk	Weight, age, gender, and starting speed.	VO <sub>2</sub> max

PFT means Physical Fitness Test, PRT means Physical Readiness Test.

See Appendix for workout details

## Data Readouts

---

As you exercise, the unit keeps track of the following data:

**BPM (Beats Per Minute)** Your current heart rate. Heart rate will appear when a signal is introduced. Use the hand grips for Contact Heart rate or wear a Polar® compatible heart rate chest strap.

**Calories** The total accumulated calories burned during your workout. Your weight must be correctly set before beginning your workout for this measurement to be most accurate.

**Calories Per Hour** Calculation of present workload's energy exertion in Calories per Hour.

**Distance** The total accumulated distance, in miles or kilometers, during your workout. Depending on the defaults you've chosen this measurement will show in English or Metric

**Metabolic Equivalent (MET)** Relates to the user's energy expenditure. A MET is a basic unit of measurement that is used to compare relative work between individuals and activities. 'One MET' is the amount of oxygen consumed at rest. For example, two MET would be twice that amount. If an individual were working at four MET he/she would be consuming oxygen at a rate equal to four times their resting consumption. MET can be used to compare walking on a grade with running or even to cycling and other activities.

**Pace** At your current speed, how long it would take to cover a mile (or kilometer), displayed in minutes:seconds.

**Time** The total time you've been working out or time remaining. Display time as **minutes:seconds**.

MM:SS	Minutes:Seconds	00:01 to 99:99
MMMM	Minutes	100 minutes or more

**Watt** Present workload energy exertion.

## Heart Rate Indicator

---

**Contact Heart Rate** Lightly hold hand grips on the handlebar ensuring that hands are clean and contact both the front and back sensors of each grip. A heart rate will display in typically 30 seconds or less.

Factors that interfere with heart rate signal:






- hand lotions
- oils or body powder
- excessive dirt
- excessive movement
- body composition

- hydration
- too loose grip
- too tight grip
- resting or leaning on grips

**Wireless Heart Rate**

To use this feature, a 5 KHz Polar® compatible heart rate transmitter belt (not included) must be worn.

Once the actual heart rate is determined, the LED is blinking to the displayed BPM and the Heart LED lights up. The color of the light represents a scale of low to high target heart rate.

	Blue	0 - 69 BPM
	Green	70 - 93 BPM
	Yellow	94 - 119 BPM
	Dark Orange	120 - 169
	Magenta	170 and higher

***Meaning of % Grade***

---

A 1% grade is not the same as a 1 degree incline. The % grade is the relationship of the measurement of rise over the measurement of run (also called slope). For example, a 1 foot (meter) rise in height over a length of 100 feet (meters) is a 1% grade. Expressed as a mathematical formula, the grade is calculated as follows: 1 ft. (m) / 100 ft. (m) = 0.01 = 1%

With respect to treadmills, the percent grade is roughly equal to the increase in height (rise) of the treadmill divided by the length (run) of the treadmill.

The degree of incline can be related to % grade by taking the Arctangent of the grade. For instance, 15% grade is equal to 8.53 Degrees (ArcTan(.15)=8.53°). The opposite is true to determine % Grade from Degree of incline (Tan (8.53°)=.15).

***Fan Control***

---

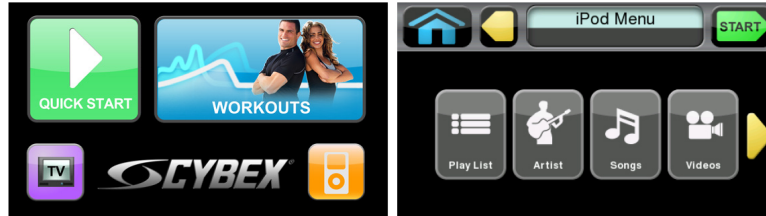
The fan defaults to the "OFF" setting. The user can change to "Fan Low", "Fan High", or "Fan Off" setting by pressing the appropriate control key.

## ***iPod/iPhone Functions***

---

Connecting an iPod/iPhone allows some control through the keypad. The iPod/iPhone will not be charged while connected.

1. Connect iPod/iPhone (not supplied) into the 30 pin connector.
2. Place iPod/iPhone onto the accessory tray.
3. Plug headphones (not supplied) into the console headphone jack.
4. iPod/iPhone Playlist
  - a) Select the iPod/iPhone icon to display the iPod/iPhone navigation screen.



- b) If iPod/iPhone is already playing use the standard iPod/iPhone controls.
- c) If iPod/iPhone is Dormant make a selection from the iPod/iPhone Menu.

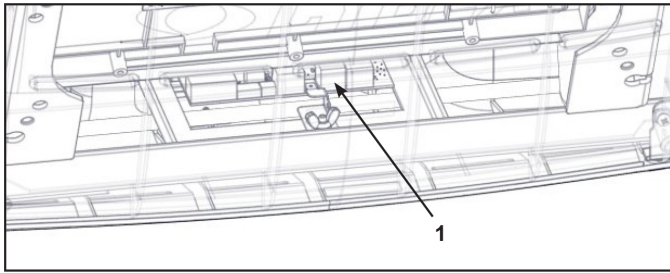
Once a selection is made from the iPod/iPhone menu, make further selections until the desired media is found.

## ***CSAFE Port***

---

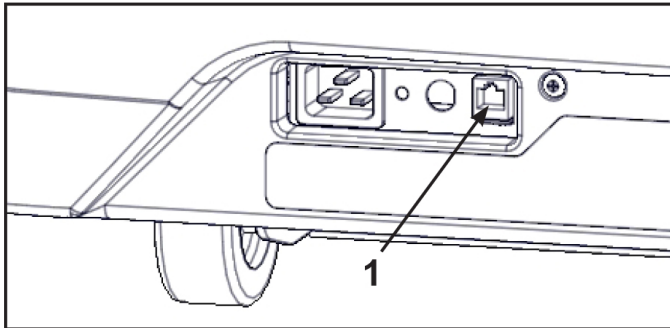
The CSAFE standard defines a communication protocol and low-voltage DC power source specific to the Fitness Equipment Industry. These RJ-45 phone jacks are provided for use ONLY within the CSAFE protocol.

For more information on CSAFE standard, visit [www.fitlinxx.com/csafe](http://www.fitlinxx.com/csafe).



	Description	Qty.
1	CSAFE port (Red)	1

**Console CSAFE port location (Inside console)**



	Description	Qty.
1	CSAFE port	1

**Optional CSAFE location (Front of unit)**

# Maintenance

---

All preventive maintenance activities must be performed on a regular basis. Performing routine preventive maintenance actions can aid in providing safe, trouble-free operation of all Cybex equipment.

Cybex is not responsible for performing regular inspection and maintenance actions for your machines. Instruct all personnel in equipment inspection and maintenance actions and also in accident reporting and recording. Cybex representatives are available to answer any questions that you may have.

## Warnings

---

 Read all warnings in this chapter.

### **WARNING**

For maintenance, service and repair:

- Must be performed by trained service personnel only
- Use only Cybex replacement parts
- Unplug unit before working on it
- Keep water and liquids away from electrical parts.

### **DANGER**

Electrocution hazard. To avoid death or serious injury unplug unit when not in use or when performing maintenance.

### **WARNING**

Equipment hazard. To avoid serious injury or death replace worn or damaged components immediately and keep the equipment out of use until repair is completed.

## Clean Unit

---

### **WARNING**

Shock and electrocution hazard.

- Unplug unit and let sit 10 minutes before cleaning or performing maintenance.
- Electrical charge can remain in unit after unplugging.
- Keep water and liquids away from electrical parts.

### Tools Required

- Cleaning solution
- Rubbing alcohol
- Clean cloth
- Vacuum

### After Each Use

Wipe up any liquid spills immediately. After each workout, use a cloth to wipe up any remaining perspiration from the handrails and painted surfaces.

Be careful not to spill or get excessive moisture between the edge of the display panel and the console, as this might create an electrical hazard or cause failure of the electronics.

### **As Needed**

Vacuum any dust or dirt that might accumulate under or around the unit. Cleaning this area should be done as often as indicated in the Service Schedule.

### **Clean Console**

#### **NOTICE**

Do not spray cleaning solution directly on the console. Direct spraying could cause damage to the electronics and may void the warranty.

- Spray a mild cleaning agent on a clean cloth.
- Clean the console, accessory tray, and cup holder with a damp cloth.

### **Clean Base**

- Spray a mild cleaning agent on a clean cloth.
- Clean the base of the unit with a damp cloth.

### **Contact Heart Rate Grips**

Clean the grips using a cloth dampened with a cleaning solution containing rubbing alcohol.

Contaminants, such as hand lotions, oils or body powder, may come off on the contact heart rate grips. These can reduce sensitivity and interfere with the heart rate signal. It is recommended that the user have clean hands when using the contact heart rate.

### **CardioTouch Screen**

While in *Dormant Mode* press the **Cybex** logo icon to access the *Lock and Toolbox* options. Press the **Lock screen for cleaning** icon to lock the screen for 10 seconds. The CardioTouch screen will stay locked for 10 seconds to prevent any key presses from being processed. Clean the CardioTouch screen using a soft cloth dampened with a cleaning solution containing rubbing alcohol.

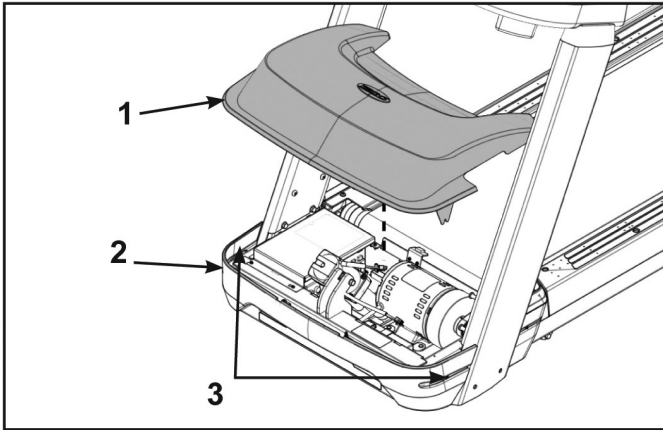
### ***Vacuum Motor Bay***

---

### **Tools Required**

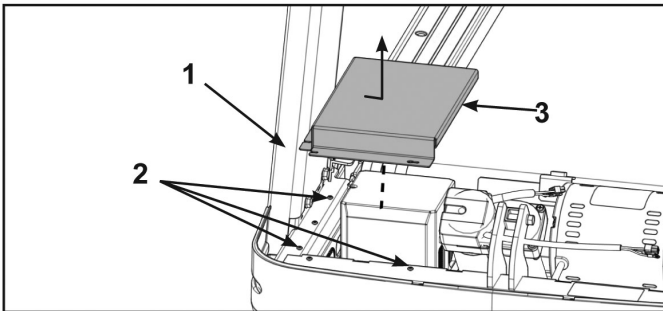
- Phillips screwdriver
- Clean cloth
- Vacuum, with tip for small spaces

1. Loosen, but do not remove the two front cover screws securing the motor cover using a Phillips screwdriver.



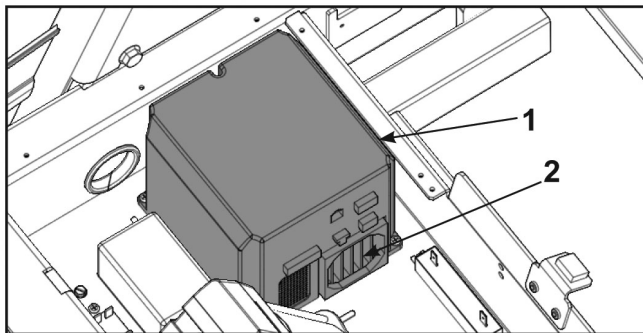
	Description	Qty.
1	Motor cover	1
2	Front cover	1
3	Screws	2

2. Remove motor cover by lifting vertically.
3. Loosen but do not remove the seven screws securing the shield to the base using a Phillips screwdriver.



	Description	Qty.
1	Base	1
2	Screws	7
3	Shield	2

4. Remove shield by sliding sideways and then vertically off of base.
5. Use a vacuum attachment or hand vacuum to clean the exposed elevation assembly, drive motor, lower electronics and the surrounding areas.
6. Vacuum the fan and heat sink area of the motor controller.



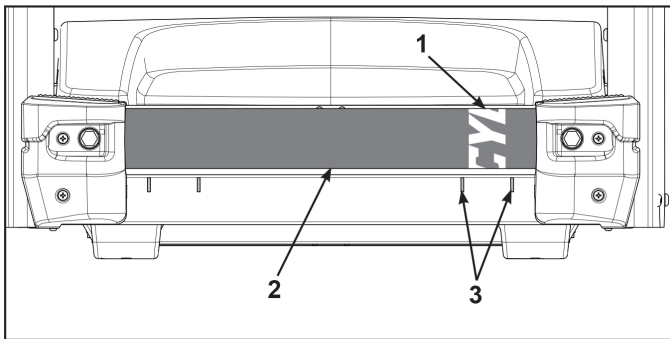
	Description	Qty.
1	Motor controller	1
2	Fan and heatsink	1

7. Use a dry cloth for the areas that you can not reach with the vacuum cleaner. If the machine has not been used for some time or is excessively dirty, use a dry cloth to wipe all exposed areas.
8. Raise the rear of the treadmill and roll it back from its present position to vacuum the floor area underneath the unit. When finished, return the treadmill to its normal position.

## Running Belt

### Center and tension the running belt

1. Plug the power cord into the power outlet.
2. Turn the main power switch to the on (I) position.
3. Tap the **Quick Start** icon.
4. Press the **Speed +** key to bring the speed up to 5 mph (8 kph). Allow the treadmill to run for a minute. The lateral position of the running belt is correctly centered when the Cybex logo is centered between the inside edges of the two belt tracking slots. If the Cybex logo is not centered between the belt tracking slots, center the running belt with the following procedure.
5. Observe the Cybex logo position relative to the belt tracking slots with the treadmill running at 5 mph (8 kph).

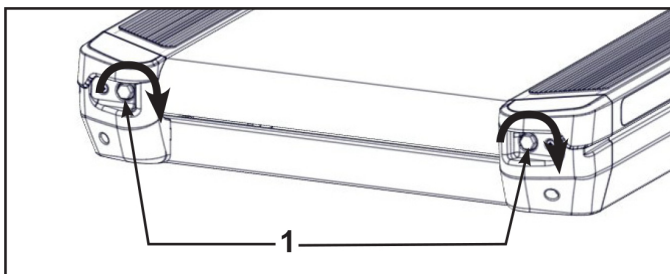


	Description	Qty.
1	Cybex logo	1
2	Running belt	1
3	Belt tracking slot	4

While centering the running belt choose one bolt to adjust. Do not adjust both bolts.

6. Tighten the rear roller bolt on the side of the treadmill toward which the running belt is moving using a 3/4" socket wrench.

For example: If the running belt moves to the right of the belt tracking slots, tighten the bolt on the right side of the frame, tighten about 1/2 of a turn (clockwise) and wait 30 seconds. If the running belt does not move back to the center of the belt tracking slots, make another adjustment to the same bolt. Once the running belt has been adjusted closer to the center of the belt tracking slots, use about 1/4 of a turn until the running belt has been stabilized.



	Description	Qty.
1	Rear roller bolt	2

7. Check the belt tension after the running belt has been centered.  
Make sure the running belt tension is tight enough so that the running belt does not slip or hesitate when stepped on. Walk on the treadmill at 3.5 - 4 mph (5.6 - 6.4 kph) and every 4th to 5th step throw your weight into your step to feel if the running belt is slipping. If slipping is felt, confirm it is the running belt slipping and not the drive belt. With the hood cover removed, observe movement at the drive belt and front roller.  
Do not over tighten the running belt. Over tightening the running belt can cause the belt to stretch and require replacement. Continue procedure until running belt stops slipping.
8. Check running belt for centering position.  
If running belt is not centered, perform steps 5 and 6.

## **Check Running Belt and Deck Surfaces**

---

The running belt and deck should be checked periodically for any excessive wear. In an effort to make sure that the running belt operates properly, visually inspect the belt often to make sure that there are no tears or fraying in the belt material. The running belt should be replaced every 15,000 miles (24,140 km). The running deck should be flipped every 15,000 miles (24,140 km) and replaced every 30,000 miles (48,280 km). A service prompt will appear at this interval and the parts will need to be replaced.

### **Tools Required**

Phillips screwdriver

### **Disconnect power source**

1. Toggle the on/off (I/O) power switch to the off (O) position. The on/off (I/O) power switch is located under the front end of the unit, or on the front right side panel.
2. Unplug the treadmill from the power outlet.

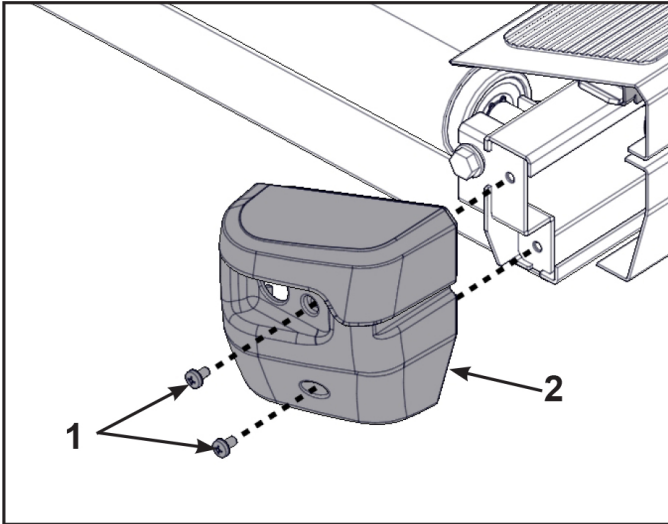
#### **⚠ WARNING**

Shock and electrocution hazard.

- Unplug unit and let sit 10 minutes before cleaning or performing maintenance.
- Electrical charge can remain in unit after unplugging.
- Keep water and liquids away from electrical parts.

### Check the running belt condition

1. Remove the two screws securing the right end cap using a Phillips screwdriver.



	Description	Qty.
1	Screws	2
2	Right end cap	1

2. Repeat step 1 for the left end cap.
3. Inspect the top surface, seam, and edges of the running belt while you roll it by hand.
  - 👉 **Note:** If the belt has any rips or looks excessively worn the belt needs to be replaced. If the running belt and deck need replacement refer to a qualified service technician.
4. Install the screws securing the end caps removed in steps 1 and 2 using a Phillips screwdriver.

### Other Maintenance

Other preventive maintenance activities must be completed by a qualified service technician at the recommended intervals listed in the **Service Schedule** at the end of this chapter. These activities include:

- Flipping or replacing the running deck
- Replacing the running belt

### Elevation Motor Lubrication

In time the elevation motor pivot points or tube nut may develop a squeak. Lubricate the upper and lower bolts and the spacers with a small amount of lithium grease. You can buy lithium grease at an auto parts store.

### Static Electricity

Depending upon where you live, you may experience dry air, causing a common experience of static electricity. This may be especially true in the winter time. You may notice a static build-up just by walking across a carpet and then touching a metal object. The same can hold true while working out on your treadmill. You may experience a shock due to the build-up of static electricity on your body and the discharge path of the treadmill. If you experience this type of situation, you may want to increase the humidity to a comfortable level through the use of a humidifier.

## **Cybex GO Monitor**

---

### **Cleaning**

- Clean with a dust free cloth. For further cleaning, use a soft cloth or paper towel dampened with water. To avoid damage to the surface of the monitor, do not use abrasive or chemical cleaning agents.
- Disinfecting: to avoid damage to the surface, test a small portion of the monitor's cabinet with any disinfectant to verify that the disinfectant will not discolor or soften the enclosure.

### **Storage or Long Non-Use Periods**

When not using product for an extended period of time the product should be disconnected from the Power Supply, TV/Cable Signal Feed, and any Peripheral Devices.

### **Pixels**

Very small red, blue, white or green spots may be visible or may appear on the screen. This is a characteristic of liquid crystal display panels and is not considered a defect for replacement. The liquid crystal panel is built with very high precision technology giving fine picture details. Occasionally, a few non-active pixels may appear on the screen as a fixed point. This does not affect the performance of monitor or merit a warranty claim.

### **Maintenance**

- It is very important to have the unit regularly examined by a qualified technician to ensure the product is fit for use.
- If the unit malfunctions, please refer to a qualified technician for repair or replacement of defective parts immediately. Do not attempt to use the monitor until it has been inspected and repaired by a qualified technician.
- For inspection, installation and servicing, please consult qualified technician.
- Failure to use a manufacturer approved repair technician may void any warranty claims.

### ***Service Wheel (optional)***

---

A service wheel lever is located at the rear end of the unit. This lever will engage a wheel and elevate the rear end of the unit. The treadmill can then be easily moved for cleaning or servicing.

#### **⚠ WARNING**

Shock and electrocution hazard.

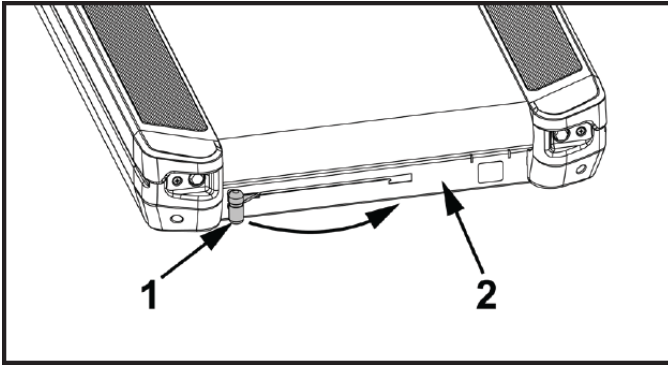
- Unplug unit and let sit 10 minutes before cleaning or performing maintenance.
- Electrical charge can remain in unit after unplugging.
- Keep water and liquids away from electrical parts.

### **Engage service wheel**

---

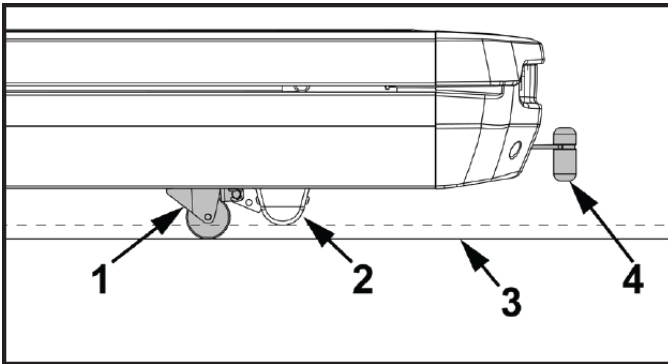
1. Unplug power cord from power outlet.

- Grasp the service wheel lever and slide to the right and down to lock in place.



	Description	Qty.
1	Service wheel lever	1
2	Frame	1

The service wheel will lower and raise the rear foot off the floor.



	Description	Qty.
1	Service wheel	1
2	Rear foot	2
3	Floor	1
4	Service wheel lever	1

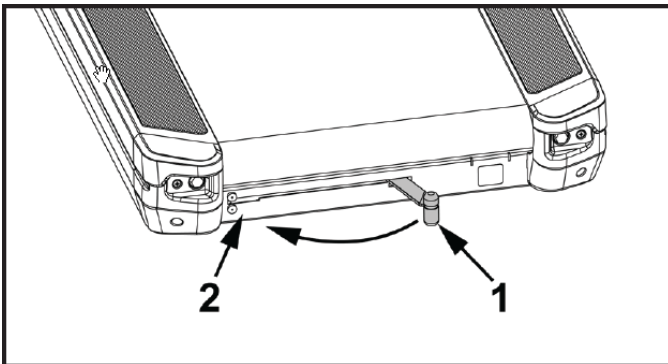
- Move treadmill as needed.

### Disengage service wheel



**WARNING** Trip and fall hazard. To avoid injury, make sure service wheel lever is not engaged prior to use.

- Grasp the service wheel lever and slide to the right, lift up, and slide to the left.



	Description	Qty.
1	Service wheel lever	1
2	Frame	1

- Plug the power cord into the power outlet.



## Service Schedule









---

All maintenance activities shall be performed by qualified personnel. Failure to do so could result in serious injury.

This is the minimum recommended service.

### Determine distance

	<b>CYBEX LOGO</b>	Press and hold Cybex logo for 6 seconds to access <b>Screen Lock</b> and <b>Toolbox</b> .
	<b>LANGUAGE ICON</b>	Press and hold language logo for 6 seconds to access <b>Screen Lock</b> and <b>Toolbox</b> .

1. Tap the **Access Toolbox** icon to display the **Access to Toolbox** login screen.
2. Enter the sequence:     .
3. Press the **Statistics** icon to access the **Recorded Statistics** screen.
4. Locate and tap the icon for **Treadmill Totals**.
5. Record Distance.
6. Tap the **Back**  icon to return to the **Recorded Statistics** screen.
7. Locate and tap the icon for **Belt** or **Deck**.
8. Record Distance.
9. If replacing the running belt, tap the **Belt** icon, then tap the **New Belt Reset** icon to reset odometer.
10. If replacing the running deck, tap the **Deck** icon, then tap the **New Deck Reset** icon to reset odometer.
11. Exit Set Up Mode by tapping the **Toolbox**  icon, then tap the **Home** icon . The screen will refresh.

### First 500 miles (800 km).

---

Check running belt tension and tracking.

### Every 5,000 miles (8,000 km).

---

1. Check running belt tension and tracking.
2. Vacuum the fan and heat sink area of the motor controller.
3. Move treadmill and vacuum underneath.
4. Use Service wheel, or raise elevation to 15%, carefully roll the treadmill backwards to clean underneath with a dry cloth and vacuum. Return to normal position when done.

**Every 15,000 miles (24,140 km).**

---

1. Replace running belt and flip deck.
2. Check elevation assembly and replace worn parts.
3. Lubricate elevation pivot points.

**Every 30,000 miles (48,280 km).**

---

Replace running belt and deck.

# Customer Service

---

## Product Registration

---

To register product do the following:.

1. Visit [www.cyboxintl.com](http://www.cyboxintl.com).
2. Locate Product Registration in the Support section.
3. Fill out form completely.
4. Click the **Submit** button to register product.

## Contacting Service

---

Hours of phone service are Monday through Friday from 8:30 a.m. to 6:00 p.m. Eastern Standard Time.

For Cybox customers living in the USA, contact Cybox Customer Service at 888-462-9239.

For Cybox customers living outside the USA, contact Cybox Customer Service at 508-533-4300 or fax 508-533-5183. Email address [internationaltechhelp@cyboxintl.com](mailto:internationaltechhelp@cyboxintl.com)

Find information on the web at [www.cyboxintl.com](http://www.cyboxintl.com).

To contact us online go to [www.cyboxintl.com](http://www.cyboxintl.com).

## Ordering Parts

---

To order parts online go to [www.cyboxintl.com](http://www.cyboxintl.com).

To speak with a customer service representative, call 888-462-9239 (for customers living within the USA) or 508-533-4300 (for customers outside the USA).

The following information located on the serial number decal will assist our Cybox representatives in serving you.

- Unit Serial Number, Product Name and Model Number
- Part Description and Part Number if you have it. All parts can be found on the web at [www.cyboxintl.com](http://www.cyboxintl.com)
- Shipping Address
- Contact Name
- Include a description of the problem.

In addition to your shipping address and contact name, your account number is helpful but not required. You may also fax orders to 508-533-5183.

## ***Return Material Authorization (RMA)***

---

The Return Material Authorization (RMA) system is used when returning material for placement, repair or credit. The system assures that returned materials are properly handled and analyzed. Follow the following procedures carefully.

Contact your authorized Cybex dealer on all warranty-related matters. Your local Cybex dealer will request a RMA from Cybex, if applicable. Under no circumstances will defective parts or equipment be accepted by Cybex without proper RMA and an Automated Return Service (ARS) label.

Please contact [Cybex Customer Service](#) for the return of any item that is defective.

Provide the technician with a detailed description of the problem you are having or the defect in the item you wish to return. Provide the model and serial number of your Cybex equipment.

At Cybex's discretion, the technician may request that you return the problem part(s) to Cybex for evaluation and repair or replacement. The technician will assign you a RMA number and will send you an ARS label. The ARS label and the RMA numbers must be clearly displayed on the outside of the package that contains the item(s) to be returned. Include the description of the problem, the serial number of the equipment and the name and address of the owner in the package along with the part(s).

Merchandise returned without an RMA number on the outside of the package or shipments sent COD will not be accepted by the Cybex receiving department.

## ***Damaged Parts***

---

Materials damaged in shipment should not be returned for credit. Shipping damages are the responsibility of the carrier (UPS, Federal Express, trucking companies, etc.)

## ***Apparent Damage***

---

Upon receipt of your shipment, check all items carefully. Any damage seen with a visual check must be noted on the freight bill and signed by the carrier's agent. Failure to do so will result in the carriers refusal to honor your damage claim. The carrier will provide you with the required forms for filing such claims.

## ***Concealed Damage***

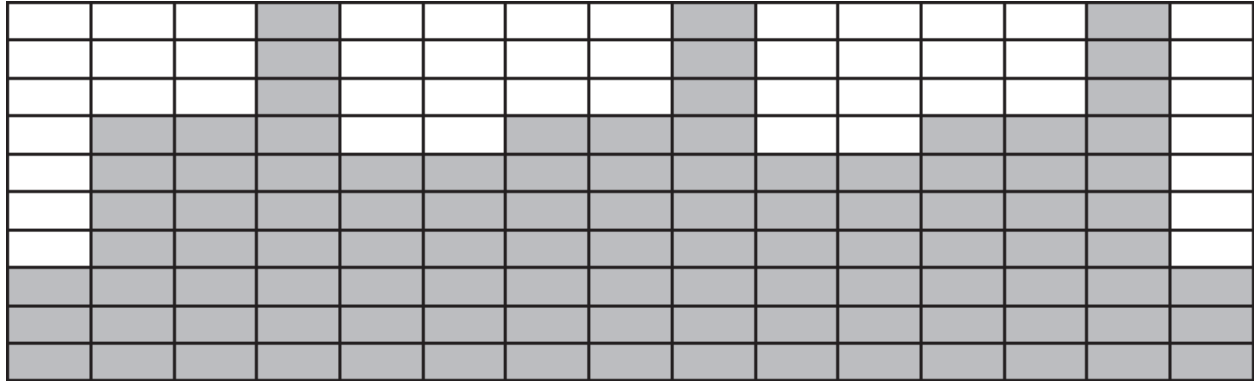
---

Damage not seen with a visual check upon receipt of a shipment but notices later must be reported to the carrier as soon as possible. Upon discovery of the damage, a written or phone request to the carrier asking them to perform an inspection of the materials must be made within ten days of the delivery date. Keep all shipping containers and packing materials as they will be needed in the inspection process. The carrier will provide you with an inspection report and the necessary forms for filing a concealed damage claim. Concealed damage claim is the carrier's responsibility.

# Appendix - Workout Overviews

## Speed Bump

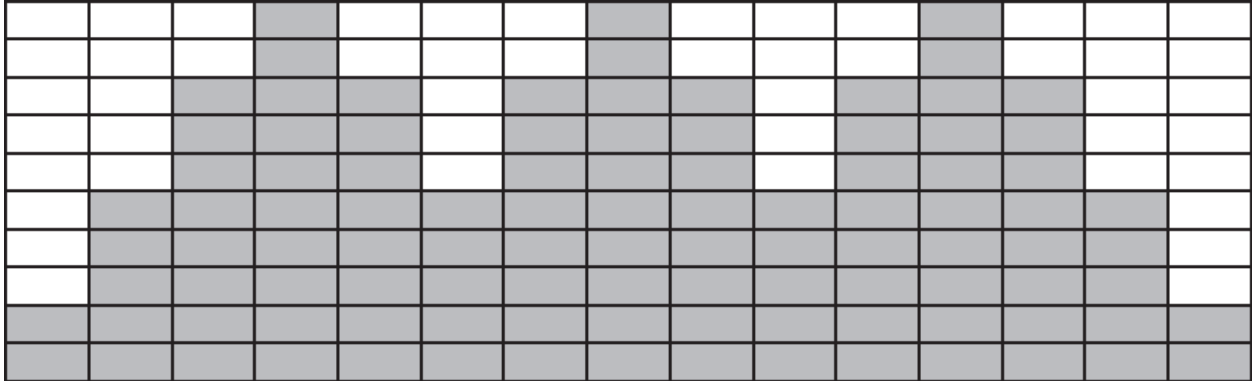
This workout uses a series of relatively minor changes in its five-minute core to add an incremental demand. The five-minute core utilizes a baseline incline for two minutes and then increases the incline for added demand and then provides a slightly lower Incline for two-minutes for recovery.



Time	:30	:30	:30	:30	1:00	1:00	1:00	1:00	1:00	:30	:30	:30	:30
	Warm Up				Core Segments					Cool Down			
Incline	1	2	3	4	1	2	3	4	5	1	2	3	4
10	2	3	3	5	10	10	14	9	9	0	0	0	0
9	2	3	3	5	9	9	12	8	8	0	0	0	0
8	2	2	3	4	8	8	10	7	7	0	0	0	0
7	2	2	3	4	7	7	9	6	6	0	0	0	0
6	1	2	2	3	6	6	7	5	5	0	0	0	0
5	1	2	2	3	5	5	6	4	4	0	0	0	0
4	1	1	2	2	4	4	5	3	3	0	0	0	0
3	1	1	2	2	3	3	4	2	2	0	0	0	0
2	1	1	1	2	2	2	3	1	1	0	0	0	0
1	1	1	1	2	1	1	2	0	0	0	0	0	0

## Rollers

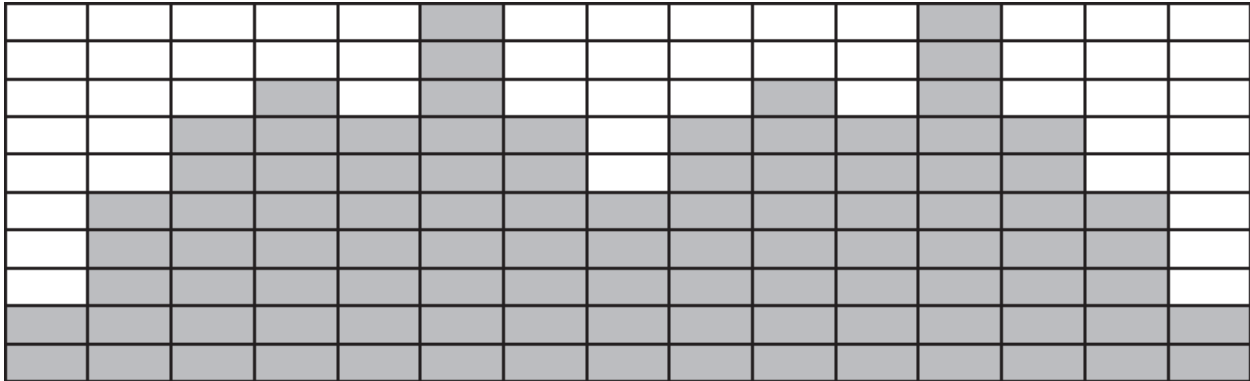
This workout uses an eight minute core intended to mimic variety in terrain that might be found on a hilly outdoor run. The eight minute core is composed of four segments. The baseline segment is two minutes in length and is followed by two two-minute segments of increase Incline before returning to the intermediate incline for two minutes.



Time	:30	:30	:30	:30	2:00	2:00	2:00	2:00	:30	:30	:30	:30
	Warm Up				Core Segments				Cool Down			
Incline	1	2	3	4	1	2	3	4	1	2	3	4
10	1	2	2	3	4	6	8	6	0	0	0	0
9	1	1	2	2	3	6	8	5	0	0	0	0
8	1	1	2	2	3	5	8	5	0	0	0	0
7	1	1	1	2	2	5	7	4	0	0	0	0
6	1	1	1	2	2	4	7	4	0	0	0	0
5	0	0	1	1	1	4	7	3	0	0	0	0
4	0	0	1	1	1	3	6	3	0	0	0	0
3	0	0	0	0	0	3	6	3	0	0	0	0
2	0	0	0	0	0	2	6	2	0	0	0	0
1	0	0	0	0	0	2	5	2	0	0	0	0

## Hills

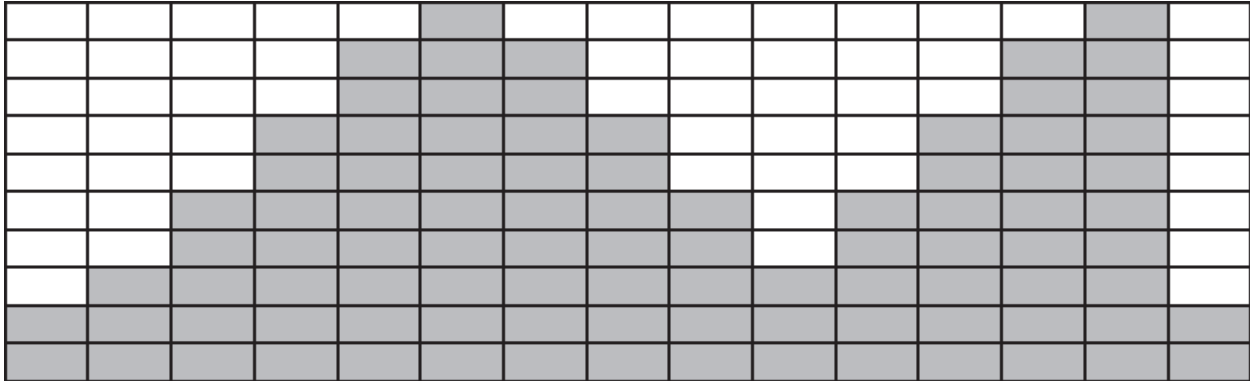
This workout uses a six-minute core utilizing one minute segments with mild Incline changes and two relative peak segments followed by relative rest segments.



Time	:30	:30	:30	:30	1:00	1:00	1:00	1:00	1:00	1:00	:30	:30	:30	:30
	Warm Up				Core Segments						Cool Down			
Incline	1	2	3	4	1	2	3	4	5	6	1	2	3	4
<b>10</b>	3	3	5	6	8	10	12	10	15	10	0	0	0	0
<b>9</b>	2	3	4	5	7	9	12	9	14	9	0	0	0	0
<b>8</b>	2	3	3	5	6	8	11	8	13	8	0	0	0	0
<b>7</b>	2	2	3	4	5	7	10	7	12	7	0	0	0	0
<b>6</b>	1	2	2	3	4	6	9	6	11	6	0	0	0	0
<b>5</b>	1	1	2	2	3	5	8	5	10	5	0	0	0	0
<b>4</b>	1	1	1	2	2	4	7	4	9	4	0	0	0	0
<b>3</b>	0	0	1	1	1	3	6	3	8	3	0	0	0	0
<b>2</b>	0	0	0	0	0	2	5	3	7	3	0	0	0	0
<b>1</b>	0	0	0	0	0	2	4	2	6	2	0	0	0	0

## Peaks

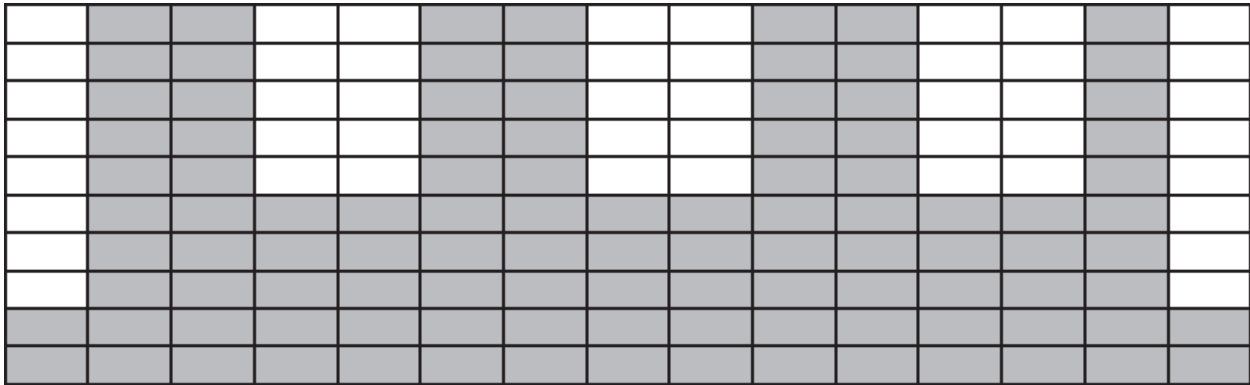
This workout uses a nine minute core where the incline increases every minute for the first five minutes. After the fifth minute of the core workout, the incline is reduced each minute. This workout uses continuous and gradual changes to give the user time to acclimate to demand and recover without large perceived changes in the effort required.



Time	:30	:30	:30	:30	1:00	1:00	1:00	1:00	1:00	1:00	1:00	1:00	1:00	:30	:30	:30	:30	
	Warm Up				Core Segments										Cool Down			
Incline	1	2	3	4	1	2	3	4	5	6	7	8	9	1	2	3	4	
10	2	2	3	4	5	8	11	13	15	13	11	8	5	0	0	0	0	
9	1	2	2	3	4	7	10	12	14	12	10	7	4	0	0	0	0	
8	1	2	2	3	4	6	9	11	13	11	9	6	4	0	0	0	0	
7	1	1	2	2	3	5	8	10	12	10	8	5	3	0	0	0	0	
6	1	1	2	2	3	5	7	9	11	9	7	5	3	0	0	0	0	
5	1	1	1	2	2	4	6	8	10	8	6	4	2	0	0	0	0	
4	1	1	1	2	2	3	5	7	9	7	5	3	2	0	0	0	0	
3	1	1	1	2	2	3	4	6	8	6	4	3	2	0	0	0	0	
2	0	0	1	1	1	2	3	5	7	5	3	2	1	0	0	0	0	
1	0	0	0	0	0	1	2	4	6	4	2	1	0	0	0	0	0	

### Hill Interval 1:1

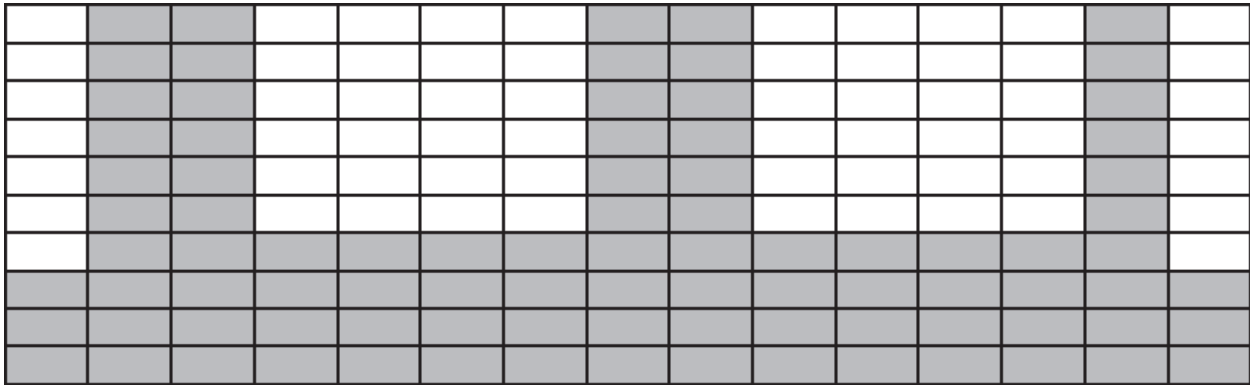
This workout is designed to increase capability by alternating two minute work segments with two minutes of relative rest. The intensity of rest periods is greater here than in Hill Interval 1:2 as is the duration of the work interval making this workout more demanding than Hill Interval 1:2.



Time	:30	:30	:30	:30	1:00	1:00	1:00	1:00	:30	:30	:30	:30
	Warm Up				Core Segments				Cool Down			
Incline	1	2	3	4	1	2	3	4	1	2	3	4
10	3	5	6	8	11	11	6	6	0	0	0	0
9	3	4	6	8	10	10	5	5	0	0	0	0
8	3	4	5	7	9	9	5	5	0	0	0	0
7	3	3	5	6	8	8	4	4	0	0	0	0
6	2	3	4	5	7	7	4	4	0	0	0	0
5	2	3	3	5	6	6	3	3	0	0	0	0
4	2	2	3	4	5	5	3	3	0	0	0	0
3	1	2	2	3	4	4	2	2	0	0	0	0
2	1	1	2	2	3	3	2	2	0	0	0	0
1	1	1	1	2	2	2	1	1	0	0	0	0

### Hill Interval 1:2

This workout is designed for to through a one minute work interval at a high incline followed by a two minute rest interval at a substantially lower incline. Given the lower incline and longer rest intervals this workout is less intense than Hill Interval 1:1.




Time	:30	:30	:30	:30	:30	:30	:30	:30	:30	:30	:30	:30	:30	:30
	Warm Up				Core Segments						Cool Down			
Incline	1	2	3	4	1	2	3	4	5	6	1	2	3	4
10	3	5	6	8	11	11	4	4	4	4	0	0	0	0
9	3	4	6	8	10	10	3	3	3	3	0	0	0	0
8	3	4	5	7	9	9	3	3	3	3	0	0	0	0
7	3	3	5	6	8	8	3	3	3	3	0	0	0	0
6	2	3	4	5	7	7	2	2	2	2	0	0	0	0
5	2	3	3	5	6	6	2	2	2	2	0	0	0	0
4	2	2	3	4	5	5	2	2	2	2	0	0	0	0
3	1	2	2	3	4	4	1	1	1	1	0	0	0	0
2	1	1	2	2	3	3	1	1	1	1	0	0	0	0
1	1	1	1	2	2	2	1	1	1	1	0	0	0	0





## Heart Rate Control

---

 **Note:** This workout requires the user to wear a 5 KHz Polar® or compatible heart rate transmitter belt. The Heart Rate Control workout (HRC) cannot be selected on the control console unless it detects a heart rate signal. The HRC workout will not work with the cardio touch contact heart rate system.

After selecting the HRC workout, the treadmill will prompt you for workout time, weight, age, and target heart rate. Your age is required to estimate the proper range of heart rates. The target heart rate is calculated by the formula:  $208 - (0.7 \times \text{Age})$ . You will then have the option of adjusting the suggested target heart rate selected either up or down. Select a target heart rate which will allow you to exercise comfortably and safely while at the same time allowing you to reach your training goals. If you are unsure of what to select as your target, consult your physician or a physical training professional. After starting the HRC workout, the treadmill will attempt raise your heart rate to your target within 3 to 5 minutes. The treadmill will emphasize using elevation of the treadmill deck first to achieve higher workloads and thus higher heart rates; this is done to maximize the use of a walking gait, which is safer and more comfortable for many users. As a result, many users will spend nearly the entire workout at elevation up to 12% grade. After reaching your target, the treadmill will attempt to keep you there within 5 beats per min. As you tire, the treadmill will compensate by reducing elevation, speed or both. A two-minute cool-down is built in at the end of the workout.

### Method of HRC workout:

User selects heart rate target in the initial start of workout or accepts the suggested target of the formula:  $208 - (0.7 \times \text{Age})$ . This target heart rate is extremely important for more reasons than just the establishment of the target itself. It also makes an assumption of the general fitness level and controls several aspects of how quickly the elevation and speed will be adjusted. As an example, the starting speed for a selected target of 120 bpm (beats per minute) will be 2 mph. The starting speed for a selected target of 140 bpm will be 3.5 mph. In between those selected targets the starting speed will be proportional to the difference between 2 to 3.5. The workout will also be modified depending on what the selected target is at the start of the workout. This means someone with a higher selected target will get faster changes in speed and grade than someone with a lower target. This has the effect of getting the more fit user to their selected target faster without overshooting the target for someone with a lower fitness level. After the starting speed is attained by the treadmill, it will then increase the elevation every 15 seconds up to 12% grade or until the computer senses that the user is getting close to approaching their target heart rate. Since the control is somewhat predictive in nature, it will leave ample room for the user's heart rate to catch up to the increasing load. If the target heart rate is not attained at the load level of the start speed at 12% grade, then the treadmill will start increasing speed every 15 seconds up to 4 mph or until the computer senses that the user is getting close to approaching their target heart rate. If the user is still not at the target, the treadmill will increase speed to 5 mph and drop the elevation down to 8% grade. This is done because the speeds between 4 and 5 are difficult for the user because it is too slow to jog and too fast for many to walk. The drop in elevation compensates somewhat for the larger increase in speed. The system will then increase the speed of the belt every 15 seconds up to the maximum speed of the treadmill or until the computer senses that the user is getting close to approaching their target heart rate. At any time if the users heart rate exceeds the target, the load will

be decreased in the same order it was increased to ensure that the rate is stabilized at or below the target. When the time period is reached that is two minutes before the selected total time of the workout, the system will go into the cool down mode. This cool down will be similar to the cool down protocols in all the other workouts on the treadmill.

During the control period, the user has limited control over speed and elevation. Within the initial elevation climb segment up to 12 % grade, the users may vary elevation but not speed. Within the other segments the user can vary speed but not elevation. The user's selections are not persistent, however. At the next 15-second mark, the controller as described above will generally choose a new speed or elevation. The user is in fact advancing or retarding the action of the servo.


If at any time the heart rate signal is lost, the system will make no changes in load until such time as the HR signal is regained. If the heart rate signal continues to be lost (no stable HR) for a time period exceeding one minute, then start the cool down profile regardless of what the time period is.

## **Gerkin Protocol**

---

### **Workout Overview**

This workout was designed to predict the  $VO_2$  max using the Gerkin protocol. This test is used by the International Association of Firefighters to evaluate fitness level.

 **Note:** This workout requires the user to wear a 5 KHz Polar® or compatible heart rate transmitter belt.

The speed range of the workout includes walking speeds at 3 MPH then increases to 4.5 MPH or more during the middle stages. It returns to 3 MPH during the cool down session.

Elevation is used during the second stage of the test. It starts at a 2% grade and can increase from there.

### **Input information:**

- Age
- Weight
- Gender
- Heart rate (5 KHz Polar® compatible wireless chest strap required)

### **Test procedure:**

---

1. 3 minute warm-up at 0% grade, 3 mph.
2. Stage 1 – 1 minute, 0% grade, 4.5 mph. Walk or run. Heart rate is recorded during the last 15 seconds of each stage.
3. Stage 2 – 1 minute, 2% grade, 4.5 mph.
  - Speed and grade increases now alternate. At odd numbered stages, speed increases by 0.5 mph. At even numbered stages, grade increases 2%.
  - If heart rate is 85% or above, the stage is recorded, but the test continues for another 15 seconds with no increase in grade or speed.
  - If heart rate remains above 85%, the test is terminated, and the last stage number is entered.
  - If heart rate falls to or below 85%, speed or gradient is increased on the next minute boundary.
  - Once the 85% threshold is exceeded or makes it to the 11th minute, the evaluation is ended and the final stage is entered.
4. 3 minute Cool-down – 0% grade, 3 mph.
5. Take heart rate and record one minute after the end of the test. (Taken as a final reading and to monitor HR stabilizing).

## Army

---

### Workout Overview

The user controls the speed as needed to reach the goal. A point value will be given at the completion of the test. This workout was designed by the Army to test, evaluate, and measure fitness levels. The goal is to complete the set distance of 2.0 miles (3.2 km) in the least amount of time.

### Input information:

- Age
- Weight
- Gender
- Starting Speed

### Male

	Score									
Age	100	90	80	70	60	50	40	30	20	10
17-21	13:00	13:42	14:24	15:12	15:54	16:36	17:18	18:06	18:48	19:30
22-26	13:00	13:54	14:48	15:42	16:36	17:30	18:24	19:18	20:12	21:06
27-31	13:18	14:12	15:06	16:06	17:00	17:54	18:48	19:48	20:42	21:36
32-36	13:18	14:24	15:30	16:36	17:42	18:48	19:54	21:00	22:06	23:12
37-41	13:36	14:48	16:00	17:06	18:18	19:30	20:42	21:48	23:00	48:12
42-46	14:06	15:12	16:24	17:36	18:42	19:48	21:00	22:06	23:18	24:24
47-51	14:24	15:42	16:54	18:12	19:30	20:48	22:00	23:18	24:36	25:54
52-56	14:42	16:00	16:54	18:30	19:48	21:00	22:18	23:36	24:54	26:12
57-61	15:18	16:24	17:36	18:42	19:54	21:06	22:12	23:18	24:30	25:36
62+	15:42	16:48	17:48	18:54	20:00	21:06	22:12	23:12	24:18	25:24

### Female

	Score									
Age	100	90	80	70	60	50	40	30	20	10
17-21	15:36	16:24	17:12	18:06	18:54	19:42	20:30	21:24	22:12	23:00
22-26	15:36	16:36	17:36	18:36	19:36	20:36	21:36	22:36	23:36	24:36
27-31	15:48	17:00	18:06	19:18	20:30	21:42	22:48	24:00	25:12	26:24
32-36	15:54	17:18	18:48	20:12	21:42	23:06	24:36	26:00		
37-41	17:00	18:24	19:54	21:18	22:42	24:06	25:30			
42-46	17:24	18:54	20:30	22:06	23:42	25:12				

	<b>Score</b>									
<b>Age</b>	<b>100</b>	<b>90</b>	<b>80</b>	<b>70</b>	<b>60</b>	<b>50</b>	<b>40</b>	<b>30</b>	<b>20</b>	<b>10</b>
47-51	17:36	19:12	20:48	22:24	24:00	25:36				
52-56	19:00	20:18	21:42	23:00	24:24	25:48				
57-61	19:42	21:00	22:18	23:30	24:48	26:06				
62+	20:00	21:18	22:30	23:42	25:00	26:12				

## Air Force

---

### Workout Overview

This workout was designed by the Air Force to test, evaluate, and measure fitness levels. The goal is to complete the set distance of 1.5 miles (2.4 km) in the least amount of time. The user controls the speed as needed to reach the goal. A point value will be given at the completion of the test.

### Input information:

- Age
- Weight
- Gender
- Starting Speed

### Male

Males <25 and Males 25-29			Males 30-34 and Males 35-39			Males 40-44 and Males 45-49		
1.5 Mile RunTime (min.)	VO2 (ml/kg/min) Submaximal Estimates	Component-Points	1.5 Mile RunTime (min.)	VO2 (ml/kg/min) Submaximal Estimates	Component-Points	1.5 Mile RunTime (min.)	VO2 (ml/kg/min) Submaximal Estimates	Component-Points
<9:36	>54	50.00	<9:48	53	50.00	<10:24	>50	50.00
9:36	54	50.00	9:48	53	50.00	10:24	50	50.00
9:37-9:48	53	47.50	9:49-10:12	51-52	47.50	10:25-10:36	49	47.50
9:49-10:12	51-52	45.00	10:13-10:24	50	45.00	10:37-10:54	48	45.00
10:13-10:36	49-50	43.50	10:25-10:54	48-49	43.50	10:55-11:24	46-47	43.50
10:37-11:06	47-48	42.00	10:55-11:24	46-47	42.00	11:25-11:54	44-45	42.00
11:07-11:36	45-46	40.50	11:25-11:54	44-45	40.50	11:55-12:30	42-43	40.50
11:37-12:12	43-44	39.00	11:55-12:30	42-43	39.00	12:31-13:12	40-41	39.00
12:13-12:54	41-42	37.50	12:31-12:54	41	37.50	13:13-13:36	39	37.50
12:55-13:36	39-40	36.00	12:55-13:36	39-40	36.00	13:37-14:24	37-38	36.00
13:37-14:24	37-38	34.00	13:37-14:24	37-38	34.00	14:25-15:18	35-36	34.00
14:25-14:54	36	32.00	14:25-14:54	36	32.00	15:19-15:48	34	32.00
14:55-15:18	35	30.00	14:55-15:18	35	30.00	15:49-16:24	33	30.00
15:19-15:48	34	27.00	15:19-15:48	34	27.00	16:25-16:54	32	27.00
15:49-16:24	33	24.00	15:49-16:24	33	24.00	16:55-17:36	31	24.00
16:25-16:54	32	21.00	16:25-16:54	32	21.00	17:37-18:12	30	21.00
16:55-17:36	31	18.00	16:55-17:36	31	18.00	18:13-18:54	29	18.00

<b>Males &lt;25 and Males 25-29</b>			<b>Males 30-34 and Males 35-39</b>			<b>Males 40-44 and Males 45-49</b>		
<b>1.5 Mile RunTime (min.)</b>	<b>VO2 (ml/kg/min) Submaximal Estimates</b>	<b>Component-Points</b>	<b>1.5 Mile RunTime (min.)</b>	<b>VO2 (ml/kg/min) Submaximal Estimates</b>	<b>Component-Points</b>	<b>1.5 Mile RunTime (min.)</b>	<b>VO2 (ml/kg/min) Submaximal Estimates</b>	<b>Component-Points</b>
17:37-18:12	30	15.00	17:37-18:12	30	15.00	18:55-19:42	28	15.00
18:13-18:54	29	12.00	18:13-18:54	29	12.00	19:43-20:36	27	12.00
18:55-19:42	28	9.00	18:55-19:42	28	9.00	20:37-21:30	26	9.00
19:43-20:36	27	6.00	19:43-20:36	27	6.00	21:31-22:30	25	6.00
20:37-21:30	26	3.00	20:37-21:30	26	3.00	22:31-23:36	24	3.00
>21:30	<26	0.00	>21:30	<26	0.00	>23:36	<24	0.00

<b>Males 50-54 and Males 55+</b>			<b>Males 40-44 and Males 45-49</b>			<b>Males 50-54 and Males 55+</b>		
<b>1.5 Mile RunTime (min.)</b>	<b>VO2 (ml/kg/min) Submaximal Estimates</b>	<b>Component-Points</b>	<b>1.5 Mile RunTime (min.)</b>	<b>VO2 (ml/kg/min) Submaximal Estimates</b>	<b>Component-Points</b>	<b>1.5 Mile RunTime (min.)</b>	<b>VO2 (ml/kg/min) Submaximal Estimates</b>	<b>Component-Points</b>
>11:06	>47	50.00	<10:24	>50	50.00	>11:06	>47	50.00
11:06	47	50.00	10:24	50	50.00	11:06	47	50.00
11:07-11:24	46	47.50	10:25-10:36	49	47.50	11:07-11:24	46	47.50
11:25-11:36	45	45.00	10:37-10:54	48	45.00	11:25-11:36	45	45.00
11:37-12:12	43-44	43.50	10:55-11:24	46-47	43.50	11:37-12:12	43-44	43.50
12:13-12:54	41-42	42.00	11:25-11:54	44-45	42.00	12:13-12:54	41-42	42.00
12:55-13:36	39-40	40.50	11:55-12:30	42-43	40.50	12:55-13:36	39-40	40.50
13:37-14:24	37-38	39.00	12:31-13:12	40-41	39.00	13:37-14:24	37-38	39.00
14:25-15:18	35-36	37.50	13:13-13:36	39	37.50	14:25-15:18	35-36	37.50
15:19-15:48	34	36.00	13:37-14:24	37-38	36.00	15:19-15:48	34	36.00
15:49-16:54	32-33	34.00	14:25-15:18	35-36	34.00	15:49-16:54	32-33	34.00
16:55-17:36	31	32.00	15:19-15:48	34	32.00	16:55-17:36	31	32.00
17:37-18:12	30	30.00	15:49-16:24	33	30.00	17:37-18:12	30	30.00
18:13-18:54	29	27.00	16:25-16:54	32	27.00	18:13-18:54	29	27.00
18:55-19:42	28	24.00	16:55-17:36	31	24.00	18:55-19:42	28	24.00
19:43-20:36	27	21.00	17:37-18:12	30	21.00	19:43-20:36	27	21.00

Males 50-54 and Males 55+			Males 40-44 and Males 45-49			Males 50-54 and Males 55+		
1.5 Mile RunTime (min.)	VO2 (ml/kg/min) Submaximal Estimates	Component-Points	1.5 Mile RunTime (min.)	VO2 (ml/kg/min) Submaximal estimates	Component-Points	1.5 Mile RunTime (min.)	VO2 (ml/kg/min) Submaximal Estimates	Component-Points
20:37-21:30	26	18.00	18:13-18:54	29	18.00	20:37-21:30	26	18.00
21:31-22:30	25	15.00	18:55-19:42	28	15.00	21:31-22:30	25	15.00
22:31-23:36	24	12.00	19:43-20:36	27	12.00	22:31-23:36	24	12.00
23:37-24:48	23	9.00	20:37-21:30	26	9.00	23:37-24:48	23	9.00
24:49-26:06	22	6.00	21:31-22:30	25	6.00	24:49-26:06	22	6.00
26:07-27:36	21	3.00	22:31-23:36	24	3.00	26:07-27:36	21	3.00
>27:36	<21	0.00	>23:36	<24	0.00	>27:36	<21	0.00

**Female**

Females <25			Females 25-29		
1.5 Mile Run-Time (min.)	VO2 (ml/kg/min) Submaximal Estimates	Component-Points	1.5 Mile Run-Time (min.)	VO2 (ml/kg/min) Submaximal Estimates	Component-Points
<11:06	>47	50.00	<11:24	>46	50.00
11:06	47	50.00	11:24	46	50.00
11:07-11:36	45-46	47.50	11:25-11:36	45	47.50
11:37-11:54	44	45.00	11:37-11:54	44	45.00
11:55-12:30	42-43	43.50	11:55-12:30	42-43	43.50
12:31-13:12	40-41	42.00	12:31-13:12	40-41	42.00
13:13-14:00	38-39	40.50	13:13-14:00	38-39	40.50
14:01-14:54	36-37	39.00	14:01-14:54	36-37	39.00
14:55-15:18	35	37.50	14:55-15:18	35	37.50
15:19-15:48	34	36.00	15:19-15:48	34	36.00
15:49-16:24	33	34.00	15:49-16:24	33	34.00
16:25-16:54	32	32.00	16:25-16:54	32	32.00
16:55-17:36	31	30.00	16:55-17:36	31	30.00
17:37-18:12	30	27.00	17:37-18:12	30	27.00
18:13-18:54	29	24.00	18:13-18:54	29	24.00

Females <25			Females 25-29		
1.5 Mile Run-Time (min.)	VO2 (ml/kg/min) Submaximal Estimates	Component-Points	1.5 Mile Run-Time (min.)	VO2 (ml/kg/min) Submaximal Estimates	Component-Points
18:55-19:42	28	21.00	18:55-19:42	28	21.00
19:43-20:36	27	18.00	19:43-20:36	27	18.00
20:37-21:30	26	15.00	20:37-21:30	26	15.00
21:31-22:30	25	12.00	21:31-22:30	25	12.00
22:31-23:36	24	9.00	22:31-23:36	24	9.00
23:37-24:48	23	6.00	23:37-24:48	23	6.00
24:49-26:06	22	3.00	24:49-26:06	22	3.00
>26:06	<22	0.00	>26:06	<22	0.00

Females 30-34 and Females 35-39			Females 40-44 and Females 45-49			Females 50-54 and Females 55+		
1.5 Mile RunTime (min.)	VO2 (ml/kg/min) Submaximal Estimates	Component-Points	1.5 Mile RunTime (min.)	VO2 (ml/kg/min) Submaximal Estimates	Component-Points	1.5 Mile RunTime (min.)	VO2 (ml/kg/min) Submaximal Estimates	Component-Points
<11:54	>44	50.00	<12:30	>42	50.00	<14:24	>37	50.00
11:54	44	50.00	12:30	42	50.00	14:24	37	50.00
11:55-12:30	42-43	47.50	12:31-12:54	41	47.50	14:25-14:54	36	47.50
12:31-12:54	41	45.00	12:55-13:12	40	45.00	14:55-15:18	35	45.00
12:55-13:12	40	43.50	13:13-14:00	38-39	43.50	15:19-16:24	33-34	43.50
13:13-13:36	39	42.00	14:01-14:54	36-37	42.00	16:25-16:54	32	42.00
13:37-14:24	37-38	40.50	14:55-15:48	34-35	40.50	16:55-17:36	31	40.50
14:25-14:54	36	39.00	15:49-16:24	33	39.00	17:37-18:12	30	39.00
14:55-15:18	35	37.50	16:25-16:54	32	37.50	18:13-18:54	29	37.50
15:19-15:48	34	36.00	16:55-17:36	31	36.00	18:55-19:42	28	36.00
15:49-16:24	33	34.00	17:37-18:12	30	34.00	19:43-20:36	27	34.00
16:25-16:54	32	32.00	18:13-18:54	29	32.00	20:37-21:30	26	32.00
16:55-17:36	31	30.00	18:55-19:42	28	30.00	21:31-22:30	25	30.00
17:37-18:12	30	27.00	19:43-20:36	27	27.00	22:31-23:36	24	27.00

Females 30-34 and Females 35-39			Females 40-44 and Females 45-49			Females 50-54 and Females 55+		
1.5 Mile RunTime (min.)	VO2 (ml/kg/min) Submaximal Estimates	Component-Points	1.5 Mile RunTime (min.)	VO2 (ml/kg/min) Submaximal Estimates	Component-Points	1.5 Mile RunTime (min.)	VO2 (ml/kg/min) Submaximal Estimates	Component-Points
18:13-18:54	29	24.00	20:37-21:30	26	24.00	23:37-24:48	23	24.00
18:55-19:42	28	21.00	21:31-22:30	25	21.00	24:49-26:06	22	21.00
19:43-20:36	27	18.00	22:31-23:36	24	18.00	26:07-27:36	21	18.00
20:37-21:30	26	15.00	23:37-24:48	23	15.00	27:37-29:18	20	15.00
21:31-22:30	25	12.00	24:49-26:06	22	12.00	29:19-31:12	19	12.00
22:31-23:36	24	9.00	26:07-27:36	21	9.00	31:13-33:18	18	9.00
23:37-24:48	23	6.00	27:37-29:18	20	6.00	33:19-35:48	17	6.00
24:49-26:06	22	3.00	29:19-31:12	19	3.00	35:49-38:36	16	3.00
>26:06	<22	0.00	>31:12	<19	0.00	>38:36	<16	0.00

## Navy < 5K

---

### Workout Overview

This workout was designed by the Navy to test, evaluate, and measure fitness levels. The goal is to complete the set distance of 1.5 miles (2.4 km) in the least amount of time. The user controls the speed as needed to reach the goal. A point value will be given at the completion of the test.

Use this workout when performing the test at altitudes below 5,000 feet (1,524 meters).

### Input information:

- Age
- Weight
- Gender
- Starting Speed

### Male

			17-19	20-24	25-29	30-34
Category	Level	Component-Points	1.5 Mile Run-Time (min.)	1.5 Mile Run-Time (min.)	1.5 Mile Run-Time (min.)	1.5 Mile Run-Time (min.)
Outstanding	High	100	8:15	8:30	8:55	9:20
Outstanding	Medium	95	8:45	9:00	9:23	9:45
Outstanding	Low	90	9:00	9:15	9:38	10:00
Excellent	High	85	9:15	9:45	10:15	10:30
Excellent	Medium	80	9:30	10:00	10:30	11:00
Excellent	Low	75	9:45	10:30	10:52	11:15
Good	High	70	10:00	10:45	11:23	12:00
Good	Medium	65	10:30	11:30	12:15	13:00
Good	Low	60	11:00	12:00	12:53	13:45
Satisfactory	High	55	12:00	12:45	13:23	14:00
Satisfactory	Medium	50	12:15	13:15	13:45	14:15
Probationary		45	12:30	13:30	14:00	14:30

35-39	40-44	45-49	50-54	55-59	60-64	65+
1.5 Mile Run-Time (min.)	1.5 Mile Run-Time (min.)	1.5 Mile Run-Time (min.)	1.5 Mile Run-Time (min.)	1.5 Mile Run-Time (min.)	1.5 Mile Run-Time (min.)	1.5 Mile Run-Time (min.)
9:25	9:30	9:33	9:35	10:42	11:21	11:41
9:53	10:00	10:08	10:15	11:09	11:48	12:13

<b>35-39</b>	<b>40-44</b>	<b>45-49</b>	<b>50-54</b>	<b>55-59</b>	<b>60-64</b>	<b>65+</b>
<b>1.5 Mile Run-Time (min.)</b>	<b>1.5 Mile Run-Time (min.)</b>	<b>1.5 Mile Run-Time (min.)</b>	<b>1.5 Mile Run-Time (min.)</b>	<b>1.5 Mile Run-Time (min.)</b>	<b>1.5 Mile Run-Time (min.)</b>	<b>1.5 Mile Run-Time (min.)</b>
10:08	10:15	10:30	10:45	11:25	12:04	12:43
10:38	10:45	11:08	11:30	11:57	12:40	13:20
11:08	11:15	11:38	12:00	12:29	13:16	13:57
11:23	11:45	12:08	12:30	13:12	13:53	14:34
12:23	12:45	13:00	13:15	14:13	15:00	15:47
13:23	13:45	14:08	14:30	15:14	16:07	17:00
14:08	14:30	14:53	15:15	16:15	17:14	18:13
14:23	14:45	15:15	15:45	16:33	17:47	19:00
14:45	15:15	15:45	16:15	16:51	18:20	19:47
15:00	15:30	16:08	16:45	17:09	18:52	20:35

**Female**

			<b>17-19</b>	<b>20-24</b>	<b>25-29</b>	<b>30-34</b>
<b>Category</b>	<b>Level</b>	<b>Component-Points</b>	<b>1.5 Mile Run-Time (min.)</b>	<b>1.5 Mile Run-Time (min.)</b>	<b>1.5 Mile Run-Time (min.)</b>	<b>1.5 Mile Run-Time (min.)</b>
Outstanding	High	100	9:29	9:47	10:17	10:46
Outstanding	Medium	95	11:15	11:15	11:30	11:45
Outstanding	Low	90	11:30	11:30	11:45	12:00
Excellent	High	85	11:45	12:15	12:30	12:45
Excellent	Medium	80	12:00	12:45	13:00	13:15
Excellent	Low	75	12:30	13:15	13:23	13:30
Good	High	70	12:45	13:30	14:00	14:30
Good	Medium	65	13:00	13:45	14:30	15:15
Good	Low	60	13:30	14:15	14:53	15:30
Satisfactory	High	55	14:15	15:00	15:23	15:45
Satisfactory	Medium	50	14:45	15:15	15:45	16:15
Probationary	45	15:00	15:30	16:08	16:45	

<b>35-39</b>	<b>40-44</b>	<b>45-49</b>	<b>50-54</b>	<b>55-59</b>	<b>60-64</b>	<b>65+</b>
<b>1.5 Mile Run-Time (min.)</b>	<b>1.5 Mile Run-Time (min.)</b>	<b>1.5 Mile Run-Time (min.)</b>	<b>1.5 Mile Run-Time (min.)</b>	<b>1.5 Mile Run-Time (min.)</b>	<b>1.5 Mile Run-Time (min.)</b>	<b>1.5 Mile Run-Time (min.)</b>
10:51	10:56	10:58	11:00	12:23	13:34	14:45
11:53	12:00	12:08	12:15	13:39	14:50	16:01
12:08	12:15	12:30	12:45	13:57	15:08	16:19
12:53	13:00	13:15	13:30	14:25	15:34	16:43
13:23	13:30	13:45	14:00	14:53	16:00	17:07
13:45	14:00	14:08	14:15	15:20	16:25	17:30
14:38	14:45	15:00	15:15	16:09	17:17	18:18
15:30	15:45	15:53	16:00	16:58	18:06	19:06
15:53	16:15	16:30	16:45	17:48	18:51	19:54
16:15	16:45	16:53	17:00	18:03	19:08	20:13
16:38	17:00	17:08	17:15	18:18	19:25	20:31
17:00	17:15	17:23	17:30	18:34	19:43	20:52

## Navy > 5K

---

### Workout Overview

This workout was designed by the Navy to test, evaluate, and measure fitness levels. The goal is to complete the set distance of 1.5 miles (2.4 km) in the least amount of time. The user controls the speed as needed to reach the goal. A point value will be given at the completion of the test.

Use this workout when performing the test at altitudes above 5,000 feet (1,524 meters).

### Input information:

- Age
- Weight
- Gender
- Starting Speed

### Male

			17-19	20-24	25-29	30-34
Category	Level	Component-Points	1.5 Mile Run-Time (min.)	1.5 Mile Run-Time (min.)	1.5 Mile Run-Time (min.)	1.5 Mile Run-Time (min.)
Outstanding	High	100	9:00	9:15	9:43	10:10
Outstanding	Medium	95	9:30	9:50	10:15	10:40
Outstanding	Low	90	9:50	10:05	10:30	10:55
Excellent	High	85	10:05	10:40	11:13	11:45
Excellent	Medium	80	10:20	10:55	11:28	12:00
Excellent	Low	75	10:40	11:25	11:50	12:15
Good	High	70	10:55	11:45	12:25	13:05
Good	Medium	65	11:25	12:30	13:20	14:10
Good	Low	60	12:00	13:05	14:03	15:00
Satisfactory	High	55	13:05	13:55	14:35	15:15
Satisfactory	Medium	50	13:20	14:25	14:58	15:30
Probationary		45	13:40	14:45	15:18	15:50

35-39	40-44	45-49	50-54	55-59	60-64	65+
1.5 Mile Run-Time (min.)	1.5 Mile Run-Time (min.)	1.5 Mile Run-Time (min.)	1.5 Mile Run-Time (min.)	1.5 Mile Run-Time (min.)	1.5 Mile Run-Time (min.)	1.5 Mile Run-Time (min.)
10:15	10:20	10:23	10:25	11:46	12:29	12:51
10:48	10:55	11:03	11:10	12:16	12:59	13:26

<b>35-39</b>	<b>40-44</b>	<b>45-49</b>	<b>50-54</b>	<b>55-59</b>	<b>60-64</b>	<b>65+</b>
<b>1.5 Mile Run-Time (min.)</b>	<b>1.5 Mile Run-Time (min.)</b>	<b>1.5 Mile Run-Time (min.)</b>	<b>1.5 Mile Run-Time (min.)</b>	<b>1.5 Mile Run-Time (min.)</b>	<b>1.5 Mile Run-Time (min.)</b>	<b>1.5 Mile Run-Time (min.)</b>
11:03	11:10	11:28	11:45	12:34	13:16	13:59
11:45	11:45	12:08	12:30	13:09	13:56	14:40
12:08	12:15	12:40	13:05	13:44	14:36	15:21
12:33	12:50	13:15	13:40	14:31	15:16	16:01
13:30	13:55	14:10	14:25	15:38	16:30	17:22
14:35	15:00	15:25	15:50	16:45	17:44	18:42
15:25	15:50	16:15	16:40	17:53	18:57	20:02
15:40	16:05	16:38	17:10	18:12	19:34	20:54
16:05	16:40	17:13	17:45	18:32	20:10	21:46
16:23	16:55	17:35	18:15	18:52	20:45	22:39

**Female**

			<b>17-19</b>	<b>20-24</b>	<b>25-29</b>	<b>30-34</b>
<b>Category</b>	<b>Level</b>	<b>Component-Points</b>	<b>1.5 Mile Run-Time (min.)</b>	<b>1.5 Mile Run-Time (min.)</b>	<b>1.5 Mile Run-Time (min.)</b>	<b>1.5 Mile Run-Time (min.)</b>
Outstanding	High	100	10:20	10:40	11:13	11:45
Outstanding	Medium	95	12:15	12:15	12:33	12:50
Outstanding	Low	90	12:30	12:30	12:48	13:05
Excellent	High	85	12:50	13:20	13:38	13:55
Excellent	Medium	80	13:05	13:55	14:10	14:25
Excellent	Low	75	13:40	14:25	14:35	14:45
Good	High	70	13:55	14:45	15:18	15:50
Good	Medium	65	14:10	15:00	15:50	16:40
Good	Low	60	14:45	15:30	16:13	16:55
Satisfactory	High	55	15:30	16:20	16:45	17:10
Satisfactory	Medium	50	16:05	16:40	17:13	17:45
Probationary		45	16:20	16:55	17:35	18:15

<b>35-39</b>	<b>40-44</b>	<b>45-49</b>	<b>50-54</b>	<b>55-59</b>	<b>60-64</b>	<b>65+</b>
<b>1.5 Mile Run Time (min.)</b>	<b>1.5 Mile Run Time (min.)</b>	<b>1.5 Mile Run Time (min.)</b>	<b>1.5 Mile Run Time (min.)</b>	<b>1.5 Mile Run Time (min.)</b>	<b>1.5 Mile Run Time (min.)</b>	<b>1.5 Mile Run Time (min.)</b>
11:50	11:55	11:58	12:00	13:37	14:55	16:14
12:58	13:05	13:13	13:20	15:01	16:19	17:37
13:13	13:20	13:38	13:55	15:21	16:39	17:57
14:03	14:10	14:28	14:45	15:52	17:07	18:23
14:35	14:45	15:00	15:15	16:22	17:36	18:50
15:00	15:15	15:23	15:30	16:52	18:04	19:15
15:58	16:05	16:23	16:40	17:46	19:01	20:08
16:55	17:10	17:18	17:25	18:40	19:55	21:01
17:20	17:45	18:00	18:15	19:35	20:44	21:53
17:43	18:15	18:23	18:30	19:51	21:03	22:14
18:08	18:30	18:40	18:50	20:08	21:22	22:34
18:33	18:50	18:58	19:05	20:25	21:41	22:57

## **Marines Sea Level**

---

### **Workout Overview**

This workout was designed by the Marines to test, evaluate, and measure fitness levels. The goal is to complete the set distance of 3.0 miles (4.8 km) in the least amount of time. The user controls the speed as needed to reach the goal. A point value will be given at the completion of the test.

Use this workout when performing the test at altitudes below 4,500 feet (1,372 meters).

### **Input information:**

- Age
- Weight
- Gender
- Starting Speed

<b>Points</b>	<b>Male</b>	<b>Female</b>
	<b>3 mile run no altitude</b>	<b>3 mile run no altitude</b>
100	18:00	21:00
90	19:40	22:40
80	21:20	24:20
70	23:00	26:00
60	24:40	27:40
50	26:20	29:20
40	28:00	31:00
30	29:40	32:40
20	31:20	34:20
10	33:00	36:00

### **Required minimum score**

<b>Age</b>	<b>Unsatisfactory</b>	<b>3rd Class</b>	<b>2nd Class</b>	<b>1st Class</b>
17-26	0-134	135	175	225
27-39	0-109	110	150	200
40-45	0-87	88	125	175
46+	0-64	65	100	150

**Marines > 4.5K**

---

**Workout Overview**

This workout was designed by the Marines to test, evaluate, and measure fitness levels. The goal is to complete the set distance of 3.0 miles (4.8 km) in the least amount of time. The user controls the speed as needed to reach the goal. A point value will be given at the completion of the test.

Use this workout when performing the test at altitudes above 4,500 feet (1,372 meters).

**Input information:**

- Age
- Weight
- Gender
- Starting Speed

<b>Points</b>	<b>Male</b>	<b>Female</b>
	<b>3 mile run 4,500 feet above sea level</b>	<b>3 mile run 4,500 feet above sea level</b>
100	19:30	22:30
90	21:10	24:10
80	22:50	25:50
70	24:30	27:30
60	26:10	29:10
50	27:50	30:50
40	29:30	32:30
30	31:10	34:10
20	32:50	35:50
10	34:30	37:30
1	36:00	39:00

**Required minimum score**


<b>Age</b>	<b>Unsatisfactory</b>	<b>3rd Class</b>	<b>2nd Class</b>	<b>1st Class</b>
17-26	0-134	135	175	225
27-39	0-109	110	150	200
40-45	0-87	88	125	175
46+	0-64	65	100	150

## One Mile Test

---

### Workout Overview

The objective of this test is to monitor the development of the athlete's VO<sub>2</sub> max.

 **Note:** This workout requires the user to wear a 5 KHz Polar® or compatible heart rate transmitter belt.

### Input information:

- Age
- Weight
- Gender
- Starting Speed
- Heart rate

### Heart Rate Requirements:

Wireless heart rate transmitter

### Test procedure:

1. Record your weight
2. Walk one mile (1,609 metres) as fast as possible
3. Record the time to complete the one mile walk
4. Immediately on finishing the walk record your heart rate (beats per minute)
5. Determine your VO<sub>2</sub> max

### The formula used to calculate VO<sub>2</sub> max is:

$$132.853 - (0.0769 * \text{Weight}) - (0.3877 * \text{Age}) + (6.315 * \text{Gender}) - (3.2649 * \text{Time}) - (0.1565 * \text{Heart rate})$$

### Input values are:

- Weight is in pounds (lbs)
- Age is in years
- Gender Male = 1 and Female = 0
- Time is expressed in minutes and 100ths of minutes
- Heart rate is in beats/min

### Analysis of VO<sub>2</sub> max scores

#### Male (values in ml/kg/min)

Age	Very Poor	Poor	Fair	Good	Excellent	Superior
13-19	<35.0	35.0 - 38.3	38.4 - 45.1	45.2 - 50.9	51.0 - 55.9	>55.9
20-29	<33.0	33.0 - 36.4	36.5 - 42.4	42.5 - 46.4	46.5 - 52.4	>52.4
30-39	<31.5	31.5 - 35.4	35.5 - 40.9	41.0 - 44.9	45.0 - 49.4	>49.4

<b>Age</b>	<b>Very Poor</b>	<b>Poor</b>	<b>Fair</b>	<b>Good</b>	<b>Excellent</b>	<b>Superior</b>
40-49	<30.2	30.2 - 33.5	33.6 - 38.9	39.0 - 43.7	43.8 - 48.0	>48.0
50-59	<26.1	26.1 - 30.9	31.0 - 35.7	35.8 - 40.9	41.0 - 45.3	>45.3
60+	<20.5	20.5 - 26.0	26.1 - 32.2	32.3 - 36.4	36.5 - 44.2	>44.2

**Female (values in ml/kg/min)**

<b>Age</b>	<b>Very Poor</b>	<b>Poor</b>	<b>Fair</b>	<b>Good</b>	<b>Excellent</b>	<b>Superior</b>
13-19	<25.0	25.0 - 30.9	31.0 - 34.9	35.0 - 38.9	39.0 - 41.9	>41.9
20-29	<23.6	23.6 - 28.9	29.0 - 32.9	33.0 - 36.9	37.0 - 41.0	>41.0
30-39	<22.8	22.8 - 26.9	27.0 - 31.4	31.5 - 35.6	35.7 - 40.0	>40.0
40-49	<21.0	21.0 - 24.4	24.5 - 28.9	29.0 - 32.8	32.9 - 36.9	>36.9
50-59	<20.2	20.2 - 22.7	22.8 - 26.9	27.0 - 31.4	31.5 - 35.7	>35.7
60+	<17.5	17.5 - 20.1	20.2 - 24.4	24.5 - 30.2	30.3 - 31.4	>31.4





10 Trotter Drive, Medway, MA 02053 • 888-462-9239 • 508-533-4300 • FAX 508-533-5183

[www.cybexintl.com](http://www.cybexintl.com)