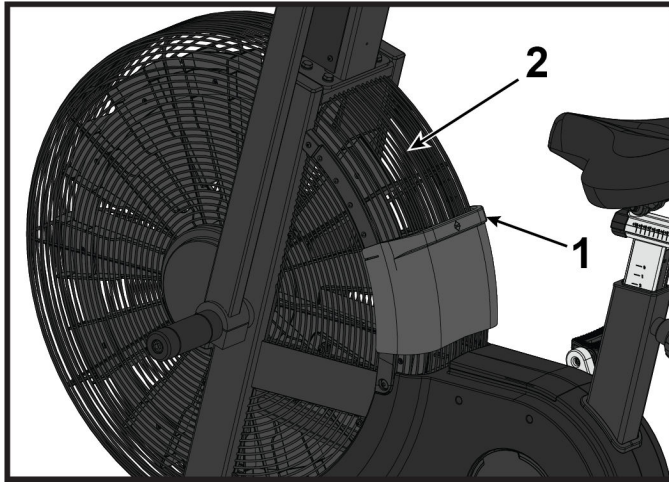


How to Adjust AirGuard

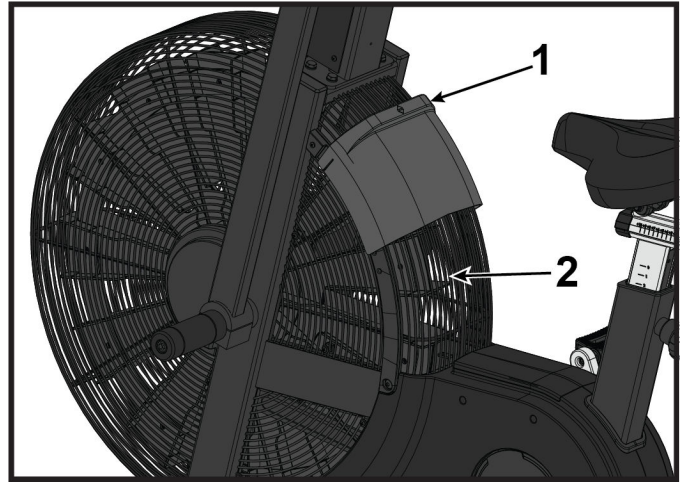
The fan offers cooling to the rider and the AirGuard adjusts the amount of airflow. Adjust air flow as needed.

To adjust airflow, grab AirGuard handle and adjust up or down. AirGuard can be adjusted to six locations.

AirGuard in lower position



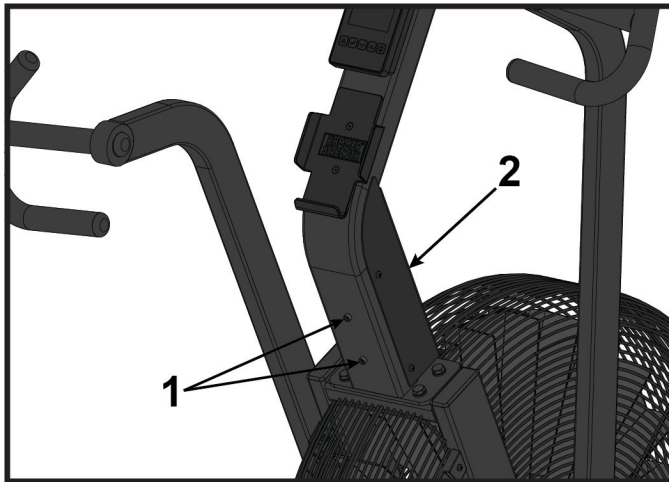
AirGuard in upper position



Item	Description	Qty
1	AirGuard handle	1
2	Fan	1

Water Bottle Holder (optional)

A standard bicycle water bottle holder can be installed on the mounting bolts on console upright. Water bottle holders are not available through Hammer Strength.



Item	Description	Qty
1	Mounting bolt	2
2	Console upright	1