

# Platform Insert Bracket Kit

Revision Date	Problem Code	Warranty		Pages	Author
December 5, 2024	29304		Parts	4	T. Sullivan
			Labor		
		X	Normal Warranty		
Document No.	1026157-0001				
Kit No.	1026805-0001				
Subject	Platform Insert Bracket Kit				

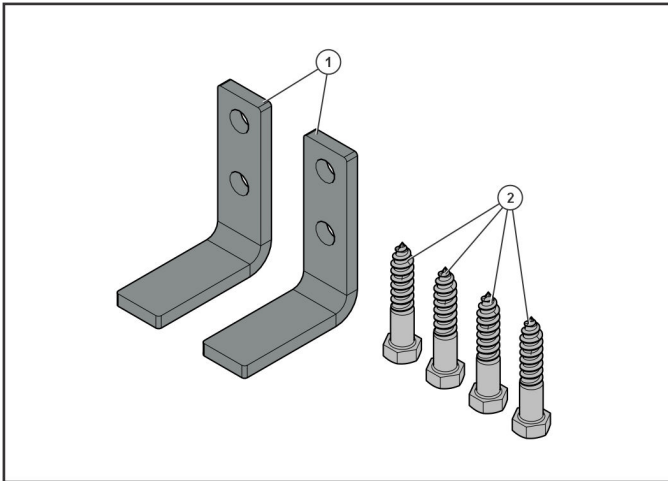
*Life Fitness proprietary and confidential information. For the use of the intended recipient only. The information and instructions in this bulletin are intended for use by skilled technicians. Warranty information is for reference only and is subject to change. Contact the local Life Fitness representative for more information.*

## Description:

If platform moves away from its rack, order and install platform insert bracket kit. One kit secures one platform/insert to one rack.

**Kit Part Number: 1026805-0001**

## Kit Contents:



Item	Description	Qty.
1	Bracket: Platform Insert-CHR	2
2	Screw: Hex Head, Lag, 3/8 X 2	4

## Tools Required

- 9/16" wrench
- 15/64" drill bit
- Center punch
- Drill
- Rubber mallet/dead blow hammer
- Safety glasses
- Tape measure
- Torque wrench

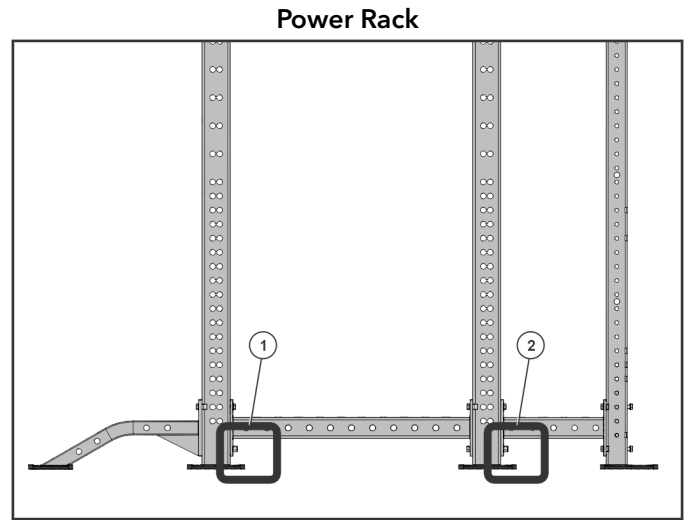
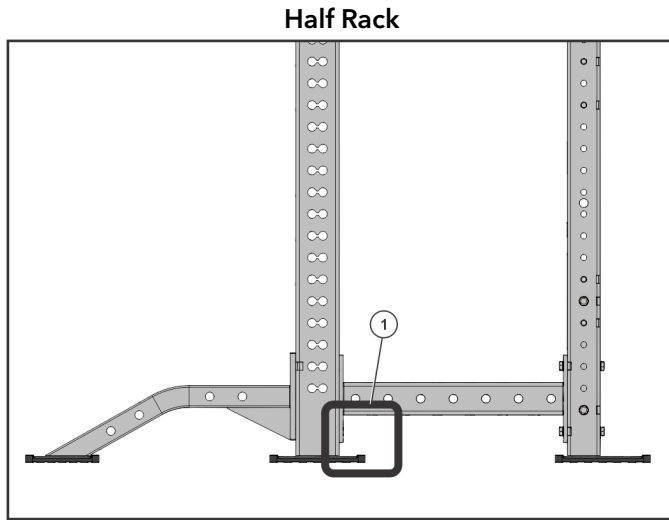
## Affected Products:

All Hammer Strength Heavy Duty Athletic and Elite iD Racks

Combo Racks		Half Racks	Power Racks
ELT-HHCR	HDW-HHCR	ELT-HR	ELT-PR
ELT-PHCR	HDW-PHCR	HDW-HR	HDW-PR
ELT-PPCR	HDW-PPCR		

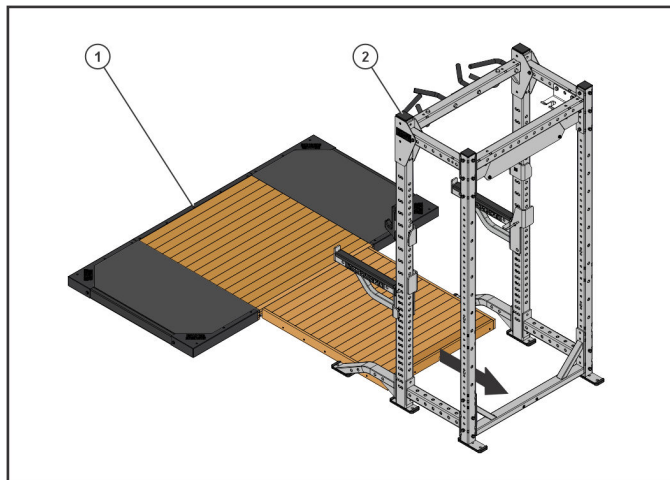
## Platform Insert Bracket Installation Instructions

- **Half Racks:** use brackets at front position.
- **Power Racks:** use brackets at front or rear positions.



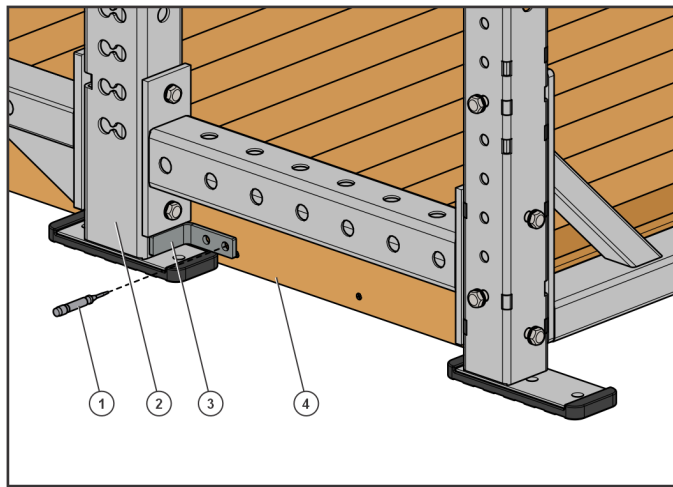
Item	Description
1	Position One (front)
2	Position Two (rear)

1. Push the platform/insert assembly into rack; leaving no gap.



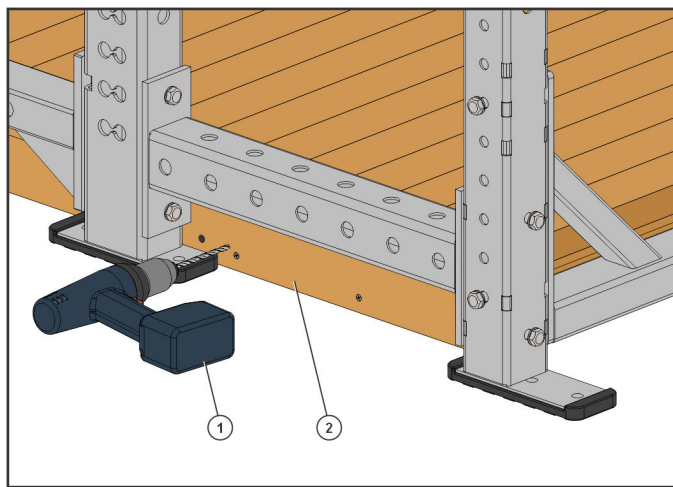
Item	Description	Qty.
1	Platform/Insert Assembly	1
2	Rack Assembly	1

2. Place the platform insert bracket against the rack upright and mark hole locations onto the platform/insert assembly.



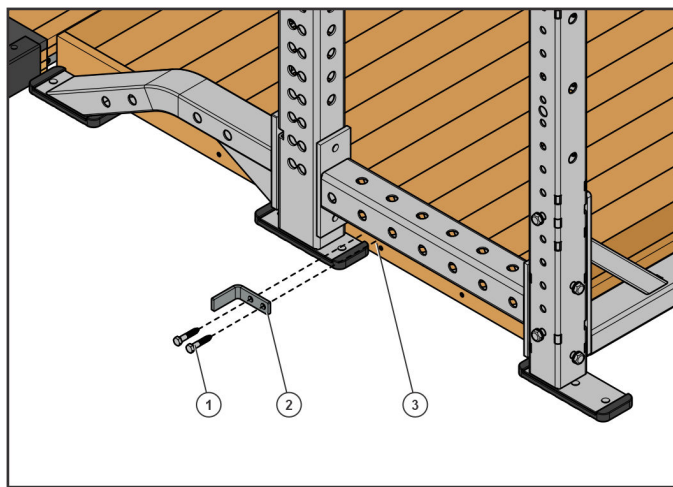
Item	Description	Qty.
1	Center Punch	1
2	Rack Upright	1
3	Platform Insert Bracket	1
4	Platform/Insert Assembly	1

3. Drill horizontal pilot holes 1-1/2" (38mm) deep into the platform/insert assembly.



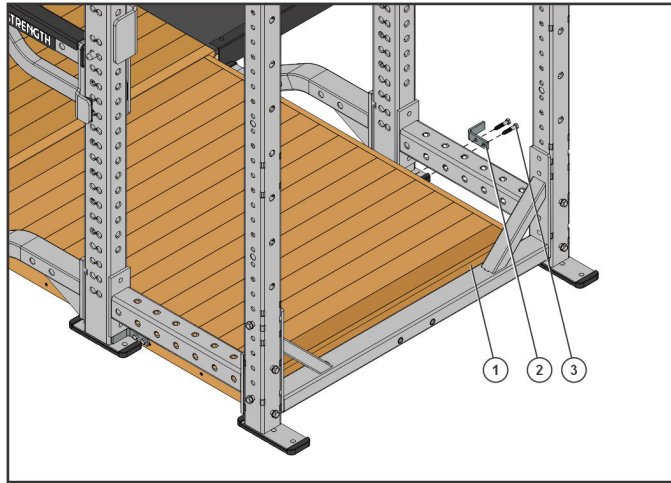
Item	Description	Qty.
1	Drill	1
2	Platform/Insert Assembly	1

4. Secure the platform insert bracket to the platform/insert assembly with the hardware and **tighten to 25-30 ft-lbs (33.9-40.6 Nm)**.



Item	Description	Qty.
1	Screw: Hex Head, Lag, 3/8 X 2	2
2	Bracket: Platform Insert-CHR	1

5. Repeat process and install platform insert bracket on other side of rack.



Item	Description	Qty.
1	Platform/Insert Assembly	1
2	Bracket: Platform Insert-CHR	1
3	Screw: Hex Head, Lag, 3/8 X 2	2

Columbia Center III - 9525 Bryn Mawr Ave., Rosemont, IL 60018 • 847-288-3300

© Copyright 2025 • Life Fitness, LLC. All Rights Reserved. Life Fitness, Hammer Strength, Cybex, ICG and SCIFIT are registered trademarks of Life Fitness, LLC and its affiliated companies and subsidiaries. Disclaimer: Images and specifications are current as of the date of publication and are subject to change.

[www.lifefitness.com](http://www.lifefitness.com) • 1026157-0001 • 2025