

Elevation and Platinum Club Series Treadmill

(95T / PCST with Discover SE3HD / ST Consoles)

Assembly Instructions



Corporate Headquarters

10601 W Belmont Ave, Franklin Park, IL 60131 • U.S.A.
847.288.3300 • FAX: 847.288.3703
Service phone number: 800.351.3737 (toll-free within U.S.A., Canada)
Global Website: www.lifefitness.com

International Offices

AMERICAS

North America

Life Fitness, LLC

10601 W Belmont Ave
Franklin Park, IL 60131 U.S.A.
Telephone: (847) 288 3300
Service Email:
customersupport@lifefitness.com
Sales/Marketing Email:
commercialsales@lifefitness.com

Brazil

Life Fitness Brasil

Av. Rebouças, 2315
Pinheiros
São Paulo, SP 05401-300
BRAZIL
SAC: 0800 773 8282 option 2
Telephone: +55 (11) 3095 5200 option 2
Service Email: suportebr@lifefitness.com
Sales/Marketing Email:
vendasbr@lifefitness.com

Latin America and Caribbean*

Life Fitness, LLC

10601 W Belmont Ave
Franklin Park, IL 60131 U.S.A.
Telephone: (847) 288 3300
Service Email:
customersupport@lifefitness.com
Sales/Marketing Email:
commercialsales@lifefitness.com

EUROPE, MIDDLE EAST, and AFRICA (EMEA)

Netherlands and Luxemburg

Life Fitness Atlantic BV

Bijdorplein 25-31
2992 LB Barendrecht
THE NETHERLANDS
Telephone: (+31) 180 646 666
Service Email:
service.benelux@lifefitness.com
Sales/Marketing Email:
marketing.benelux@lifefitness.com

United Kingdom

Life Fitness UK LTD

Queen Adelaide
Ely, Cambs, CB7 4UB
Telephone: General Office (+44)
1353.666017
Customer Support (+44) 1353.665507
Service Email: uk.support@lifefitness.com
Sales/Marketing Email: life@lifefitness.com

Germany, Austria, and Switzerland

Life Fitness Europe GMBH

Neuhofweg 9
85716 Unterschleißheim
GERMANY
Telephone:
+49 (0) 89 / 31775166 Germany
+43 (0) 1 / 6157198 Austria
+41 (0) 848 / 000901 Switzerland
Service Email:
kundendienst@lifefitness.com
Sales/Marketing Email:
vertrieb@lifefitness.com

Spain

Life Fitness IBERIA

C/Frederic Mompou 5,1ª^a
08960 Sant Just Desvern Barcelona
SPAIN
Telephone: (+34) 93.672.4660
Service Email:
servicio.tecnico@lifefitness.com
Sales/Marketing Email:
info.iberia@lifefitness.com

Belgium

Life Fitness Benelux NV

Parc Industriel de Petit-Rechain
4800 Verviers
BELGIUM
Telephone: (+32) 87 300 942
Service Email:
service.benelux@lifefitness.com
Sales/Marketing Email:
marketing.benelux@lifefitness.com

All Other EMEA Countries and Distributor Business EMEA*

Life Fitness Atlantic BV

Bijdorplein 25-31
2992 LB Barendrecht
THE NETHERLANDS
Telephone: (+31) 180 646 644
Service Email:
EMEAServiceSupport@lifefitness.com

ASIA PACIFIC (AP)

Japan

Life Fitness Japan, Ltd

4-17-33 Minami Aoyama 1F/B1F
Minato-ku - Tokyo 107-0062
Japan
Telephone: (+81) 0120.114.482
Fax: (+81) 03-5770-5059
Service Email: service.lfj@lifefitness.com
Sales/Marketing Email:
sales@lifefitnessjapan.com

Hong Kong

Life Fitness Asia Pacific LTD

26/F, Global Trade Square
21 Wong Chuk Hang Road
Wong Chuk Hang
Hong Kong
Telephone: (+852) 25756262
Fax: (+852) 25756894
Service Email: service.hk@lifefitness.com
Sales/Marketing Email:
hongkong.sales@lifefitness.com

All Other Asia Pacific countries and distributor business Asia Pacific*

Life Fitness Asia Pacific LTD

26/F, Global Trade Square
21 Wong Chuk Hang Road
Wong Chuk Hang
Hong Kong
Telephone: (+852) 25756262
Fax: (+852) 25756894
Service Email: service.hk@lifefitness.com
Sales/Marketing Email:
hongkong.sales@lifefitness.com

*Also check www.lifefitness.com for local representation or distributor/dealer

User and Service Documents Link

<https://lifefitness9512.zendesk.com/hc/en-us>

<https://www.lftechsupport.com/web/document-library/documents>

Additional information is available online using the links above.

تتوفر معلومات إضافية على الإنترنت باستخدام الرابط أعلاه.

点击上面的链接可在线获取更多信息。

Flere oplysninger er tilgængelige online gennem linket ovenfor.

Bijkomende informatie is online beschikbaar via bovenstaande link.

Vous trouverez plus d'informations en ligne à l'aide du lien ci-dessus.

Zusätzliche Informationen finden Sie online über den oben angegebenen Link.

Ulteriori informazioni sono disponibili online utilizzando il link sopra riportato.

追加情報は上記リンクを使用してオンラインで利用可能です。

상기 링크를 통해 온라인에서 추가 정보를 볼 수 있습니다.

Informações adicionais estão disponíveis on-line, através do link acima.

Дополнительная информация доступна в интернете по ссылке, указанной выше.

Mediante el enlace anterior podrá acceder a información adicional en línea.

Ytterligare information finns online genom att använda länken ovan.

İnternet üzerinden daha fazla bilgi edinmek için yukarıdaki bağlantıyı kullanabilirsiniz.

هناك معلومات إضافية متاحة على الإنترنت باستخدام الرابط أعلاه.

Informazio osagarria eskuragarri dago goiko estekaren bidez.

Допълнителна информация можете да намерите онлайн, като използвате връзката по-горе.

Mitjançant l'enllaç anterior podreu accedir a informació addicional en línia.

使用上面的連結線上提供額外資訊。

Dodatne informacije možete pronaći na internetu sljedeći vezu iznad.

ከላይ የተመጠውን አገናኝ(ሊንክ) በመጠቀም መረጃዎች አንላይን ያገኛሉ።

Lisätietoja on saatavissa verkosta käyttämällä yllä olevaa linkkiä.

Wubetumi anya nsem afoforo aka ho wa websait so denam asem a ewa atifi ho a wubemia so so.

Πρόσθετες πληροφορίες είναι διαθέσιμες online χρησιμοποιώντας το σύνδεσμο παραπάνω.

מידע נוסף אפוא רש בקבל באינטרנט באמצעות הקישור לעיל.

További információ elérhető online, a fenti hivatkozás segítségével.

Viðbótarupplýsingar eru fáanlegar á netinu með því að smella á tengilinn hér fyrir ofan.

Plus indicium per superum situm potes invenire.

മുകളിലുള്ള ലിങ്ക് ഉപയോഗിച്ച് ഓൺലൈനിൽ കൂടുതൽ വിവരങ്ങൾ ലഭ്യമാണ്.

Ytterligere informasjon er tilgjengelig på nettet via linken ovenfor.

Dodatkowe informacje są dostępne online pod powyższym odnośnikiem.

Informações adicionais estão disponíveis online a usar o link acima.

Informații suplimentare sunt disponibile online, utilizând link-ul de mai sus.

Dodatne informacije dostupne su na mreži putem gornjeg linka.

Ďalšie informácie sú dostupné online na vyššie uvedenom odkaze.

Table of Contents

Getting Started

Safety Instructions.....	4
Consignes de Sécurité.....	6
Set-Up.....	8
Electrical Power Requirements.....	8
Grounding Instructions.....	8
How to Position and Stabilize the Treadmill.....	9
Safety Clearances.....	9
Power Switch.....	9
Turning the Unit On.....	10
Stride Sensor Auto-Shutoff System.....	10
Cable TV Hook-Up.....	10
Immobilization Method - Discover Console.....	11

Product Overview

Product Features.....	12
Mounting and Dismounting the Treadmill.....	13
User Position.....	13
Using and Testing the Emergency Stop System.....	13

Service and Technical Data

Preventive Maintenance Tips.....	14
Approved and Compatible Cleaners.....	14
Preventive Maintenance Schedule.....	14
Troubleshooting the Treadmill.....	15
Troubleshooting the Polar® Heart Rate Chest Strap.....	17
How To's.....	17

Assembly

Hardware and Required Tools.....	20
Attach Line Cord to Base.....	21
Remove Motor Cover.....	22
Attach Uprights.....	23
Secure Bridge Assembly to Uprights.....	23
Secure Console Mounting Bracket to Bridge Assembly.....	24
Secure Hardware into Ergo Bar Assembly.....	24
Connect Base Power/Communication Cable.....	24
Attach Bridge Top Cover.....	25
Attach Outer Handrail Covers.....	26
Attach Inner Handrail Covers.....	26
Attach Bridge Bottom Cover.....	26
Attach Console Neck Spacer.....	27
Attach Activity Zone.....	27
Base to Console Cable Connections.....	27
Attach Console and Console Rear Shroud Assembly.....	28
Attach Lower Frame Extrusion Assemblies.....	29
Attach Lower Extrusion Spacer.....	30

Secure Upright Covers to Uprights.....	31
Attach Rear End Caps.....	31
Reattach Motor Cover.....	31
Insert Cup Holders and Handrail Grommets.....	32
Install Coaxial and Ethernet Cables.....	32

Specifications

Warranty

What is Covered.....	34
Who is Covered.....	34
How Long It is Covered.....	34
Who Pays Transportation and Insurance For Service.....	34
What We Will Do To Correct Covered Defects.....	34
What is Not Covered.....	34
What You Must Do.....	34
How to Get Parts and Service.....	34
Exclusive Warranty.....	34
Changes in Warranty Not Authorized.....	35
Effects of State Laws.....	35
Terms of Warranty Coverage.....	35

Life Fitness® is a registered trademark.

Gym Wipes® is a registered trademark of the 2XL Corporation. PureGreen 24 is a trademark of Pure Green.

© Copyright 2022, Life Fitness, LLC. All Rights Reserved. Life Fitness, Hammer Strength, Cybex, ICG and SCIFIT are registered trademarks of Life Fitness, LLC and its affiliated companies and subsidiaries. Disclaimer: Images and specifications are current as of the date of publication and are subject to change.













10601 W Belmont Ave, Franklin Park, IL 60131 • 847-288-3300

www.lifefitness.com • M051-00K92-0000 GB • 2022

1. Getting Started


Safety Instructions


 Read all instructions before use.


-  **CAUTION:** Any changes or modifications to this equipment could void the product warranty.
 -  **CAUTION:** Risk of injury to persons – to avoid injury, use extreme caution when stepping onto or off of a moving belt. Read assembly instruction manual before using.
 -  **WARNING:** Health-related injuries may result from incorrect or excessive use of exercise equipment. Life Fitness Family of Brands STRONGLY recommends seeing a physician for a complete medical exam before undertaking an exercise program, particularly if the user has a family history of high blood pressure or heart disease, is over the age of 45, smokes, has high cholesterol, is obese, or has not exercised regularly in the past year. If, at any time while exercising, the user experiences faintness, dizziness, pain, or shortness of breath, he or she must stop immediately.
 -  **WARNING:** To reduce the risk of burns, fire, electric shock, or injury, it is imperative to connect each product to a properly grounded electrical outlet.
 -  **WARNING:** Heart rate monitoring systems may be inaccurate. Over exercising may result in serious injury or death. If you feel faint, stop exercising immediately.
 -  **WARNING:** Do not use for stretching and do not attach straps or other devices.
 -  **WARNING:** Keep batteries out of reach of children.
- Some chest straps may contain a removable battery.
- Swallowing may lead to serious injury in as little as 2 hours or death, due to chemical burns and potential perforation of the esophagus.
 - If you suspect your child has swallowed a battery, immediately call your local poison control for fast, expert advice.
 - Examine devices and make sure the battery compartment is correctly secured, e.g. that the screw or other mechanical fastener is tightened. Do not use if compartment is not secure.
 - Dispose of used button batteries immediately and safely. Flat batteries can still be dangerous.
 - Tell others about the risk associated with button batteries and how to keep their children safe.
-  **WARNING:** Keep the area 6.5 ft. (2 m) by 3 ft. (0.9 m) behind the treadmill clear of any obstructions, including walls, furniture, and other equipment. Contact Customer Support Services for an optional longer power cord if necessary.
 -  **WARNING:** Be sure the emergency stop lanyard is clipped to the user and in proper position on the treadmill before beginning any workout.
 -  **WARNING:** The belt centering adjustment must be performed if the belt is not between the marks indicating the maximum allowed lateral positions. Refer to Treadmill Assembly Instructions.
 -  **WARNING:** This product can expose you to chemicals including Crystalline Silica, which is known to the State of California to cause cancer. For more information go to <http://www.P65Warnings.ca.gov>
 -  **DANGER:** To reduce the risk of electrical shock or injury from moving parts, always unplug product before cleaning or attempting any maintenance activity.
- Life Fitness Family of Brands does not warrant nor guarantee that component parts used in the manufacture of products offered under the Life Fitness Family of Brands are latex-free. Users of these products must take all necessary precautions to prevent accidental contact that could lead to an adverse latex reaction.
 - Never operate the product if it has a damaged power cord or electrical plug, or if it has been dropped, damaged, or even partially immersed in water. Contact Customer Support Services.
 - Position the product so that the power cord plug to the wall is accessible to the user. Make sure that the power cord is not knotted or twisted and that it is not trapped under any equipment or other objects.
 - If the electrical supply cord is damaged, it must be replaced by the manufacturer, an authorized service agent, or a similarly qualified person to avoid a hazard.
 - Always follow the console instructions for proper operation.
 - This appliance is not intended for use by persons (including children) with reduced physical, sensory, or mental capabilities, or lack of experience or knowledge unless they have supervision or been given instruction concerning the use of the appliance by a person responsible for their safety.
 - Do not use this product outdoors, near swimming pools or in areas of high humidity.


- Never operate the product with the air openings blocked. Keep air openings free of lint, hair, or any other obstructing material.
- Never insert objects into any opening in these products. If an object should drop inside, turn off the power, unplug the power cord from the outlet, and carefully retrieve it. If the item cannot be reached, contact Customer Support Services.
- Never place liquids of any type directly on the unit, except in an accessory tray or holder. Containers with lids are recommended.
- Do not use these products in bare feet. Always wear shoes. Wear shoes with rubber or high-traction soles. Do not use shoes with heels, leather soles, cleats or spikes. Make sure no stones are embedded in the soles.
- Keep all loose clothing, shoelaces, and towels away from moving parts.
- Do not reach into, or underneath, the unit or tip it on its side during operation.
- This equipment is not intended for use by children. Keep children under the age of 14 away from the machine.
- Do not allow other people to interfere in any way with the user or equipment during a workout.
- Allow LCD consoles to “normalize” with respect to temperature for one hour before plugging the unit in and using.
- When the product is not in use, Life Fitness recommends unplugging the product. Disconnect from the electrical outlet when not in use, and before putting on or taking off parts. To disconnect, turn power OFF at the ON/OFF switch, then remove plug from electrical outlet.
- Keep the power cord away from heated surfaces. Do not pull the equipment by the power cord or use the cord as a handle. Do not run the power cord on the floor under or along the side of the treadmill.
- Handrails may be held to enhance stability as needed, but are not for continuous use.
- Never mount or dismount the treadmill while the running belt is moving. Use the handrails whenever additional stability is required. In case of an emergency, such as tripping, grasp the handrails, and place the feet on the side platforms.
- Never walk or jog backwards on the treadmill.
- Do not use this product in areas where aerosol spray products are being used or where oxygen is being administered. Such substances create the danger of combustion and explosion.
- Use these products for their intended use as described in this manual. Do not use attachments that have not been recommended by the manufacturer.
- In conformity with the European Union Machinery Directive 2006/42/EC, this equipment unloaded runs at sound pressure levels below 70 dB (A) at the average operating speed of 12 km/hr (commercial units) and 8 km/hr (home units). Noise emission under load is higher than without load.
- Free standing equipment shall be installed on a stable and leveled surface.
- Read all warnings on each product prior to starting a workout.
- If warnings are missing or damaged, please contact Customer Support Services immediately for replacement warning labels. Warning labels are shipped with every product and should be installed before product is used. Life Fitness Family of Brands is not responsible for missing or damaged warning labels.


Consignes de Sécurité


 Veuillez lire toutes les instructions avant usage.

 **AVERTISSEMENT :** Une utilisation incorrecte ou excessive de l'appareil peut entraîner des blessures. Life Fitness Family of Brands Recommande VIVEMENT aux utilisateurs de passer un examen médical complet avant d'entamer un programme d'entraînement, et tout particulièrement dans les cas suivants : antécédents familiaux d'hypertension (pression sanguine trop élevée) ou de pathologies cardiaques, utilisateurs de 45 ans ou plus, tabagisme, hypercholestérolémie (taux de cholestérol sanguin trop élevé), obésité, absence d'exercice physique depuis un an ou plus. Si, pendant l'usage de l'appareil, l'utilisateur éprouve un malaise, des vertiges, des douleurs ou des difficultés à respirer, il doit s'arrêter immédiatement.

 **ATTENTION :** Toute modification apportée à cet équipement pourrait en annuler la garantie.

 **DANGER :** Pour réduire les risques de chocs électriques ou de blessures en raison des pièces mobiles, débranchez toujours les produits avant de les nettoyer ou de procéder aux tâches d'entretien.

 **AVERTISSEMENT :** Pour réduire les risques de brûlures, d'incendies, de décharges électriques ou de blessures, il est essentiel de brancher chaque appareil sur une prise électrique correctement mise à la terre.


 **AVERTISSEMENT :** Les systèmes de surveillance de la fréquence cardiaque peuvent être inexacts. Un exercice trop intensif peut entraîner des blessures graves, voire mortelles. En cas de malaise, interrompez immédiatement l'exercice.


 **AVERTISSEMENT :** Ne pas utiliser pour des étirements et ne pas y attacher des sangles ou autres dispositifs.


 **AVERTISSEMENT :** Tenir les piles hors de portée des enfants.


Certaines sangles de poitrine peuvent contenir une pile jetable.

- L'ingestion de la pile peut provoquer des blessures graves voire la mort en moins de 2 heures en raison du risque de brûlures chimiques et de perforation de l'œsophage.
- Si vous pensez que votre enfant a avalé une pile, contactez immédiatement le centre anti-poison local pour obtenir des conseils spécifiques.
- Contrôlez l'appareil et assurez-vous que le compartiment pour pile est bien fermé, par exemple que la vis ou toute autre fixation mécanique est bien serrée. Ne pas utiliser le produit si le compartiment n'est pas bien fermé.
- Éliminer les piles bouton immédiatement et de manière sûre. Les piles bouton sont une source de danger.
- Informez les tiers des risques associés aux piles bouton et de la manière dont ils doivent agir pour protéger leurs enfants.

 **AVERTISSEMENT :** Laissez un espace de 2 m sur 90 cm autour de la machine. Ne placez pas cette dernière près de murs, meubles ou autres équipements qui pourraient en obstruer l'accès. Contactez le service à la clientèle pour obtenir un cordon plus long au besoin.

 **AVERTISSEMENT :** Avant de commencer tout exercice, il convient de s'assurer que le cordon de sécurité est bien fixé à l'utilisateur et correctement placé sur le tapis de course.

 **AVERTISSEMENT :** La surface de course doit être recentrée si elle ne se situe pas entre les marques indiquant les positions latérales maximales autorisées. Consultez les instructions d'assemblage du tapis de course.

 **ATTENTION :** Risque de blessures - pour éviter toute blessure, faire preuve d'extrême prudence pour monter sur un tapis en mouvement, ou pour en descendre. Lisez les instructions d'assemblage avant toute utilisation.

- Ne faites jamais fonctionner le produit dont la fiche ou le cordon d'alimentation sont altérés ni aucun appareil qui serait tombé, aurait été endommagé ou même partiellement plongé dans l'eau. Contactez le service à la clientèle.
- Placez l'appareil de façon à ce que l'utilisateur ait accès à la fiche du cordon d'alimentation. Assurez-vous que le cordon d'alimentation n'est pas noué ou tordu et qu'il n'est pas coincé sous un autre appareil ou sous tout autre objet.
- Si le cordon d'alimentation électrique est endommagé, il doit être remplacé par le fabricant, par un réparateur agréé ou par une personne qualifiée afin d'éviter tout danger.
- Pour un fonctionnement correct, suivez toujours les instructions de la console.
- Cet appareil n'est pas destiné à être utilisé par des personnes ou des enfants présentant des capacités physiques, sensorielles ou mentales réduites, ou un manque d'expérience et de connaissances, sauf en cas de supervision ou d'instructions relatives à son utilisation par une personne responsable de leur sécurité.
- N'utilisez pas ce produit à l'extérieur, près d'une piscine ou dans des endroits très humides.
- N'utilisez jamais le produit avec les ouvertures d'air bloquées. Maintenez les bouches d'aération exemptes de peluches, de cheveux ou de toute autre obstruction.

- N'introduisez jamais d'objet dans les ouvertures de cet appareil. Si un objet tombe dans l'appareil, mettez ce dernier hors tension, débranchez le cordon d'alimentation et récupérez l'objet avec précaution. Si vous ne pouvez pas l'atteindre, contactez le service d'assistance à la clientèle.
- Ne placez jamais de liquides d'aucune sorte directement sur l'appareil, sauf si vous disposez d'un support ou d'un plateau pour accessoires. Nous vous recommandons de n'utiliser que des récipients pourvus d'un couvercle.
- N'utilisez pas ces produits avec les pieds nus. Portez toujours des chaussures. Portez des chaussures à semelles en caoutchouc ou antidérapantes. N'utilisez pas de chaussures à talon, à semelle en cuir, à crampons ou à pointes. Assurez-vous qu'aucun caillou ne s'est incrusté dans les semelles.
- Éloignez les vêtements amples, les lacets de chaussure et les serviettes des parties mobiles de l'appareil.
- Ne placez pas les mains à l'intérieur ou sous l'appareil. Ne le faites pas basculer sur le côté durant son fonctionnement.
- Cet équipement n'est pas destiné à être utilisé par les enfants. Tenez les enfants âgés de moins de 14 ans à l'écart de la machine.
- Ne laissez aucune personne gêner l'utilisateur ou le fonctionnement de l'appareil pendant l'exercice.
- Laissez les consoles LCD s'adapter à la température ambiante pendant une heure avant de brancher l'appareil et de l'utiliser.
- Life Fitness recommande de débrancher le produit quand il n'est pas utilisé. Débranchez-le systématiquement après son utilisation et avant l'ajout et le retrait de pièces. Pour débrancher l'appareil, placez l'interrupteur de marche/arrêt sur **ARRÊT** et ôtez la prise électrique du mur.
- Maintenez le cordon d'alimentation à l'écart des surfaces chauffées. Ne tirez pas l'appareil par son cordon et n'utilisez pas celui-ci comme une poignée. Ne faites pas passer le cordon sur le sol, sous le tapis de course, ni le long de l'appareil.
- Les barres d'appui latérales peuvent servir à améliorer la stabilité, le cas échéant, mais elles ne sont pas conçues pour être utilisées de façon continue.
- Ne montez ni ne descendez jamais du tapis de course lorsque celui-ci est en mouvement. Le cas échéant, utilisez les barres latérales pour renforcer votre stabilité. En cas d'urgence, si vous trébuchez par exemple, saisissez les barres latérales et placez les pieds sur les plates-formes latérales.
- Ne reculez jamais sur le tapis, que ce soit en marchant ou en courant.
- N'utilisez pas l'appareil en présence d'aérosols ou en cas d'administration d'oxygène. Ces substances pourraient entraîner des risques d'incendie et d'explosion.
- Le système provoque une immobilisation du tapis de course lorsqu'une séquence de touches de clavier prédéfinie est activée. Cette séquence est activée en appuyant 3 fois sur la touche **ARRÊT** puis 3 fois sur la **TOUCHE FLÉCHÉE RALENTIR**. Pour éviter un basculement accidentel de la fonctionnalité d'immobilisation, cette séquence doit être effectuée dans une période comprise entre 5 et 10 secondes.
- Utilisez cet équipement uniquement aux fins auxquelles il est destiné et de la manière décrite dans le présent manuel. N'utilisez pas d'accessoires non recommandés par le fabricant.
- Conformément à la directive Machines 2006/42/EC de l'Union européenne, à vide, cet équipement sans charge fonctionne à des niveaux de pression acoustique inférieurs à 70 dB(A) à une vitesse de fonctionnement moyenne de 12 km/h (gamme commerciale) et 8 km/h (gamme domestique). L'émission sonore sous charge est plus élevée que sans charge.
- L'appareil utilisé de manière autonome doit être installé sur une surface stable et plane.
- Lisez les avertissements sur chaque produit avant de commencer à vous entraîner.
- Si certaines étiquettes d'avertissement sont manquantes ou endommagées, contactez immédiatement le service d'assistance à la clientèle. Nous vous en fournirons de nouvelles. Les étiquettes d'avertissement sont expédiées avec les appareils et doivent être installées avant utilisation de ces derniers. Life Fitness Family of Brands n'est pas responsable des étiquettes manquantes ou endommagées.

Set-Up

Read the entire manual before setting up the treadmill. Place the treadmill where it will be used before beginning the setup procedure.

Electrical Power Requirements

The treadmill requires a dedicated* line with isolated neutral according to the electrical configurations listed in the chart below.

- Units with Discover consoles require a 24 VDC power supply.

Console	Supply Voltage	Frequency	Output Voltage	Output Current
Discover SE3HD and ST Consoles	95 - 264 VAC	47 - 63 Hz	24 VDC	2.5 A


Supply Voltage	Frequency (Hz)	Commercial Units Outlet & Breaker (Amps)	Consumer / Home Units Outlet & Breaker (Amps)
100 / 120	50 / 60	20	15
200 / 220 / 230 / 240	50 / 60	10	10


* **Commercial Units Only:** One individual branch circuit for each treadmill per NEC article 210-21 (b) (1) and 210-22 (or other appropriate, country specific electrical compliance guidelines). The hot and neutral wires must each be routed independently (not looped or tied to other circuits).


NOTE: Do not modify the plug provided with this product. If the plug does not fit into an available electrical outlet, have a proper outlet installed by a qualified electrician.


Grounding Instructions


This product must be properly grounded. If the unit malfunctions or breaks down, proper grounding provides a path of least resistance for the electric current, which reduces the risk of shock to anyone touching or using the equipment. Each unit is equipped with an electrical cord, which includes an equipment grounding conductor and a grounding plug. The plug must be inserted into an outlet that has been properly installed and grounded in accordance with all local codes and ordinances.


 **WARNING:** A temporary adapter **MUST NOT BE USED** to connect this plug to a two-pole receptacle in North America. If a properly grounded, 20-amp outlet is not available, one must be installed by a qualified electrician. Models drawing 16 amps or more must be installed on a dedicated line. (Commercial Units Only).

 **AVERTISSEMENT :** Si vous êtes aux États-Unis, n'utilisez PAS d'adaptateur temporaire pour raccorder la fiche à un adaptateur bipolaire. Si aucune prise de 20 A correctement mise à la terre n'est disponible, il convient d'en faire installer une par un électricien qualifié. Les modèles utilisant 16 A ou plus doivent être installés sur des lignes qui leur sont réservées. (Gamme commerciale uniquement).

 **WARNING:** A temporary adapter **MUST NOT BE USED** to connect this plug to a two-pole receptacle in North America. If a properly grounded, 15-amp outlet is not available, one must be installed by a qualified electrician. (Consumer Units Only).

 **AVERTISSEMENT :** Si vous êtes aux États-Unis, n'utilisez PAS d'adaptateur temporaire pour raccorder la fiche à un adaptateur bipolaire. Si aucune prise de 15 A correctement mise à la terre n'est disponible, il convient d'en faire installer une par un électricien qualifié. (Gamme grand public uniquement).

 **DANGER:** A risk of electrical shock may result from improper connection of the equipment-grounding conductor. Check with a qualified electrician if in doubt as to proper grounding technique. **DO NOT** modify the plug provided with the product. If it will not fit an electrical outlet, have a proper outlet installed by a qualified electrician. Any modification to the electrical plug will result in a voided warranty.

 **DANGER :** Un branchement incorrect du conducteur de mise à la terre de l'équipement peut entraîner des risques de décharges électriques. Consultez un électricien si des doutes subsistent quant à la technique de mise à la terre. **NE MODIFIEZ PAS** la fiche fournie avec l'appareil. Si cette dernière n'entre pas dans la prise, faites effectuer l'installation par un technicien qualifié. Toute modification de la fiche entraînerait une annulation de la garantie.

How to Position and Stabilize the Treadmill

Follow all safety instructions. Move the treadmill to the location in which it will be used.

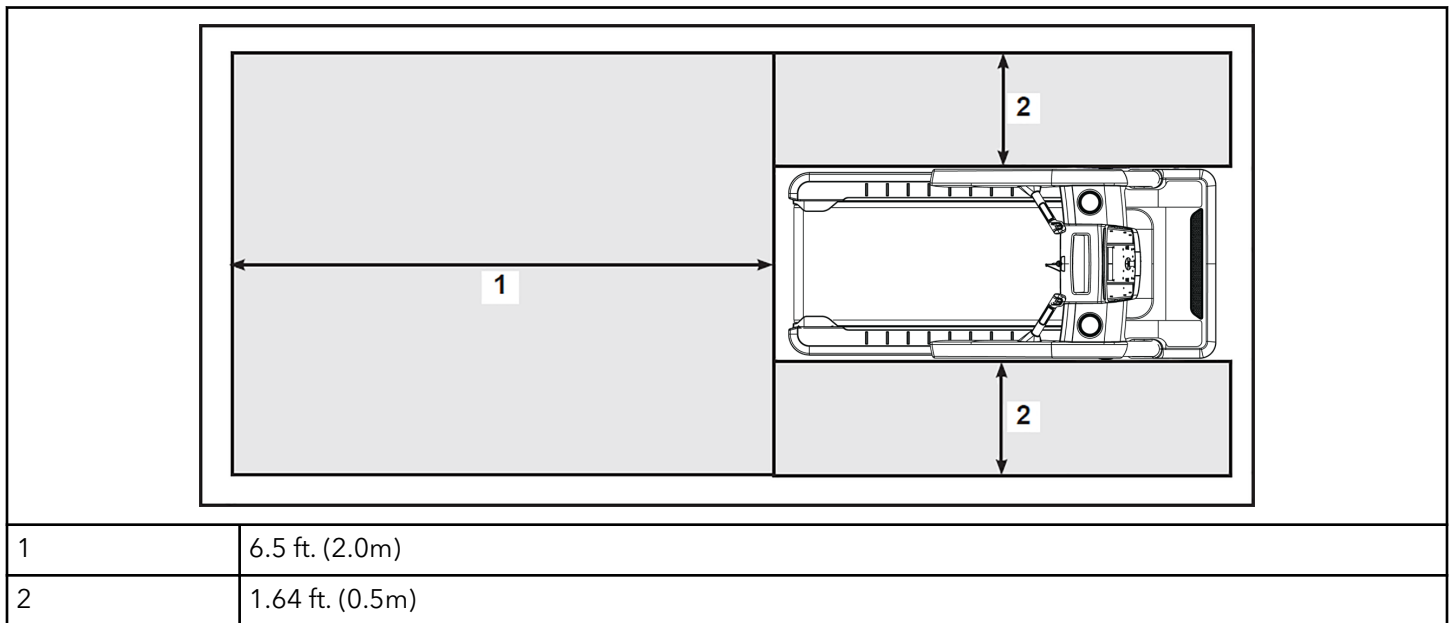
NOTE: See *How to Adjust and Tension the Striding Belt* to center the striding belt.

Safety Clearances

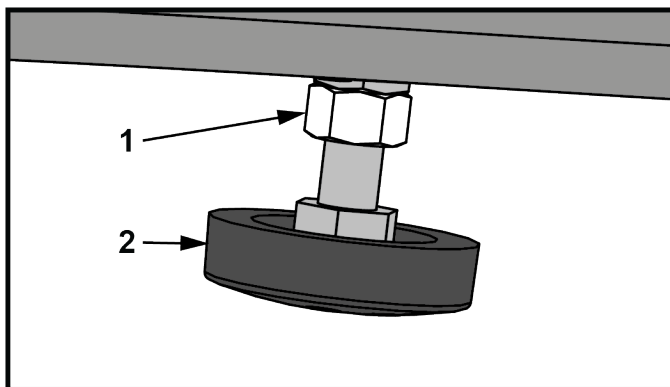
The following information is supplied as regional reference data regarding safety clearances around the exterior of the treadmill.

- **EU:** The European EN ISO 20957 Safety Standard requires a 6.5 ft. (2 m) minimum from the rear of the treadmill to any object or surface and at least as wide as the treadmill.
- **U.S. and other regions:** The ASTM International (ASTM) F2115 - 12 Standard recommends the minimum dimensions to be 1.64 ft. (0.5 m) on each side of the treadmill and 6.5 ft. (2 m) behind the rearward most portion of the usable moving surface or 6.5 ft. (2 m) behind the furthest rearward obstruction to emergency egress from the treadmill.

Free area



After placing the unit where it will be used, check its stability. If there is even a slight rocking motion or the unit is not stable, determine which stabilizing leg is not resting on the floor. To adjust, loosen the Jam Nut, and turn the Stabilizing Leg until the rocking motion ceases, and both stabilizing legs rest firmly on the floor. Retighten the Jam Nut.



Item	Description
1	Jam Nut
2	Stabilizing Leg

NOTE: It is extremely important that the stabilizing leg be correctly adjusted for proper operation. An unbalanced unit may cause striding belt misalignment. A bubble level is recommended to ensure proper leveling.

Power Switch

Located on the front panel at the base of the treadmill, the ON/OFF switch has two positions: "I" (one) for ON and "0" (zero) for OFF.

Turning the Unit On

To turn the treadmill on, locate the ON/OFF power switch at the front of the treadmill and turn it ON.

Stride Sensor Auto-Shutoff System

The Stride Sensor auto-shutoff system detects whether a user is on the belt/deck. If the user leaves the belt/deck during a workout, the system is triggered and the following message is displayed, `User not detected on belt - press "OK" to continue workout`. If the user presses **OK** during this message the workout will continue without interruption. If the user does not press **OK** another message will be displayed, `User not detected on belt; RESUME WORKOUT / EXIT WORKOUT`. At this point power to the belt will shut off as the treadmill enters Pause mode. If the user presses **RESUME WORKOUT** during the second message the workout will be resumed. If the user does not press **RESUME WORKOUT**, the treadmill will continue in Pause mode and eventually end the workout. This feature can be disabled in the Manager's Configuration.

Cable TV Hook-Up

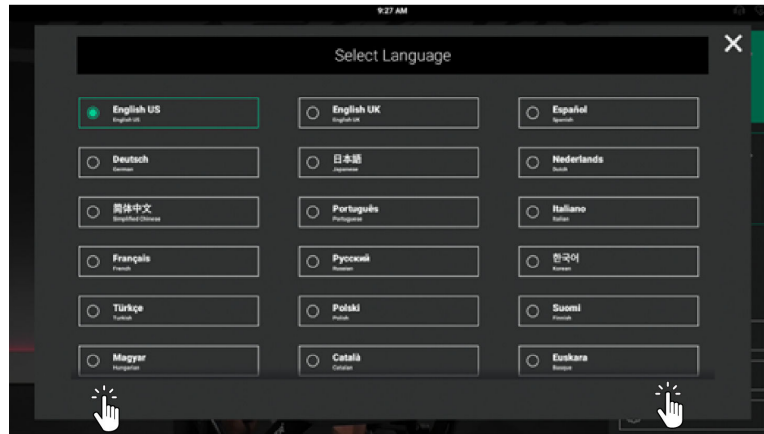
The console can receive both analog and digital signals. Life Fitness is not responsible for the installation of CATV service or components required for the delivery of CATV service. An external TV signal input via a 75-ohm coaxial cable must be present before TV setup can occur.

Note to the CATV Installer: This reminder is provided to call the CATV system installer's attention to Article 820-40 of the NEC that provides guidelines for proper grounding and, in particular, specifies that the cable ground shall be connected to the grounding system of the building as close to the point of cable entry as practical.

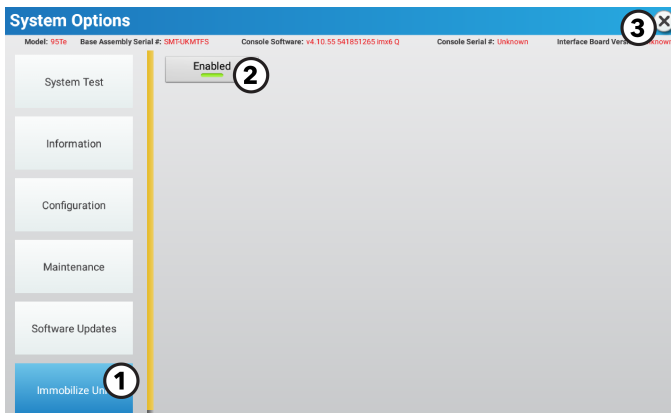
Immobilization Method - Discover Console

The purpose of immobilizing the treadmill is to prevent unauthorized use. The system causes immobilization of the treadmill when activated.

1. Tap the **LANGUAGE** icon to access the **SELECT LANGUAGE** screen.
2. Tap the lower part of the screen in the following sequence: **Lower-Left, Lower-Right, Lower-Left, and Lower-Right**.

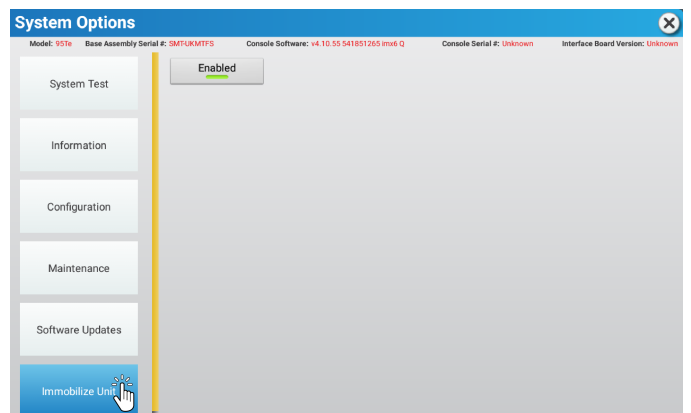


3. Tap the **Immobilize Unit** icon. **Enabled** will be displayed.



Item	Description
1	Immobilize Unit icon
2	Enabled icon
3	Exit icon

4. Tap the exit icon **X** to exit **System Options**.
5. Unit will shutdown.
6. **UNIT IMMOBILIZED BY MANAGER** message appears on screen.
7. Tap the upper part of the **ATTRACT SCREEN** in the following sequence: **Upper-Left, Upper-Right, Upper-Left, and Upper-Right** to enter **System Options**.
8. Tap the **Immobilize Unit** icon to disable.



NOTE: Discover SE3HD console shown.

2. Product Overview

Product Features



Item	Description	Qty.
1	Console	1
2	Contact Heart Rate Sensors	2
3	Transport Wheels	2
4	Walking Belt	1
5	Leg Leveler	2
6	Emergency Stop Lanyard	1
7	Emergency Stop Magnet	1
8	Cup Holder	2
9	Activity Zone	1

Mounting and Dismounting the Treadmill

Use the handrails to enhance stability when mounting or dismounting a treadmill. Never mount or dismount the treadmill while the running belt is moving. Use the STOP button on the console to end a workout and stop the running belt. Use the Emergency Stop System to stop the belt immediately.

User Position

The width of the moving walking/running surface is 22 in. (55 cm). Users must keep their feet within this width while in motion. If standing on the stationary side rails, a user should ensure that his/her feet are completely on the non-moving portion. Never step partially on the moving surface and partially on the non-moving surface simultaneously.

- Users can adjust their fore-aft position on the moving belt as desired for reach to the console and handles, clearance for arm swing and attachment of the safety stop pull cord. Do not step on the rear roller.
- It is recommended that the user run within the length of the side handrails to allow usage of the side arms to dismount the belt if needed.

Using and Testing the Emergency Stop System

The treadmill is equipped with an Emergency Stop System. The system consists of a rectangular stop magnet (located on the upper bridge plastic) attached to a safety stop pull cord.

Before starting a workout, attach the lanyard on the safety stop pull cord to an item of the user's clothing. During a workout, pull the cord to remove the magnet from the bridge. This will immediately stop the treadmill belt.

NOTE: Test the safety stop pull cord by attaching the lanyard to a user's item of clothing during operation of the treadmill. While the treadmill is on and the console display is active, remove the safety stop pull cord / magnet from the bridge. A message will be displayed on the console similar to "Replace the emergency stop switch". With the safety stop pull cord removed no keys shall function on the treadmill. Place the safety stop pull cord back in place. The treadmill will reset and will be ready for operation.

3. Service and Technical Data

Preventive Maintenance Tips

NOTE: Safety of the equipment can be maintained only if the equipment is examined regularly for damage or wear. Keep the equipment out of use until defective parts are repaired or replaced. Pay special attention to parts that are subject to wear, as outlined below.

REMARQUE : Pour assurer la sécurité du matériel, il convient de l'inspecter régulièrement afin de détecter tout signe d'usure ou d'endommagement. N'utilisez pas l'appareil avant d'avoir réparé ou remplacé les pièces défectueuses. Portez une attention toute particulière aux pièces qui s'usent, comme indiqué ci-dessous.

The following preventive maintenance tips will keep the product operating at peak performance:

- Locate the product in a cool, dry place.
- Clean the display console and all exterior surfaces with an approved or compatible cleaner (see Approved and Compatible Cleaners) and a microfiber cloth.
- Long fingernails may damage or scratch the surface of the console; use the pad of the finger to press the selection buttons on the console.
- Check operation of the emergency stop system once a week.
- Inspect and vacuum the area directly surrounding and under the unit regularly.
- Vacuum around the striding belt regularly to keep debris from accumulating.
- Inspect exterior parts regularly for wear, particularly the striding belt, deck and line cord.
- Check to make sure the unit is properly leveled.
- Check the position (centering) of the striding belt.

NOTE: Normal belt operating position is for the belt to be located within the belt travel indicators on the rear roller guards. Refer to *Tracking (Centering) A Striding Belt* or contact Customer Support Services for proper alignment instructions.

Approved and Compatible Cleaners

Two preferred cleaners have been approved by reliability experts: PureGreen 24 and Gym Wipes. Both cleaners will safely and effectively remove dirt, grime and sweat from equipment. PureGreen 24 and the Antibacterial Force formula of Gym Wipes are both disinfectants that are effective against MRSA and H1N1.

PureGreen 24 is available in a spray which is convenient for gym staff to use. Apply the spray to a microfiber cloth and wipe down the equipment. Use PureGreen 24 on the equipment for at least 2 minutes for general disinfection purposes and at least 10 minutes for fungus and viral control.

Gym Wipes are large, durable pre-moistened wipes to use on the equipment before and after workouts. Use Gym Wipes on the equipment for at least 2 minutes for general disinfection purposes.

Contact Customer Support Services to order these cleaners (1-800-351-3737 or email: customersupport@lifefitness.com).

Mild soap and water or a mild non-abrasive household cleaner can also be used to clean the display and all exterior surfaces. Use a soft microfiber cloth only. Apply the cleaner to the microfiber cloth before cleaning. DO NOT use ammonia or acid based cleaners. DO NOT use abrasive cleaners. DO NOT use paper towels. DO NOT apply cleaners directly to the equipment surfaces.

Preventive Maintenance Schedule

Item	Weekly	Monthly	Biannually
Console Overlays	Clean		Inspect
Bottle Holders / Accessory Trays	Clean	Inspect	
Console Mounting Bolts			Inspect
Hardware			Inspect
Frame	Clean		Inspect
Plastic Covers	Clean	Inspect	
Lifepulse Sensors	Clean / Inspect		

Item	Weekly	Monthly	Biannually
Striding Belt Centered	Inspect		
Emergency Stop Magnet	Clean / Inspect		
Motor Cover	Clean	Vacuum / Clean	
Motor Electronic Compartment			Inspect
Drive Belt			Inspect
Leg Levelers		Inspect / Adjust	
Front and Rear Rollers			Inspect
Side Step Area	Clean	Inspect	
Side Hand Rails	Clean		Inspect
Ergo™ Front Handlebar	Clean		Inspect

Troubleshooting the Treadmill

No power

Probable Cause	Corrective Action
ON / OFF switch is not in proper position.	Turn the switch to the ON position.
Power source is insufficient.	Plug treadmill into an appropriate circuit. Refer to Grounding Instructions. NOTE: In North America use a dedicated 20 amp circuit for Commercial Units or a 15 amp circuit for Consumer Units. Using a voltmeter, verify power at outlet. If no power exists, reset circuit breaker at panel.
Line cord is damaged.	Replace line cord. Contact <i>Life Fitness</i> Customer Support.
Line cord is improperly seated in socket.	Inspect power connections at wall outlet and at machine for proper contact.

Striding belt slips off- center.

Probable Cause	Corrective Action
Floor surface is uneven.	Check levelers and level treadmill. Check striding belt & re-tension as necessary. Refer to <i>How to Adjust and Tension the Striding Belt</i> .

Maximum speed is reduced.

Probable Cause	Corrective Action
User is pushing striding belt. This occurs when the runner is running faster than the striding belt will travel, with the result of the striding belt being pushed with the runner's feet.	Instruct users not to push striding belt in either direction.
User is stalling striding belt. This occurs with heavier users at lower striding belt speeds. The striding belt will "stall" if the user is traveling slower than the striding belt.	

Probable Cause	Corrective Action
Striding belt/deck malfunctions. The deck laminate is worn through or the underside of striding belt is glazed over (hard, glossy).	Replace belt and deck.
Power source is insufficient.	Plug treadmill into an appropriate circuit. Refer to Grounding Instructions. NOTE: In North America use a dedicated 20 amp circuit for Commercial Units or a 15 amp circuit for Consumer Units.

Rubbing sound comes from underneath machine.

Probable Cause	Corrective Action
Foreign objects may be stuck underneath the machine.	Power down the unit and disconnect AC power. Inspect underneath striding belt and machine. Remove any debris or objects that may cause interference with the treadmill.

Display does not illuminate when machine is powered on.

Probable Cause	Corrective Action
<ul style="list-style-type: none"> No power. Loose connection(s). Incorrect console or power supply. 	<p>Check all electrical connections for proper attachment.</p> <ul style="list-style-type: none"> AC outlet and line cord Line cord at treadmill Power switch All console connections All lower electronics connections <p>Contact <i>Life Fitness</i> Customer Support.</p>

Unit resets randomly or pauses.

Probable Cause	Corrective Action
Power source is insufficient.	Plug treadmill into an appropriate circuit. Refer to Grounding Instructions. NOTE: In North America use a dedicated 20 amp circuit for Commercial Units or a 15 amp circuit for Consumer Units.
Damaged ground prong is on line cord.	Replace line cord.
Line cord improperly seated in electrical outlet.	Inspect power connection at electrical outlet and at machine for proper contact.
Emergency stop magnet is not engaged.	Re-engage the emergency stop magnet.
Towel or other item may be making contact with stop switch while user is running.	Move all possible obstructions off display console and handlebar.
Stop switch is activated with very light pressure or returns slowly after being pressed.	Contact <i>Life Fitness</i> Customer Support.
Stop switch cable is not making proper contact.	
Main wire harness is pinched.	
Ground path is open.	

Troubleshooting the Polar® Heart Rate Chest Strap

Heart rate reading is erratic or absent entirely

Probable Cause	Corrective Action
Belt transmitter electrodes are not wet enough to pick up accurate heart rate readings.	Wet the belt transmitter electrodes.
Belt transmitter electrodes are not laying flat against the skin.	Ensure the belt transmitter electrodes are laying flat against the skin.
Belt transmitter needs cleaning.	Wash the belt transmitter with mild soap and water.
Belt transmitter not properly set up.	Setup of the belt transmitter is accomplished by initially bringing it with in 1 foot of the receiver. The receiver is in the console. After the heart rate is displayed on the console the range is extended to 3 feet.
Chest strap battery is depleted.	Contact Customer Support Services for instructions on how to have the chest strap replaced.

Abnormally elevated heart rate readings

Probable Cause	Corrective Action
Electromagnetic interference from television sets and/or antennas.	Move the exercise equipment a few inches away from the probable cause, or move the probable cause a few inches away from the exercise equipment, until the heart rate readings are accurate.
Electromagnetic interference from cell phones.	
Electromagnetic interference from computers.	
Electromagnetic interference from cars.	
Electromagnetic interference from high voltage power lines.	
Electromagnetic interference from motor driven exercise equipment.	

How To's Knowledge Base

See [Knowledge Base](#) for more detailed information.

How to Adjust and Tension the Striding Belt

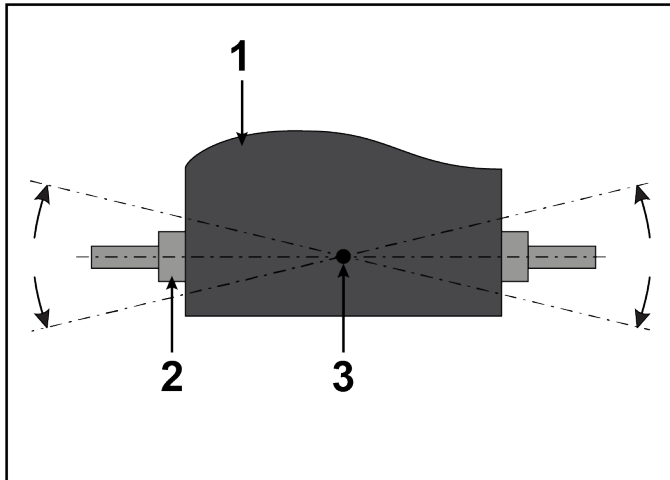
Do not move the treadmill or place hands under the treadmill while it is plugged into an electrical outlet!

Belt Tensioning Bolts

An 8mm hex key wrench is required for this task. The treadmill has access holes in the rear roller guards which allow access to the tensioning bolts. These tensioning bolts make it possible to adjust the tracking and centering of the striding belt without removing the guards.

NOTE: It is extremely important that the treadmill be correctly leveled prior to any tracking adjustments. An unstable unit may cause striding belt misalignment. See *How To Stabilize the Treadmill* prior to attempting any rear roller adjustments.

Before proceeding, it is helpful to visualize the pivot point of the rear roller. Each adjustment made to one side of the roller must be met with an equal and opposite adjustment to the other side of the roller to maintain an ideal belt tension at the pivot point.



Item	Description	Qty.
1	Belt	1
2	Rear Roller	1
3	Pivot Point of Rear Roller	1

Tracking (Centering) A Striding Belt

Two people are needed to perform this procedure.

1. Locate the two access holes to the belt tensioning bolts on each of the rear roller guards.
2. One person stands on the side rails of the treadmill and straddles the belt. This person presses GO and sets the belt speed to 2.5 MPH (4.0 KPH).
3. If the striding belt has moved to the right, the second person turns the right tension bolt a quarter-turn clockwise and then turns the left tension bolt a quarter-turn counter-clockwise to make the striding belt track back to the center of the roller. If the striding belt has moved to the left, turn the left tension bolt a quarter-turn clockwise and then turn the right tension bolt a quarter-turn counter-clockwise to make the striding belt track back to the center of the roller.

NOTE: If the striding belt has moved as far as to the edge of the roller (either right or left side), it must be re-centered per the above procedure.

4. Repeat the adjustments until the striding belt appears centered. Allow the machine to continue running for several minutes at 4.0 MPH. (6.4 KPH) to observe if tracking remains stabilized.

NOTE: Do not exceed one full turn of the adjusting screws in either direction. If after one full turn the belt does not track properly, contact *Life Fitness* Customer Support. Do not overtighten the tensioning bolts while making belt adjustments. Overtightening of bolts may over stretch and damage the striding belt or roller.

Tensioning an Existing Striding Belt

1. Press GO and operate the treadmill for five minutes at 5.0 MPH (8.0 KPH).

NOTE: Do not run or walk on belt!

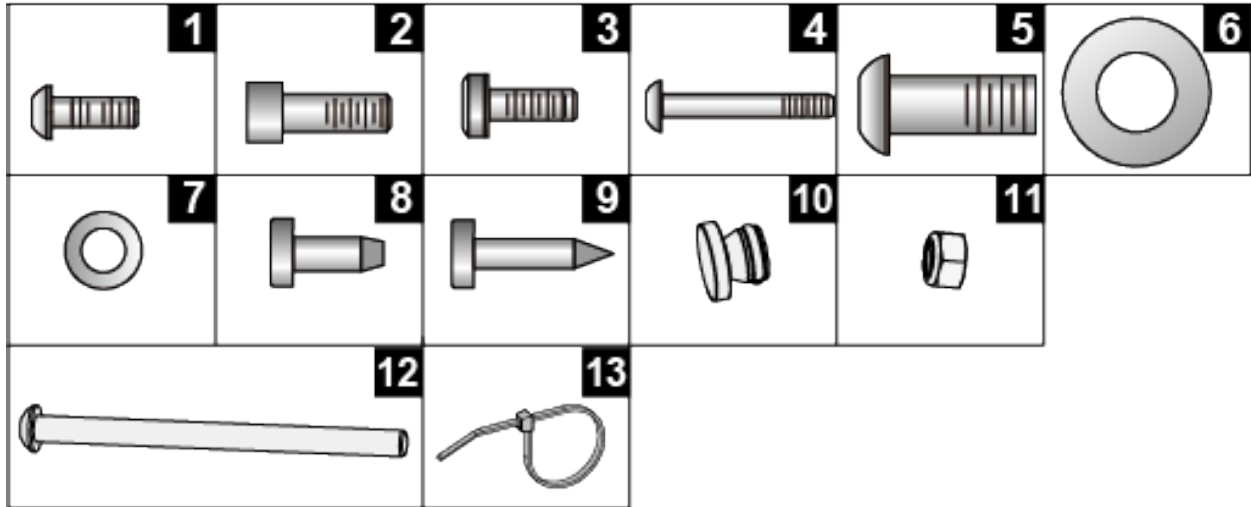
2. Reduce the speed to 2.0 MPH (3.2 KPH). Walk on the treadmill. Tightly grip the handrails and apply force with feet on the striding belt near the motor cover against the moving belt direction. If the belt slips, continue to Step 3. If it does not slip, the tension is correct.
3. Using the STOP key, stop the treadmill. Turn the belt tensioning bolts a quarter-turn clockwise for each side.
4. Repeat STEPS 2 and 3 until the belt no longer slips. Do not exceed one full turn (four quarter turns) per side when adjusting the belt tensioning bolts.
5. Press GO, operate the treadmill at 2.0 MPH (3.2 KPH) and check to insure proper tracking (see *Tracking (Centering) A Striding Belt*). If the striding belt drifts to the left or right see *Centering an Existing or New Striding Belt*.
Do not overtighten the tensioning bolts while making belt adjustments. Overtightening of bolts may over stretch and damage the striding belt or roller bearings. Do not exceed one full turn of either bolt in either direction.

How to Obtain Product Service

1. Verify the symptom and review the operating instructions. The problem may be unfamiliarity with the product and its features and workouts.
2. Locate and write down the serial number of the unit which is located on the back of the unit near the toe guard.
3. Contact Customer Support at <http://www.lifefitness.com>.

4. Assembly

Hardware and Required Tools



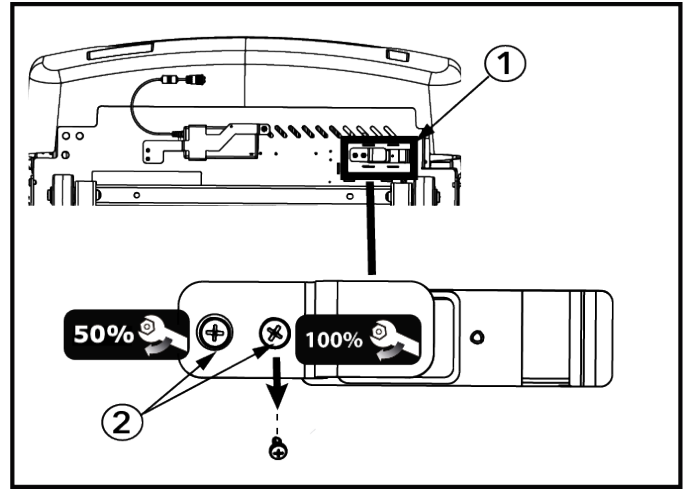
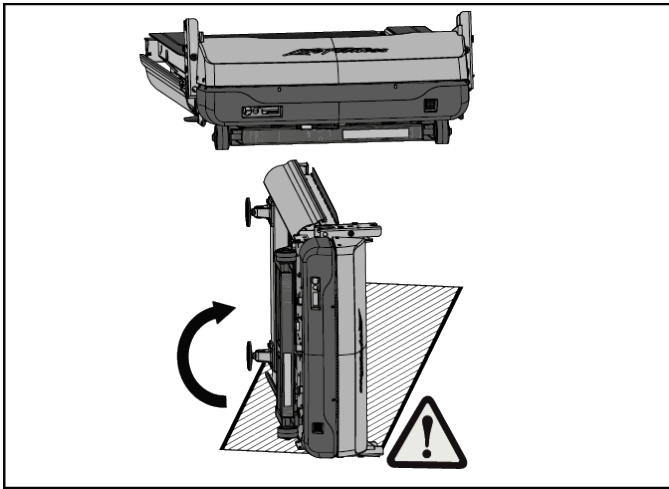
Item	Description	Qty
1	M6 X 14 BUTTON HEAD SCREW	44
2	M6 X 20 SOCKET HEAD SCREW	3
3	M5 X 14 PHILLIPS PAN HEAD SCREW	6
4	M6 X 35 BUTTON HEAD SCREW	2
5	M12 X 30 HEX BUTTON HEAD SCREW	12
6	M12.5 WASHER	12
7	M6.5 WASHER	11
8	#10-16 X 8 PHILLIPS PAN HEAD SCREW	8
9	#8-8 X 12 PHILLIPS PAN HEAD SCREW	2
10	RUBBER GROMMET	10
11	M6 LOCK NUT	4
12	M6 X 85 BUTTON HEAD SCREW	4
13	CABLE TIE	9


Required Tools:

- #2 Phillips screwdriver
- 4 mm Allen wrench, 5 mm Allen wrench, 8 mm Allen wrench (T-Bar recommended)

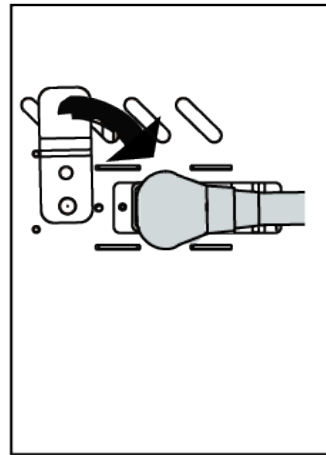
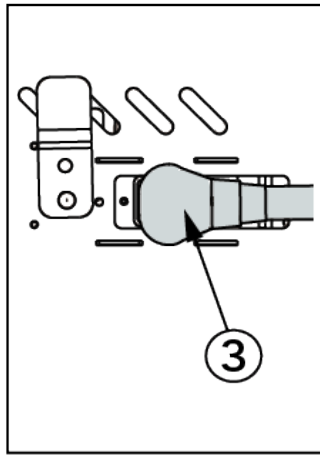
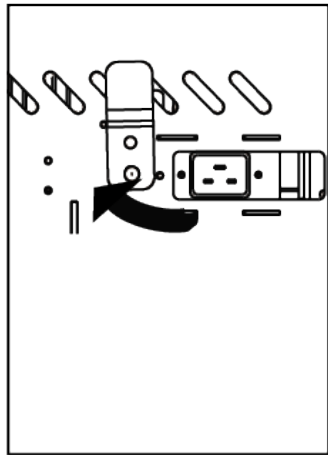
Attach Line Cord to Base

1. Turn treadmill base on its side.
2. Loosen the screw located nearest the edge of the line cord bracket. Remove the other screw on the line cord bracket and retain hardware.

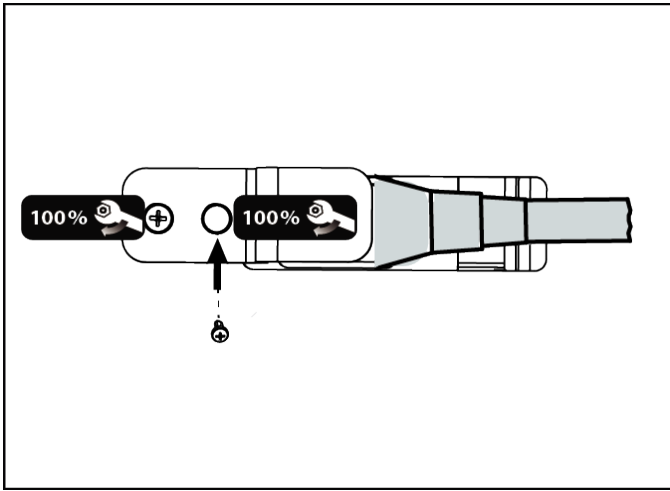


Item	Description	Qty.
1	Line Cord Bracket	1
2	M4 X 10 Screw	2
	1.69 Nm (1.25 ft. lbs.)	
3	Power Cord	1

3. Swing the line cord bracket off the receptacle. Plug in the line cord into its receptacle. Position the line cord bracket over the line cord.

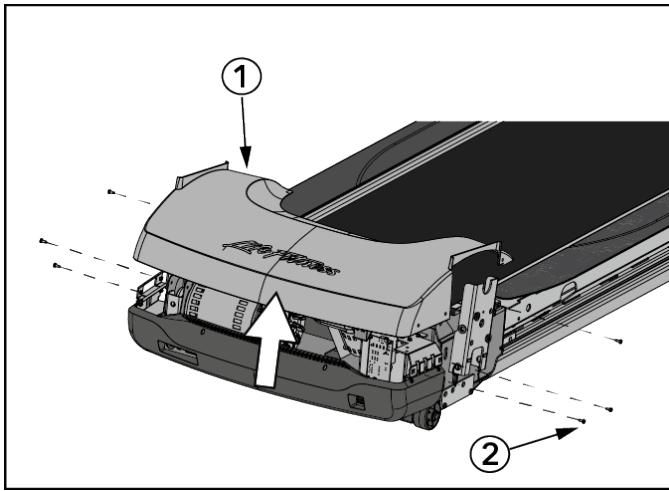


4. Fully tighten the screw previously loosened on the line cord bracket. Secure the line bracket with the previously removed screw.



Remove Motor Cover

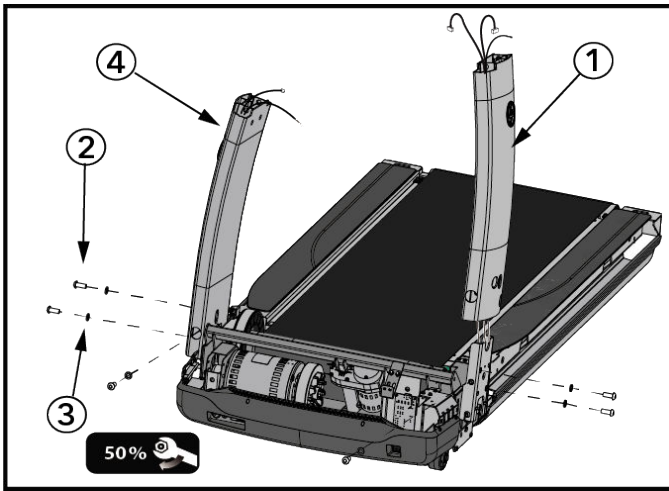
Remove motor cover and hardware. Retain all parts.




Item	Description	Qty.
1	Motor Cover	1
2	Screw: 10-16 X 8, PHL, PAN, ST, ZB	6

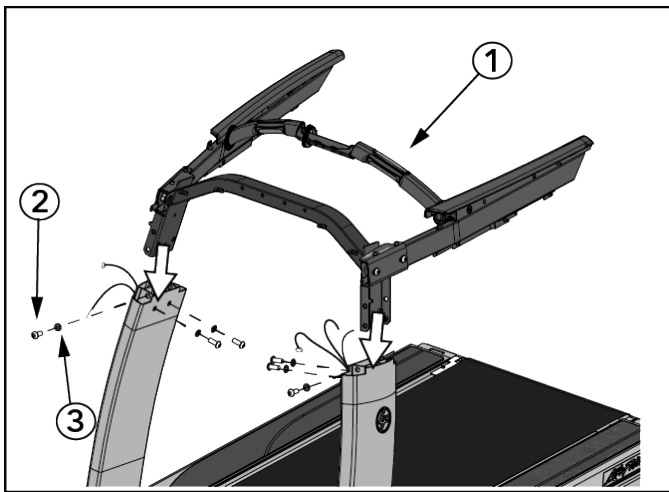
Attach Uprights


1. Run cables up through the left upright.
2. Attach left upright to upright support.
3. Run cables up through the right upright.
4. Attach right upright to upright support.
5. Tighten all hardware 50%.



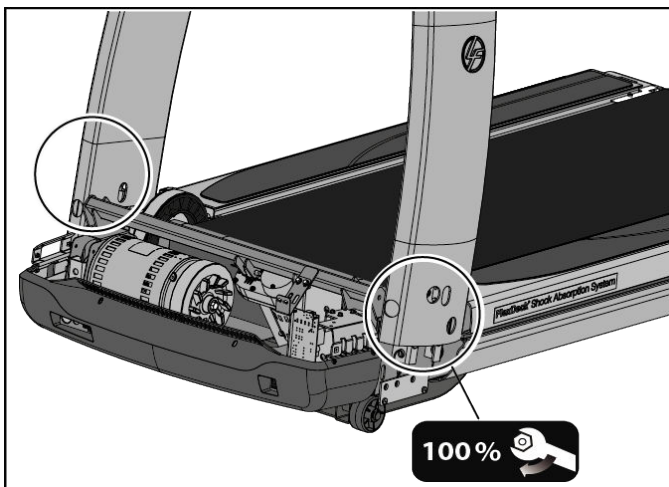
Item	Description	Qty.
1	Left Upright	1
2	M12 X 30 Hex Button Head Screw	6
3	M12.5 Washer	6
4	Right Upright	1
	NOTE: Hand tighten the screws.	


Secure Bridge Assembly to Uprights



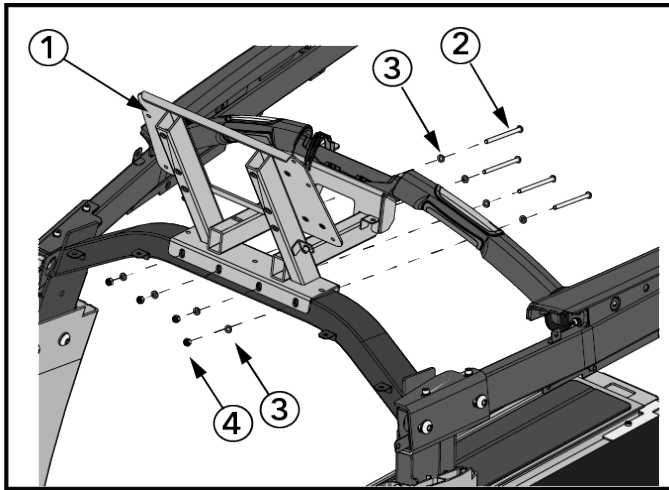
Item	Description	Qty.
1	Bridge Assembly	1
2	M12 X 30 Hex Button Head Screw	6
3	M12.5 Washer	6
	84 Nm (62 ft. lbs.)	


NOTE: Fully Tighten hardware securing uprights to the upright support after securing the bridge assembly to the uprights,



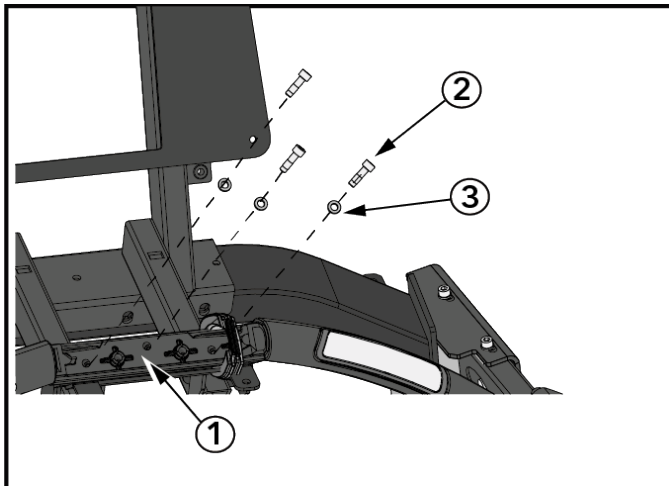
Item	Description	Qty.
	84 Nm (62 ft. lbs.)	


Secure Console Mounting Bracket to Bridge Assembly



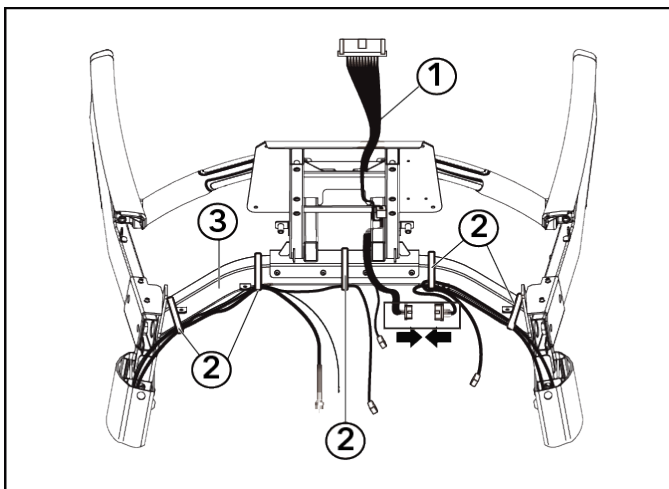
Item	Description	Qty.
1	Console Mounting Bracket	1
2	M6 X 85 Screw	4
3	M6.5 Washer	8
4	M6 Lock Nut	4
	10.84 Nm (8 ft. lbs.)	

Secure Hardware into Ergo Bar Assembly



Item	Description	Qty.
1	Ergo Bar Assembly	1
2	M6 X 20 Socket Head Screw	3
	M6.5 Washer	3
	6 Nm (53.1 in. lbs.)	

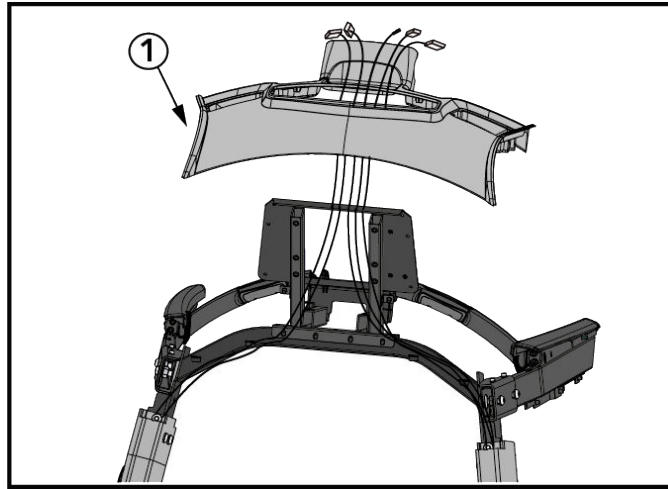
Connect Base Power/Communication Cable



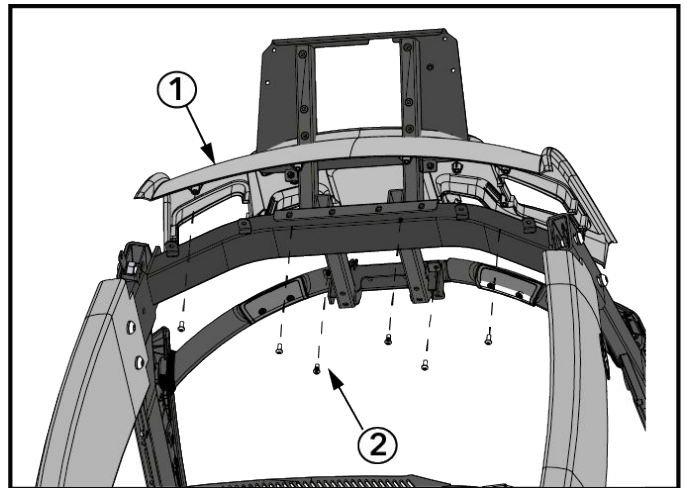
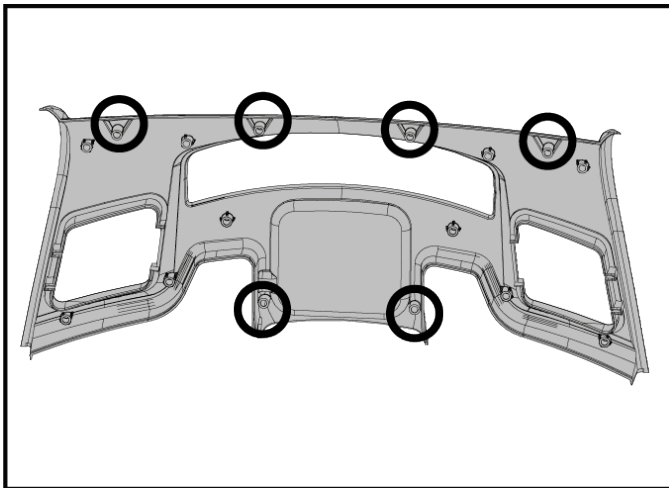
Item	Description	Qty.
1	Base Power Cable	1
2	Cable Ties	5
3	Bridge Assembly	1


Attach Bridge Top Cover

1. Run cables through opening of bridge top cover.

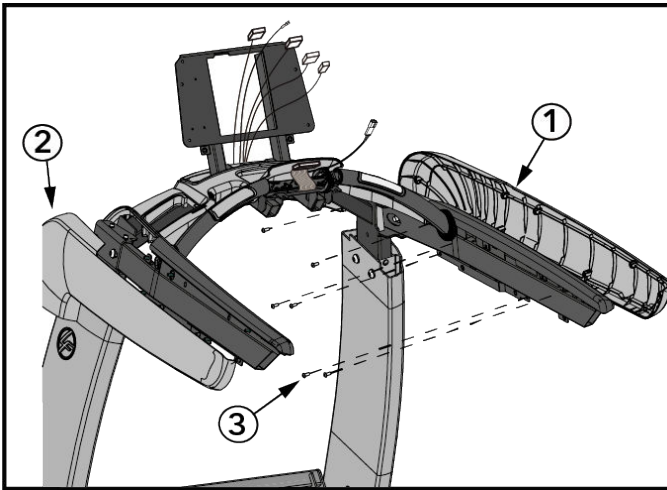



2. Attach bridge top cover to bridge assembly.



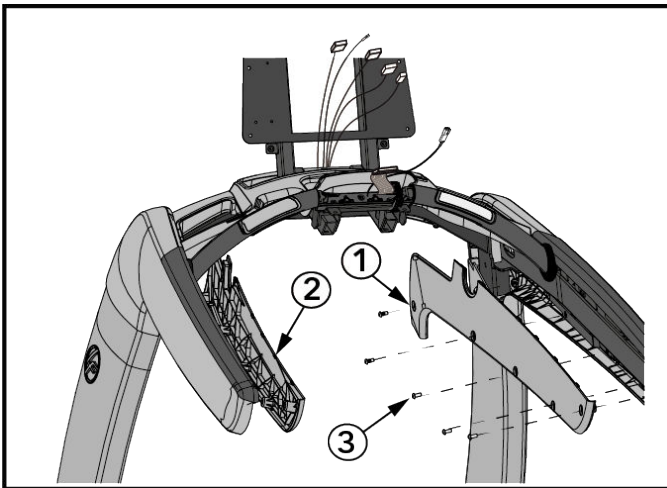
Item	Description	Qty.
1	Top Cover	1
2	M6 X 14 Button Head Screw	6
	2.8-3.9 Nm (25-35 in. lbs.)	


Attach Outer Handrail Covers



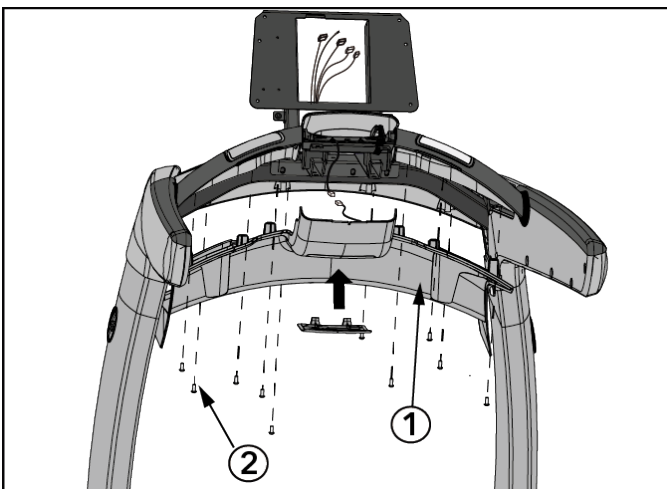
Item	Description	Qty.
1	Outer Handrail Cover, Right	1
2	Outer Handrail Cover, Left	1
3	M6 X 14 Button Head Screw	10
	2.0 Nm (17.5 in. lbs.)	


Attach Inner Handrail Covers



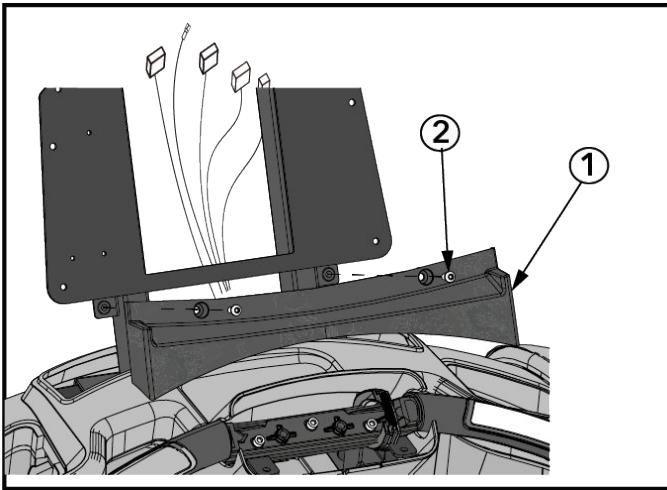
Item	Description	Qty.
1	Inner Handrail Cover, Right	1
2	Inner Handrail Cover, Left	1
3	M6 X 14 Button Head Screw	10
	2.0 Nm (17.5 in. lbs.)	


Attach Bridge Bottom Cover



Item	Description	Qty.
1	Bottom Cover	1
2	M6 X 14 Button Head Screw	10
	2.8-3.9 Nm (25-35 in. lbs.)	

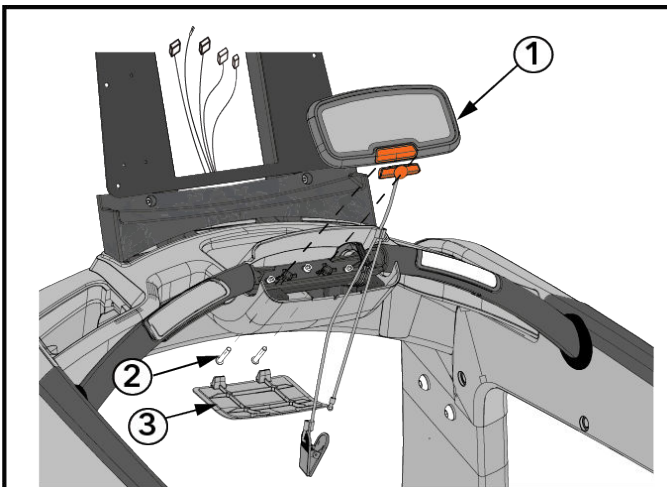
Attach Console Neck Spacer




Item	Description	Qty.
1	Console Neck Spacer	1
2	M6 X 14 Button Head Screw	2
	2.8-3.9 Nm (25-35 in. lbs.)	

Attach Activity Zone

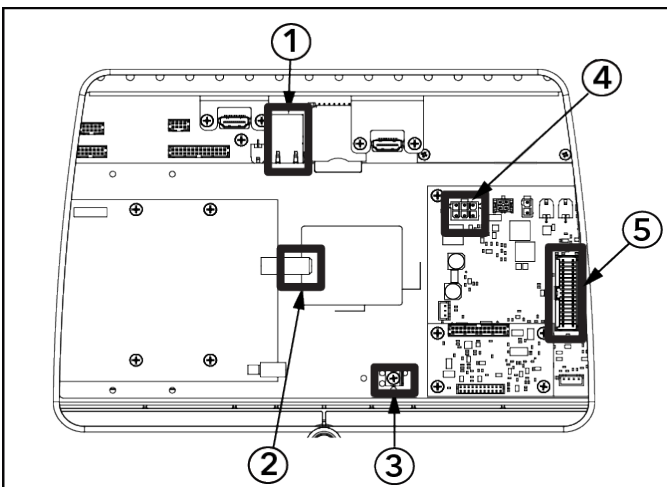
1. Remove access door.
2. Connect Emergency Stop cables.
3. Secure activity zone assembly to ergo bar assembly.
4. Replace access door.



Item	Description	Qty.
1	Activity Zone Assembly	1
2	M6 X 35 Button Head Screw	2
	6 Nm (53.1 in. lbs.)	
3	Access Door	3

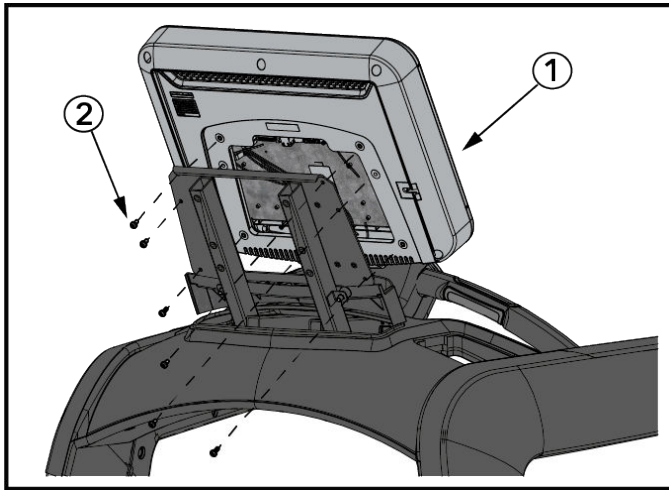
Base to Console Cable Connections


Discover SE3HD / Discover ST

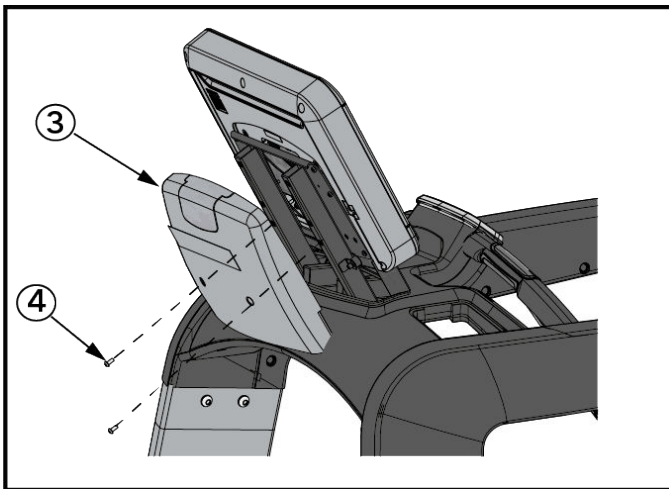



Item	Description
1	CAT5E
2	Coax
3	Ground
4	External Power Cable
5	Base Interface Cable (Base Switches, ESS, Lifepulse)

Attach Console and Console Rear Shroud Assembly



Item	Description	Qty.
1	Console	1
2	M5 X 14 Phillips Pan Head Screw	6
	1.9 Nm (1.4 ft. lbs.)	



Item	Description	Qty.
3	Rear Console Shroud Assembly	1
4	M6 X 14 Button Head Screw	2
	2.8 - 3.9 Nm (25 - 25 in. lbs.)	

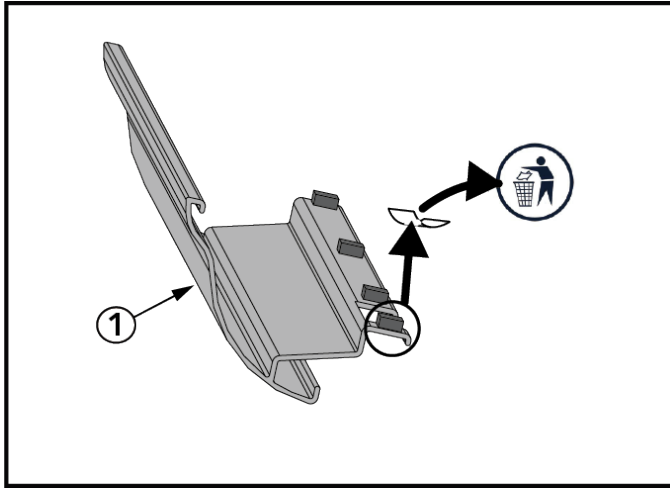
Attach Lower Frame Extrusion Assemblies

Two options for assembling the lower frame extrusions to the upper extrusions are shown.

- Attach top of the lower frame extrusion assembly first.
- Attach bottom of the lower frame extrusion assembly first.

NOTE: Left frame extrusion shown in all images.

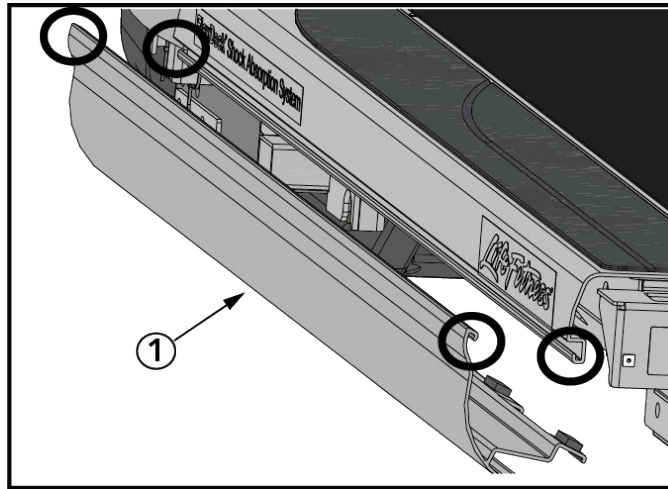
Remove and discard liners on foam pad spacers on both the left and right lower frame extrusion assemblies.



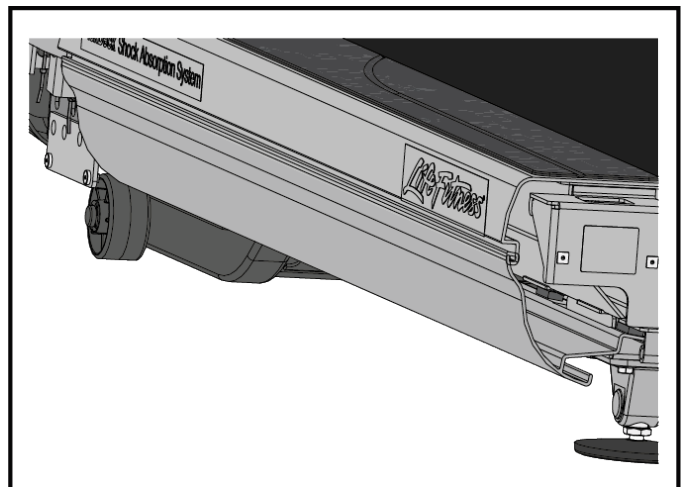
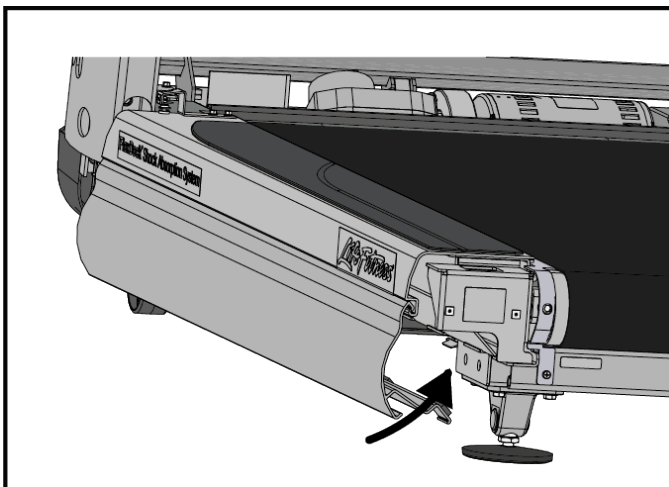
Item	Description	Qty.
1	Lower Frame Extrusion Assembly, Left	1
	Lower Frame Extrusions Assembly, Right NOTE: Right Extrusion not shown	1

Attach top of the lower frame extrusion assembly first.

1. Slide the top of the extrusion assembly into the corresponding slot on the upper extrusion assembly.

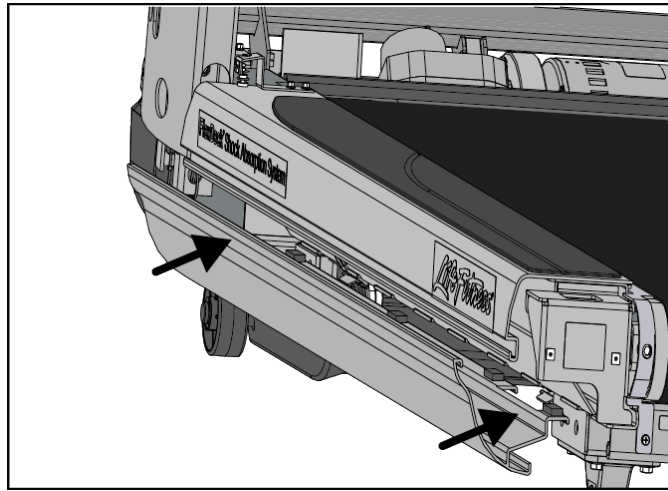


2. Swing the bottom of the extrusion assembly and snap into place.

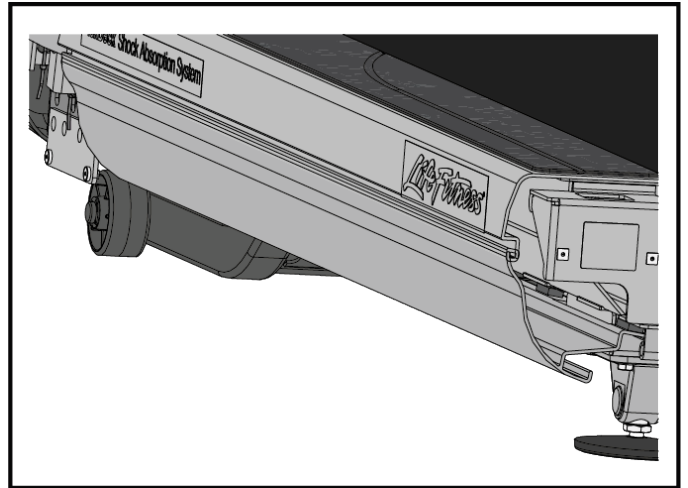
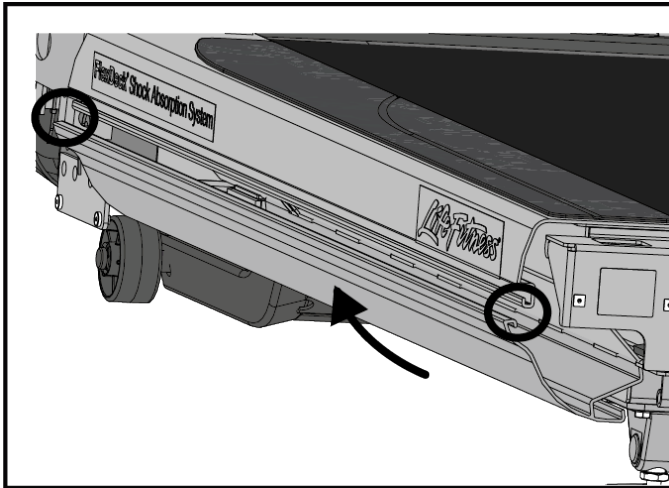


Attach bottom of the lower frame extrusion assembly first.

1. Snap bottom of lower frame extension into place.

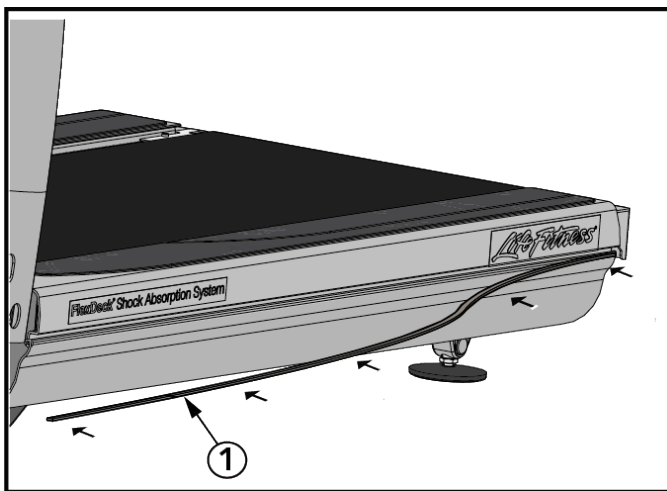


2. Swing up the lower frame extrusion and slide the top of the lower frame extrusion into the corresponding slot on the upper extrusion assembly.



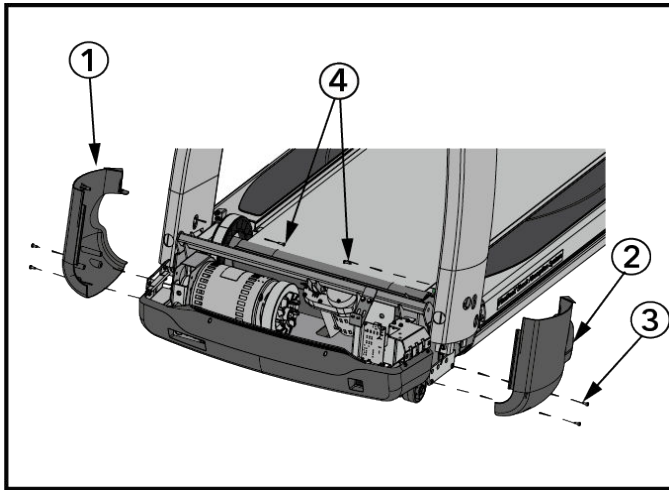
Attach Lower Extrusion Spacer



Attach rubber spacers on the left and right sides of the treadmill.



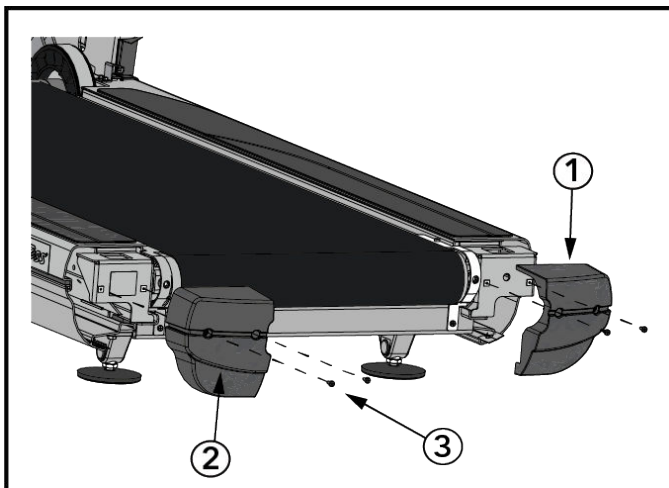
Item	Description	Qty.
1	Spacer, Lower Extrusion	2


Secure Upright Covers to Uprights



Item	Description	Qty.
1	Upright Cover, Right	1
2	Upright Cover, Left	1
3	#10-16 X 8 Phillips Pan Head Screw	4
	3.38 Nm (2.5 ft. lbs.)	
	#8-8 X 12 Phillips Pan Head Screw	2
	1.1 Nm (10 in. lbs.)	

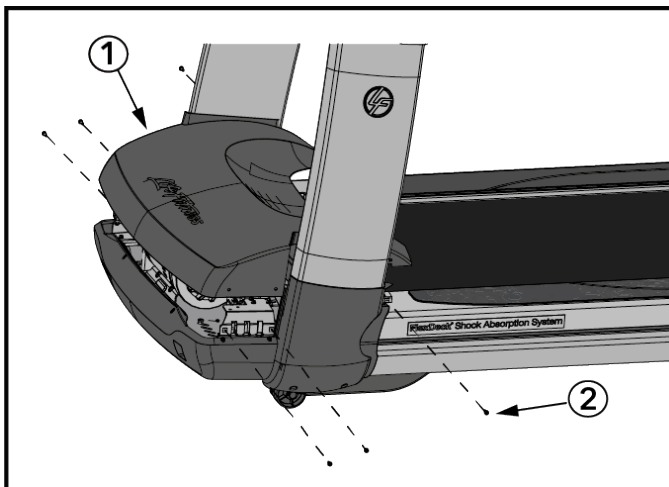
Attach Rear End Caps




Item	Description	Qty.
1	Rear End Cap, Right	1
2	Rear End Cap, Left	1
3	Screw: 10-16 X 8, PHL, PAN, ST, ZB	4
	3.4 Nm (30 in. lbs.)	

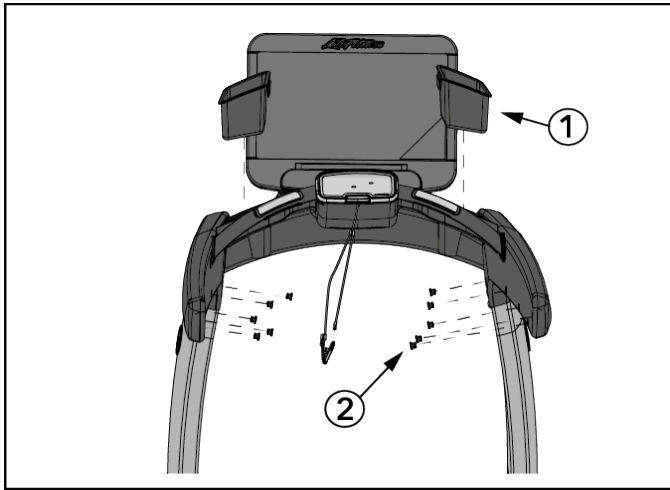
Reattach Motor Cover

Use previously removed hardware to reattach motor cover.



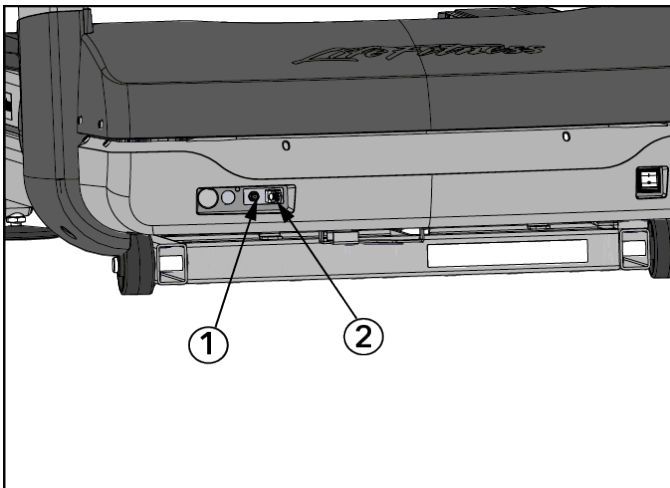
Item	Description	Qty.
1	Motor Cover	1
2	Screw: 10-16 X 8, PHL, PAN, ST, ZB	6
	3.4 Nm (30 in. lbs.)	

Insert Cup Holders and Handrail Grommets



Item	Description	Qty.
1	Cup Holders	2
2	Rubber Grommets	10

Install Coaxial and Ethernet Cables



Item	Description	Qty.
1	Coaxial Cable	1
2	External Ethernet Cable	1

5. Specifications

Designed Use	Heavy / Commercial (95T) EN ISO 20957 Class S
	Home (PCST) EN ISO 20957 Class H
Maximum User Weight	400 lbs. / 181 kg
Speed Range	0.5 - 14.0 MPH (0.8 - 23 KPH) in 0.1 increments (95T)
	0.5 - 12.0 MPH (0.8 - 19 KPH) in 0.1 increments (PCST)
Elevation Range	0% - 15%
Drive Train	AC motor with variable speed controller
Motor Type	AC Induction
Motor Size	4-HP AC Continuous Duty (8-HP Peak Duty) Motor. Motor efficiency rated IE2 at 2-HP.
Power Requirements	See <i>Electrical Requirements</i> for requirements outside the U.S.
	Dedicated 120 volt, 20 amp (U.S) (95TSE)
	120 volt, 15 amp (U.S.) (IPCSTE)
Rollers	3.5" (9 cm) diameter, precision-crowned, front and back
Striding Belt	60" Length x 22" Width (152 cm Length x 55 cm Width)
Waxing System	Lubricant -infused Striding Belt
Deck Type	3/4" medium density reversible fiberboard
Shock Absorption System	Patented FlexDeck® Shock Absorption System with Lifesprings™
Side Handrail	26" x 5" (66 cm x 12.7 cm) long, flared, cantilevered, overmolded elastomeric grips
Stop Systems	<ul style="list-style-type: none"> • Red and yellow magnetic lanyard emergency stop system • Stride Sensor • Stop switch raised and prominently positioned
Heart Rate Monitoring Systems	Patented Lifepulse™ digital contact heart rate and Polar® telemetry compatible heart rate monitoring system
CATV (1)	F-type connector

	Physical Dimensions	Shipped Dimensions
Length	80 in. / 203 cm	87 in. / 221 cm
Width	36 in. / 91.5 cm	43 in. / 110 cm
Height	62.3 in. / 158 cm	26 in. / 66 cm
Step-Up Height	10 in. / 25.4 cm	N/A
Weight	444 lbs. / 201 kg	540 lbs. / 245 kg (U.S.)
		508 lbs. 231 kg (Outside the U.S.)

6. Warranty

What is Covered

This Life Fitness Family of Brands commercial exercise equipment product is warranted to be free of all defects in material and workmanship.

Who is Covered

The original purchaser or any person receiving the product as a gift from the original purchaser. Warranty will be voided on subsequent transfers.

How Long It is Covered

All coverage is provided by specific Product according to the guidelines listed in Warranty Information.

Who Pays Transportation and Insurance For Service

If the Product or any covered part must be returned to a service facility for repairs, We, Life Fitness Family of Brands, will pay all transportation and insurance charges for the first year. You are responsible for transportation and insurance charge after the first year.

What We Will Do To Correct Covered Defects

We will ship to you any new or rebuilt replacement part or component, or at our option, replace the Product. Such replacement parts are warranted for the remaining portion of the original warranty period.

What is Not Covered

Any failures or damage caused by unauthorized service, misuse, accident, negligence, improper assembly or installation, debris resulting from any construction activities in the Product's environment, rust or corrosion as a result of the Product's location, alterations or modifications without our written authorization or by failure on your part to use, operate and maintain the Product as set out in your Operation Manual ("Manual").

One type RJ45 interchangeable Network ready and Fitness Entertainment port is supplied with the Product. This port complies with the FitLinxx CSAFE specification dated August 4, 2004 stating: 4.75 VDC to 10 VDC; maximum current of 85 mA. Any Product damage caused by a load exceeding this FitLinxx CSAFE specification is not covered by warranty.

All terms of this warranty are void if this product is moved beyond the continental borders of the United States of America (excluding Alaska, Hawaii and Canada) and are then subject to the terms provided by that country's local authorized *Life Fitness* representative.

What You Must Do

Retain proof of purchase. use, operate and maintain the Product as specified in the Manual; notify the place of purchase of any defect within 10 days after discovery of the defect; if instructed, return any defective part for replacement or, if necessary, the entire Product for repair. *Life Fitness* reserves the right to decide whether or not a product is to be returned for repair.

How to Get Parts and Service

Refer to the Corporate Headquarters section of this manual for your local service contact information. Reference your name, address and the serial number of your Product (consoles and frames may have different serial numbers). They will tell you how to get a replacement part, or, if necessary, arrange for service where your Product is located.

Exclusive Warranty

THIS LIMITED WARRANTY IS IN LIEU OF ALL OTHER WARRANTIES OF ANY KIND EITHER EXPRESSED OR IMPLIED, INCLUDING BUT NOT LIMITED TO THE IMPLIED WARRANTIES OF MERCHANTABILITY AND FITNESS FOR A PARTICULAR PURPOSE, AND ALL OTHER OBLIGATIONS OR LIABILITIES ON OUR PART. We neither assume nor authorize any person to assume for us any other obligation or liability concerning the sale of this Product. Under no circumstances shall we be liable under this warranty, or otherwise, of any damage to any person or property, including any lost profits or lost savings, for any special, indirect, secondary, incidental or consequential damages of any nature arising out of the use of or inability to use this Product. Some states do not allow the exclusion or limitation of implied warranties or of liability for incidental or consequential damages, so the above limitations or exclusions may not apply to you.

Changes in Warranty Not Authorized

No one is authorized to change, modify or extend the terms of this limited warranty.

Effects of State Laws

This warranty gives you specific legal rights, and you may have other rights which vary from state to state and country by country.

Terms of Warranty Coverage

Please use the link below to access component warranty terms:

<http://lifefitness.com/warranties>

