



Prescribed for Progress™

# PRO1/PRO1 Sport Machine Assembly Manual



## Upper Body Exerciser

PRO1XX-DOMHUR, PRO1XX-ERGLN, PRO1XX-INT, PRO1XX-EC, PRO1XX-XXL,  
PRO1XX-INT(USA), PRO1XX-BR, PRO1XX-JPHUR, PRO1XX-INTHUR, PRO1XX-ISBU,  
PRO1XX-JP, PRO1XXJPHUR



## Corporate Headquarters

---

Columbia Centre III, 9525 West Bryn Mawr Avenue, Rosemont, Illinois 60018 • U.S.A.  
847.288.3300 • FAX: 847.288.3703  
Service phone number: 800.351.3737 (toll-free within U.S.A., Canada)  
Global Website: [www.lifefitness.com](http://www.lifefitness.com)

### International Offices

#### AMERICAS North America

##### SCIFIT

5151 S. 110th E. Avenue  
Tulsa, OK, 74146 U.S.A  
Toll Free: +1 (800) 745 1373  
Email: [Service@scifit.com](mailto:Service@scifit.com)  
Service Website: [www.scifit.com/service-information](http://www.scifit.com/service-information)

#### Brazil Life Fitness Brasil

Av. Rebouças, 2315  
Pinheiros  
São Paulo, SP 05401-300  
BRAZIL  
SAC: 0800 773 8282 option 2  
Telephone: +55 (11) 3095 5200 option 2  
Service Email: [suportebr@lifefitness.com](mailto:suportebr@lifefitness.com)  
Sales/Marketing Email: [vendasbr@lifefitness.com](mailto:vendasbr@lifefitness.com)

#### Latin America and Caribbean\* Life Fitness, Inc.

Columbia Centre III  
9525 West Bryn Mawr Avenue  
Rosemont, IL 60018 U.S.A.  
Telephone: (847) 288 3300  
Service Email: [customersupport@lifefitness.com](mailto:customersupport@lifefitness.com)  
Sales/Marketing Email: [commercialsales@lifefitness.com](mailto:commercialsales@lifefitness.com)

#### EUROPE, MIDDLE EAST, and AFRICA (EMEA) Netherlands and Luxemburg

##### Life Fitness Atlantic BV

Bijdorpplein 25-31  
2992 LB Barendrecht  
THE NETHERLANDS  
Telephone: (+31) 180 646 666  
Service Email: [service.benelux@lifefitness.com](mailto:service.benelux@lifefitness.com)  
Sales/Marketing Email: [marketing.benelux@lifefitness.com](mailto:marketing.benelux@lifefitness.com)

#### United Kingdom Life Fitness UK LTD

Queen Adelaide  
Ely, Cambs, CB7 4UB  
Telephone: General Office (+44)  
1353.666017  
Customer Support (+44) 1353.665507  
Service Email: [uk.support@lifefitness.com](mailto:uk.support@lifefitness.com)  
Sales/Marketing Email: [life@lifefitness.com](mailto:life@lifefitness.com)

#### Germany, Austria, and Switzerland Life Fitness Europe GMBH

Neuhofweg 9  
85716 Unterschleißheim  
GERMANY  
Telephone:  
+49 (0) 89 / 31775166 Germany  
+43 (0) 1 / 6157198 Austria  
+41 (0) 848 / 000901 Switzerland  
Service Email: [kundendienst@lifefitness.com](mailto:kundendienst@lifefitness.com)  
Sales/Marketing Email: [vertrieb@lifefitness.com](mailto:vertrieb@lifefitness.com)

#### Spain Life Fitness IBERIA

C/Frederic Mompou 5,1<sup>o</sup>A  
08960 Sant Just Desvern Barcelona  
SPAIN  
Telephone: (+34) 93.672.4660  
Service Email: [servicio.tecnico@lifefitness.com](mailto:servicio.tecnico@lifefitness.com)  
Sales/Marketing Email: [info.iberia@lifefitness.com](mailto:info.iberia@lifefitness.com)

#### Belgium Life Fitness Benelux NV

Parc Industriel de Petit-Rechain  
4800 Verviers  
BELGIUM  
Telephone: (+32) 87 300 942  
Service Email: [service.benelux@lifefitness.com](mailto:service.benelux@lifefitness.com)  
Sales/Marketing Email: [marketing.benelux@lifefitness.com](mailto:marketing.benelux@lifefitness.com)

#### All Other EMEA Countries and Distributor Business EMEA\*

Bijdorpplein 25-31  
2992 LB Barendrecht  
THE NETHERLANDS  
Telephone: (+31) 180 646 644  
Service Email: [EMEAServiceSupport@lifefitness.com](mailto:EMEAServiceSupport@lifefitness.com)

#### ASIA PACIFIC (AP) Japan

##### Life Fitness Japan, Ltd

4-17-33 Minami Aoyama 1F/B1F  
Minato-ku - Tokyo 107-0062  
Japan  
Telephone: (+81) 0120.114.482  
Fax: (+81) 03-5770-5059  
Service Email: [service.lfj@lifefitness.com](mailto:service.lfj@lifefitness.com)  
Sales/Marketing Email: [sales@lifefitnessjapan.com](mailto:sales@lifefitnessjapan.com)

#### Hong Kong Life Fitness Asia Pacific LTD

32/F, Global Trade Square  
21 Wong Chuk Hang Road  
Hong Kong  
Telephone: (+852) 2575.6262  
Service Email: [Service.HK@lifefitness.com](mailto:Service.HK@lifefitness.com)  
Sales/Marketing Email: [hongkong.sales@lifefitness.com](mailto:hongkong.sales@lifefitness.com)

#### All Other Asia Pacific countries and distributor business Asia Pacific\*

32/F, Global Trade Square  
21 Wong Chuk Hang Road  
Hong Kong  
Telephone: (+852) 2575.6262  
Fax: (+852) 2575.6894  
Service Email: [Service.AP@lifefitness.com](mailto:Service.AP@lifefitness.com)  
Sales/Marketing Email:  
[Marketing.HK.Asia@lifefitness.com](mailto:Marketing.HK.Asia@lifefitness.com)

\*Also check [www.SCIFIT.com](http://www.SCIFIT.com) for local representation or distributor/dealer

\* Order online 24/7 at [www.SCIFIT.com](http://www.SCIFIT.com)

## ***User and Service Documents Link***

---

Operation Manuals and other Product Information available at <http://www.scifit.com/resources/specifications-manuals/>

أدلة التشغيل ومعلومات أخرى عن الجهاز متاحة على الموقع <http://www.scifit.com/resources/specifications-manuals/>

操作マニュアルおよびその他の製品情報については、<http://www.scifit.com/resources/specifications-manuals/> をご覧ください。

如需操作手册和其他产品信息，请登录：<http://www.scifit.com/resources/specifications-manuals/>

操作手册和其他产品资讯请见 <http://www.scifit.com/resources/specifications-manuals/>

작동 설명서 및 기타 제품 정보는 <http://www.scifit.com/resources/specifications-manuals/> 에서 찾을 수 있습니다.

Trobareu el manual de funcionament i altra informació de producte a <http://www.scifit.com/resources/specifications-manuals/>

Mae Llawlyfrau Gweithredu a Gwybodaeth Arall am Beiriannau ar gael yn <http://www.scifit.com/resources/specifications-manuals/>

Die Betriebsanleitung und andere Produktinformationen erhalten Sie unter <http://www.scifit.com/resources/specifications-manuals/>

Encontrará el manual de funcionamiento y otra información de producto en <http://www.scifit.com/resources/specifications-manuals/>

Erabiltzailearen Eskuliburua eta Beste Produktuei buruzko Informazioa eskuratu <http://www.scifit.com/resources/specifications-manuals/> gunean

Käyttöoppaat ja muut tuotetiedot ovat saatavana osoitteessa <http://www.scifit.com/resources/specifications-manuals/>

Les manuels d'utilisation, ainsi que d'autres informations sur les Produits, sont disponibles sur <http://www.scifit.com/resources/specifications-manuals/>

Felhasználói kézikönyvek és más termékinformációk: <http://www.scifit.com/resources/specifications-manuals/>

Manuali di funzionamento e altre informazioni sui prodotti disponibili su <http://www.scifit.com/resources/specifications-manuals/>

Instrukcje obsługi i inne informacje o produktach dostępne na stronie <http://www.scifit.com/resources/specifications-manuals/>

Manuais de Operação e Informações sobre outros produtos disponíveis em <http://www.scifit.com/resources/specifications-manuals/>

Руководства по эксплуатации и другую касающуюся нашей продукции информацию можно найти, перейдя по ссылке <http://www.scifit.com/resources/specifications-manuals/>

Kullanım Kılavuzları ve Diğer Ürün Bilgileri <http://www.scifit.com/resources/specifications-manuals/> da bulunmaktadır

# Table of Contents

## Safety

Introduction.....	6
Safety Information.....	6

## Assembly

Attach Wheelchair Platforms (PRO1 Seated Models Only).....	8
Attach Main Body To Base Frame.....	10
Attach Console.....	12
Attach Upper Cranks.....	14
Attach Foot Rests (PRO1 Seated Models Only).....	16
Attach Platforms (PRO1 Sport).....	17
Seat Mounting (PRO1 Seated).....	18
Machine Relocation PRO1 Seated and PRO1 Sport.....	19

## Specifications

Specifications PRO1/PRO1 Sport.....	21
-------------------------------------	----

## Warranty

What is Covered.....	23
Who is Covered.....	23
How long is it covered.....	23
Who Pays Transportation and Insurance For Service.....	23
What We Will Do To Correct Covered Defects.....	23
What is not covered.....	23
What you must do.....	23
How to get replacement parts and service.....	24
Exclusive Warranty.....	24
Changes in Warranty Not Authorized.....	24
Effects of State Laws.....	24
Our Pledge To You.....	24

# Safety

## Introduction

---

Thank you for your purchase of this SCIFIT exercise machine. We have incorporated the finest technology and ergonomic design into this machine to assist you in achieving your fitness goals.

This SCIFIT machine is designed for class “S” (commercial) and class “A” (high accuracy) and class “II a” (medical directive) applications. The intended uses are for general health and wellness, cardio & pulmonary rehabilitation, sports medicine, physical therapy, physical conditioning and strength training. SCIFIT equipment are suitable for placement in medical, wellness, fitness, and recreational facilities. The machine has 191 levels of console controlled resistance, which ensures that users of all fitness levels will be able to get a challenging but not overwhelming workout.


To review the latest guidelines and recommendations, visit the American College of Sports Medicine website: [www.acsm.org](http://www.acsm.org)


## FCC Warning - Possible Radio / Television Interference


This equipment has been tested and found to comply with the limits for a Class A digital device, pursuant to part 15 of the FCC rules. These limits are designed to provide reasonable protection against harmful interference when the equipment is operated in a commercial environment. This equipment generates, uses and can radiate radio frequency energy, and if not installed and used in accordance with the instruction manual, may cause harmful interference to radio communications. Operation of this equipment in a residential area is likely to cause harmful interference in which case the user will be required to correct the interference at his own expense.


## Safety Information


---

 **DANGER:** To reduce the risk of electrical shock or injury from moving parts, always unplug the machine before cleaning or attempting any maintenance activity.

 **WARNING:** Health-related injuries may result from incorrect or excessive use of exercise equipment. It is STRONGLY recommended seeing a physician for a complete medical exam before undertaking an exercise program, particularly if the user has a family history of high blood pressure or heart disease, is over the age of 45, smokes, has high cholesterol, is obese, or has not exercised regularly in the past year. If, at any time while exercising, the user experiences faintness, dizziness, pain, or shortness of breath, he or she must stop well immediately.

 **WARNING:** To reduce the risk of burns, fire, electrical shock, or injury, it is imperative to connect each product to a properly grounded electrical outlet.

 **WARNING:** Heart rate monitoring systems may be inaccurate. Over exercising may result in serious injury or death. If you feel faint, stop exercising immediately.

 **WARNING:** Allow a distance of 40 in. (1m) between the widest part of the machine and other objects on either side. Provide 40 in (1m) between the front or rear of the SCIFIT machine to any other objects.

 **CAUTION:** Any changes or modifications to this equipment could void the product warranty.

- Read all warnings and instructions on each product prior to using your exercise machine. Save these instructions for future reference.
- If warnings are missing or damaged, please contact customer service immediately for replacement warning labels. Warning labels are shipped with every product and should be installed before the product is used. SCIFIT is not responsible for missing or damaged warning labels.
- Use the exercise machine only for its intended purposes as described in this manual. Do not use attachments not recommended by the manufacturer.
- Never insert objects into any opening in these products. If an object should drop inside, turn off the power, unplug the power cord from the outlet, and carefully retrieve it. If the item cannot be reached, contact customer support services..

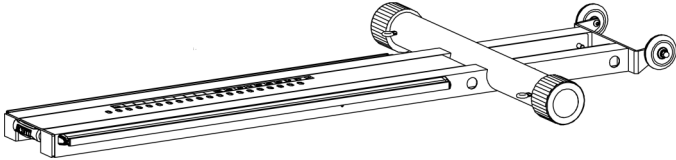
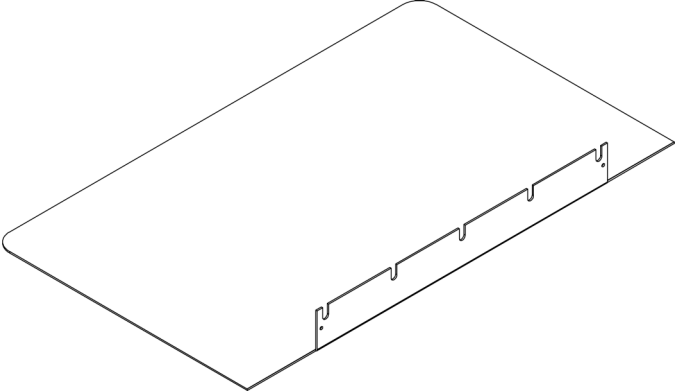
- This machine is intended for indoor use only. Do not place in direct sunlight, high humidity or where water is present (i.e. pool or spa areas).
- This machine is not intended for use by persons with reduced physical sensory or mental capabilities, or lack of experience and knowledge, unless they have been given supervision or instruction concerning use of the machine by a person responsible for their safety. Keep children under the age of 14 away from this machine.
- Never operate the machine with the air openings blocked. Keep air openings free of lint, hair, or any other obstructing material.
- Never place liquids of any type directly on the unit, except in an accessory tray or holder. Containers with lids are recommended. Do not use these products in bare feet. Always wear shoes. Wear shoes with rubber or high-traction soles. Do not use shoes with heels, leather soles, cleats or spikes. Make sure no stones are embedded in the soles.
- Keep all loose clothing, shoelaces, and towels away from moving parts.
- Do not reach into, or underneath, the unit or tip it on its side during operation.
- Do not allow other people to interfere in any way with the user or equipment during a workout.
- The product should never be left unattended when plugged in. Disconnect from the electrical outlet when not in use, and before putting on or taking off parts.
- Free standing equipment shall be installed on a stable and leveled surface.
- Do not stand or sit on plastic shrouds.
- Use caution when mounting or dismounting the machine. Use the stationary handlebar whenever additional stability is required.
- Health and Environmental Regulations Warning - This product may contain chemicals known to the State of California to cause cancer, birth defects, or other reproductive harm. For more information related to the European Commission Regulation (EC) No. 1907/2006 (REACH) and the California Safe Drinking Water and Toxic Enforcement Act of 1986 (Proposition 65), please visit <https://www.lftechsupport.com/web/guest/environmental-regulations-information>.

# Assembly

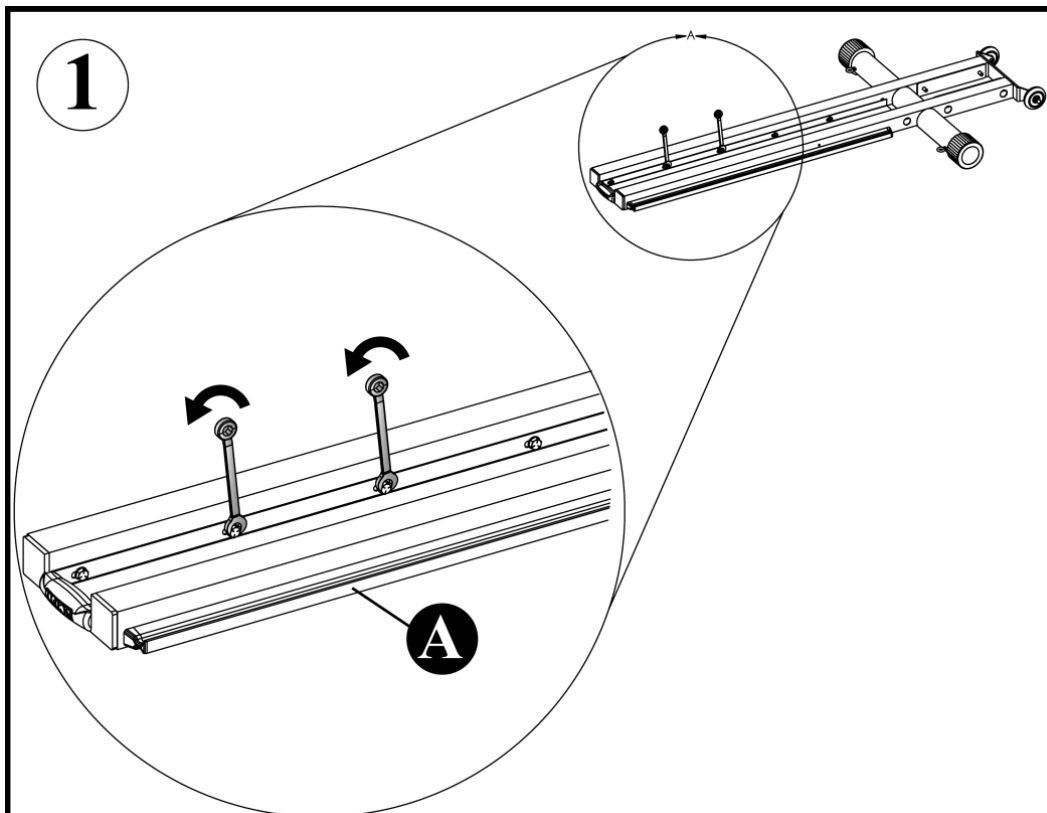
## Attach Wheelchair Platforms (PRO1 Seated Models Only)

### Tools Required:

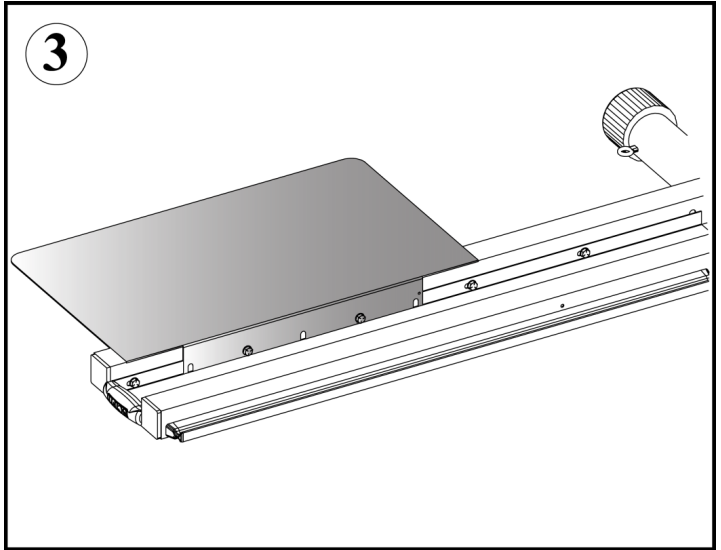
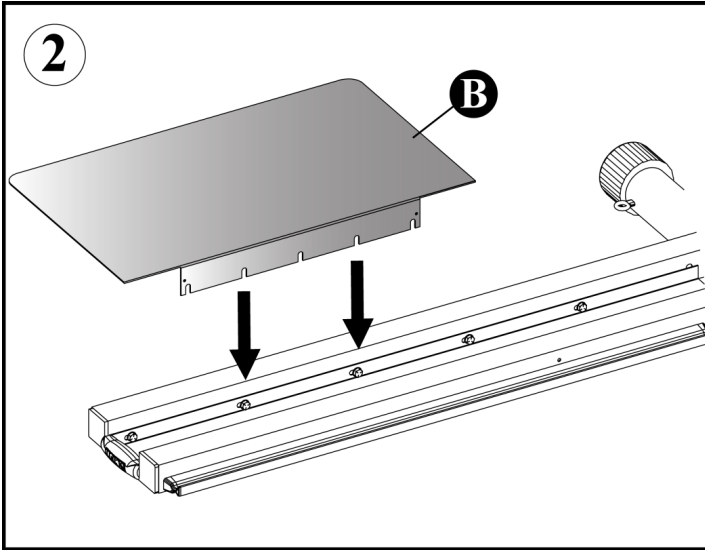
- 1/2 (13mm) Wrench

Component	
<b>A</b>	<b>B</b>
Base Frame	Wheelchair Platform
Qty. 1	Qty. 2
	

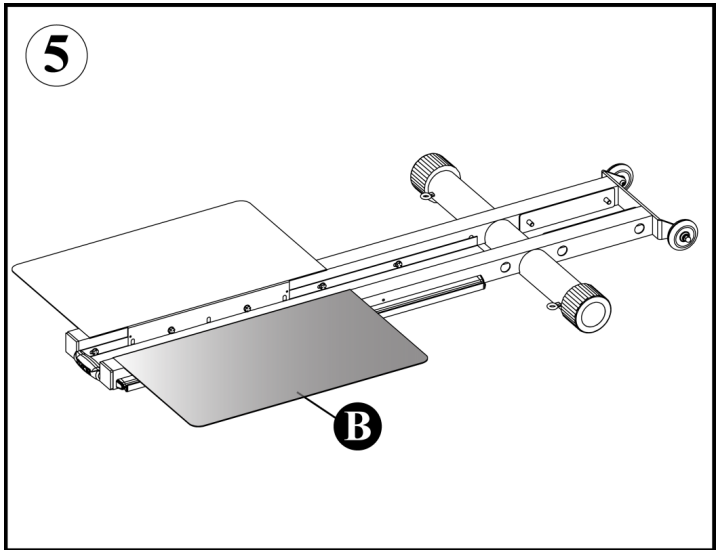
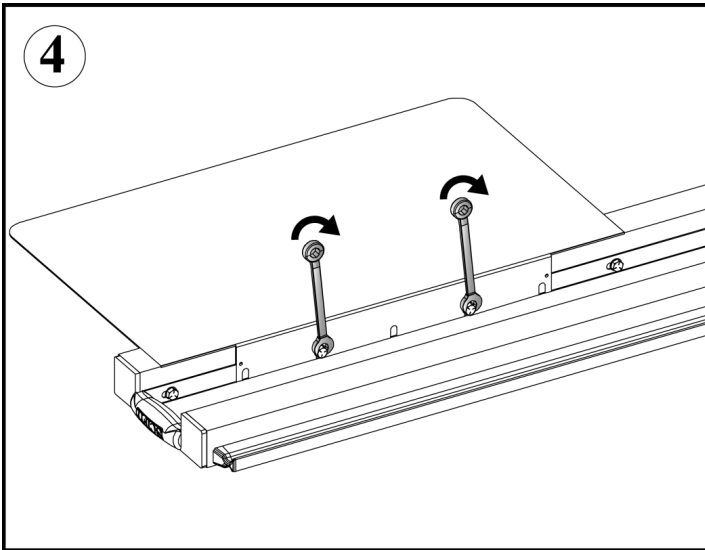
Turn over the base frame and LOOSEN "DO NOT REMOVE" the 2nd and 3rd mounting bolts.



Align the 2nd and 4th U-shaped cut-outs of the 1st platform with the bolts, then slide it between the washer and frame.



Tighten the bolts, then repeat steps 2, 3 and 4 for the 2nd platform, then turn over the frame with attached platforms.



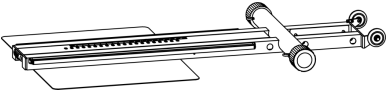

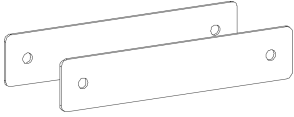
## Attach Main Body To Base Frame

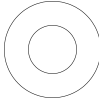
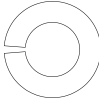
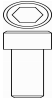
**⚠ ATTENTION:** The main body and base frame assembly should be done without the seat assembly mounted on the unit for easier handling, bodily injury prevention and damage to the frame. This section only explains the assembly of the main body and base frame.

**⚠ ATTENTION:** TWO PEOPLE REQUIRED

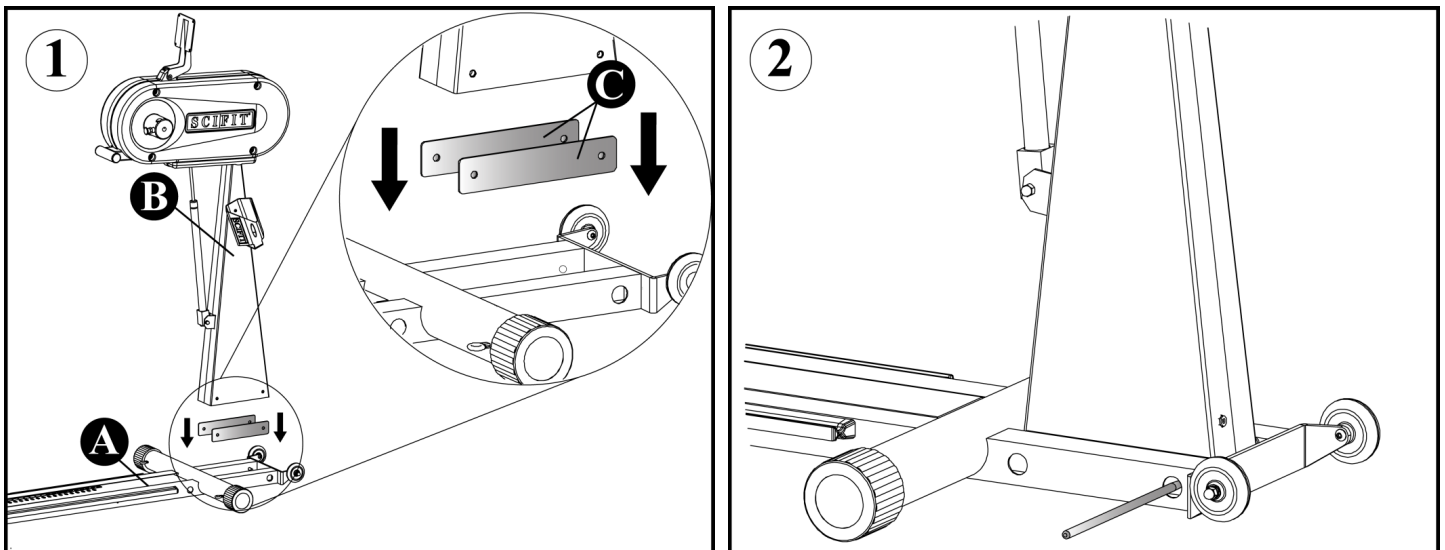
### Tools Required:

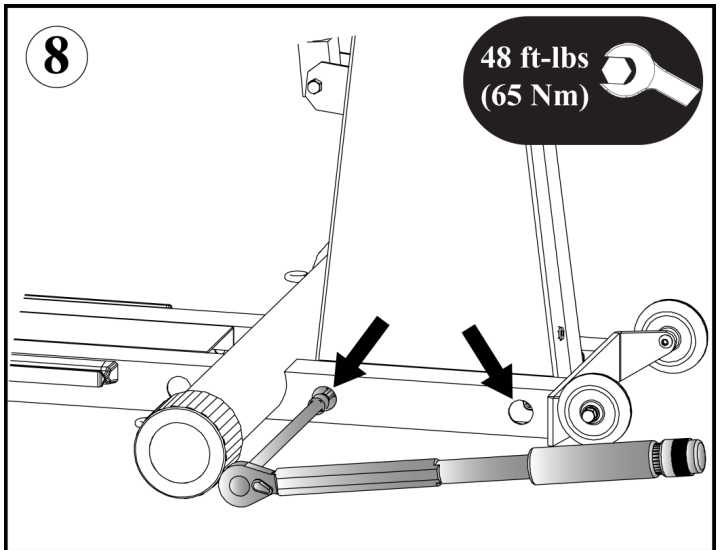
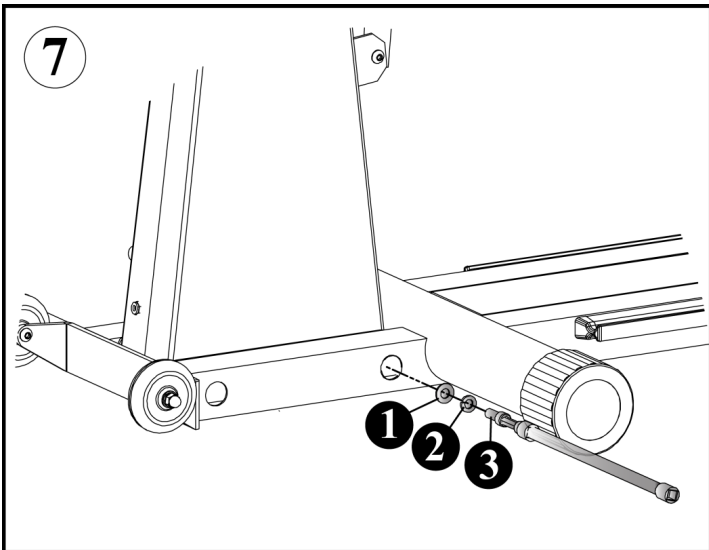
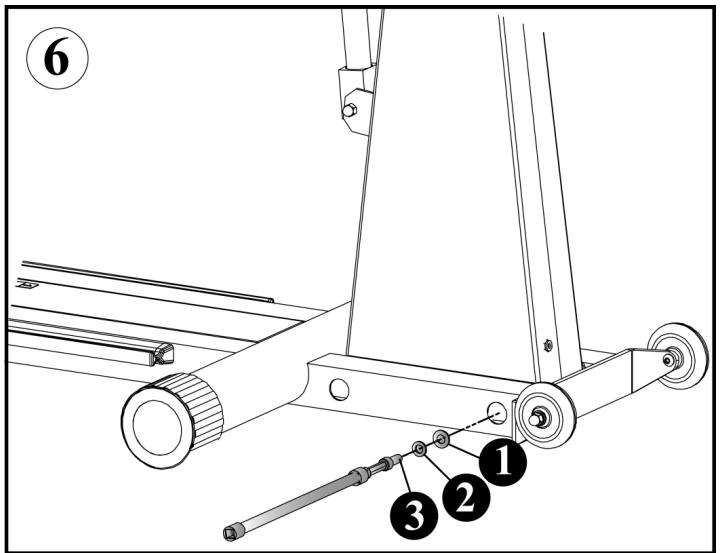
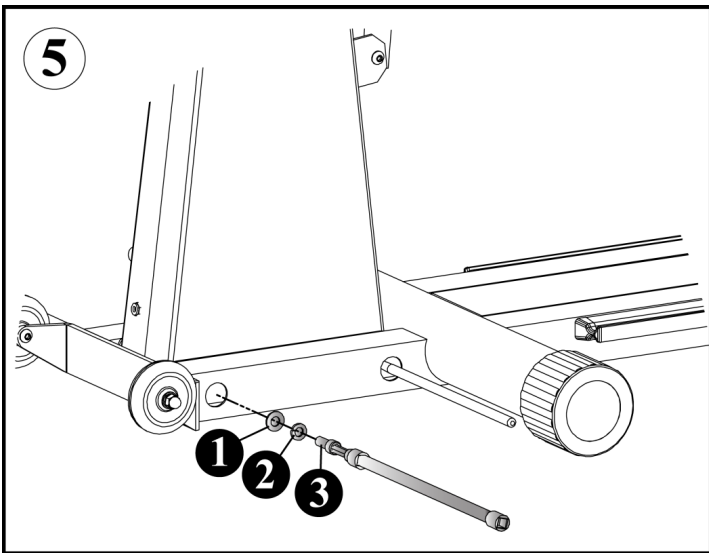
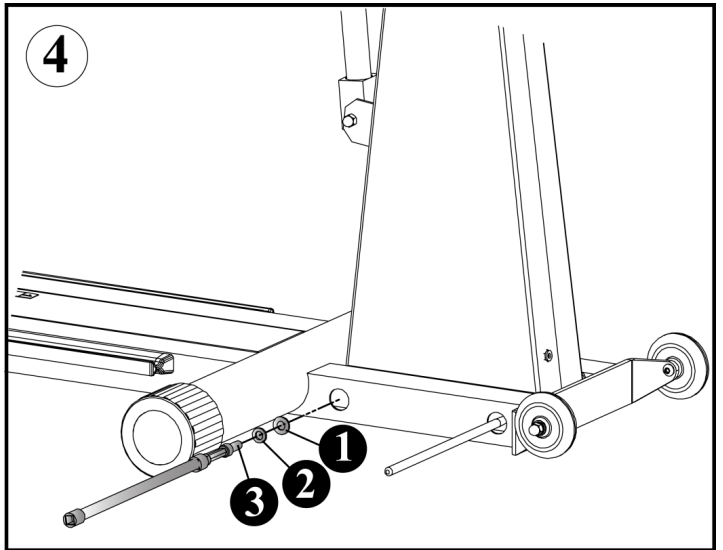
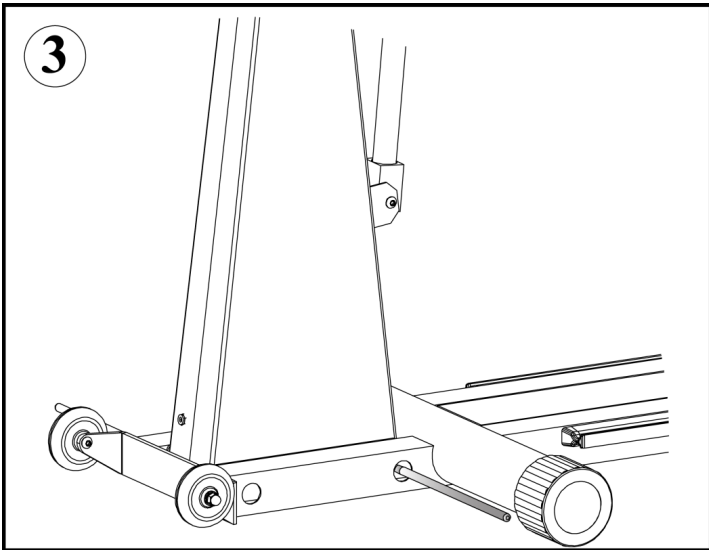
- Torque Wrench Set At 48 ft-lbs (65Nm)
- 12" (30.5 cm) Center Punch (Qty. 2)
- 12" (30.5cm) Ratchet Extension
- 5/16" (8mm) Allen Hex Bit

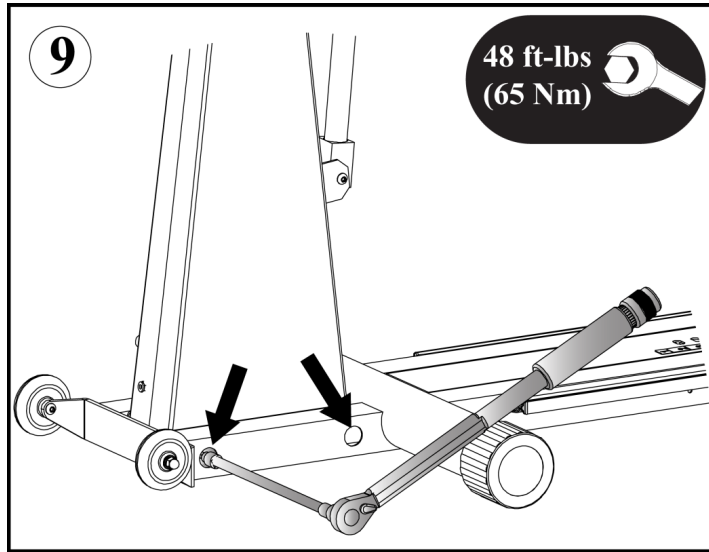
Component		
<b>A</b>	<b>B</b>	<b>C</b>
Base Frame	Main Body	Shims
Qty. 1	Qty. 1	Qty. 2
		

Hardware		
<b>1</b>	<b>2</b>	<b>3</b>
Washer, Flat, 3/8"	Washer, Split, 3/8"	Screw, 3/8"-16 x 1", Socket
Qty. 4	Qty. 4	Qty. 4
		


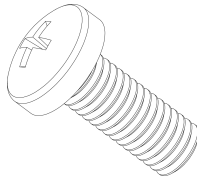
**👉 NOTE:** Verify the shims are between the mast and the base frame when installing in step 1.







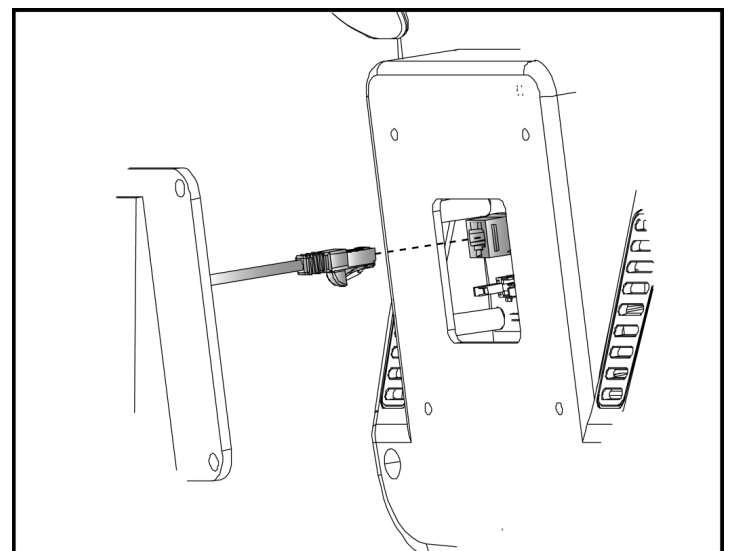
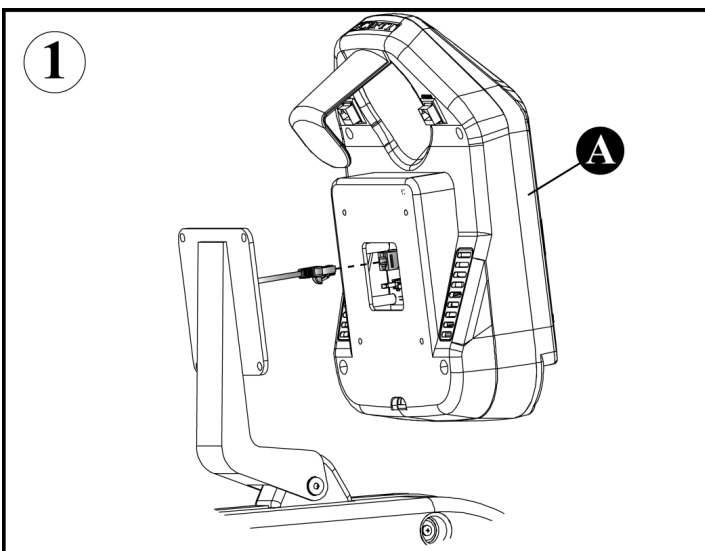
## Attach Console

Component	Hardware
<b>A</b>	<b>1</b>
Intelli-Fit Console	Screw, M5 x 12mm, Phillips, Black Zinc
Qty. 1	Qty. 4
	


### Tools Required:

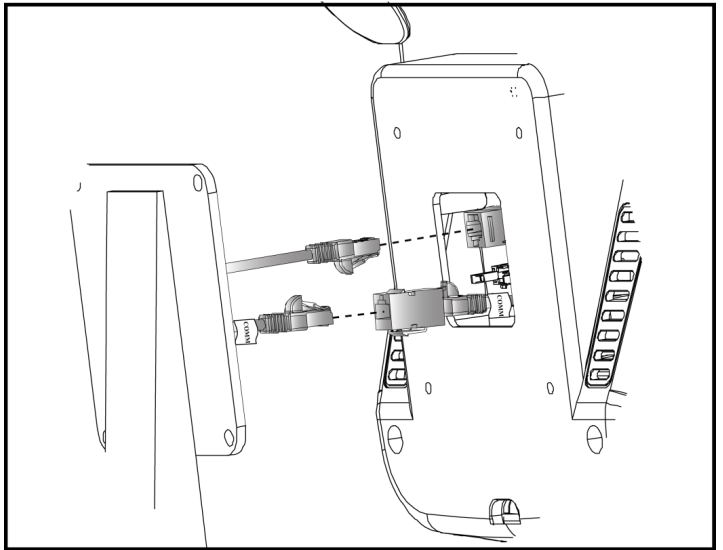
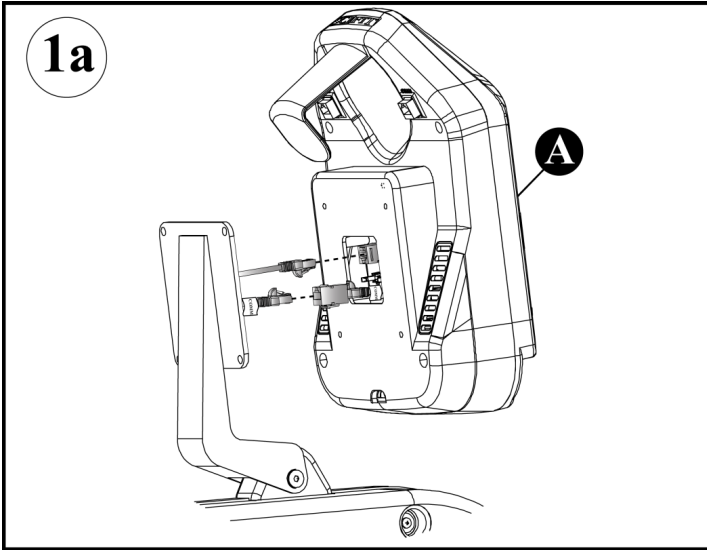
- Phillips Screw Driver

### Standard PRO1 Models:

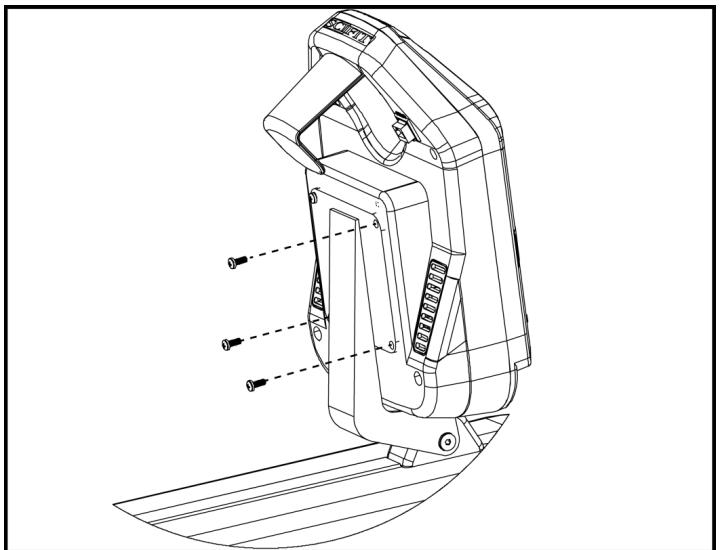
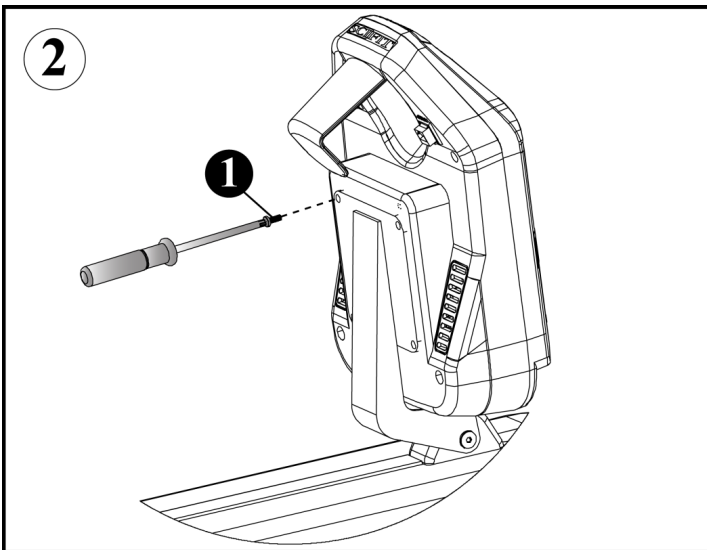


**PRO1 HUR/ERGO Models:**

 **NOTE:** The HUR/ERGO cables from the machine and the console have a decal with the word "COMM" attached and should be connect together.



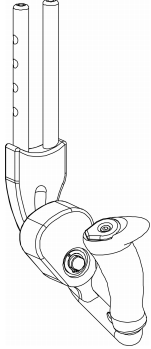
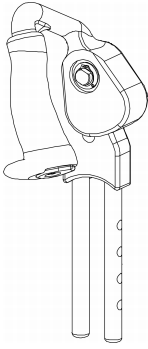
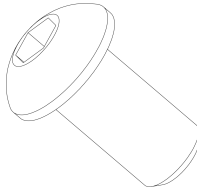
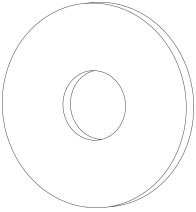
Secure the console to the console mounting plate with 4 screws, using a phillips screw driver.



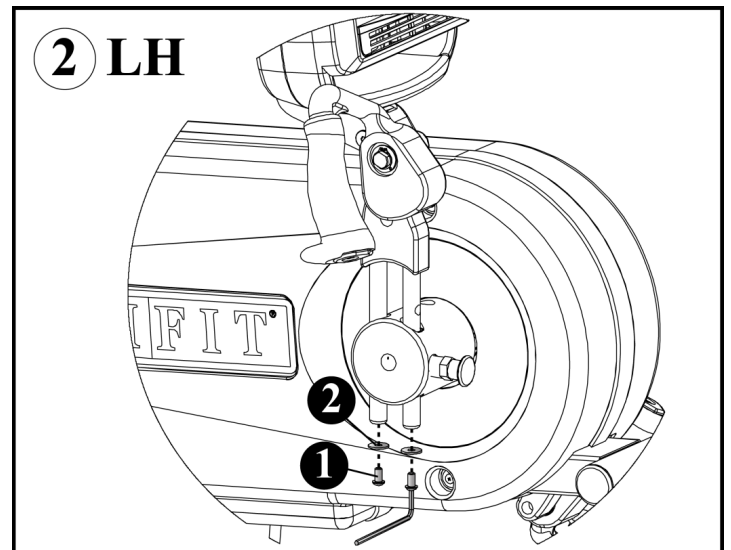
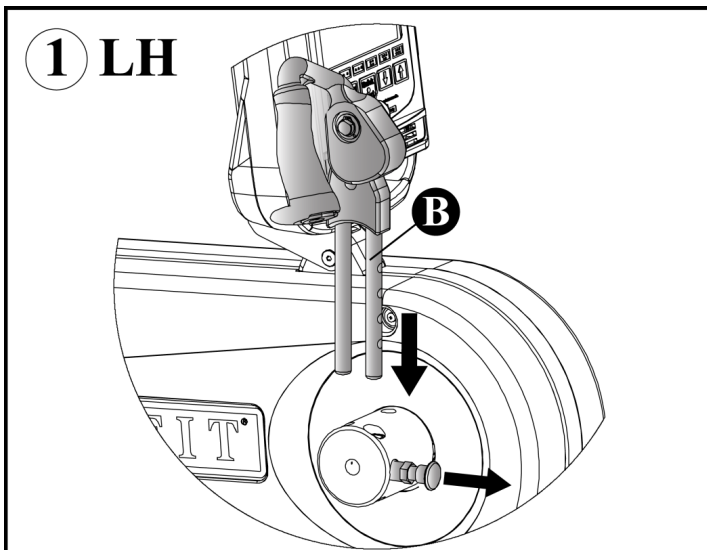
# Attach Upper Cranks

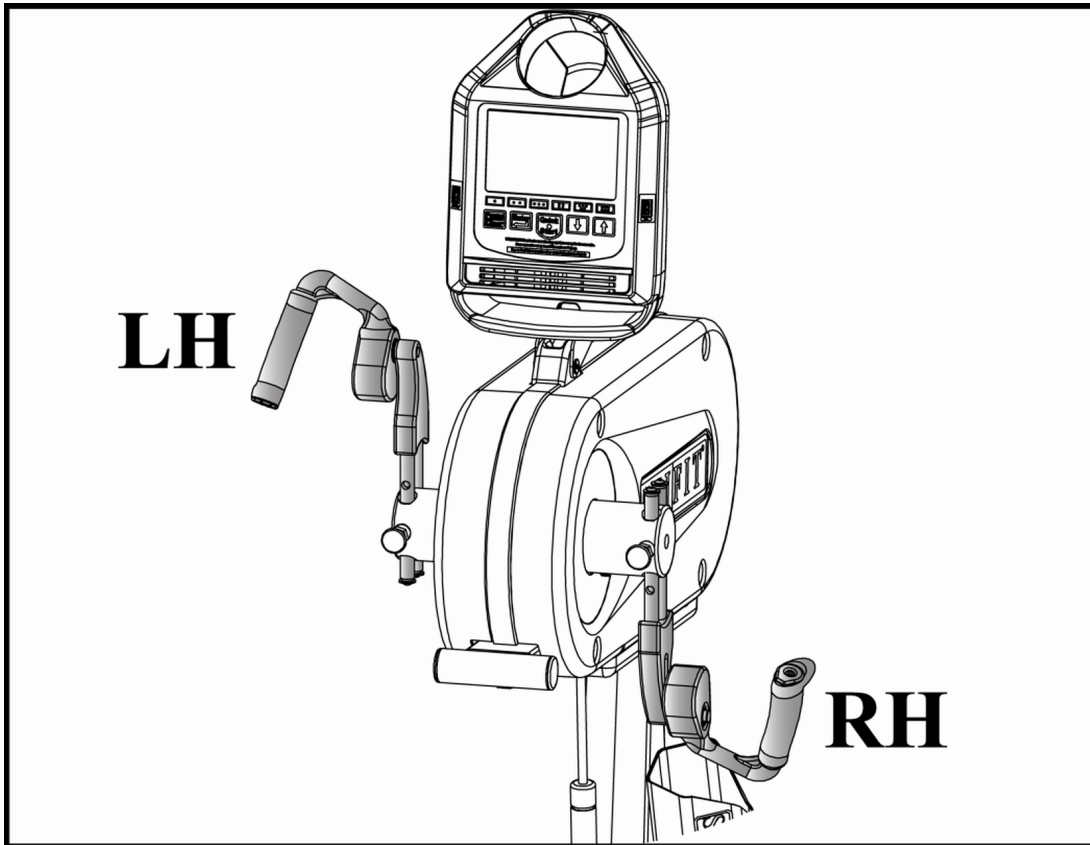
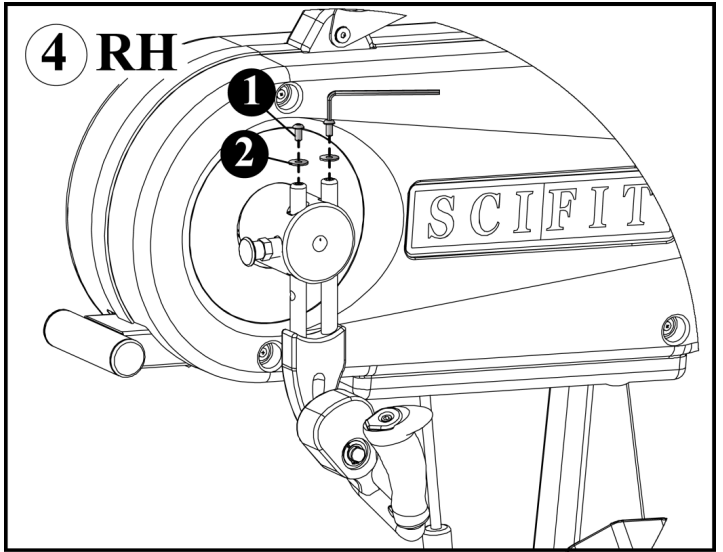
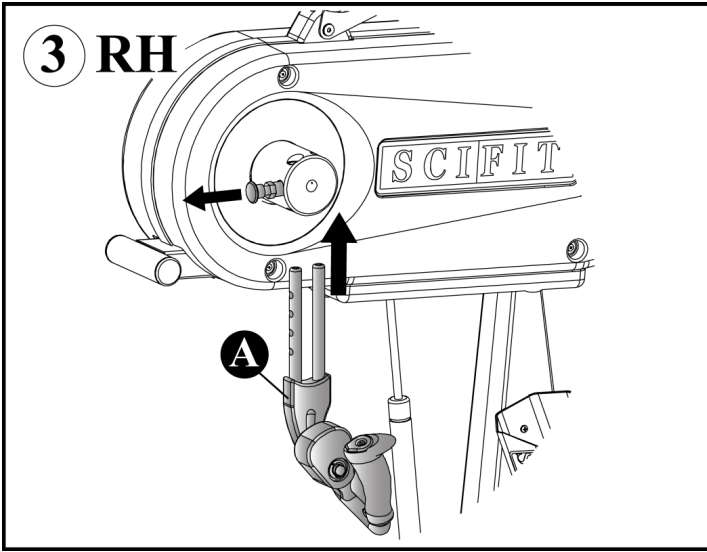
## Tools Required:

- 5/32" (4mm) Allen Hex Wrench (Supplied with machine)

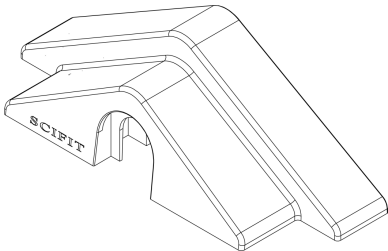
Component		Hardware	
A	B	1	2
Right Crank	Left Crank	Screw, 1/4"-20 x 1/2", Socket Button HD	Washer, Flat, .25 ID x .835 OD
Qty. 1	Qty. 1	Qty. 4	Qty. 4
			

**⚠ ATTENTION:** Failure to install the washers and screws may cause injury, if crank is facing downward and adjustments are made.

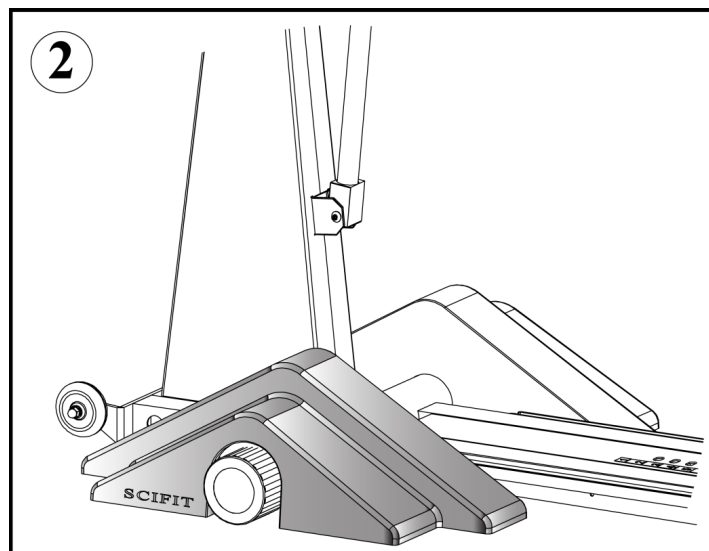
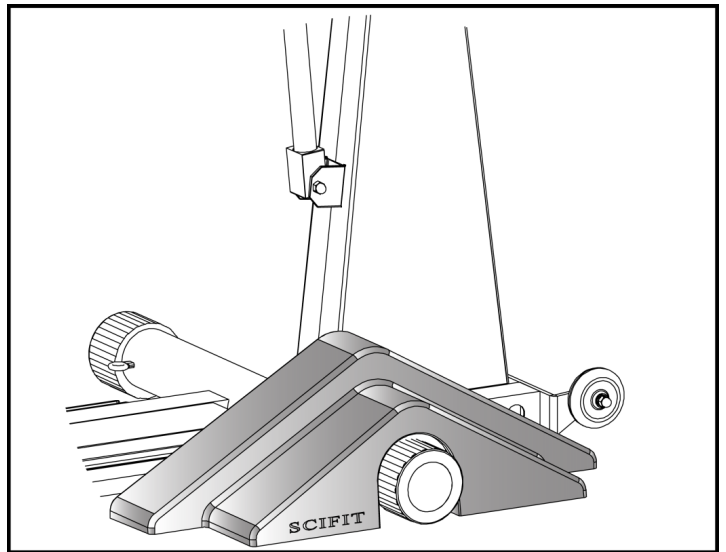
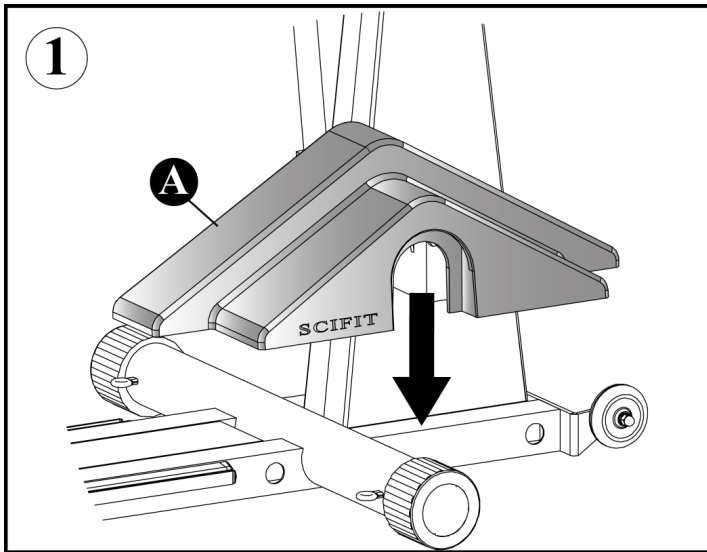




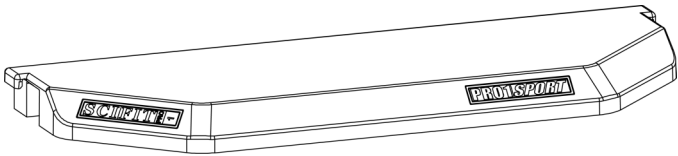
## Attach Foot Rests (PRO1 Seated Models Only)

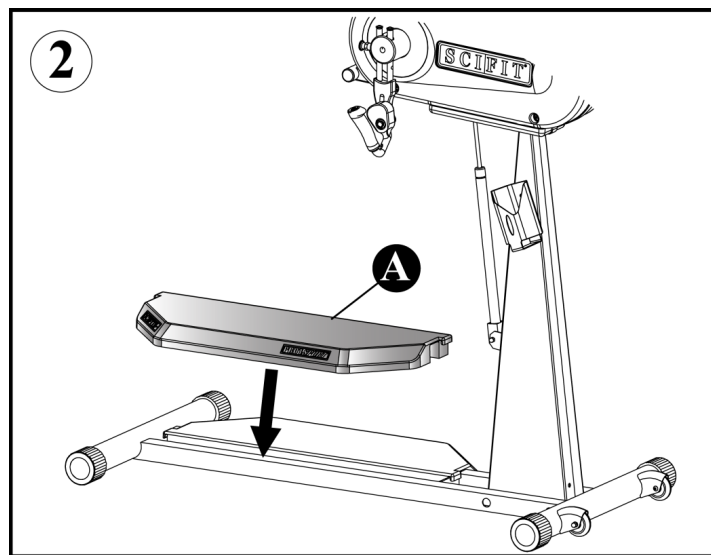
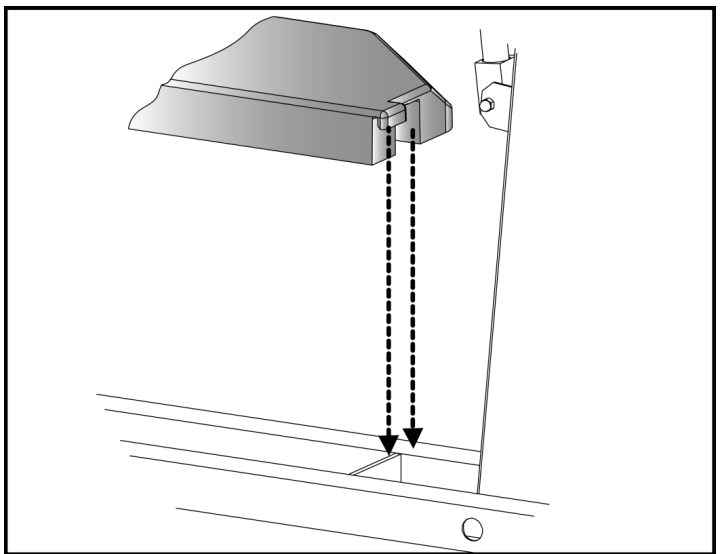
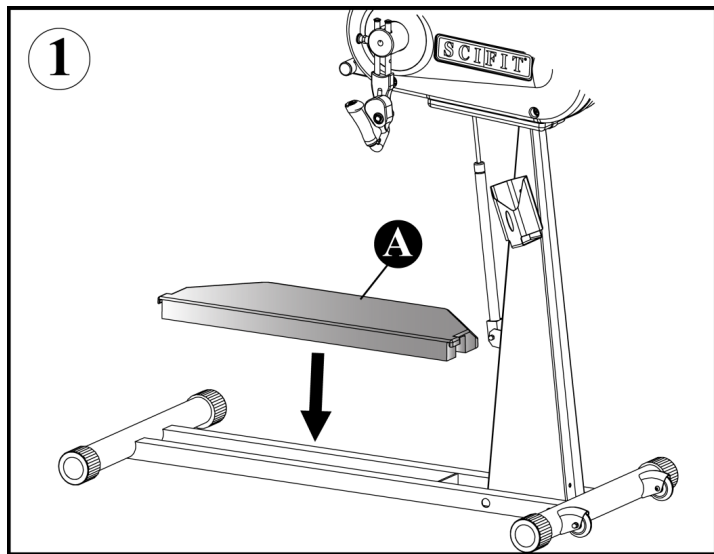
Component
<b>A</b>
Molded Foot Rest
Qty. 2


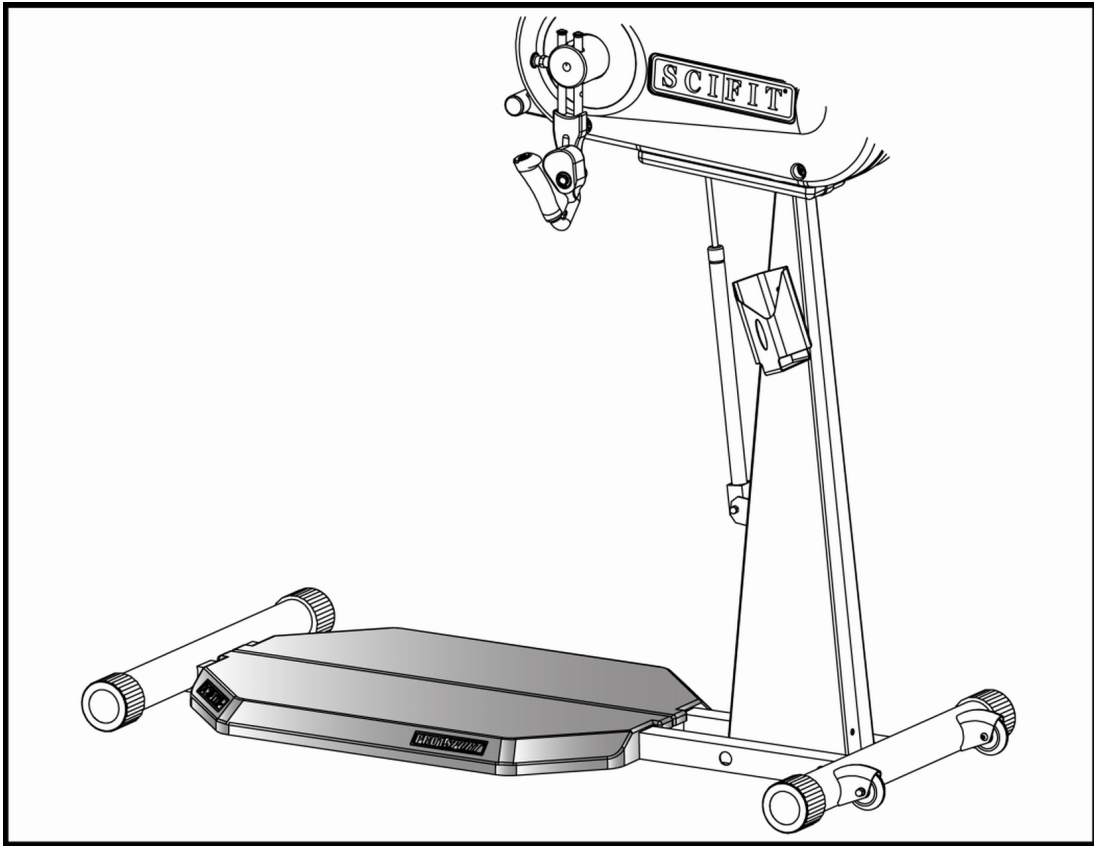
 **NOTE:** The word "SCIFIT" should be facing outward.



# Attach Platforms (PRO1 Sport)

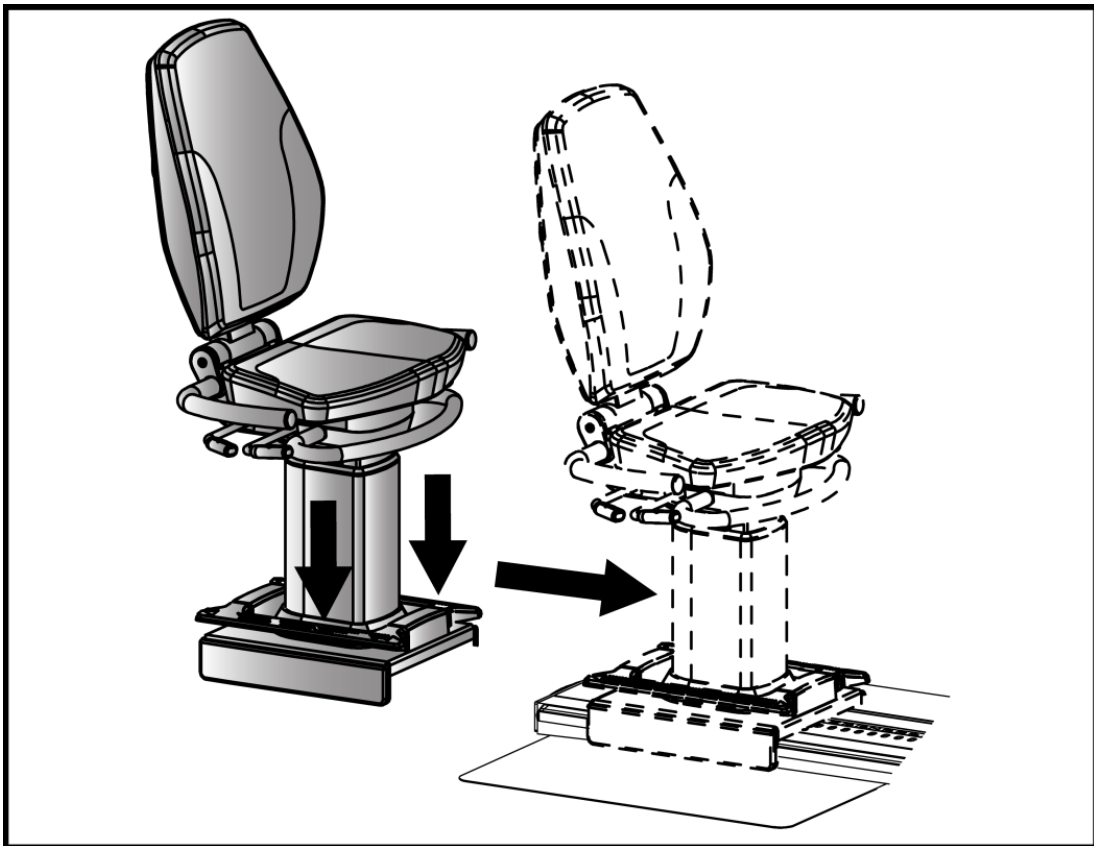
Component
<b>A</b>
PRO1 Sport Platform
Qty. 2






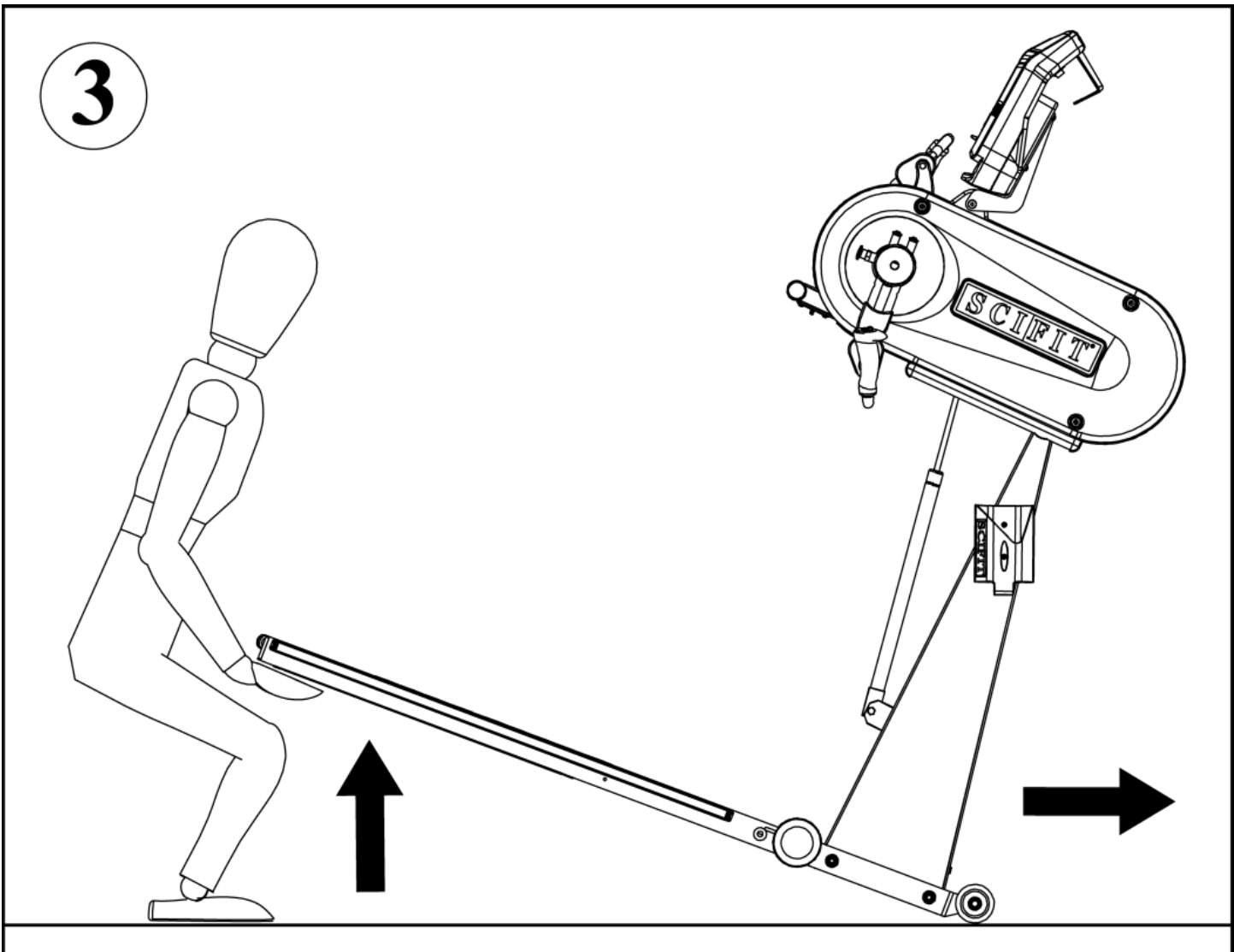
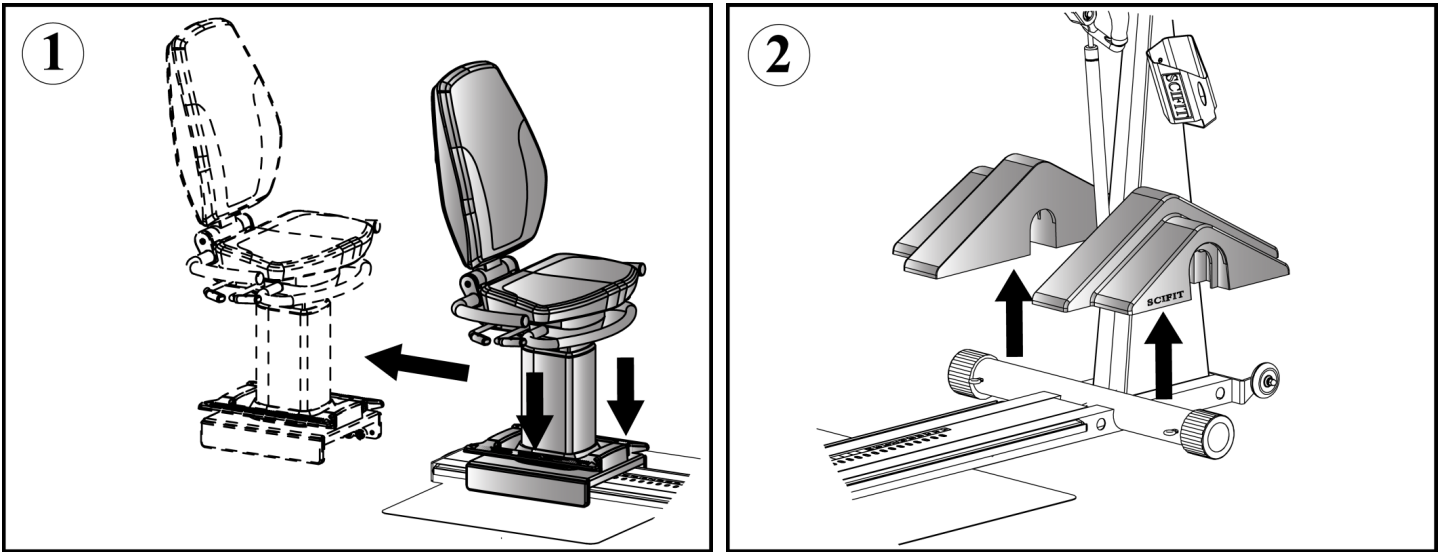
**Seat Mounting (PRO1 Seated)**

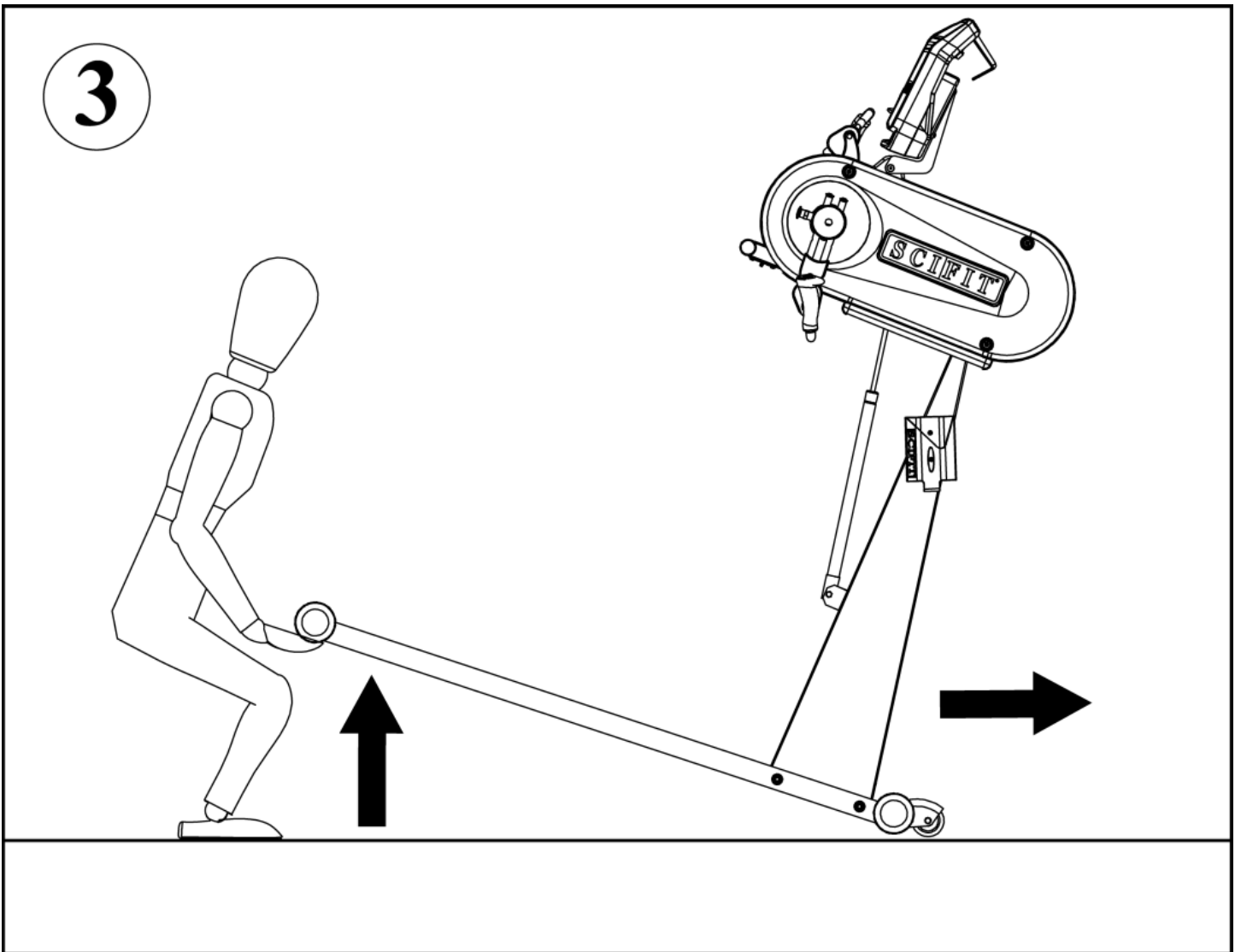
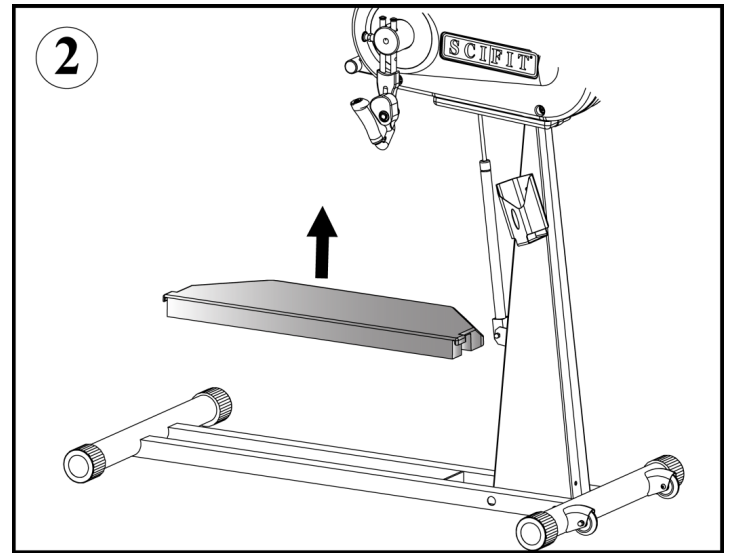
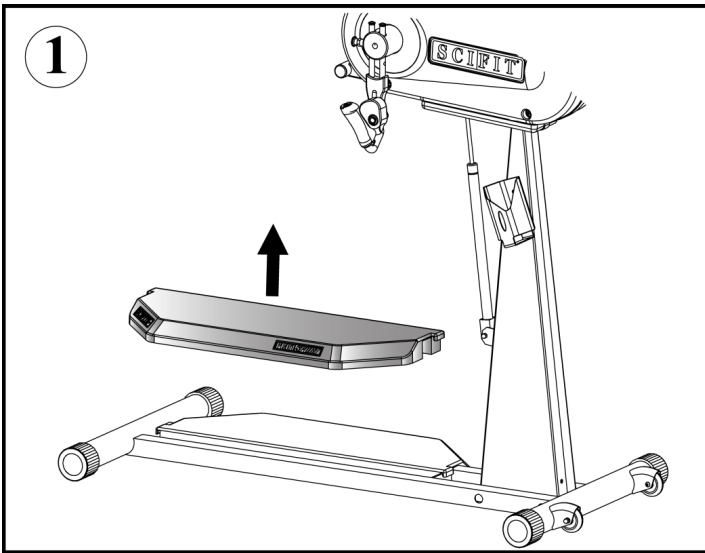
---



# Machine Relocation PRO1 Seated and PRO1 Sport

## PRO1 SEATED



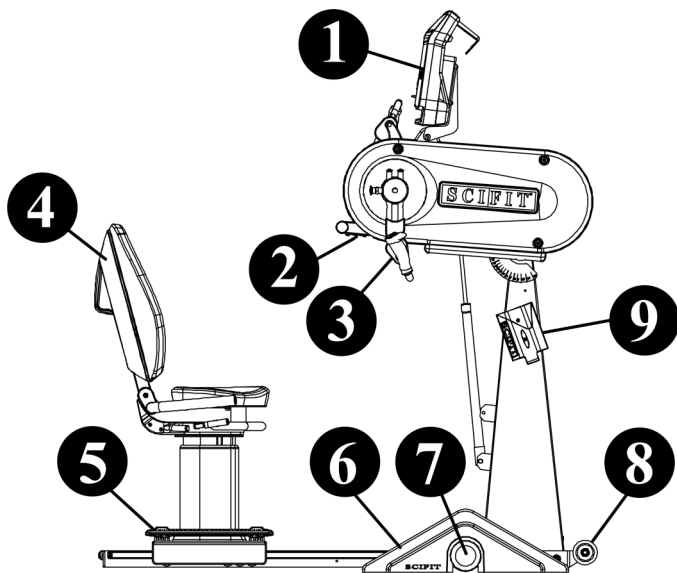


# Specifications

## Specifications PRO1/PRO1 Sport

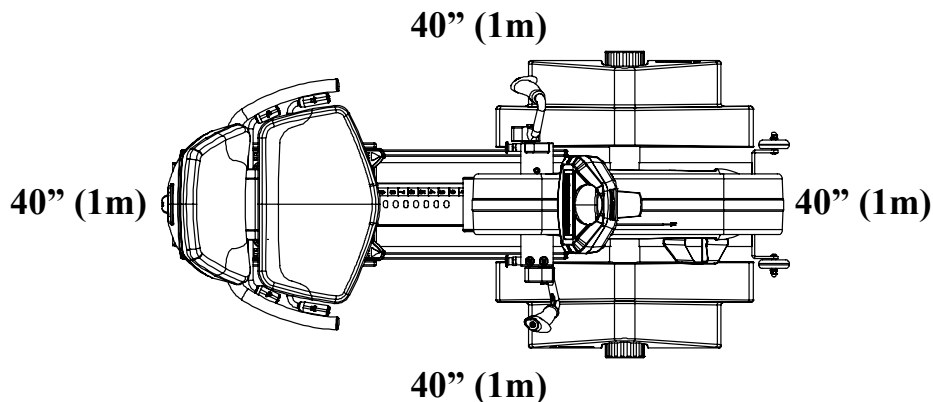
Weight	PRO1 Seated: 248 lbs. (112 Kg.), PRO1 Sport: 178 lbs (81 Kg)
Max User Weight	450 lbs. (204 Kg) Premium, 500 lbs (227 Kg) Standard, 600 lbs. (272 kg.) Bariatric
Power	Self generating w/auto recharge battery back-up. Standard low voltage AC adapter wall pack.
Resistance System	Electromagnetic Self Generating Bi-directional Resistance
Programs	Manual, Fit Quik, Constant Workout, ISO-Strength, 7 Pre-programmed Hills profiles, Heart Rate, Power Fit, Heart Fit , Stress Test and Random
Accuracy Class	Class A
Length	PRO1 Seated and PRO1 Sport: 60" (152 cm)
Width	PRO1 Seated and PRO1 Sport: 30" (76 cm),
Height	PRO1 Seated: 67" (170 cm), PRO1 Sport: 74" (188 cm)

### PRO1 Seated

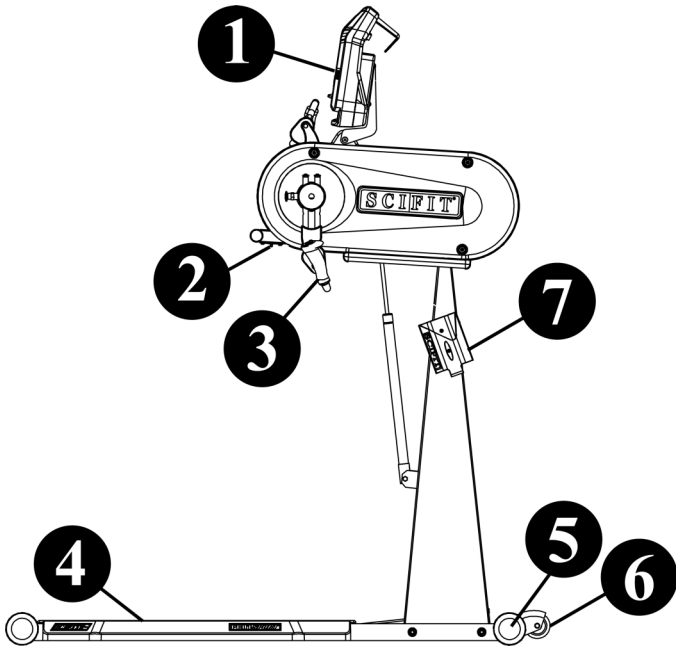


1	Intelli-Fit Console
2	Main Body Angle Positioning Lever
3	Adjustable Crank Arms
4	Ergonomic Seat Assembly (Premium Shown)
5	Forward/Backward Seat Adjustment Foot Lever
6	Molded Foot Rest
7	Leveling Endcaps
8	Transport Wheels
9	Water Bottle Holder

### PRO1 Seated safety perimeter.

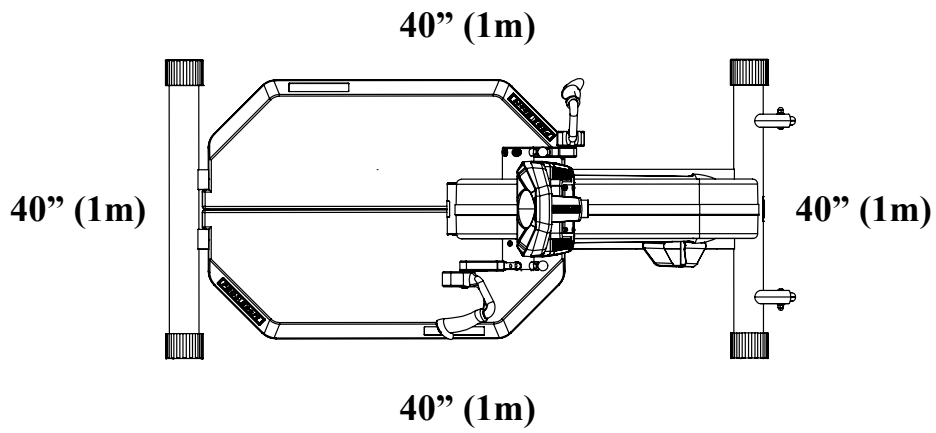


**PRO1 Sport**



1	Intelli-Fit Console
2	Main Body Angle Positioning Lever
3	Adjustable Crank Arms
4	Molded Platforms
5	Leveling Endcaps
6	Transport Wheels
7	Water Bottle Holder

**PRO1 Sport Safety perimeter.**



# Warranty

## What is Covered

---

This SCIFIT commercial exercise equipment product is warranted to be free of all defects in material and workmanship.

## Who is Covered

---

The original purchaser or any person receiving the product as a gift from the original purchaser.

## How long is it covered

---

All coverage is provided by specific Product according to the guidelines listed on the chart below.

Item	6 Months	1 Year	2 Years	3 Years	5 Years
Frame					X
Electrical				X	
Mechanical				X	
Labor		X			
Cranks/Drive Syst. (Latitude Only)			X		
Upholstery, Seats, Grips, Walk belts, Decks		X			
Battery		X			
High Wear Items (HeartRate Straps, Pedal Straps)	X				

## Who Pays Transportation and Insurance For Service

---

If the Product or any covered part must be returned to a service facility for repairs, We, SCIFIT, will pay all transportation and insurance charges for the first year. You are responsible for transportation and insurance charge after the first year.

## What We Will Do To Correct Covered Defects

---

We will ship to you any new or rebuilt replacement part or component, or at our option, replace the Product. Such replacement parts are warranted for the remaining portion of the original warranty period.

## What is not covered

---

Any failures or damage caused by unauthorized service, misuse, accident, negligence, improper assembly or installation, debris resulting from any construction activities in the Product's environment, rust or corrosion as a result of the Product's location, alterations or modifications without our written authorization or by failure on your part to use, operate and maintain the Product as set out in your Operation Manual ("Manual").

One type RJ45 interchangeable Network ready and Fitness Entertainment port is supplied with the Product. This port complies with the FitLinxx CSAFE specification dated August 4, 2004 stating: 4.75VDC to 10VDC; maximum current of 85mA. Any Product damage caused by a load exceeding this FitLinxx CSAFE specification is not covered by warranty.

All terms of this warranty are void if this product is moved beyond the continental borders of the United States of America (excluding Alaska, Hawaii and Canada) and are then subject to the terms provided by that country's local authorized SCIFIT representative.

Detailed warranty guidelines are available at: <http://www.scifit.com/service-information/>.

## What you must do

---

Register your Product online at <http://www.scifit.com/warranty-registration-2/>.

Retain proof of purchase; use, operate and maintain the Product as specified in the Manual; notify Customer Support Services of any defect within 10 days after discovery of the defect; if instructed, return any defective part for replacement or, if necessary, the entire Product for repair.

## **How to get replacement parts and service**

---

Refer to the front of this manual for your local service contact information. Reference your name, address and the serial number of your Product. They will tell you how to get a replacement part, or, if necessary, arrange for service where your Product is located.

## **Exclusive Warranty**

---

THIS LIMITED WARRANTY IS IN LIEU OF ALL OTHER WARRANTIES OF ANY KIND EITHER EXPRESSED OR IMPLIED, INCLUDING BUT NOT LIMITED TO THE IMPLIED WARRANTIES OF MERCHANTABILITY AND FITNESS FOR A PARTICULAR PURPOSE, AND ALL OTHER OBLIGATIONS OR LIABILITIES ON OUR PART. We neither assume nor authorize any person to assure for us any other obligation or liability concerning the sale of this Product. Under no circumstances shall we be liable under this warranty, or otherwise, of any damage to any person or property, including any lost profits or lost savings, for any special, indirect, secondary, incidental or consequential damages of any nature arising out of the use of or inability to use this Product. Some states do not allow the exclusion or limitation of implied warranties or of liability for incidental or consequential damages, so the above limitations or exclusions may not apply to you. Warranty coverages and terms may differ outside the United States. Please contact the SCIFIT office servicing your country (contact information found at the front of this manual) or visit the applicable local SCIFIT website to receive the specific warranty information for your country.

## **Changes in Warranty Not Authorized**

---

No one is authorized to change, modify or extend the terms of this limited warranty.

## **Effects of State Laws**

---

This warranty gives you specific legal rights, and you may have other rights which vary from state to state and country by country.

## **Our Pledge To You**

---

Our Products are designed and manufactured to the highest standards. We want you to be completely satisfied with our Products and will do everything possible under the terms of this warranty to keep you secure in knowing you have bought the best!



Prescribed for Progress™