



product information

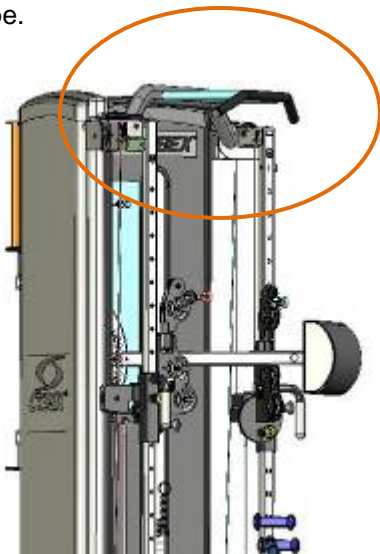
Volume 6

April 2009

FT-450 Updates

8800 Chin-Up Bar

All 8800 "Compact" versions are now shipping with the chin-up up bar originally shown on the prototype.



Compact to Tall Conversion Kit

The 8810K002 kit is available to convert the "Compact" 8800 configuration of the FT-450 to the "Tall" configuration of the 8810.

List Price: \$495

8820 FT-450 Bench

The bench designed specifically for use with the FT-450 is now available. This bench is "stool-like" to work in conjunction with the FT-450 to allow seated, stabilized movements like those pictured.

List Price: \$295