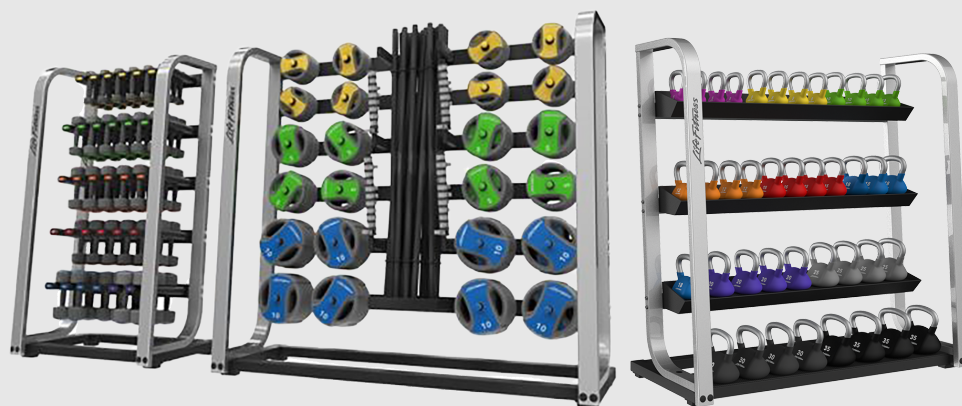


# Studio Collection

Barbell, Dumbbell, & Kettlebell Rack

Owner's Manual





# User and Service Documents Link

Operation Manuals and other Product Information available at  
<https://www.lftechsupport.com/web/document-library/documents>

أدلة التشغيل ومعلومات أخرى عن الجهاز متاحة على الموقع <https://www.lftechsupport.com/web/document-library/documents>

操作マニュアルおよびその他の製品情報については、<https://www.lftechsupport.com/web/document-library/documents> をご覧ください。

如需操作手册和其他产品信息，请登录：<https://www.lftechsupport.com/web/document-library/documents>

操作手册和其他产品资讯请见 <https://www.lftechsupport.com/web/document-library/documents>

작동 설명서 및 기타 제품 정보는 <https://www.lftechsupport.com/web/document-library/documents> 에서 찾을 수 있습니다.

Trobareu el manual de funcionament i altra informació de producte a  
<https://www.lftechsupport.com/web/document-library/documents>

Mae Llawlyfrau Gweithredu a Gwybodaeth Arall am Beiriannau ar gael yn  
<https://www.lftechsupport.com/web/document-library/documents>

Die Betriebsanleitung und andere Produktinformationen erhalten Sie unter  
<https://www.lftechsupport.com/web/document-library/documents>

Encontrará el manual de funcionamiento y otra información de producto en  
<https://www.lftechsupport.com/web/document-library/documents>

Erabiltzailearen Eskuliburua eta Beste Produktuei buruzko Informazioa eskuratu  
<https://www.lftechsupport.com/web/document-library/documents> gunean

Käyttöoppaat ja muut tuotetiedot ovat saatavana osoitteessa  
<https://www.lftechsupport.com/web/document-library/documents>

Les manuels d'utilisation, ainsi que d'autres informations sur les Produits, sont disponibles sur  
<https://www.lftechsupport.com/web/document-library/documents>

Felhasználói kézikönyvek és más termékinformációk: <https://www.lftechsupport.com/web/document-library/documents>

Manuali di funzionamento e altre informazioni sui prodotti disponibili su  
<https://www.lftechsupport.com/web/document-library/documents>

Instrukcje obsługi i inne informacje o produktach dostępne na stronie  
<https://www.lftechsupport.com/web/document-library/documents>

Manuais de Operação e Informações sobre outros produtos disponíveis em  
<https://www.lftechsupport.com/web/document-library/documents>

Руководства по эксплуатации и другую касающуюся нашей продукции информацию можно найти, перейдя по ссылке  
<https://www.lftechsupport.com/web/document-library/documents>

Kullanım Kılavuzları ve Diğer Ürün Bilgileri <https://www.lftechsupport.com/web/document-library/documents>'da bulunmaktadır

# Corporate Headquarters

Columbia Centre III, 9525 West Bryn Mawr Avenue, Rosemont, Illinois 60018 • U.S.A.  
847.288.3300 • FAX: 847.288.3703  
Service phone number: 800.351.3737 (toll-free within U.S.A., Canada)  
Global Website: [www.lifefitness.com](http://www.lifefitness.com)

## International Offices

### AMERICAS North America Life Fitness, Inc.

Columbia Centre III  
9525 West Bryn Mawr Avenue  
Rosemont, IL 60018 U.S.A.  
Telephone: (847) 288 3300  
Service Email: [customersupport@lifefitness.com](mailto:customersupport@lifefitness.com)  
Sales/Marketing Email:  
[commercialsales@lifefitness.com](mailto:commercialsales@lifefitness.com)

### United Kingdom Life Fitness UK LTD

Queen Adelaide  
Ely, Cambs, CB7 4UB  
Telephone: General Office (+44) 1353.666017  
Customer Support (+44) 1353.665507  
Service Email: [uk.support@lifefitness.com](mailto:uk.support@lifefitness.com)  
Sales/Marketing Email: [life@lifefitness.com](mailto:life@lifefitness.com)

### All Other EMEA Countries and Distributor Business EMEA\*

Bijdorpplein 25-31  
2992 LB Barendrecht  
THE NETHERLANDS  
Telephone: (+31) 180 646 644  
Service Email:  
[EMEAServiceSupport@lifefitness.com](mailto:EMEAServiceSupport@lifefitness.com)

### Brazil Life Fitness Brasil

Av. Rebouças, 2315  
Pinheiros  
São Paulo, SP 05401-300  
BRAZIL  
SAC: 0800 773 8282 option 2  
Telephone: +55 (11) 3095 5200 option 2  
Service Email: [suportebr@lifefitness.com](mailto:suportebr@lifefitness.com)  
Sales/Marketing Email: [vendasbr@lifefitness.com](mailto:vendasbr@lifefitness.com)

### Germany, Austria, and Switzerland Life Fitness Europe GMBH

Neuhofweg 9  
85716 Unterschleißheim  
GERMANY  
Telephone:  
+49 (0) 89 / 31775166 Germany  
+43 (0) 1 / 6157198 Austria  
+41 (0) 848 / 000901 Switzerland  
Service Email: [kundendienst@lifefitness.com](mailto:kundendienst@lifefitness.com)  
Sales/Marketing Email: [vertrieb@lifefitness.com](mailto:vertrieb@lifefitness.com)

### ASIA PACIFIC (AP) Japan

#### Life Fitness Japan, Ltd

4-17-33 Minami Aoyama 1F/B1F  
Minato-ku - Tokyo 107-0062  
Japan  
Telephone: (+81) 0120.114.482  
Fax: (+81) 03-5770-5059  
Service Email: [service.lf@lifefitness.com](mailto:service.lf@lifefitness.com)  
Sales/Marketing Email:  
[sales@lifefitnessjapan.com](mailto:sales@lifefitnessjapan.com)

### Latin America and Caribbean\* Life Fitness, Inc.

Columbia Centre III  
9525 West Bryn Mawr Avenue  
Rosemont, IL 60018 U.S.A.  
Telephone: (847) 288 3300  
Service Email: [customersupport@lifefitness.com](mailto:customersupport@lifefitness.com)  
Sales/Marketing Email:  
[commercialsales@lifefitness.com](mailto:commercialsales@lifefitness.com)

### Spain Life Fitness IBERIA

C/Frederic Mompou 5,1ª<sup>a</sup>  
08960 Sant Just Desvern Barcelona  
SPAIN  
Telephone: (+34) 93.672.4660  
Service Email: [servicio.tecnico@lifefitness.com](mailto:servicio.tecnico@lifefitness.com)  
Sales/Marketing Email:  
[info.iberia@lifefitness.com](mailto:info.iberia@lifefitness.com)

### Hong Kong Life Fitness Asia Pacific LTD

32/F, Global Trade Square  
21 Wong Chuk Hang Road  
Hong Kong  
Telephone: (+852) 2575.6262  
Service Email: [Service.HK@lifefitness.com](mailto:Service.HK@lifefitness.com)  
Sales/Marketing Email:  
[hongkong.sales@lifefitness.com](mailto:hongkong.sales@lifefitness.com)

### EUROPE, MIDDLE EAST, and AFRICA (EMEA) Netherlands and Luxemburg Life Fitness Atlantic BV

Bijdorpplein 25-31  
2992 LB Barendrecht  
THE NETHERLANDS  
Telephone: (+31) 180 646 666  
Service Email: [service.benelux@lifefitness.com](mailto:service.benelux@lifefitness.com)  
Sales/Marketing Email:  
[marketing.benelux@lifefitness.com](mailto:marketing.benelux@lifefitness.com)

### Belgium Life Fitness Benelux NV

Parc Industriel de Petit-Rechain  
4800 Verviers  
BELGIUM  
Telephone: (+32) 87 300 942  
Service Email: [service.benelux@lifefitness.com](mailto:service.benelux@lifefitness.com)  
Sales/Marketing Email:  
[marketing.benelux@lifefitness.com](mailto:marketing.benelux@lifefitness.com)

### All Other Asia Pacific countries and distributor business Asia Pacific\*

32/F, Global Trade Square  
21 Wong Chuk Hang Road  
Hong Kong  
Telephone: (+852) 2575.6262  
Fax: (+852) 2575.6894  
Service Email: [Service.AP@lifefitness.com](mailto:Service.AP@lifefitness.com)  
Sales/Marketing Email:  
[Marketing.HK.Asia@lifefitness.com](mailto:Marketing.HK.Asia@lifefitness.com)

\*Also check [www.lifefitness.com](http://www.lifefitness.com) for local representation or distributor/dealer

# Table of Contents

## User and Service Documents Link

### Corporate Headquarters

#### Safety

Safety Information.....	6
Access Control.....	6
Installation.....	6
Proper Usage.....	6
Inspection.....	6
Operating Warnings.....	6
Plate Loaded, Free Weight, and Body Weight Systems.....	7
Warning Labels.....	7

#### Overview

Barbell Rack.....	8
Dumbbell Rack.....	8
Kettlebell Rack.....	8

#### Service and Technical Data

Maintenance Schedule.....	9
Clean.....	10
Wax.....	10
Inspect.....	10
Approved and Compatible Cleaners.....	10
Remove of Paint, Marking Pen, and Labels.....	10

#### Assembly

Barbell Rack Assembly.....	11
Dumbbell Rack Assembly.....	18
Kettlebell Rack Assembly.....	25

#### Warranty

What is Covered.....	30
Who is Covered.....	30
Who Pays Transportation and Insurance For Service.....	30
What We Will Do To Correct Covered Defects.....	30
What is Not Covered.....	30
Owners Manual.....	30
Exclusive Warranty.....	30
Changes in Warranty Not Authorized.....	30
Effects of State Laws.....	30
Our Pledge To You.....	30
Warranty Coverage.....	31
How to Obtain Product Service.....	31

Life Fitness® is a registered trademark of Brunswick Corporation.

Gym Wipes® is a registered trademark of the 2XL Corporation. PureGreen 24 is a trademark of Pure Green.

© Copyright 2018, Life Fitness, a division of Brunswick Corporation. All Rights Reserved.

Columbia Center III - 9525 West Bryn Mawr Ave., Rosemont, IL 60018 • 847-288-3300

[www.lifefitness.com](http://www.lifefitness.com) • 1008743-0001 AB • 2018

# 1. Safety

## Safety Information

It is the sole responsibility of the purchaser of LIFE FITNESS products to read the owner's manual and warning labels and instruct all individuals, whether they are the end user or supervising personnel, on proper usage of the equipment.

UNDERSTANDING EACH AND EVERY WARNING TO THE FULLEST IS IMPORTANT. IF ANY OF THESE WARNINGS ARE UNCLEAR, CONTACT LIFE FITNESS CUSTOMER SERVICE IMMEDIATELY AT 1-888-462-9239.

This equipment is categorized as class S per EN ISO 20957-1. As such this equipment is only intended for commercial, institutional and/or studio facilities. It is not intended for home use. Contact LIFE FITNESS with any questions regarding this classification.

It is recommended that all users of LIFE FITNESS exercise equipment be informed of the following information prior to use.

## Access Control

LIFE FITNESS recommends that all commercial fitness equipment be used in a supervised area. It is recommended that the equipment be located in an access controlled area. Control is the responsibility of the facility owner.

## Installation

PLACING EQUIPMENT - LIFE FITNESS recommends that all equipment be placed on a solid, level surface to stabilize it and eliminate rocking or tipping over.


## Proper Usage

- Do not use any equipment in any way other than designed or intended by the manufacturer. It is imperative that LIFE FITNESS equipment is used properly to avoid injury.
- Injuries may result if exercising improperly or excessively. It is recommended that all individuals consult a physician prior to commencing an exercise program. If at any time during exercise you feel faint, dizzy or experience pain, STOP EXERCISING and consult your physician.

## Inspection

- DO NOT use or permit use of any equipment that is damaged and/or has worn or broken parts. For all LIFE FITNESS equipment use only replacement parts supplied by LIFE FITNESS.
- MAINTAIN LABELS AND NAME PLATES - Do not remove labels for any reason. They contain important information. If unreadable or missing, contact LIFE FITNESS for a replacement.
- EQUIPMENT MAINTENANCE - Preventative maintenance is the key to smooth operating equipment as well as to keep your liability to a minimum. Equipment needs to be inspected at regular intervals.
- Ensure that any person(s) making adjustments or performing maintenance or repair of any kind is qualified to do so. LIFE FITNESS will provide service and maintenance training at our corporate facility upon request or in the field if proper arrangements are made.
- Before any use, examine all accessories approved for use with the LIFE FITNESS equipment for damage or wear.
- DO NOT ATTEMPT TO USE OR REPAIR ANY ACCESSORY APPROVED FOR USE WITH THE LIFE FITNESS EQUIPMENT WHICH APPEARS TO BE DAMAGED OR WORN.

## Operating Warnings

 **WARNING:** This product can expose you to chemicals including Methyl Isobutyl Ketone, which is known to the State of California to cause cancer and birth defects or other reproductive harm. For more information go to <http://www.P65Warnings.ca.gov>

- It is the purchaser's sole responsibility to properly instruct its end users and supervising personnel as to the proper operating procedures of all equipment.
- Keep children away from strength equipment. Parents or others supervising children must provide close supervision of children if the equipment is used in the presence of children.
- Do not allow users to wear loose fitting clothing or jewelry while using equipment. It is also recommended to have users secure long hair back and up to avoid contact with moving parts.

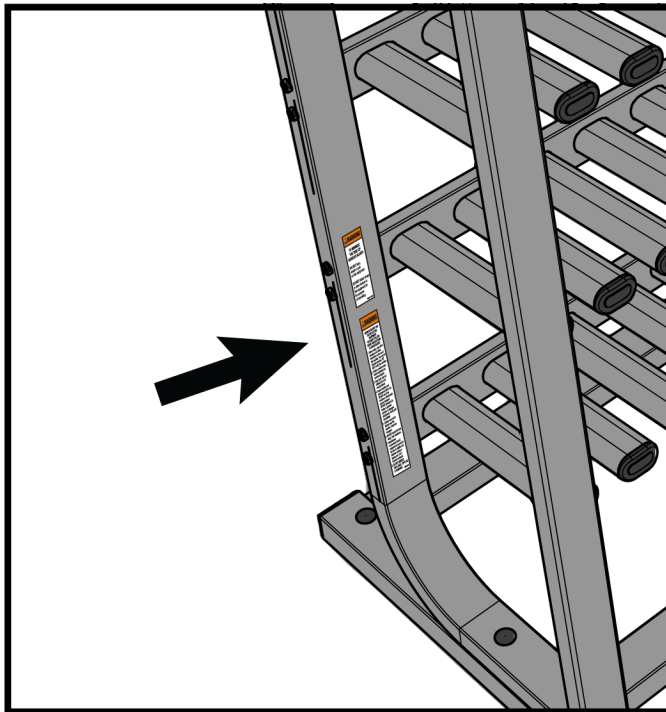
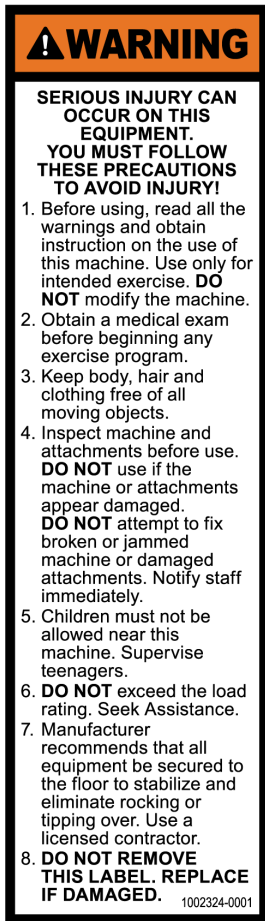
- All bystanders must stay clear of all users, moving parts and attached accessories and components while machine is in operation.

## Plate Loaded, Free Weight, and Body Weight Systems

- Place only Group Exercise style weight plates ( $\geq 1.125''$  bore) on the equipment's weight rods.
- Always utilize the provided weight plate retention devices such as clamps when adding weight plates to the barbell.
- Only add weight plates up to the load limits of the unit. Make sure all weight plates are completely placed on the weight rod.
- Never exceed the load rating for any storage rack; including specific weight rod limits. See machine specific section for load limit information.
- Contact a LIFE FITNESS representative with any questions regarding proper weights and loading.

## Warning Labels

Label location



## 2. Overview

### Barbell Rack

#### Product Specifications

Description	SAE	Metric
<b>Rack Weight:</b>	285 lbs.	129 kg
<b>Max Weight Allowed on Weight Rod:</b>	40 lbs.	20 kg
<b>Max Total Weight Allowed on Rack:</b>	900 lbs.	408 kg
<b>Max Total Weight Allowed on Barbell:</b>	80 lbs.	40 kg

#### Product Dimensions

69 x 28.2 x 64.3 in (175.3 x 71.6 x 163.3 cm)

### Dumbbell Rack

#### Product Specifications

Description	SAE	Metric
<b>Rack Weight:</b>	256 lbs.	120.2 kg
<b>Max Total Weight Allowed on Rack:</b>	1080 lbs.	432 kg

#### Product Dimensions

36 x 28.2 x 64.3 in (91.4 x 71.6 x 163.3 cm)

### Kettlebell Rack

#### Product Specifications

Description	SAE	Metric
<b>Rack Weight:</b>	325 lbs.	147 kg
<b>Max Weight Allowed on Rack:</b>	980 lbs.	444 kg
<b>Max Total Weight Allowed on Tray:</b>	245 lbs.	111 kg

#### Product Dimensions

64 x 28.2 x 64.3 in (162.6 x 71.6 x 163.3 cm)

# 3. Service and Technical Data

## Maintenance Schedule

### Barbell Rack

ACTION	DAILY	WEEKLY	MONTHLY
<b>CLEAN</b>			
Barbells			X
Weight Plates			X
Frame		X	
<b>INSPECT</b>			
Paint	X		
Hardware			X
Frame			X
Barbells		X	
Weight Plates		X	

### Dumbbell Rack

ACTION	DAILY	WEEKLY	MONTHLY
<b>CLEAN</b>			
Dumbbells			X
Frame		X	
<b>INSPECT</b>			
Paint	X		
Hardware			X
Frame			X
Dumbbells		X	

### Kettlebell Rack

ACTION	DAILY	WEEKLY	MONTHLY
<b>CLEAN</b>			
Kettlebells			X
Frame		X	
<b>INSPECT</b>			
Paint	X		
Hardware			X
Frame			X
Kettlebells		X	

## Clean

Wipe the following with an *approved and compatible cleaner* and a cotton cloth:

- Barbells
- Weight plates
- Dumbbells
- Frame
- Kettlebells

## Wax

Frames with a standard, non-abrasive, wax finish.

## Inspect

Examine the following for damage and wear:

- Dumbbells
- Frame
- Weight plates
- Kettlebells
- Barbells - Inspect for burrs or sharp edges.
- Hardware - Inspect for loosening. Tighten as required.
- Paint - Fill all paint chips with Life Fitness touch-up paint.

## Approved and Compatible Cleaners

Two preferred cleaners have been approved by reliability experts: PureGreen 24 and Gym Wipes. Both cleaners will safely and effectively remove dirt, grime and sweat from equipment. PureGreen 24 and the Antibacterial Force formula of Gym Wipes are both disinfectants that are effective against MRSA and H1N1.

PureGreen 24 is available in a spray which is convenient for gym staff to use. Apply the spray to a microfiber cloth and wipe down the equipment. Use PureGreen 24 on the equipment for at least 2 minutes for general disinfection purposes and at least 10 minutes for fungus and viral control.

Gym Wipes are large, durable pre-moistened wipes to use on the equipment before and after workouts. Use Gym Wipes on the equipment for at least 2 minutes for general disinfection purposes.

Contact Customer Support Services to order these cleaners (1-800-351-3737 or email: [customersupport@lifefitness.com](mailto:customersupport@lifefitness.com)).

Mild soap and water or a mild non-abrasive household cleaner can also be used to clean the display and all exterior surfaces. Use a soft microfiber cloth only. Apply the cleaner to the microfiber cloth before cleaning. DO NOT use ammonia or acid based cleaners. DO NOT use abrasive cleaners. DO NOT use paper towels. DO NOT apply cleaners directly to the equipment surfaces.

## Remove of Paint, Marking Pen, and Labels

Butyl cellosolve works well for removal of paints, marking pen inks, lipstick, etc.

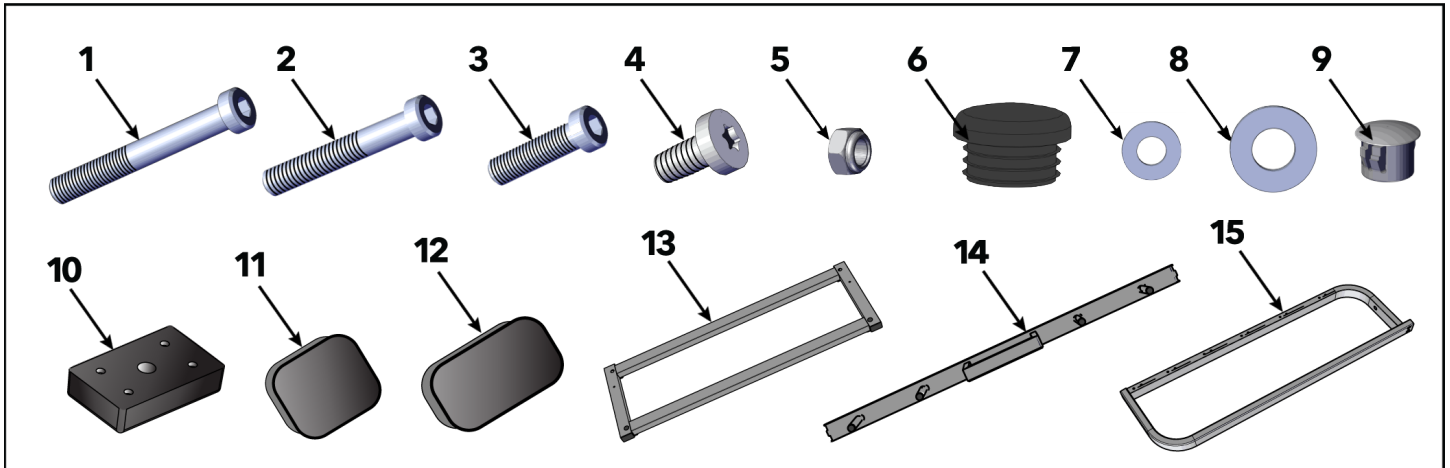
Labels, stickers, etc. may be removed using kerosene. When the solvent will not penetrate sticker material, apply heat (hair dryer) to soften the adhesive and promote removal. GASOLINE SHOULD NOT BE USED.

# 4. Assembly

## Barbell Rack Assembly

### Hardware and Required Tools

#### Hardware



#### Hardware

Item	Description	Qty
1	M10 x 1.5 screw, 100mm	24
2	M10 x 1.5 screw, 70mm	2
3	M10 x 1.5 screw, 20mm	4
4	Torx screw	16
5	Nut	2
6	Endcap - Grey	8
	Endcap - Yellow	8
	Endcap - Green	8
	Endcap - Blue	8
7	SAE #10 washer	16
8	3/8 in. washer	32
9	Plug	8
10	Foot pad	4
11	Base cap	2
12	Upright cap	4
13	Rack Base	1
14	Row	6
15	Rack Upright	2

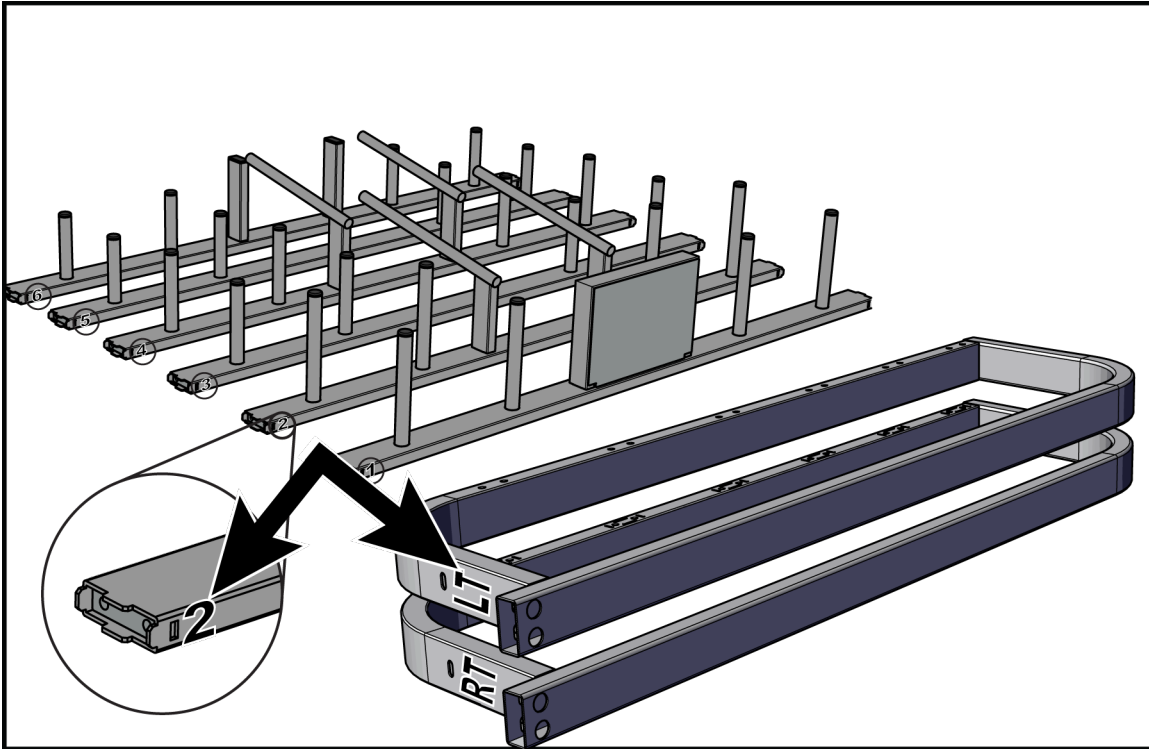
#### Required Tools:

- 7mm Hex Head Wrench
- T-25 Torx Driver

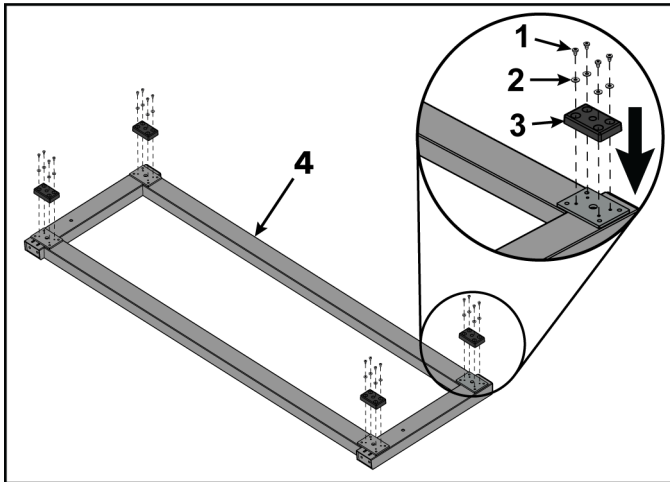
- 17mm Open End Wrench
- 17mm Socket Wrench
- Rubber mallet

### Barbell Rack Assembly Procedure

Locate the part ID on the components before assembling.



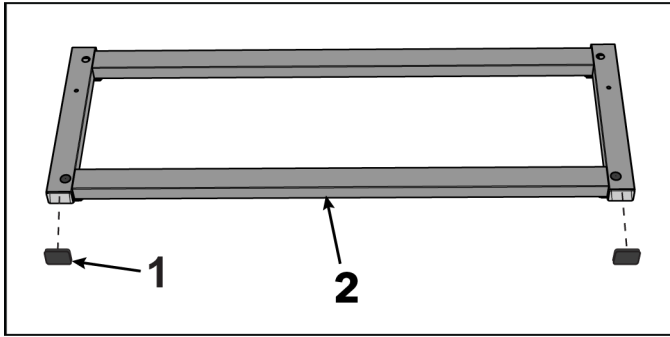
1. Attach the foot pads to the rack base.



Item	Description	Qty
1	Torx screw	16
2	SAE #10 washer	16
3	Foot pad	4
4	Base	1

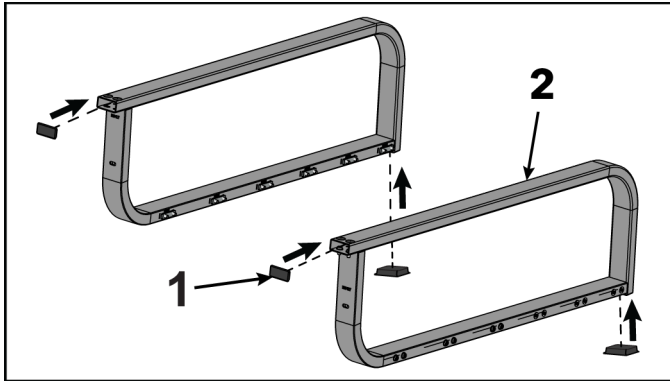


2. Install the base caps into the base.



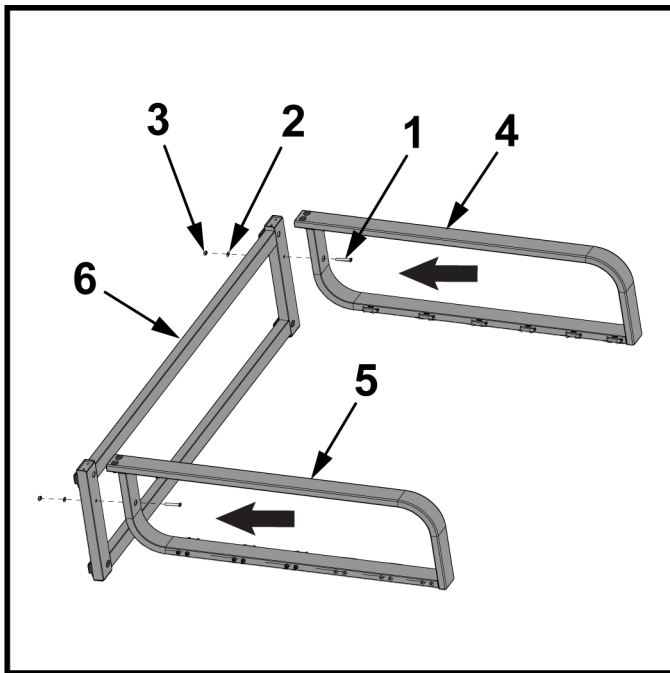
Item	Description	Qty
1	Base cap	2
2	Base	1

3. Install the upright caps into the uprights.



Item	Description	Qty
1	Upright cap	4
2	Uprights	2

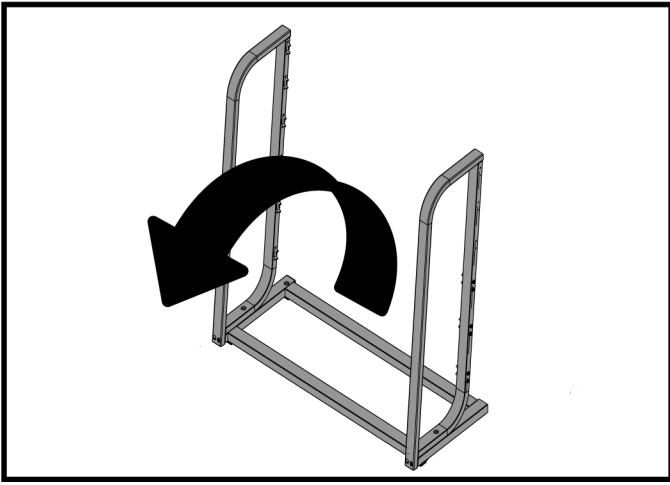
4. Attach the rack uprights to the rack base.



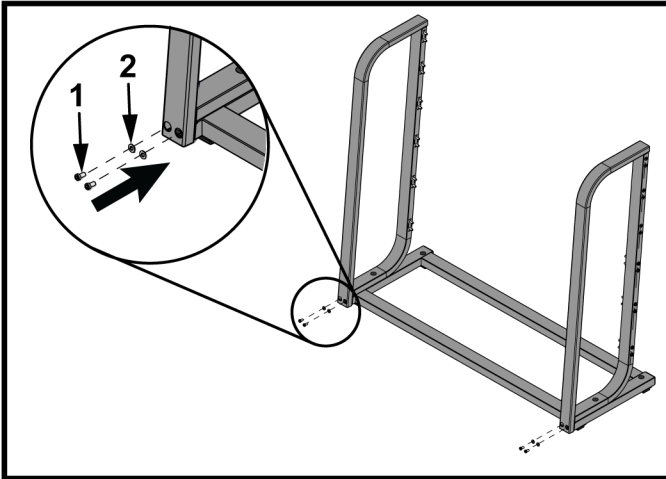
Item	Description	Qty
1	M10 x 1.5 screw, 70mm	2
2	3/8 in. washer	2
3	Nut	2
4	Rack upright (LT)	1
5	Rack upright (RT)	1
6	Rack base	1



5. Lift the assembly, and place into position.



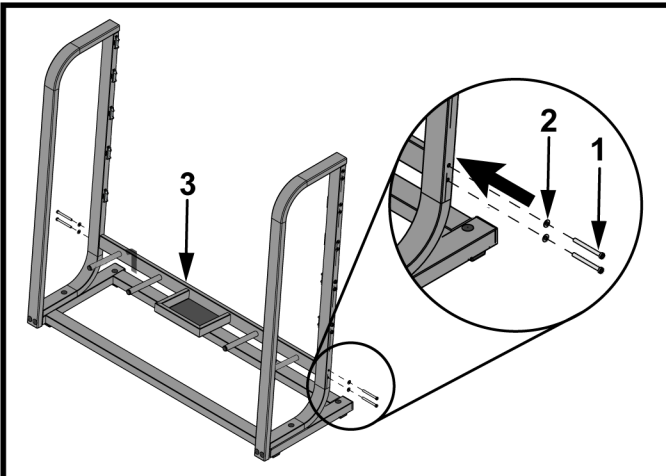
6. Attach the rack uprights to the rack base.



Item	Description	Quantity
1	M10 x 1.5 screw, 20mm	4
2	3/8 in. washer	4



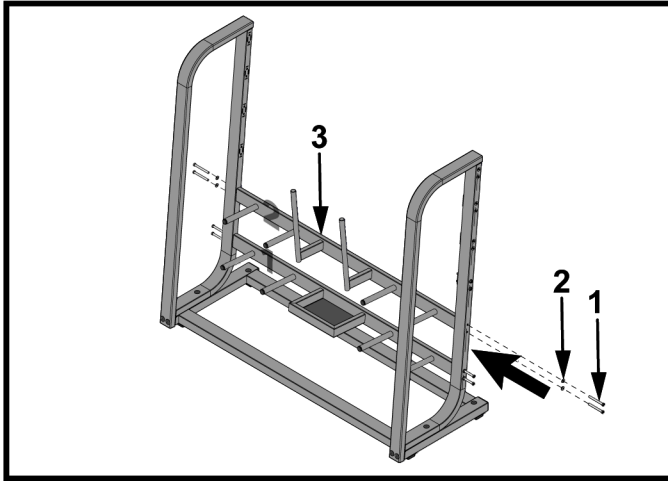
7. Attach row 1 to the rack uprights.



Item	Description	Qty
1	M10 x 1.5 screw, 100mm	4
2	3/8 in. washer	4
3	Row 1	1



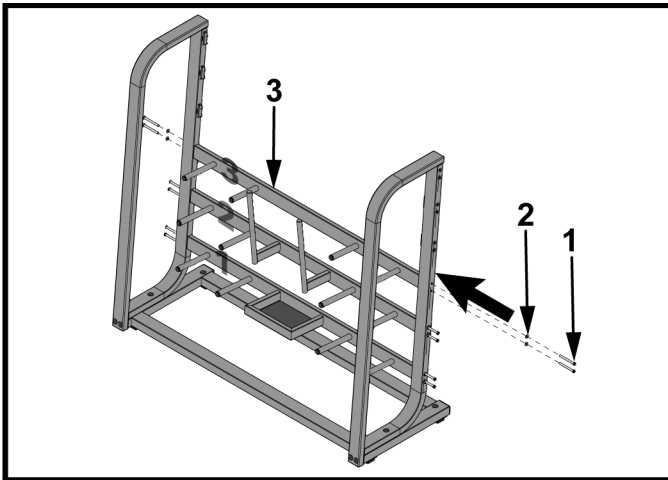
8. Attach row 2 to the rack uprights.



Item	Description	Qty
1	M10 x 1.5 screw, 100mm	4
2	3/8 in. washer	4
3	Row 2	1



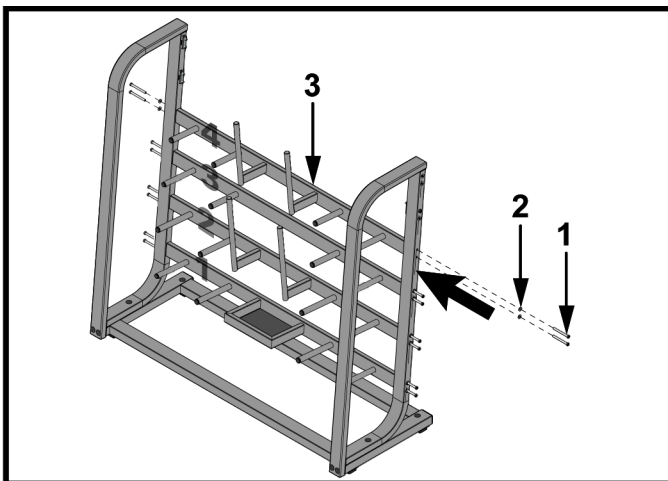
9. Attach row 3 to the rack uprights.



Item	Description	Qty
1	M10 x 1.5 screw, 100mm	4
2	3/8 in. washer	4
3	Row 3	1



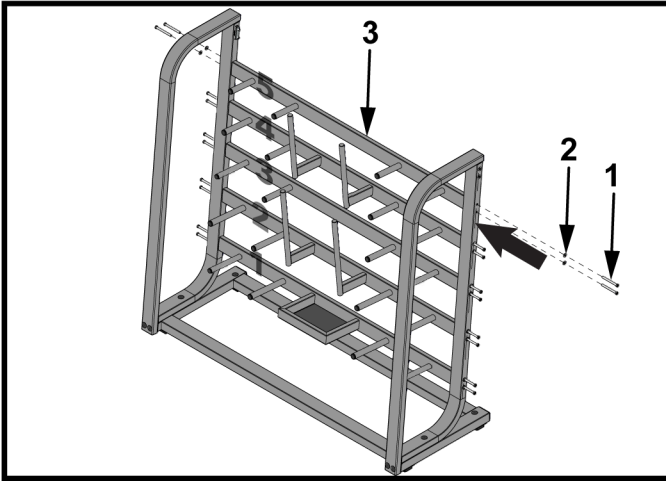
10. Attach row 4 to the rack uprights.



Item	Description	Qty
1	M10 x 1.5 screw, 100mm	4
2	3/8 in. washer	4
3	Row 4	1



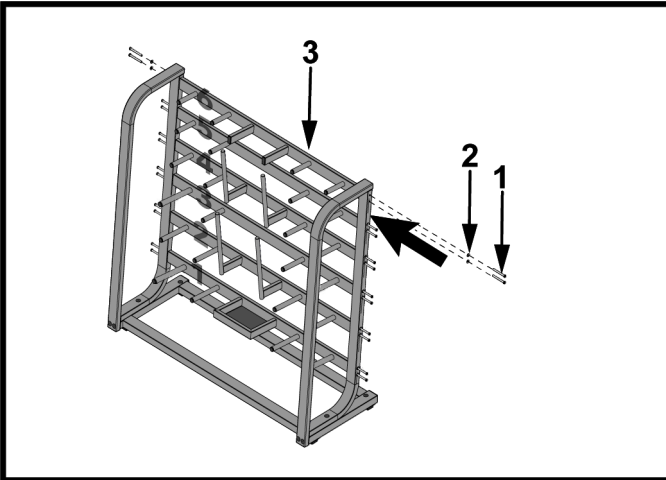
11. Attach row 5 to the rack uprights.



Item	Description	Qty
1	M10 x 1.5 screw, 100mm	4
2	3/8 in. washer	4
3	Row 5	1



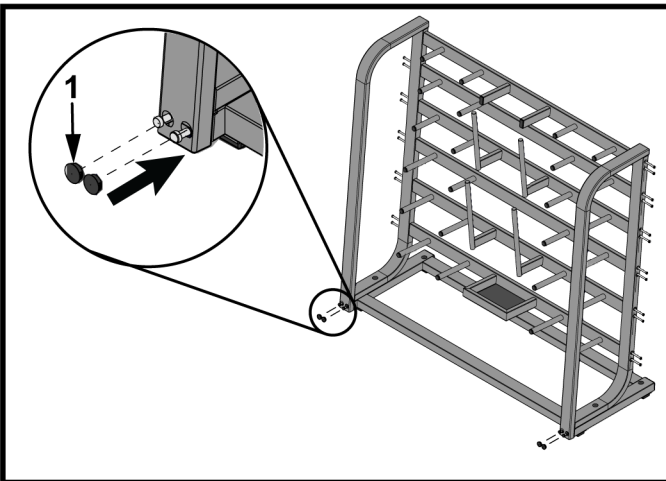
12. Attach row 6 to the rack uprights.



Item	Description	Qty
1	M10 x 1.5 screw, 100mm	4
2	3/8 in. washer	4
3	Row 6	1



13. Tighten the screws, and install the plugs.

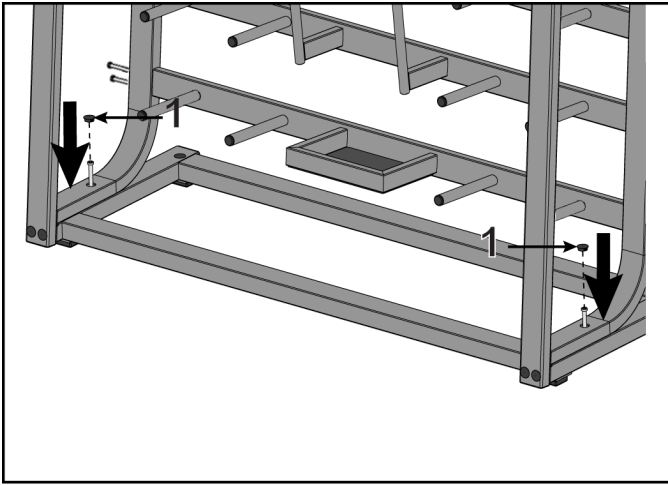


Item	Description	Qty
1	Plug	4



15-20 ft. lbs. (20-27 Nm)

14. Tighten the screws, and install the plugs.

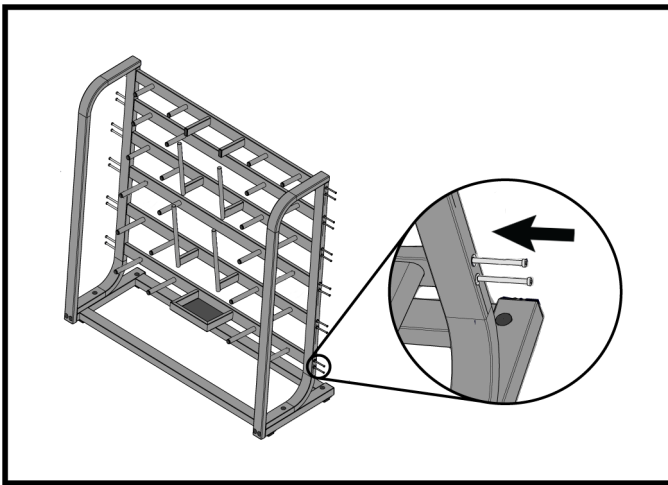


Item	Description	Qty
1	Plug	2



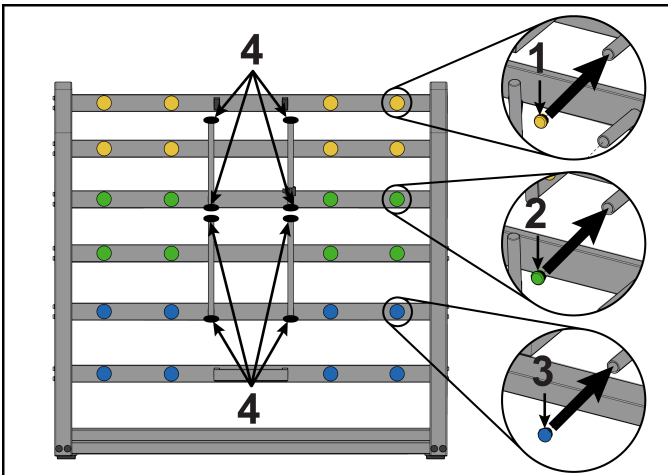
15-20 ft. lbs. (20-27 Nm)

15. Tighten the screws.



10-12 ft. lbs. (13-16 Nm)

16. Install the endcaps.

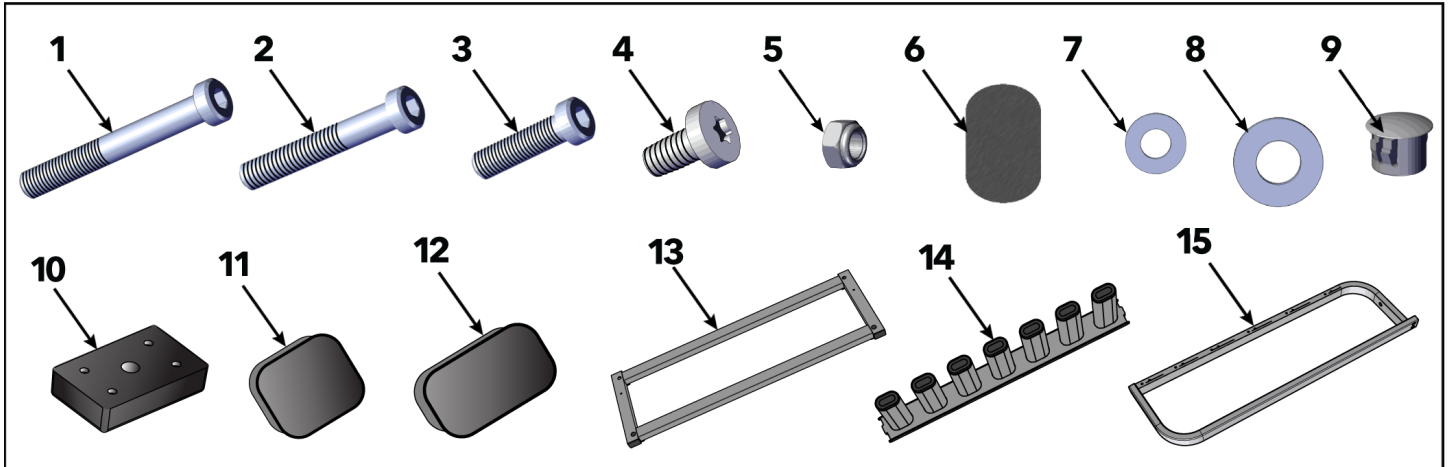


Item	Description	Qty
1	Yellow endcap	8
2	Green endcap	8
3	Blue endcap	8
4	Grey endcap	8

# Dumbbell Rack Assembly

## Hardware and Required Tools

### Hardware



### Hardware

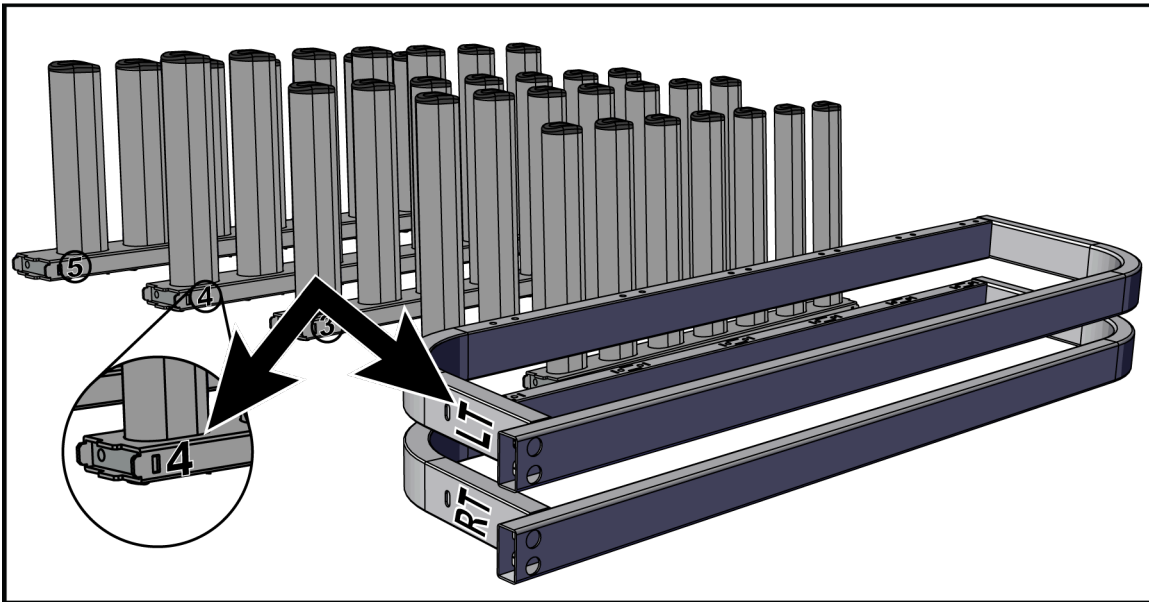
Item	Description	Qty
1	M10 x 1.5 screw, 100mm	20
2	M10 x 1.5 screw, 70mm	2
3	M10 x 1.5 screw, 20mm	4
4	Torx screw	16
5	Nut	2
6	Adhesive label - Yellow	7
	Adhesive label- Green	7
	Adhesive label - Orange	7
	Adhesive label - Red	7
	Adhesive label - Blue	7
	Adhesive label - Purple	7
7	SAE #10 washer	16
8	3/8 in. washer	28
9	Plug	8
10	Foot pad	4
11	Base cap	2
12	Upright cap	4
13	Rack Base	1
14	Row	5
15	Rack Upright	2

### Required Tools:

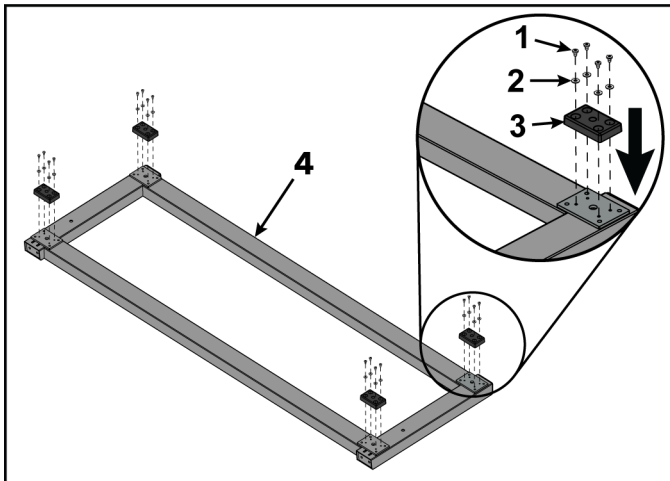
- 7mm Hex Head Wrench
- T-25 Torx Driver
- 17mm Open End Wrench
- 17mm Socket Wrench
- Rubber mallet

**Dumbbell Rack Assembly Procedure**

Locate the part ID on the components before assembling.



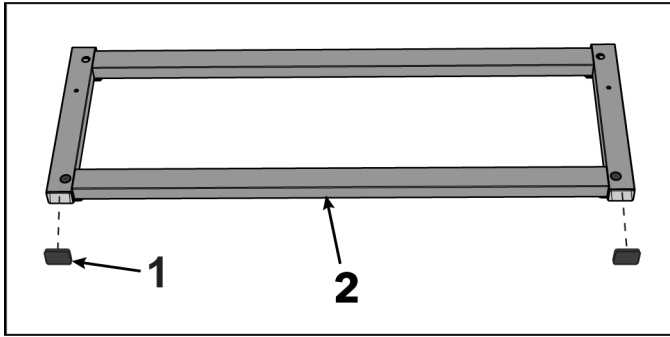
1. Attach the foot pads to the rack base.



Item	Description	Qty
1	Torx screw	16
2	SAE #10 washer	16
3	Foot pad	4
4	Rack base	1

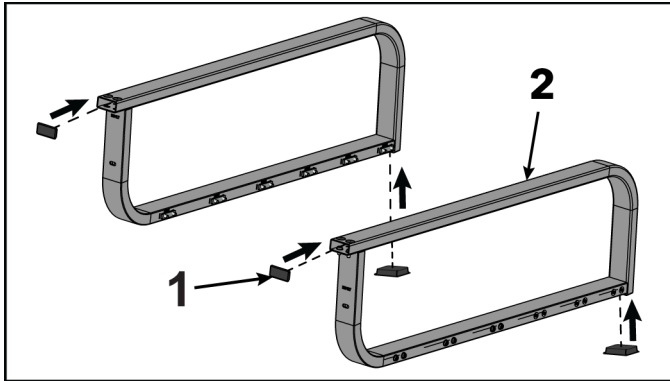


2. Install the base caps into the base.



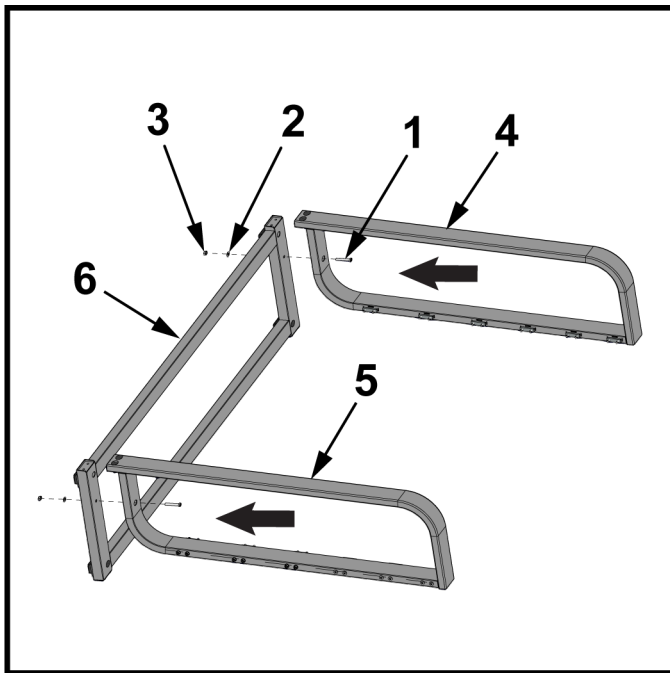
Item	Description	Qty
1	Base cap	2
2	Rack base	1

3. Install the caps.



Item	Description	Qty
1	Cap	4
2	Rack upright	2

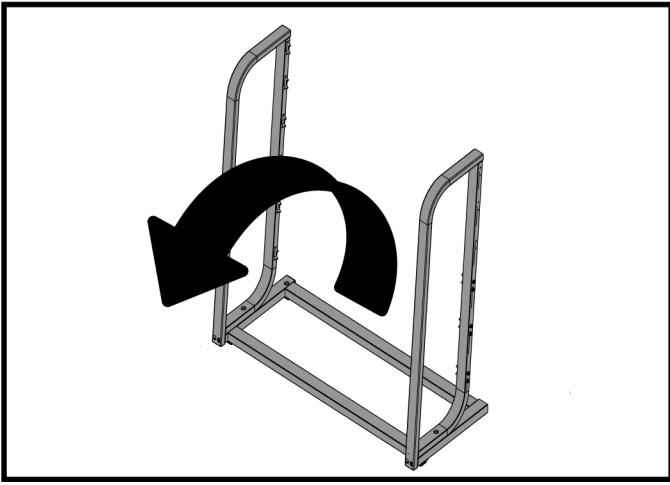
4. Attach the rack uprights to the rack base.



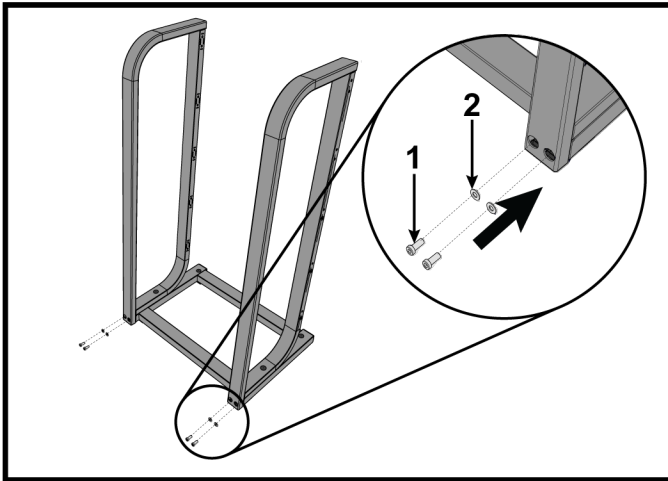
Item	Description	Qty
1	M10 x 1.5 screw, 70mm	2
2	3/8 in. washer	2
3	Nut	2
4	Rack upright (LT)	1
5	Rack upright (RT)	1
6	Rack base	1



5. Lift the assembly, and place into position.



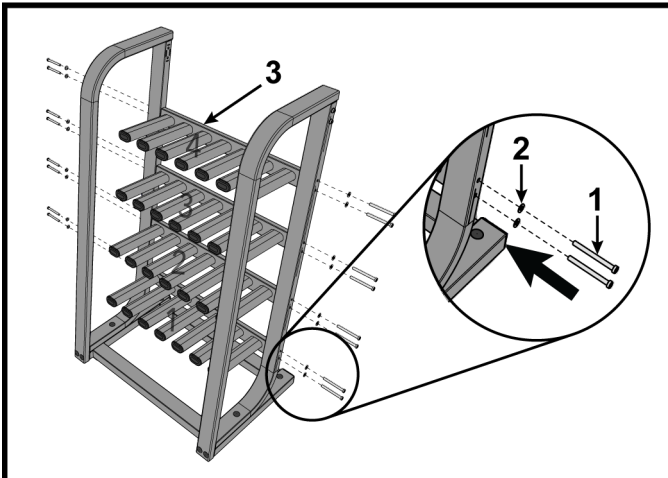
6. Attach the rack uprights to the rack base.



Item	Description	Qty
1	M10 x 1.5 screw, 20mm	4
2	3/8 in. washer	4



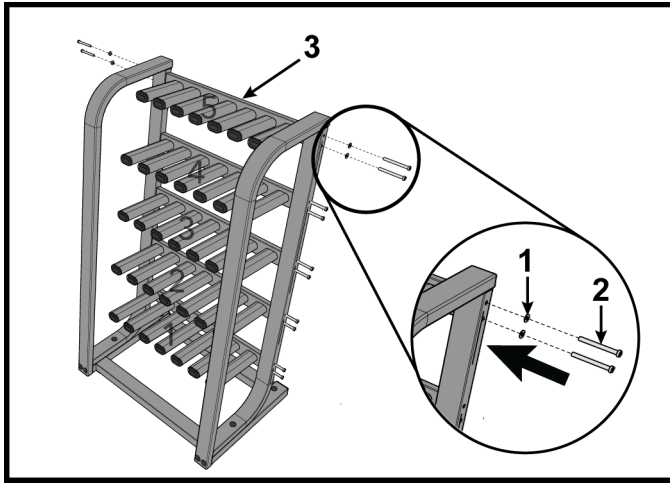
7. Attach row 1-4 to the rack uprights.



Item	Description	Qty
1	M10 x 1.5 screw, 100mm	16
2	3/8 in. washer	16
3	Row 1-4	4



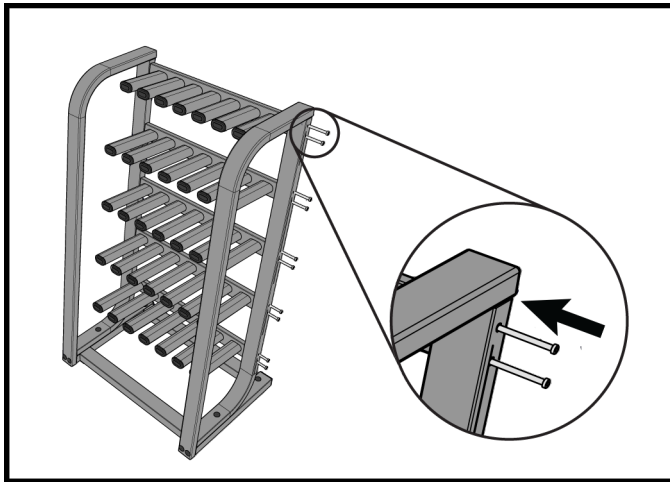
8. Attach row 5 to the rack uprights.



Item	Description	Qty
1	M10 x 1.5 screw, 100mm	4
2	3/8 in. washer	4
3	Row 5	1

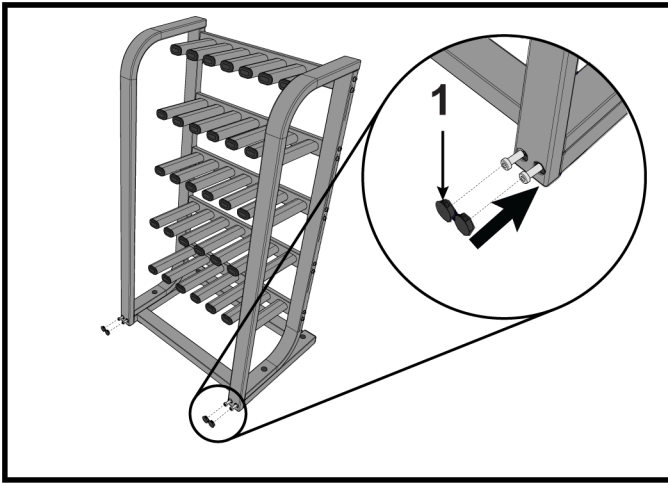


9. Tighten the screws.



10-12 ft. lbs. (13-16 Nm)

10. Tighten the screws, and install the plugs.

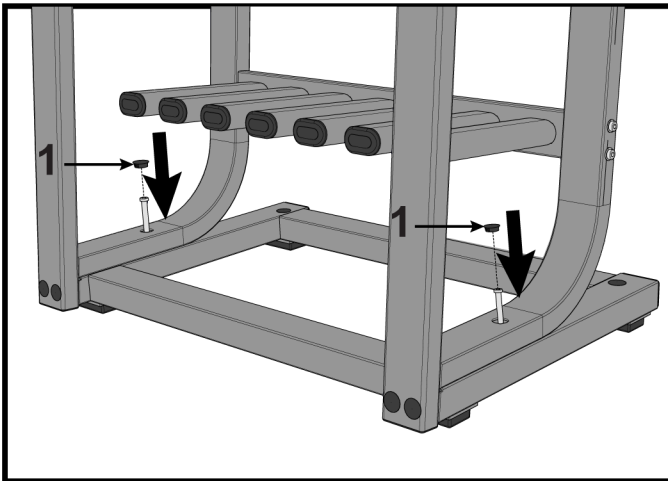


Item	Description	Qty
1	Plug	4



15-20 ft. lbs. (20-27 Nm)

11. Tighten the screws, and install the plugs.

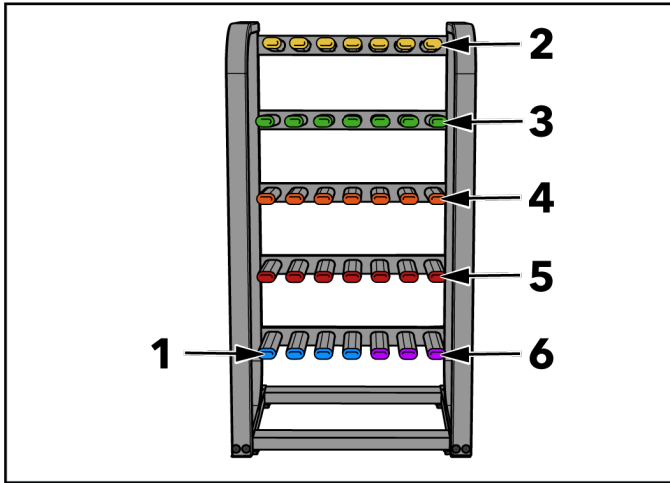


Item	Description	Qty
1	Plug	2



15-20 ft. lbs. (20-27 Nm)

12. Install the adhesive labels.

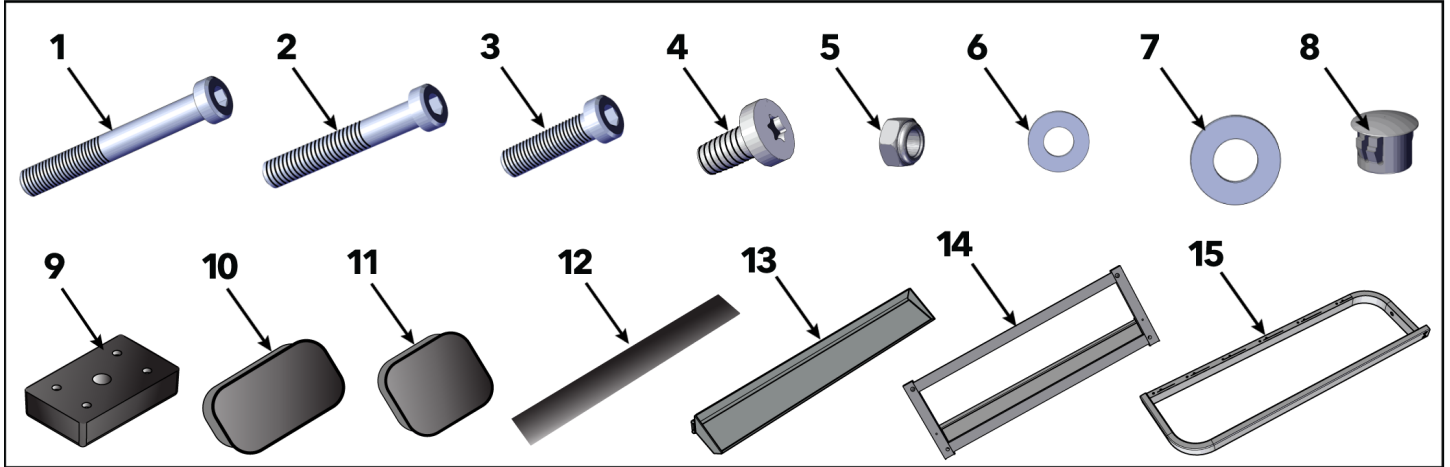


Item	Description	Qty
1	Blue adhesive label	4
2	Yellow adhesive label	7
3	Green adhesive label	7
4	Orange adhesive label	7
5	Red adhesive label	7
6	Purple adhesive label	3

# Kettlebell Rack Assembly

## Hardware and Required Tools

### Hardware



### Hardware

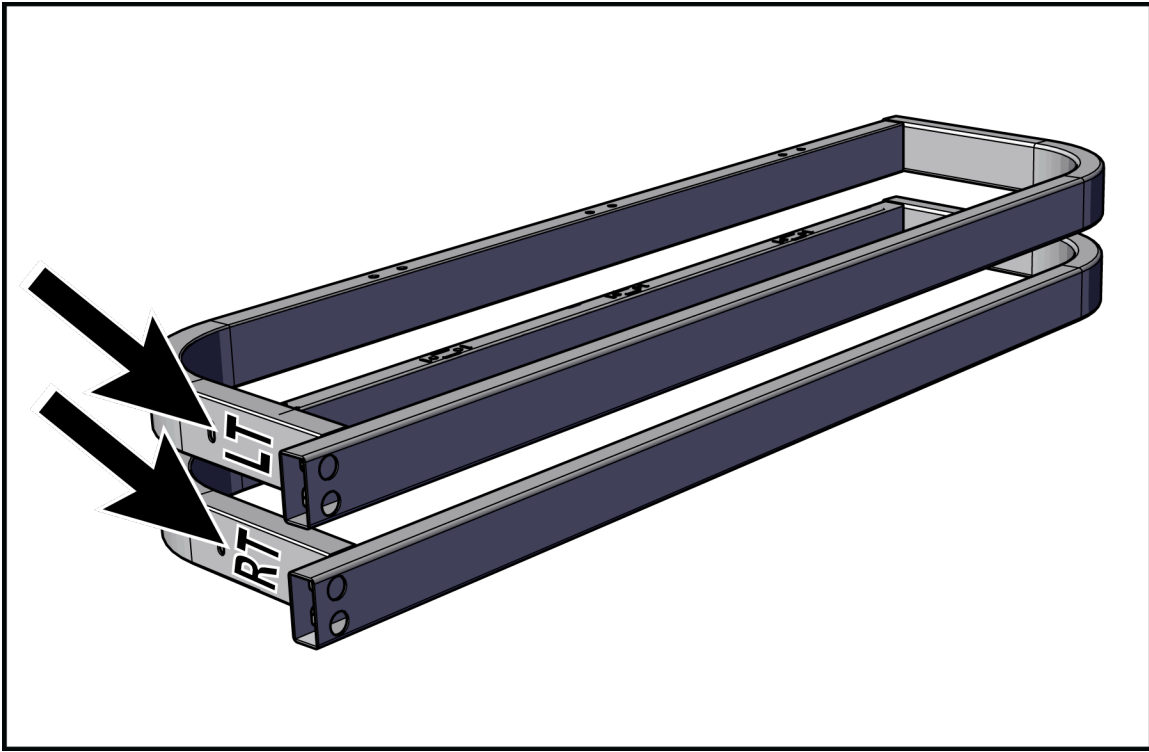
Item	Description	Qty
1	M10 x 1.5 screw, 100mm	12
2	M10 x 1.5 screw, 70mm	2
3	M10 x 1.5 screw, 20mm	4
4	Torx screw	16
5	Nut	2
6	SAE #10 washer	16
7	3/8 in. washer	20
8	Plug	8
9	Foot pad	4
10	Upright cap	4
11	Base cap	2
12	Tray liner	4
13	Tray	3
14	Rack Base	1
15	Rack Upright	2

### Required Tools:

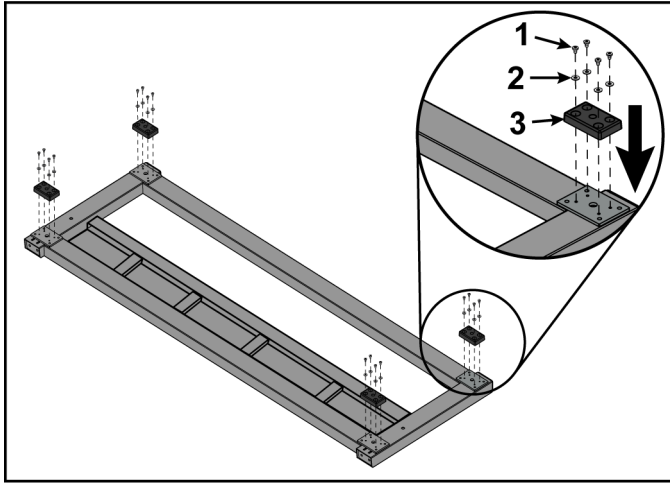
- 7mm Hex Head Wrench
- T-25 Torx Driver
- 17mm Open End Wrench
- 17mm Socket Wrench
- Rubber mallet

## Kettlebell Rack Assembly Procedure

Locate the part ID on the components before assembling.



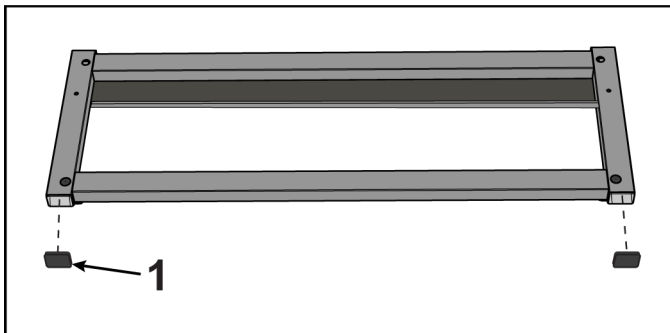
1. Attach the foot pads to the rack base.



Item	Description	Qty
1	Torx screw	16
2	Washer, SAE #10	16
3	Foot pad	4

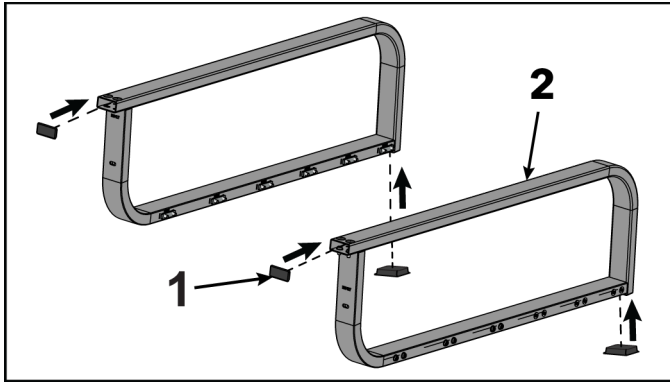


2. Install the base caps into the base.



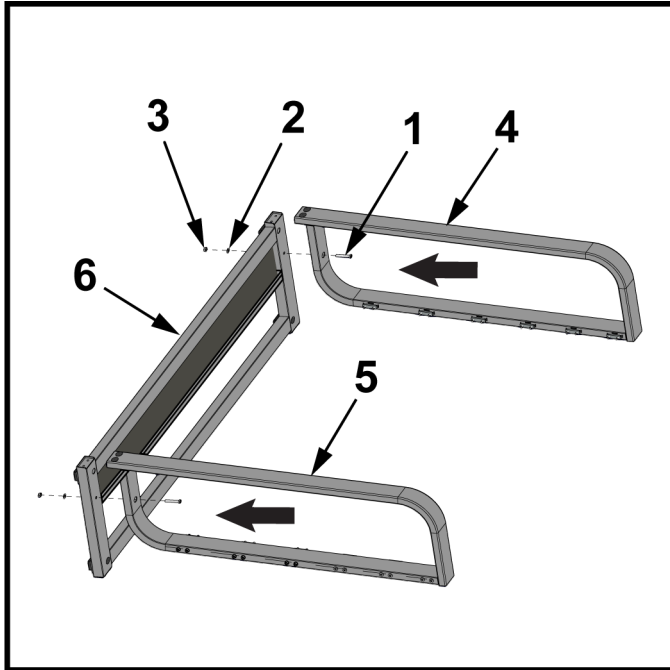
Item	Description	Qty
1	Base cap	2

3. Install the caps.



Item	Description	Qty
1	Cap	4
2	Upright	2

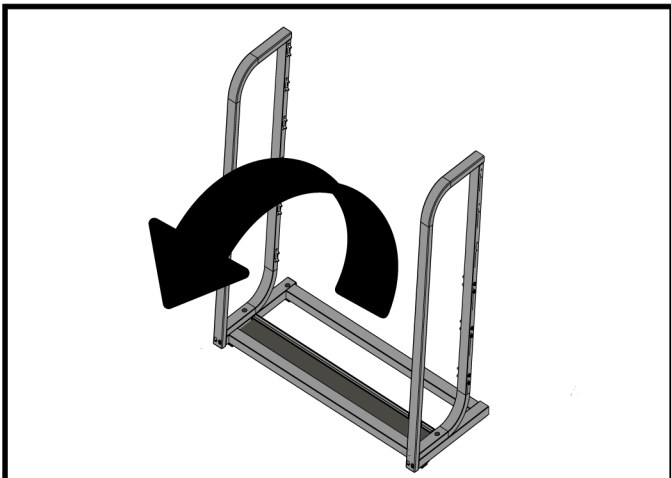
4. Attach the rack uprights to the rack base.



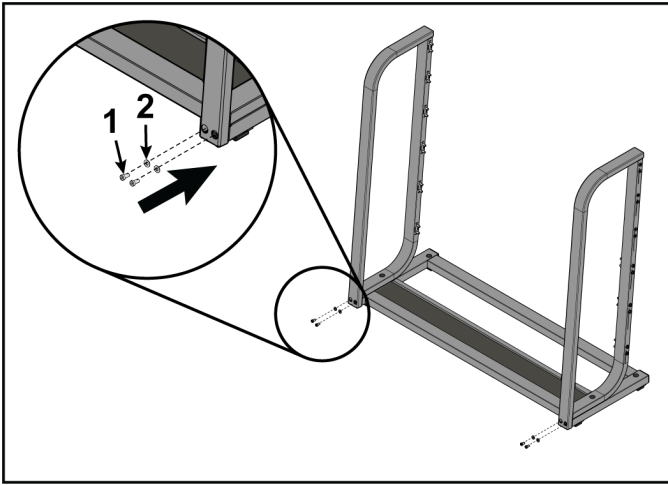
Item	Description	Qty
1	M10 x 1.5 screw, 70mm	2
2	3/8 in. washer	4
3	Nut	2
4	Rack upright (LT)	1
5	Rack upright (RT)	1
6	Rack base	1



5. Lift the assembly, and place into position.



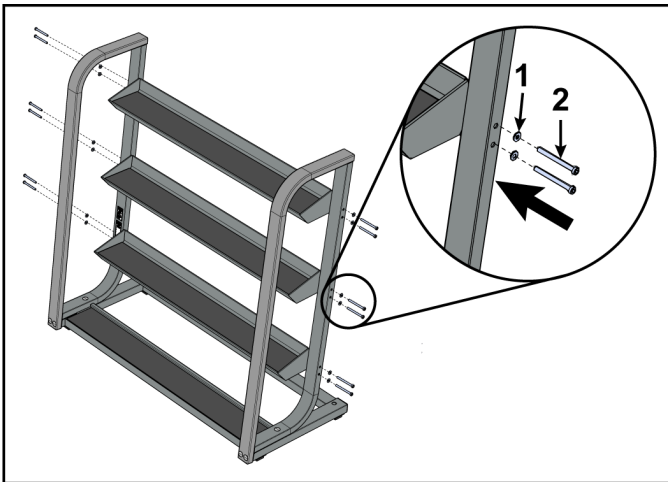
6. Attach the rack uprights to the rack base.



Item	Description	Qty
1	M10 x 1.5 screw, 20mm	4
2	3/8 in. washer	4



7. Attach tray 1-3 to the rack uprights, and tighten the screws.

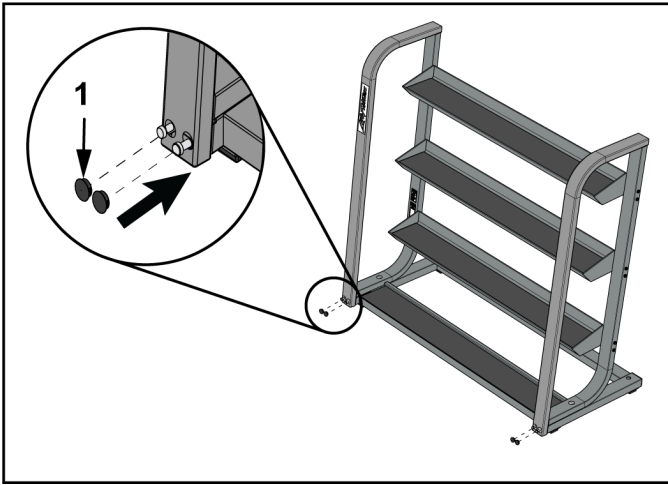


Item	Description	Qty
1	3/8 in. washer	12
2	M10 x 1.5 screw, 100mm	12



10-12 ft. lbs. (13-16 Nm)

8. Tighten the screws, and install the plugs.

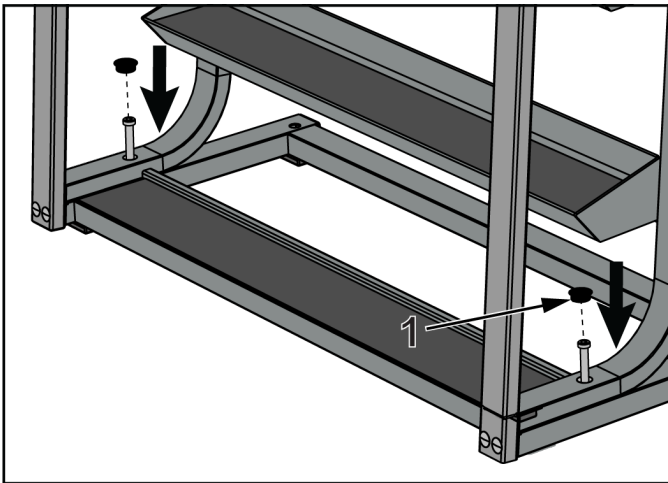


Item	Description	Qty
1	Plug	4



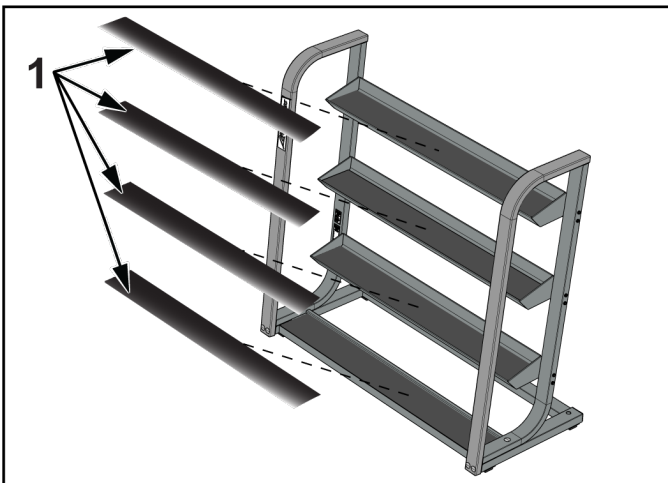
15-20 ft. lbs. (20-27 Nm)

9. Tighten the screws, and install the plugs.



Item	Description	Qty
1	Plug	2

10. Install the tray liners.



Item	Description	Qty
1	Tray liner	4

# 5. Warranty

## What is Covered

This LIFE FITNESS commercial exercise equipment product is warranted to be free of all defects in material and workmanship.

## Who is Covered

The original purchaser or any person receiving the product as a gift from the original purchaser.

## Who Pays Transportation and Insurance For Service

If the Product or any covered part must be returned to a service facility for repairs, We, Life Fitness, will pay all transportation and insurance charges for the first year. You are responsible for transportation and insurance charge after the first year.

## What We Will Do To Correct Covered Defects

We will ship to you any new or rebuilt replacement part or component, or at our option, replace the Product. Such replacement parts are warranted for the remaining portion of the original warranty period.

## What is Not Covered

Any failures or damage caused by unauthorized service, misuse, accident, negligence, improper assembly or installation, debris resulting from any construction activities in the Product's environment, rust or corrosion as a result of the Product's location, alterations or modifications without our written authorization, or by failure on your part to use, operate and maintain the Product as set out in your Operation Manual.

*All terms of this warranty are void if this product is moved beyond the continental borders of the United States of America (excluding Alaska, Hawaii and Canada) and are then subject to the terms provided by that country's local authorized Life Fitness representative.*

## Owners Manual

It is VERY IMPORTANT THAT YOU READ THIS MANUAL before operating the Product. Remember to perform the periodic maintenance requirements specified in the Manual to assure proper operation and your continued satisfaction.

## Exclusive Warranty

THIS LIMITED WARRANTY IS IN LIEU OF ALL OTHER WARRANTIES OF ANY KIND EITHER EXPRESSED OR IMPLIED, INCLUDING BUT NOT LIMITED TO THE IMPLIED WARRANTIES OF MERCHANTABILITY AND FITNESS FOR A PARTICULAR PURPOSE, AND ALL OTHER OBLIGATIONS OR LIABILITIES ON OUR PART. We neither assume nor authorize any person to assure for us any other obligation or liability concerning the sale of this Product. Under no circumstances shall we be liable under this warranty, or otherwise, of any damage to any person or property, including any lost profits or lost savings, for any special, indirect, secondary, incidental or consequential damages of any nature arising out of the use of or inability to use this Product. Some states do not allow the exclusion or limitation of implied warranties or of liability for incidental or consequential damages, so the above limitations or exclusions may not apply to you. Warranty coverages and terms may differ outside the United States. Please contact the Life Fitness office servicing your country (contact information found at the front of this manual) or visit the applicable local Life Fitness website to receive the specific warranty information for your country.

## Changes in Warranty Not Authorized

No one is authorized to change, modify or extend the terms of this limited warranty.

## Effects of State Laws

This warranty gives you specific legal rights, and you may have other rights which vary from state to state and country by country.

## Our Pledge To You

Our Products are designed and manufactured to the highest standards. We want you to be completely satisfied with our Products and will do everything possible under the terms of this warranty to keep you secure in knowing you have bought the best!

## Warranty Coverage

 **NOTE:** There is no warranty coverage for labor on Strength Products.

Item	5 Years	3 Years	1 Year	90 Days
Frame	X			
Weight Plates/Dumbbells		X		
Barbells			X	
Kettlebells			X	
Hardware / Mechanical				X
Barbell collars				X
Items Not Specified				X

## How to Obtain Product Service

For CUSTOMER Service within the United States and Canada: 1-800-351-3737 or [customersupport@lifefitness.com](mailto:customersupport@lifefitness.com)  
Please call Monday through Friday from 7:00 a.m. to 6:00 p.m. Central Standard Time, and tell them your name, address, and serial number of your Product. They will tell you how to get a replacement part, or if necessary, arrange for service where your Product is located or advise you on how and where to ship the Product for service. Before shipping:

- 1. Obtain** a Return Authorization Number (**RA#**) from Customer Support Services
- 2. Securely pack** your Product (use the original shipping carton, if possible)
- 3. Write** the RA# on the outside of the carton
- 4. Insure** the Product
- 5. Include** a letter explaining the defect or problem and a copy of your proof of purchase if you believe the service is covered by warranty.

### Return address:

Life Fitness World Headquarters

Attn: CSS Help Desk

Columbia Centre III - 9525 West Bryn Mawr Avenue

Rosemont, IL 60018

For Product Service Internationally see contact information listed on page two of this manual.