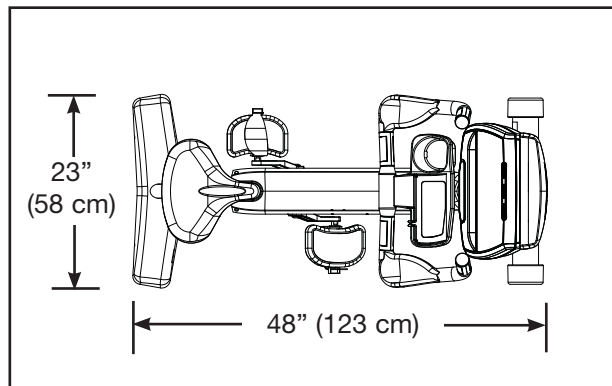


Appendix A - Technical Specifications

Length:	750C Cycle, 48" (123 cm).	750R Cycle, 65" (165 cm).
Width:	750C Cycle, 23" (58 cm).	750R Cycle, 24" (62 cm).
Height:	750C Cycle, 60" (154 cm).	750R Cycle, 49" (125 cm).
Weight of Product:	750C Cycle, 143 lbs. (65 kg).	750R Cycle, 166 lbs. (75 kg).
Shipping Weight:	750C Cycle, 173 lbs. (78 kg).	750R Cycle, 196 lbs. (89 kg).
Resistance Levels:	21 (User selected in Manual or Bike Mode).	
Programs:	Quick Start, Manual, three Fitness (Constant Power) programs, three Bike (Bike Mode) programs, three Speed Controlled (Isokinetic) programs, Heart Rate Control and Fitness Test. Download custom programs using PDA or CSAFE ports.	
Console Features:	Upper console: Dot Matrix of program, large 1" LED display of distance, calories, calories per hour, METS, Watts, rotations per minute and heart rate. Lower Console: LED display of time, speed and level.	
Heart Rate Features:	Built-in wireless heart rate receiver (transmitter not included) and contact heart rate monitoring.	
Frame Colors:	Standard: White texture, black texture, black vein, black chrome, platinum sparkle. Custom: Unlimited colors available.	
Resistance Range:	Minimum - 15 Watts; Maximum - 900 Watts.	
Maximum User Weight:	400 lbs. (181 kg).	
Power:	Self-powered or optional AC adapter for full time display.	
Connectivity:	CSAFE, Cybex Programming Advantage with "One Shot" custom programming	
Power Supply:	100-240 V, 50/60 Hz, 1.0 A, AC (9V DC, 1.7A). NEMA 5-15 plug (TR-18231) or IEC-320 inlet (TR-18230).	
Other:	Water bottle holder and utility tray.	
Options:	Channel and Volume controls on lower switch membrane for embedded A/V receiver. A/V bracket and power inlet for A/V option.	

750C Cycle



750R Cycle

