

mye[™]
ENTERTAINMENT

MWC2-9

MWC2-9 900MHz Receiver
with FM Radio Option

Operation Manual



CONTENTS

FCC Compliance Statement.....	3
Canada Compliance Statement.....	3
Specifications.....	3
Receiver Orientation (Front / Rear).....	4
Keypad – Key Identification.....	5
Main Features.....	5
Display and Icon Identification.....	6
Programming - Near / Far Reception Setting.....	6
Programming the Receiver (Auto Programming).....	7
Programming the Receiver (Manual)	7
FM Radio, FM Radio Disable.....	8
Attaching the Receiver.....	9
Intellijack.....	11
Warranty Information.....	12

FCC Compliance Statement

NOTE: This equipment has been tested and found to comply with the limits for a class B digital device pursuant to part 15 of the FCC rules.

These limits are designed to provide reasonable protection against harmful interference when the equipment is operated in a residential environment. This equipment generates, uses and can radiate radio frequency energy and if not installed and used in accordance with the instruction manual may cause harmful interference to radio communications. However, there is no guarantee that interference will not occur in a particular installation. If this equipment does cause harmful interference to radio or television reception, which can be determined by turning the unit off and on, the user is encouraged to try to correct the interference by one or more of the following measures:

- Reorient or relocate the receiver.
- Increase the separation between the equipment and the receiver.
- Connect the equipment to an outlet different from that which the receiver is connected.
- Consult your MYE dealer or experienced Radio / TV technician

Canada Compliance Statement

INDUSTRY CANADA COMPLIANCE STATEMENT

- (1) This device may not cause harmful interference, and
- (2) This device must accept any interference received, including interference that may cause undesired operation.

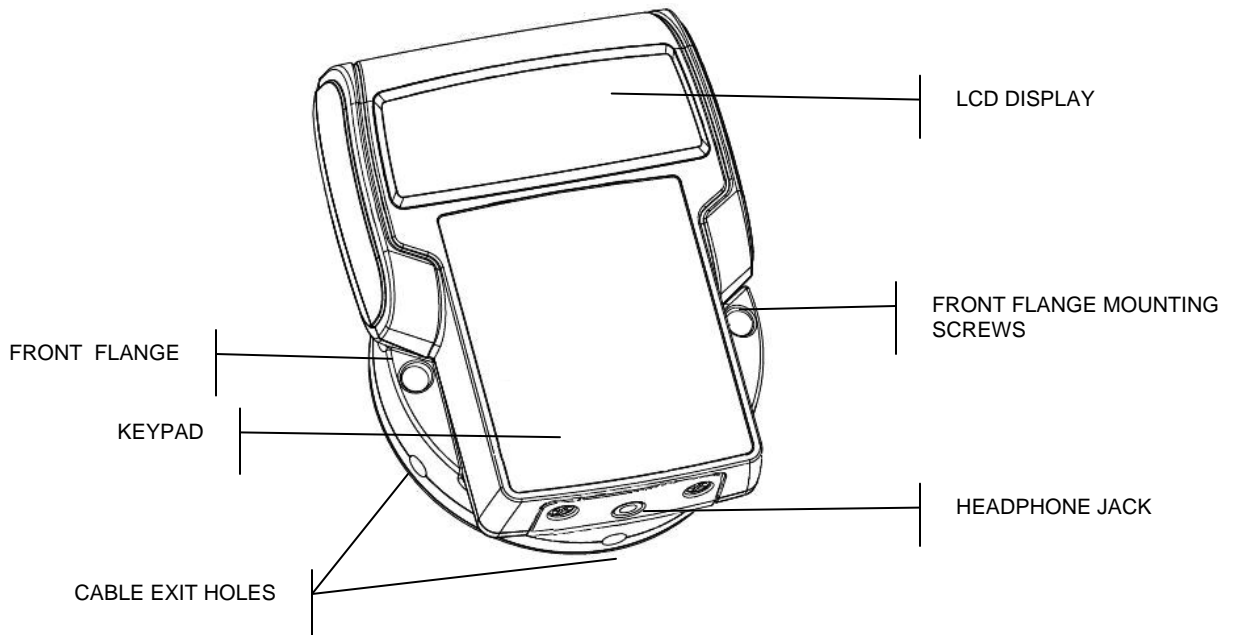
Product Description

The MYE MWC2-9 Receiver allows the user to listen to a TV or other audio source connected to a compatible 900MHz transmitter. It can also be used as an FM radio receiver. The MWC2-9 is powered by using a MYE Entertainment CSAFE cable plugged directly into any standard cardio CSAFE port or MYE 9 Volt AC Adapter.

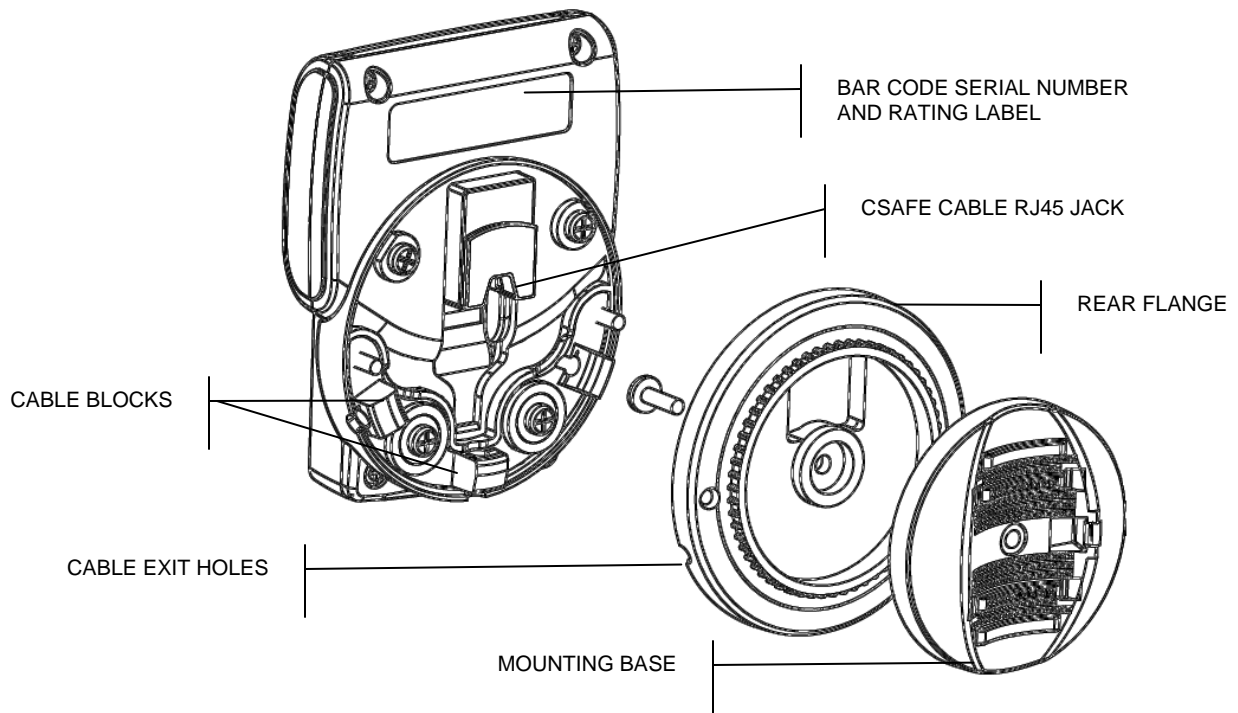
SPECIFICATIONS

900 MHz Frequency Range	903.000 TO 926.0000 MHz
FM Frequency Range (US)	87.5 to 107.9 MHz (US)
Input Sensitivity (20 dB SINAD)	-85 dBm typical
Modulation	FM Stereo deviation +/- 75KHz
Stereo Separation	>25dB
Equalization	BASS, FLAT, JAZZ, ROCK, CLASSICAL
Audio Frequency Response	20 Hz to 13 kHz
Frequency Entry	Scroll up/down.
Power	4.6 VDC TO +12VDC

RECEIVER ASSEMBLY - FRONT VIEW

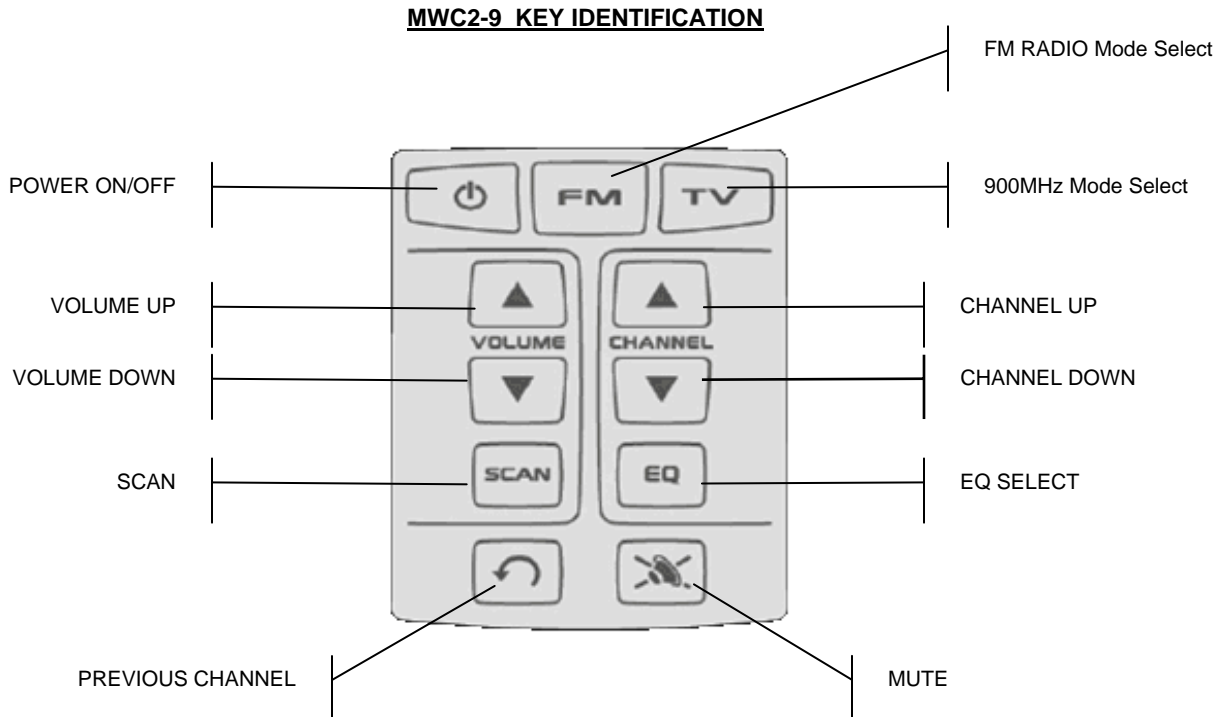


RECEIVER ASSEMBLY & MOUNTING - REAR VIEW



MYE Wireless 900MHz TV Receiver with FM option. Model: MWC2-9

The MYE MWC2-9 Receiver allows the user to listen to a TV or other audio source connected to a compatible 900MHz transmitter. It can also be used as an FM radio receiver. The MWC2-9 is powered by using a MYE Entertainment CSAFE cable plugged directly into any standard cardio CSAFE port or MYE 9 Volt AC Adapter.



Main Features:

TV Button

Selects audio from TV's connected to 900MHz transmitters.

FM Button

Selects audio from FM broadcast radio.

Channel Up/Down Buttons

Selects next desired audio channel Up or Down.

Volume Up/Down Buttons

Controls Volume Level Up or Down

Scan

Allows user to scan automatically up to next available (US) FM radio channel.

Previous Channel

Allows user to jump back to the previously selected FM channel.

Power Button

Turns Receiver ON/OFF

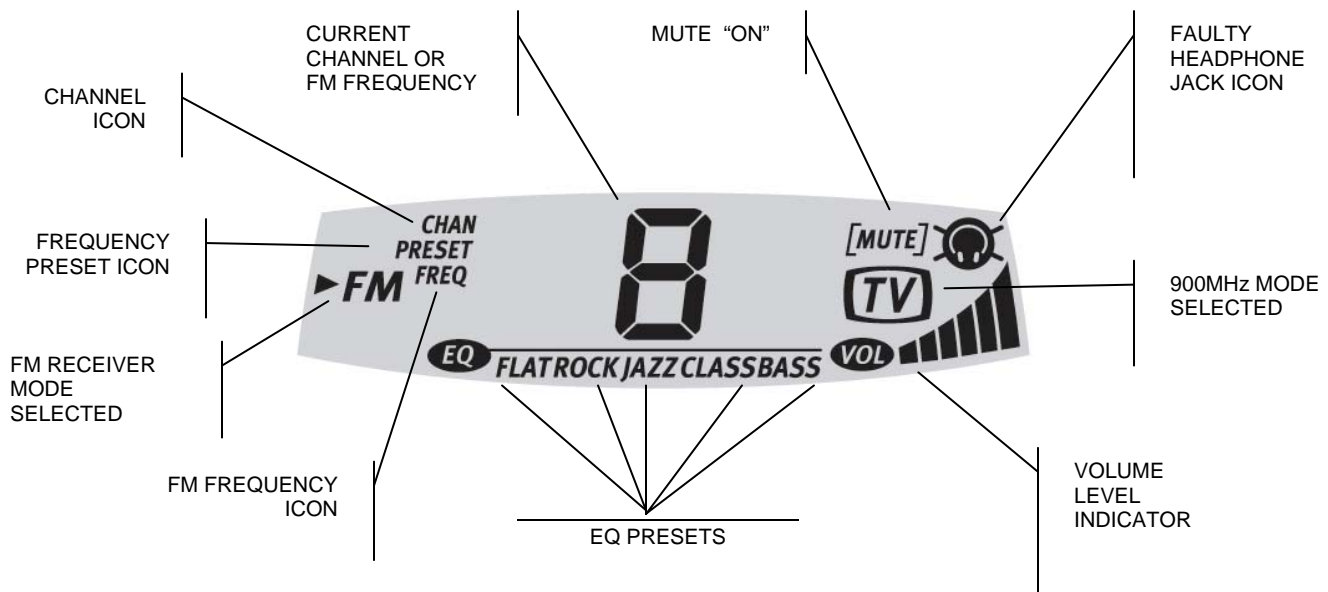
Mute

Mute ON or OFF

EQ Select

Selects between 5 preset EQ tones: Flat, Rock, Jazz, Classical & Bass

DISPLAY and ICON IDENTIFICATION



Programming - Far/Near Reception

This feature provides the ability to set the reception sensitivity of each MYE MWC2-9 receiver depending on the proximity between the receiver and transmitter.

Far Mode: (Default): The far mode is the most widely used and will accommodate the majority of installations.

Near Mode: The near mode is used primarily in situations where the MWC2-9 receiver is positioned very close to one or more transmitters. The Near Mode is recommended when receivers are installed between 1 and 5 feet from a transmitter.

Far / Near Mode

Note: The factory default is set to "Far" (HI).

To change to "Near" mode (LO):

1. Start with the MWC2-9 in the OFF position.
2. With the unit OFF, press and hold the Volume UP button.
3. While holding the Volume UP button, press and release the POWER button.
4. Wait three seconds while continuing to hold Volume UP button until 'LO' is appears on the display.
5. To revert back to Far mode simply follow steps 1-4 until "HI" appears on display.

Programming

The MYE MWC2-9 receiver must be programmed to detect and lock in the MYE Entertainment transmitters as well as the other brands of transmitters listed below. The MWC2-9 features both “auto” and “manual” program modes. In the auto mode the MWC2-9 will automatically search for and program in your transmitters. The manual mode provides the ability to add or erase a specific transmitter channel or unwanted frequency caused by spurious emissions or other local elements.

Auto Program Mode

1. Press Channel Down and Volume Up buttons simultaneously for three seconds until “P-1” appears on the display.
2. Press the “Ch Up ” button to select one of the following program modes:
 - P-1 = MYE Entertainment 900MHz Transmitters
 - P-2 = Cardio Theater LCS 900MHz Transmitters
 - P-3 = Cardio Theater / Enercise xTV 900MHz Transmitters
 - P-4 = BroadcastVision 900MHz Transmitters
3. After selecting the Transmitter Mode, press the TV button to auto-scan and lock transmitters.
4. Press the Channel Up or Channel Down buttons to determine all transmitters have been locked in. NOTE: “PRESET” will appear in the display when a transmitter channel is programmed.
5. To exit program mode press the EQ button. The display will blink briefly and then default to first transmitter channel programmed.

Manual Program Mode (Add or Delete Frequencies)

1. Press Channel Down and Volume UP buttons simultaneously for three seconds until “P-1” appears on the display.
2. Press the “Ch Up” button to select one of the following transmitter program modes listed above.
3. Press the EQ button
4. Press CHANNEL UP/DOWN buttons to scroll through all transmitter channels.
5. To add or delete a transmitter channel press the “TV” button. NOTE: “PRESET” will appear in the display when a transmitter channel is programmed.
6. To exit manual program mode press the EQ button. The display will blink briefly and will default to first transmitter channel programmed.

FM RADIO

Pressing the “FM” key switches the audio reception mode from 900MHz to FM. The FM Radio option is set to receive US FM radio broadcasts from 87.5 to 107.9. Use the SCAN key to scan automatically up to next available FM channel. Use the channel UP / Down keys to move up / down one FM frequency at a time.

FM RADIO - Disable

The FM Radio function may be disabled (or enabled) by holding down the ‘FM’ button for three seconds at power up. The factory default for FM Radio is “enabled.”

1. Start with unit OFF. Press and hold the “FM” button.
2. Press power ON button. Wait 3 seconds. FM icon and FM arrow icon ‘▶’ are used to display FM radio mode status.
 - a. **Only the FM arrow icon ‘▶’** will display for 3 seconds when FM Radio “disable” has been selected. When the FM Radio mode has been disabled, the FM icon will no longer be visible during normal operation.



- b. The **FM icon and the FM arrow icon ‘▶’** are both displayed when FM Radio “enable” has been selected.



Other Features

Headphone Removal Monitoring

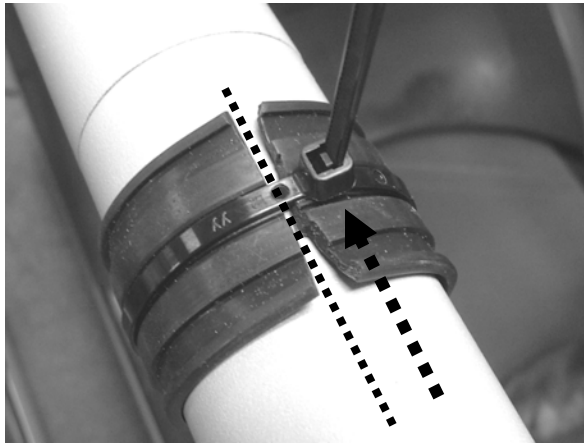
When the receiver detects that the headphones have been removed for more than ten seconds, it will automatically return the volume setting of the receiver to a nominal level.

Power Supply Monitoring

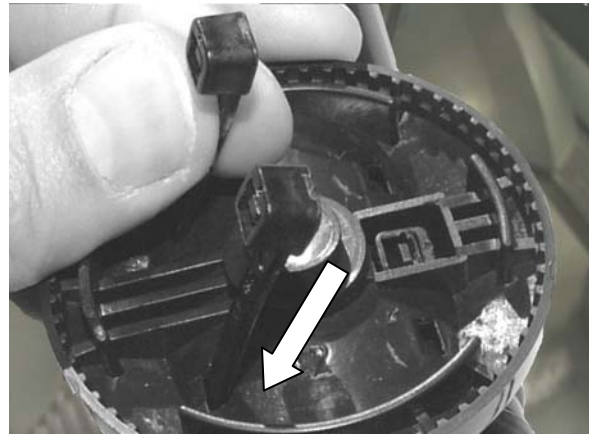
When the receiver detects low power input below 4.6vdc it will automatically power down to a stand-by (off) state.

Attaching the Receiver

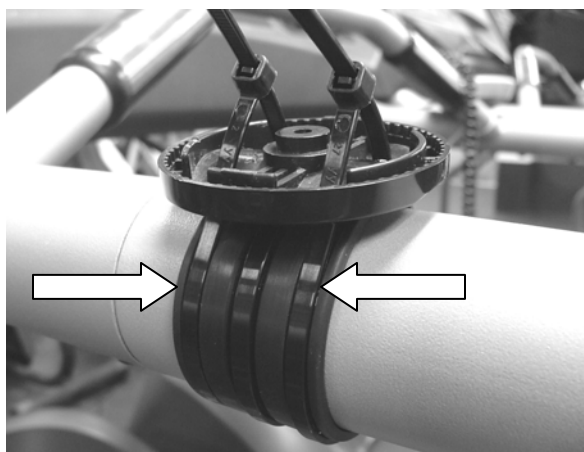
The MWC2-9 receiver uses the MYE Entertainment Secure Grip Mounting Band. Mounting the MWC2-9 is now quick, secure and discrete. It is required that the Secure Grip Mounting Band always be used when installing MYE Entertainment MWC2 receivers.



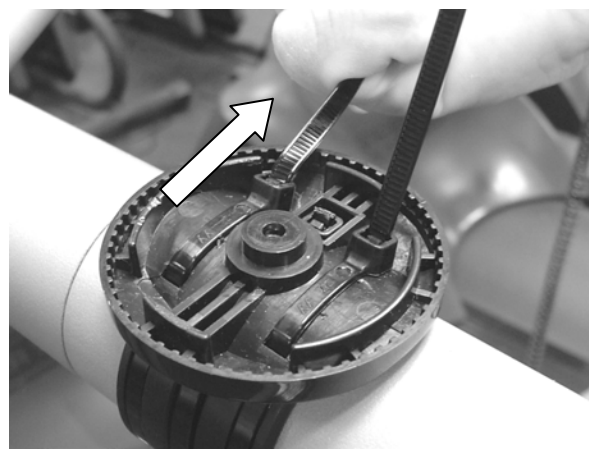
Wrap the Secure Grip Band around the intended mounting pole and cut to fit. Do not overlap ends or have a gap over 1/8". Secure the Grip Band with 1 MYE nylon tie in the center channel. OFFSET the knuckle of the nylon tie from center by approximately 1/4". Trim the excess nylon tie completely.



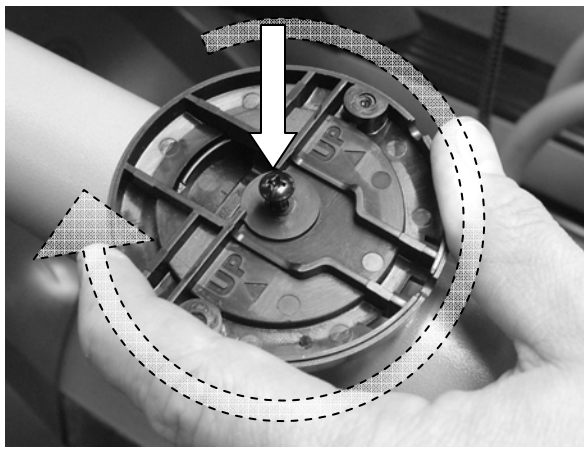
Install the Mounting Base over the nylon tie knuckle. Insert two MYE nylon ties into the holes opposite the tie knuckle hole.



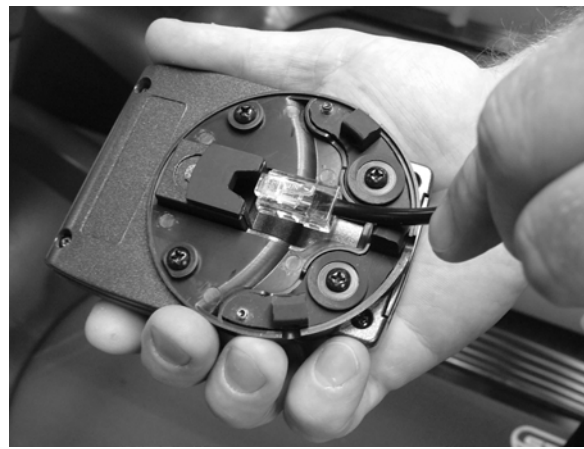
Seat the nylon ties into the corresponding channels of the Secure Grip Band.



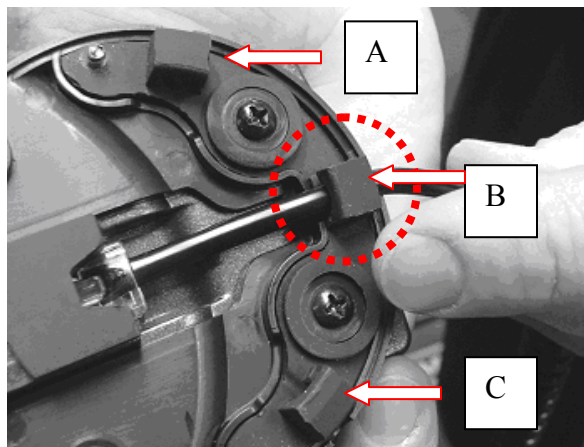
Pull the nylon ties tight to align all 3 tie knuckles. Trim all excess nylon tie completely.



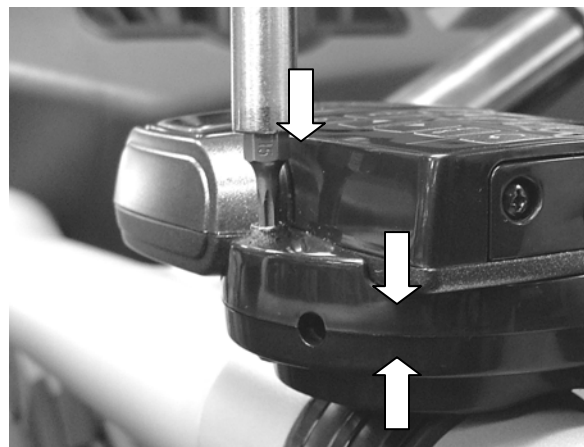
Position and install the Rear Flange onto the Mounting Base. Interlocking gears assure secure positioning regardless of the rotation.



Insert one end of the CSAFE* cable into the RJ45 jack on the back of the receiver assembly. MYE receivers can be powered by CSAFE ports on CSAFE compliant cardio equipment or MYE 9 volt power supplies.



Route the CSAFE cable through the appropriate rubber cable blocks A, B or C depending on where you need the cable to exit the receiver flange.



Align and attach the C2 receiver assembly to the Rear Flange using the Front Flange mounting screws.

*USE only MYE Entertainment CSAFE cables with all MYE Entertainment receivers (900MHz, 800MHz or FM). MYE Entertainment will not be responsible for damage to receivers or cardio equipment when alternate or other cables are used.

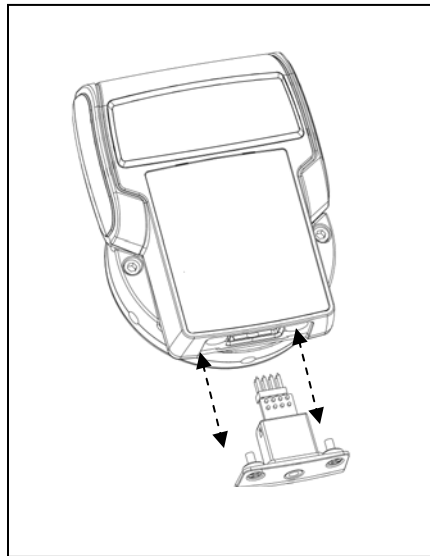
IntelliJack - Self Diagnostic Headphone Jack

The IntelliJack self diagnostic headphone circuit detects when the headphone jack has failed or been damaged. When a faulty headphone jack is detected, a flashing “headphone” icon appears in the LCD display. It will remain on until a new jack is installed and the icon reset.



To Replace the Intellijack:

1. Loosen the two screws evenly on the bottom of the IntelliJack module and remove.
2. Carefully insert new IntelliJack module without bending contact pins.
3. Reset the Icon. Turn MYE Receiver OFF then press and hold the “Power” button for 3-4 seconds. When the “headphone” icon appears again release the Power button.



IMPORTANT NOTICE: Faulty headphones can trigger the faulty headphone jack icon. It is important to test the headphone jack prior to replacement. If the headphone jack is deemed OK simply follow step #3 above to reset the faulty headphone jack.

WARRANTY

PLEASE READ THESE WARRANTY TERMS AND CONDITIONS CAREFULLY BEFORE USING YOUR MYE ENTERTAINMENT PRODUCT. BY USING THE EQUIPMENT, YOU ARE CONSENTING TO BE BOUND BY THE FOLLOWING WARRANTY TERMS AND CONDITIONS.

LIMITED WARRANTY

MYE ENTERTAINMENT (MYE) WARRANTS ALL NEW MYE PRODUCTS TO BE FREE FROM DEFECTS IN MATERIALS AND MANUFACTURERS FOR THE WARRANTY PERIODS SET FORTH BELOW. THE WARRANTY PERIODS COMMENCE ON THE INVOICE DATE OF THE ORIGINAL PURCHASE. THIS WARRANTY APPLIES ONLY AGAINST DEFECTS DISCOVERED WITHIN THE WARRANTY PERIOD AND EXTENDS ONLY TO THE ORIGINAL PURCHASER OF THE PRODUCT. PARTS REPAIRED OR REPLACED UNDER THE TERMS OF THIS WARRANTY WILL BE WARRANTED FOR THE REMAINDER OF THE ORIGINAL WARRANTY PERIOD ONLY. TO CLAIM UNDER THIS WARRANTY, THE BUYER MUST NOTIFY MYE OR YOUR AUTHORIZED MYE ENTERTAINMENT DEALER WITHIN 30 DAYS AFTER THE DATE OF DISCOVERY OF ANY NONCONFORMITY AND MAKE THE AFFECTED PRODUCT AVAILABLE FOR INSPECTION BY MYE ENTERTAINMENT OR ITS SERVICE REPRESENTATIVE. MYE ENTERTAINMENT PRODUCTS DEEMED DEFECTIVE BY A MYE ENTERTAINMENT REPRESENTATIVE WILL BE ISSUED A RETURN AUTHORIZATION NUMBER. MYE ENTERTAINMENT WILL NOT ACCEPT RETURNS WITHOUT A RETURN AUTHORIZATION NUMBER. MYE ENTERTAINMENT RESERVES THE RIGHT, AT THEIR OPTION, TO REPAIR OR REPLACE THE PRODUCT AFTER VERIFICATION OF DEFECT. PRODUCT THAT FAILS AFTER THE WARRANTY PERIOD EXPIRES WILL BE REPAIRED OR REPLACED AT THE CURRENT PART AND LABOR PRICING AFTER AUTHORIZATION FROM THE CUSTOMER. REPAIRS ARE WARRANTED FOR 90 DAYS. MYE ENTERTAINMENT'S OBLIGATIONS UNDER THIS WARRANTY ARE LIMITED AS SET FORTH BELOW:

WARRANTY PERIODS AND COVERAGE:

MYE ENTERTAINMENT C2 RECEIVERS 2 YEAR PARTS, LABOR

CONDITIONS AND RESTRICTIONS:

THIS WARRANTY IS VALID ONLY IN ACCORDANCE WITH THE FOLLOWING CONDITIONS:
THE WARRANTY APPLIES TO THE MYE ENTERTAINMENT PRODUCT ONLY 1) WHILE IT REMAINS IN THE POSSESSION OF THE ORIGINAL PURCHASER AND PROOF OF PURCHASE IS DEMONSTRATED. 2) IT HAS NOT BEEN SUBJECT TO ACCIDENT, MISUSE, ABUSE, IMPROPER SERVICE, MECHANICAL OR ELECTRICAL NON-MYE ENTERTAINMENT AUTHORIZED MODIFICATION. 3) CLAIMS MADE WITHIN THE WARRANTY PERIOD.
THIS WARRANTY DOES NOT COVER DAMAGED OR FAILURE CAUSED BY ELECTRICAL WIRING NOT BEING IN COMPLIANCE WITH ELECTRICAL CODES OR MYE'S OWNER MANUAL SPECIFICATIONS, OR FAILURES TO PROVIDE REASONABLE AND NECESSARY MAINTENANCE AS OUTLINED IN THE OWNER'S MANUAL.

WARRANTIES OUTSIDE THE UNITED STATES AND CANADA MAY VARY. PLEASE CONTACT YOUR LOCAL DEALER FOR DETAILS.

LIMITED WARRANTY SHALL NOT APPLY TO:

- 1) SOFTWARE UPGRADES.
- 2) NORMAL WEAR AND TEAR, CONSUMABLES AND COSMETIC ITEMS INCLUDING BUT NOT LIMITED TO LABELS.
- 3) REPAIRS PERFORMED ON MYE PRODUCTS MISSING A SERIAL NUMBER OR WITH A SERIAL TAG THAT HAS BEEN ALTERED, REATTACHED OR DEFACED.
- 4) SERVICE CALLS TO CORRECT INSTALLATION OF THE PRODUCT OR INSTRUCT OWNERS ON HOW TO USE THE PRODUCT.
- 5) PICK UP AND DELIVERY INVOLVING REPAIRS
- 6) ANY LABOR COSTS INCURRED BEYOND THE APPLICABLE LABOR WARRANTY PERIOD
- 7) THE USER IS CAUTIONED THAT CHANGES OR MODIFICATIONS NOT EXPRESSLY APPROVED BY THE MANUFACTURER OF THE PRODUCT COULD VOID THE USER'S AUTHORITY TO OPERATE THE PRODUCT.

WARRANTY – cont.

THE WARRANTIES PROVIDED HEREIN ARE THE EXCLUSIVE WARRANTIES GIVEN BY MYE ENTERTAINMENT AND SUPERSEDE ANY PRIOR, CONTRARY OR ADDITIONAL REPRESENTATIONS, WHETHER ORAL OR WRITTEN. ANY IMPLIED WARRANTIES, INCLUDING THE WARRANTY OF MERCHANTABILITY OR FITNESS FOR A PARTICULAR PURPOSE THAT APPLY TO ANY PARTS DESCRIBED ABOVE ARE LIMITED IN DURATION TO THE PERIODS OF EXPRESS WARRANTIES GIVEN ABOVE FOR THOSE SAME PARTS. MYE HEREBY DISCLAIMS AND EXCLUDES THOSE WARRANTIES THEREAFTER. SOME STATES DO NOT ALLOW LIMITATIONS ON HOW LONG AN IMPLIED WARRANTY LASTS, SO THE ABOVE LIMITATION MAY NOT APPLY TO YOU. MYE ENTERTAINMENT ALSO HEREBY DISCLAIMS AND EXCLUDES ALL OTHER OBLIGATIONS OR LIABILITIES, EXPRESS OR IMPLIED, ARISING BY LAW OR OTHERWISE, WITH RESPECT TO ANY NONCONFORMANCE OR DEFECT IN ANY PRODUCT, INCLUDING BUT NOT LIMITED TO: (A) ANY OBLIGATION, LIABILITY, RIGHT, CLAIM OR REMEDY IN TORT, WHETHER OR NOT ARISING FROM THE NEGLIGENCE OF MYE OR ITS SUPPLIERS (WHETHER ACTIVE, PASSIVE OR IMPUTED); AND (B) ANY OBLIGATION, LIABILITY, RIGHT, CLAIM OR REMEDY FOR LOSS OF OR DAMAGE TO ANY PRODUCT. THIS DISCLAIMER AND RELEASE SHALL APPLY EVEN IF THE EXPRESSED WARRANTY SET FORTH ABOVE FAILS OF ITS ESSENTIAL PURPOSE.

FOR ANY PRODUCT DESCRIBED ABOVE THAT FAILS TO CONFORM TO ITS WARRANTY, MYE ENTERTAINMENT WILL PROVIDE, AT THEIR OPTION ONE OF THE FOLLOWING: 1) REPAIR, 2) REPLACEMENT OR 3) REFUND OF THE PURCHASE PRICE.

MYE AND/OR ITS SUPPLIERS SHALL HAVE NO OBLIGATION OR LIABILITY, WHETHER ARISING IN CONTRACT (INCLUDING WARRANTY), TORT (INCLUDING ACTIVE, PASSIVE, OR IMPUTED NEGLIGENCE AND STRICT LIABILITY), OR OTHERWISE, FOR DAMAGE TO THE PRODUCT, PROPERTY DAMAGE, LOSS OF USE, REVENUE OR PROFIT, COST OF CAPITAL, COST OF SUBSTITUTE PRODUCT, ADDITIONAL COSTS INCURRED BY BUYER (BY WAY OF CORRECTION OR OTHERWISE) OR ANY OTHER INCIDENTAL, SPECIAL, INDIRECT, OR CONSEQUENTIAL DAMAGES, WHETHER RESULTING FROM NON-DELIVERY OR FROM THE USE, MISUSE OR INABILITY TO USE THE PRODUCT. THIS EXCLUSION APPLIES EVEN IF THE ABOVE WARRANTY FAILS OF ITS ESSENTIAL PURPOSES AND REGARDLESS OF WHETHER SUCH DAMAGES ARE SOUGHT FOR BREACH OF WARRANTY, BREACH OF CONTRACT, NEGLIGENCE OR STRICT LIABILITY IN TORT OR UNDER ANY OTHER LEGAL THEORY.

SOME STATES DO NOT ALLOW THE EXCLUSION OR LIMITATION OF INCIDENTAL OR CONSEQUENTIAL DAMAGES SO THE ABOVE LIMITATION MAY NOT APPLY TO YOU.

THIS WARRANTY GIVES SPECIFIC LEGAL RIGHTS. YOU MAY ALSO HAVE OTHER RIGHTS WHICH VARY FROM STATE TO STATE.



MYE Entertainment, LLC
25129 The Old Road
Suite 305
Stevenson Ranch, Ca. 91381
1-661-964-0217

www.myclubtv.com