



# MTVC2-FM

**MYE Entertainment TV Controller  
with FM Receiver Option**

## Operation Manual



# CONTENTS

FCC COMPLIANCE.....	2
INDUSTRY CANADA COMPLIANCE.....	2
MTVC2 ORIENTATION.....	3
KEYPAD ORIENTATION.....	4
DISPLAY ORIENTATION.....	5
SPECIAL FEATURES.....	5
CHANNEL DEFAULT / AUTO DEFAULT.....	6
FM RADIO .....	7
SET as a TV CONTROLLER ONLY.....	8
SET as an FM RADIO RECEIVER ONLY.....	8
ATTACHING THE CONTROLLER.....	9
INTELLIJACK.....	11
WARRANTY.....	12/13

## FCC Compliance Statement

**NOTE: This equipment has been tested and found to comply with the limits for a class B digital device pursuant to part 15 of the FCC rules.**

These limits are designed to provide reasonable protection against harmful interference when the equipment is operated in a residential environment. This equipment generates, uses and can radiate radio frequency energy and if not installed and used in accordance with the instruction manual may cause harmful interference to radio communications. However, there is no guarantee that interference will not occur in a particular installation. If this equipment does cause harmful interference to radio or television reception, which can be determined by turning the unit off and on, the user is encouraged to try to correct the interference by one or more of the following measures:

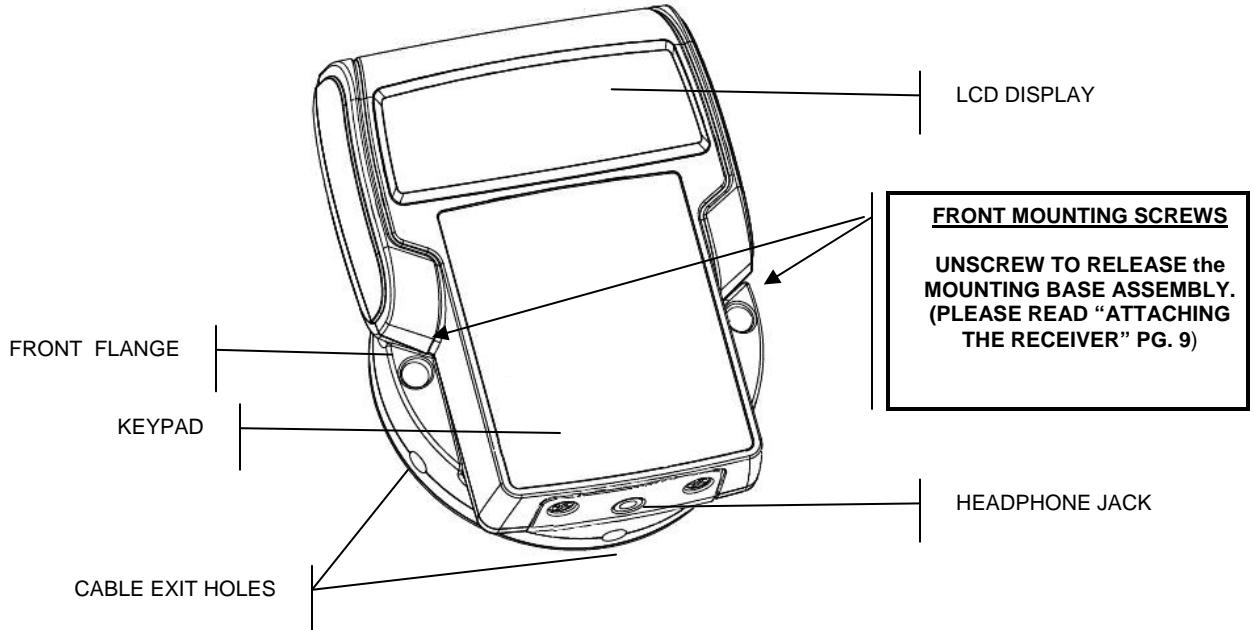
- Reorient or relocate the receiver.
- Increase the separation between the equipment and the receiver.
- Connect the equipment to an outlet different from that which the receiver is connected.
- Consult your MYE dealer or experienced Radio / TV technician

## INDUSTRY CANADA COMPLIANCE STATEMENT

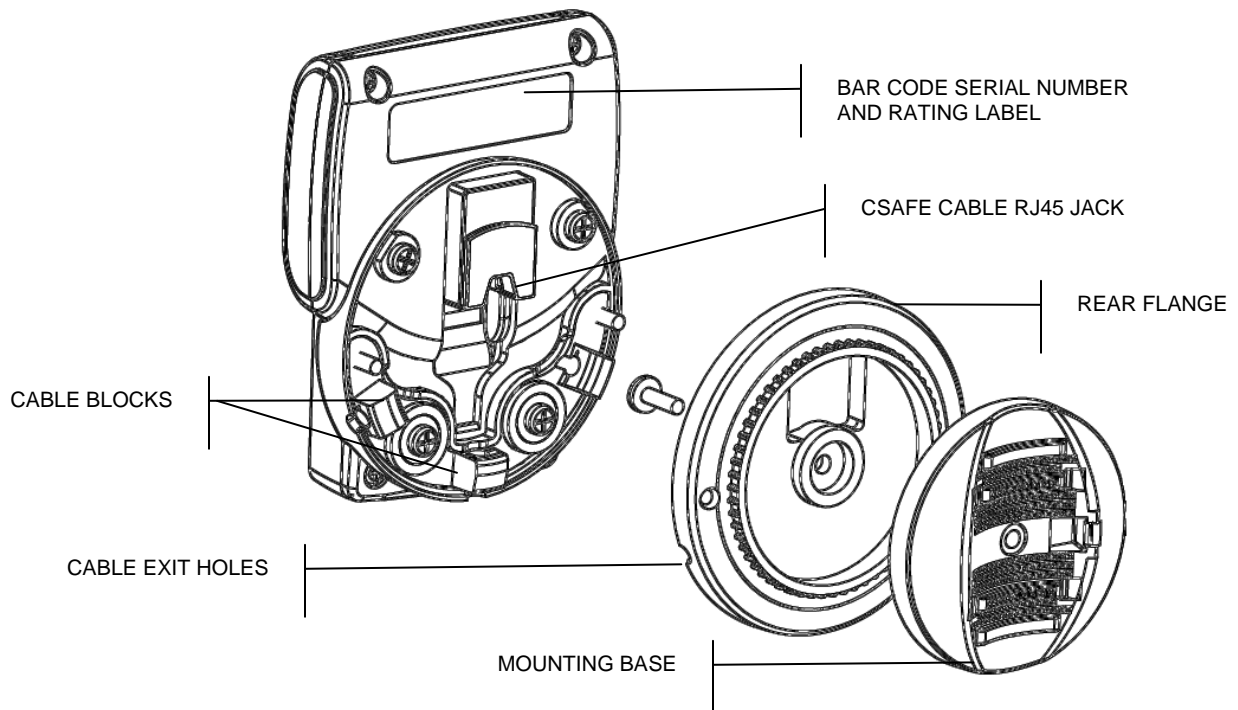
- (1) This device may not cause harmful interference, and
- (2) This device must accept any interference received, including interference that may cause undesired operation.



**RECEIVER ASSEMBLY - FRONT VIEW**

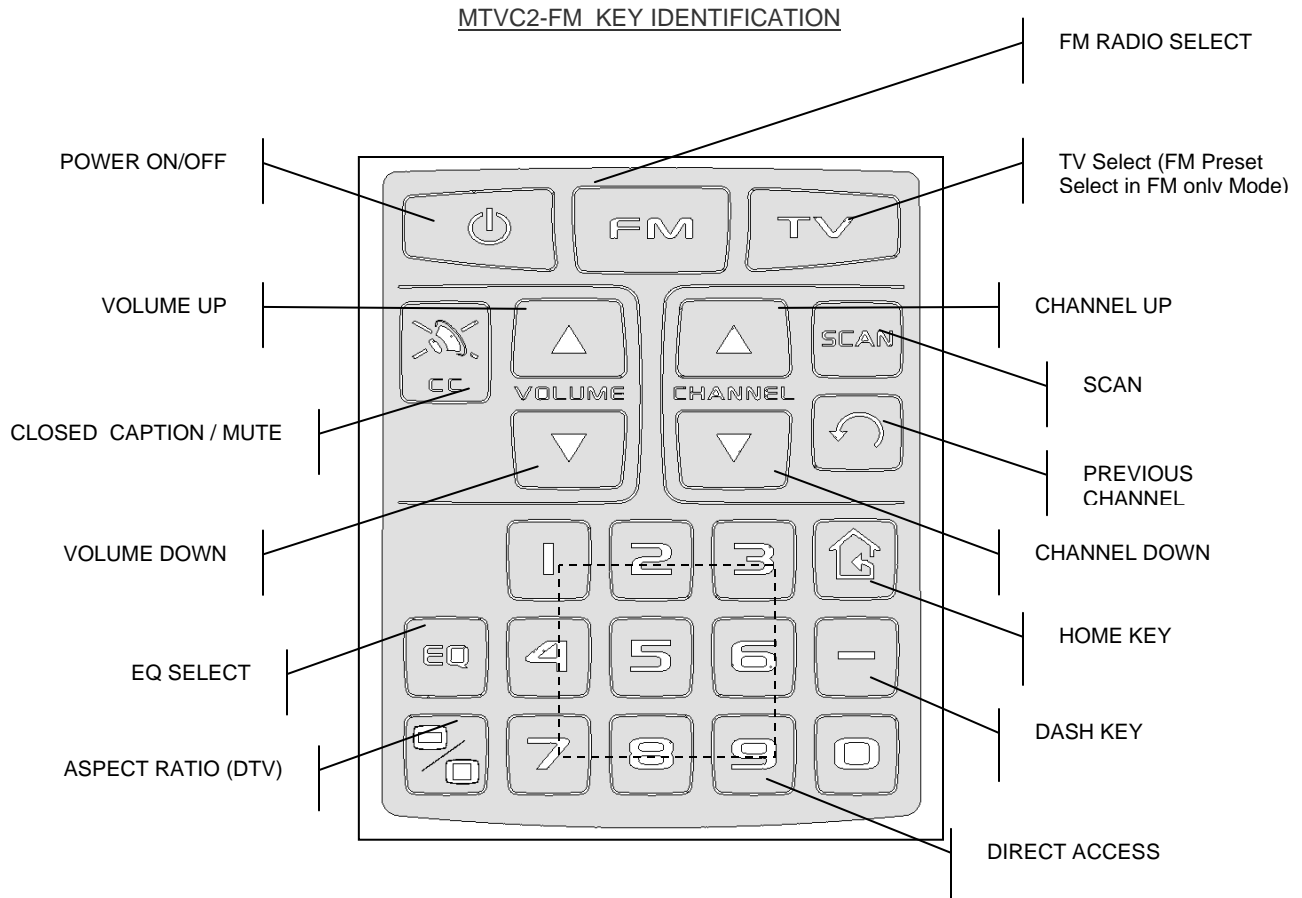


**RECEIVER ASSEMBLY & MOUNTING - REAR VIEW**



USE only MYE Entertainment cables with all MYE Entertainment receiver controllers. MYE Entertainment will not be responsible for damage to controllers or cardio equipment when alternate cables or power adapters are used.

# MYE Entertainment Digital TV Controller with FM Option Model MTVC2-FM



## Main Features:

### **POWER**

ON/OFF

### **FM RADIO SELECT**

Selects FM mode for audio from FM radio broadcasts.

### **Volume Up/Down**

Controls Volume Level Up and Down

### **Mute**

Toggles between Mute ON/OFF – Closed Caption ON/OFF (TV mode) and MUTE ON/OFF (FM mode).

### **EQ Select**

Select between 5 preset EQ tones:  
Flat, Rock, Jazz, Classical & Bass

### **ASPECT RATIO**

Adjust the picture ASPECT RATIO of TV programs (DTV mode) (16:9 or 4:3)

### **DIRECT ACCESS**

DIRECT CHANNEL ACCESS (TV mode) or DIRECT FM FREQUENCY ACCESS (ex: 106.7) (FM mode).

### **TV**

Return to TV mode as a TV controller from FM mode. Also selects FM PRESET mode while in FM RECEIVER (ONLY) mode.

### **Channel Up/Down**

Selects up or down TV channel (TV mode) or FM frequency (FM mode).

### **Scan**

Allows user to SCAN through each programmed TV channel (TV mode) . Pauses 5 seconds on each channel until next KEY PRESS. Also, SCANS to next available FM radio station. (FM mode)

### **Previous Channel**

Allows user to jump back to the previously listened to channel

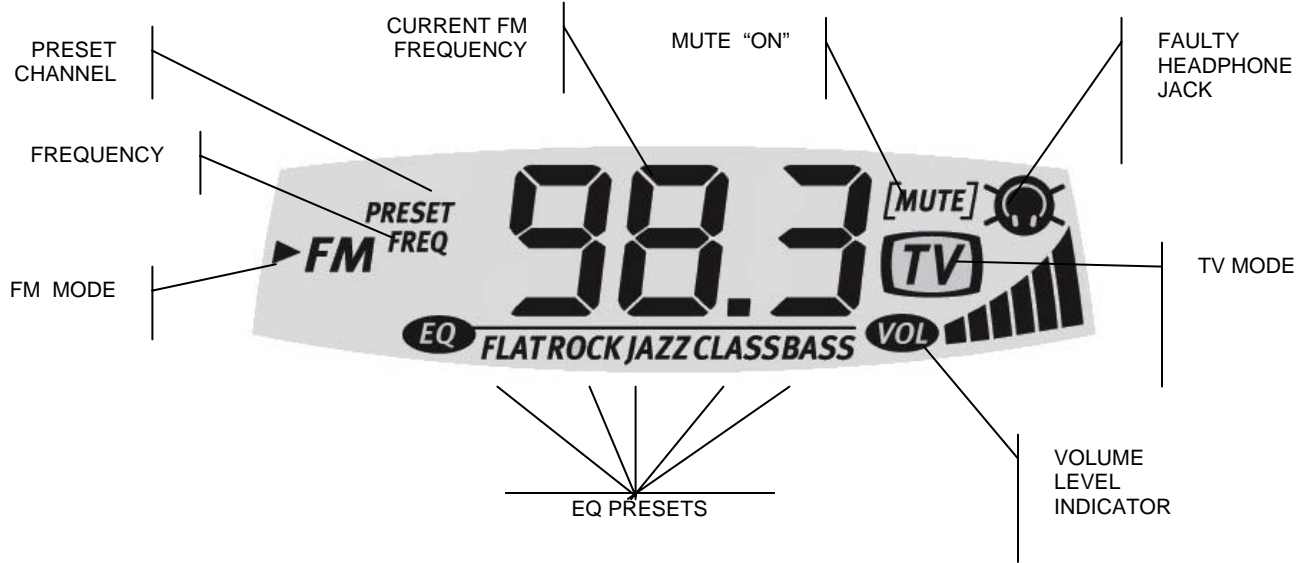
### **Home Key**

Allows user to jump to a preset HOME channel.

### **DASH**

For DIRECT ACCESS channel selection in DTV mode.

## DISPLAY and ICON IDENTIFICATION



### Special Features:

- **AUTO OFF Sensor**
- **Channel Default**
- **Auto Default – Private Network Channel Default**
- **FM Radio**

### Auto OFF Sensor

The controller can be set to monitor for the absence of vibration for 10 minutes. Should this occur, the console can automatically power OFF the TV and controller, saving energy and extending product life.

To Enable the Auto OFF Sensor:

Note: Factory default is "Disabled."

1. Press the "Scan & CC" buttons simultaneously for 3-5 seconds until the word "OFF" is displayed
2. Press the "TV" button to turn the feature ON.
3. Press the "EQ" button or wait 5 seconds to set and exit.

To Disable the Auto OFF Sensor

1. Press the "Scan & CC" buttons simultaneously for 3-5 seconds until the word "OFF" is displayed.
2. Press the "EQ" button or wait 5 seconds to set and exit.

## **Channel Default**

This feature allows the LCD TV to default to a preset TV channel when turned ON. When a default channel has been programmed into the controller the TV will turn on but change to a predetermined channel during which time it will lock out the user key pad functions for 10 seconds. Note: Factory default is 'Off'.

To set a Default TV Channel:

1. Press the "1 & 3" keys simultaneously for 3-4 seconds. The word "Off" will flash in the display.
2. Press the "1" key to enter Channel Default set up mode.
3. Select the desired default TV channel number by pressing the direct access numeric keys including the DASH key for digital channels.
4. Press the "EQ" button or wait 5 seconds to set and exit.

## **Disable Channel Default**

1. Press the "1 & 3" keys simultaneously for 3-4 seconds. The word "Off" will appear in the display.
2. Press the "EQ" button or wait 5 seconds to set and exit.

## **Auto Default – Private Network Channel Default**

Exclusive feature works with in-club private TV networks including ClubCom™ and Digital Signage systems.

This feature allows the LCD TV to default to a preset TV channel when turned ON, wait a user set delay time then default to a second preset TV channel (Home). During the preset delay time the user will be unable to use the key pad functions and the controller's display will count down the remaining seconds of the lock out. Once normal viewing has started and no activity is detected by the controller (no vibration) for a period of 10 minutes the TV channel will automatically default back to the second predetermined TV channel (Home). Also, if at any time during use the HOME key is pressed the TV will automatically switch to HOME. Auto Default can be turned off by enabling Channel Default or by selecting OFF when entering the set up mode. Note: Factory default is OFF.

To set the Auto Default TV Channels:

1. Press the "1 & 3" keys simultaneously for 3-4 seconds. The word "Off" will flash in the display.
2. Press the "2" key to enter Auto Default set up mode.
3. Select the first desired default TV channel number by pressing the direct access numeric keys.
4. Press the "EQ" button or wait 5 seconds to set.
5. Select the second desired default TV channel (HOME) by pressing the direct access numeric keys.
6. Press the "EQ" button or wait 5 seconds to set.
7. A TIME number will appear. Press CHANNEL UP button to scroll through the available time settings (5, 10, 15, 20, 25, 30) Note: Factory default is 30 seconds.
8. Press the "EQ" button to set the above information or wait 5 seconds to set.

## **Disable Auto Default**

To disable Auto Default (only):

1. Press the "1 & 3" keys simultaneously for 3-4 seconds. The word "Off" will flash in the display.
2. Press the "2" key to enter Auto Default set up mode.
3. Select "0" as the desired TV Default Channel.
4. Program will automatically move to HOME default channel entry.
5. Select "0" again as the desired Auto Channel default channel (HOME).
6. Program will automatically accept and exit Auto Default program mode.

To disable Auto Default & Channel Default:

1. Press the "1 & 3" keys simultaneously for 3-4 seconds. The word "Off" will flash in the display.
2. Press the "EQ" button or wait 5 seconds to set and exit.

## **FM RADIO**

Pressing the "FM" key switches the audio mode from TV to FM radio. Users can press the SCAN key or channel UP / DOWN keys to move to next available FM channel. They can also use the number keys to direct access a radio station frequency. (Ex: 101.5)

- **FM Mode Select ( US – Japan – International)**
- **To SET as a TV CONTROLLER (only)**
- **To SET as an FM RADIO RECEIVER (only)**
- **Programming Stations into FM memory (Presets)**
- **Erase FM Radio Station Presets**

## **FM RADIO MODE SELECT (United States – Japan – International)**

The FM Radio reception mode may be manually set to receive FM radio for the United States, Japan or International FM.

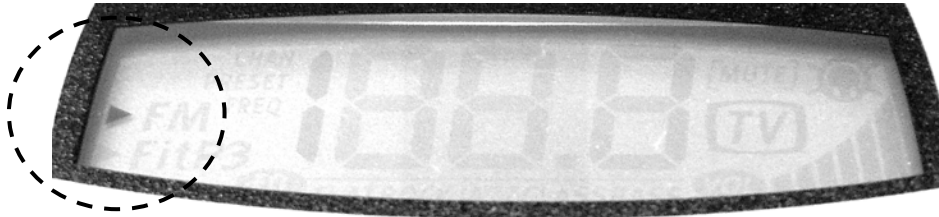
1. Start with unit OFF. Press and hold the "TV" button.
2. Press power ON button.
3. FM frequency mode will cycle to next mode in the rotation.  
Modes will appear in LCD window as:

US = United States (87.5 – 107.9MHz) (200kHz steps)  
JP = Japan (76.0 – 90.0MHz) (100kHz steps)  
In = International (87.5 – 107.9MHz) (100kHz steps)

4. To cycle to next FM frequency mode turn unit OFF.
5. Press and hold the "TV" button.
6. Press power ON button.
7. FM frequency mode will cycle to next mode.

### **SET as a TV CONTROLLER (only) (FM RADIO Disabled)**

1. Start with unit OFF. Press and hold the “0” button.
2. Press power ON button.
  - a. **The FM arrow icon** (only) is displayed when FM Radio “disable” has been selected. When the FM Radio mode has been disabled, the FM icon is no longer visible during normal operation.
  - b. **The FM icon and the FM arrow icon** are displayed when FM Radio “enable” has been selected.



Only the FM arrow icon is displayed when FM Radio “disable” has been selected.

### **Set as an FM RADIO RECEIVER (only) (TV Controller Disabled )**

1. Start with unit OFF. Press and hold the “5” button.
2. Press power ON button.
  - a. The **FM - TV** icons are displayed to indicate the TV controller function is disabled and unit is now an FM receiver only.
  - b. The **TV** icon only is displayed when the TV controller and the FM radio option both have been enabled.

TV key = FM Radio PRESETS (20 Possible Presets Total)

FM key = FM Radio (Scan or Direct access)

### **Programming Stations into FM memory (FM Receiver mode only.)**

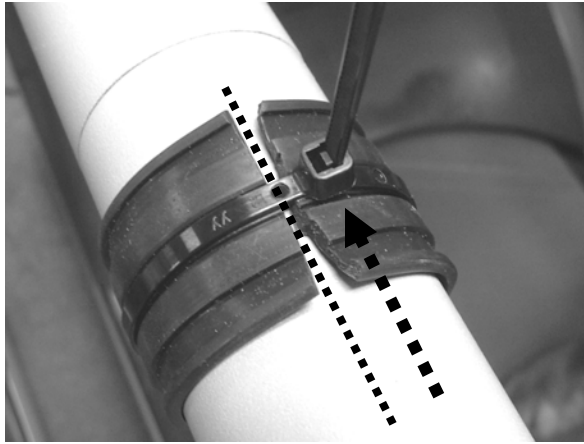
1. Press “TV” button to select FM PRESET Mode.
2. Press “Last & Mute/CC” buttons simultaneously for 3-4 seconds until radio frequency begins flashing.
3. To find the desired radio station press the Channel Up/Down buttons.
4. To store the selected radio station to a specific number, press the desired numeric key for 2 seconds. Upon release, the preset number will illuminate for 2 seconds before returning to the flashing frequency mode.
5. Select the next desired station and repeat the previous steps for up to 20 preset stations.
6. Press the “EQ” button to exit the program mode.

### **Erase FM Radio Station Presets**

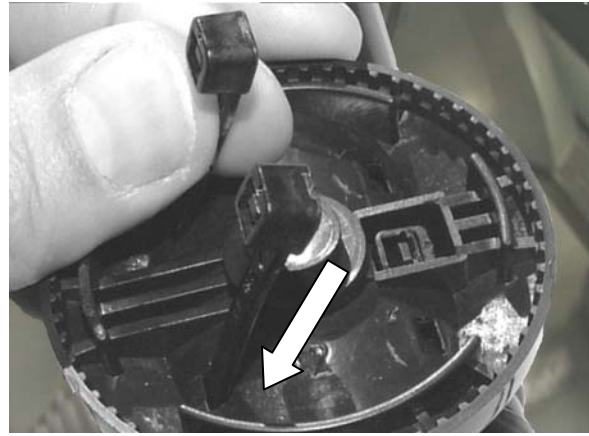
The FM Radio Presets may be erased by holding down the FM button down for three seconds at power up. The **FM** and **TV** icons will both be displayed, indicating that the erasure has taken place however Channel 1 will always retain 1 frequency.

## Attaching the Controller

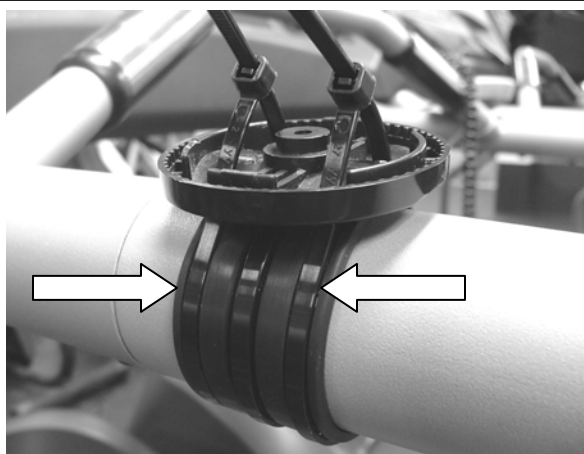
USE only MYE Entertainment cables with all MYE Entertainment receiver controllers. MYE Entertainment will not be responsible for damage to controllers or cardio equipment when alternate cables or power adapters are used.



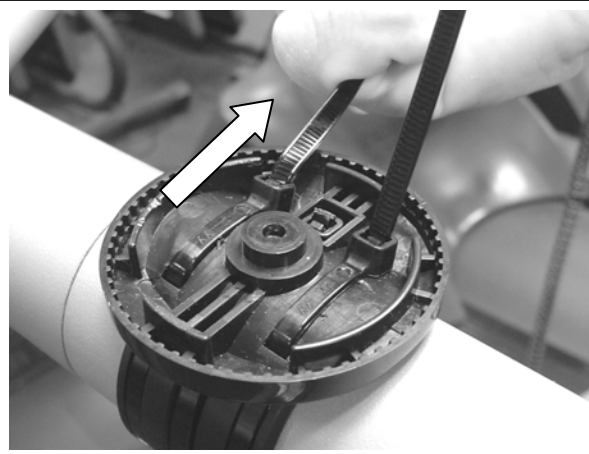
Wrap the Secure Grip Band around the intended mounting pole and cut to fit. Do not overlap ends or have a gap over 1/8". Secure the Grip Band with 1 nylon tie in the center channel. OFFSET the knuckle of the nylon tie from center by approximately 1/4". Trim the excess nylon tie completely.



Install the Mounting Base over the nylon tie knuckle. Insert two nylon ties into the holes opposite the tie knuckle hole.

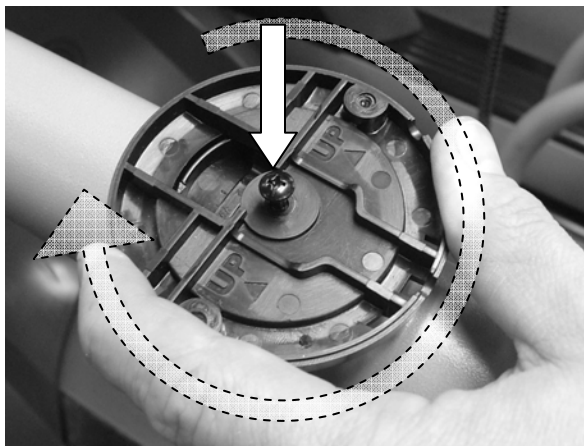


Seat the nylon ties into the corresponding channels of the Secure Grip Band.

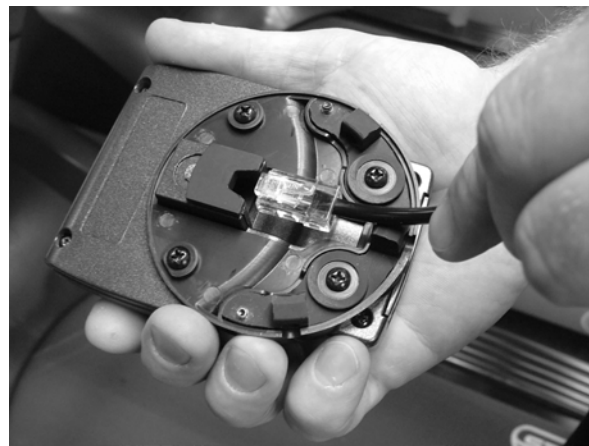


Pull the nylon ties tight to align all 3 tie knuckles. Trim all excess nylon tie completely.

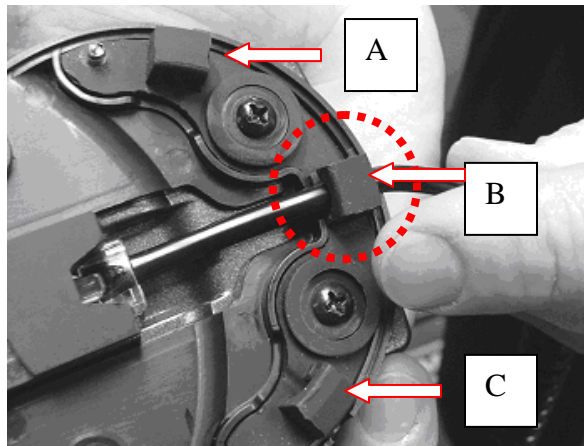
## Attaching the Controller – cont.



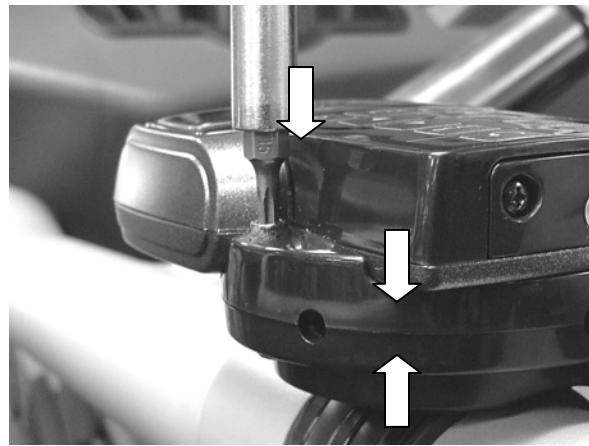
Position and install the Rear Flange onto the Mounting Base. Interlocking gears assure secure positioning regardless of the rotation.



Insert one end of the controller cable into the RJ45 jack on the back of the receiver assembly. Insert the other end of the controller cable in the MYE TV RJ45 port. See TV manual for additional information.



Route the cable through the appropriate rubber cable blocks A, B or C depending on where you need the cable to exit the receiver flange.



Align and attach the controller assembly to the Rear Flange using the Front Flange mounting screws.

USE only MYE Entertainment cables with all MYE Entertainment receiver controllers. MYE Entertainment will not be responsible for damage to controllers or cardio equipment when alternate or other cables are used.

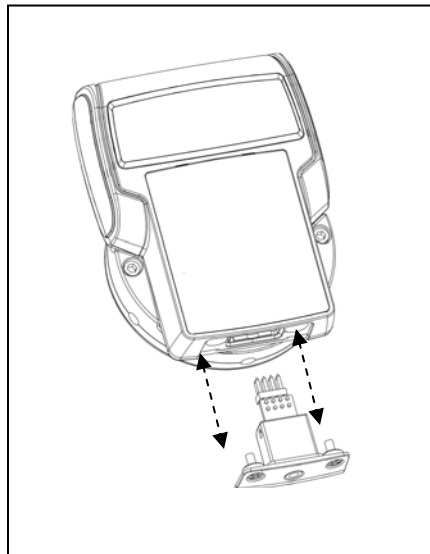
## **IntelliJack - Self Diagnostic Headphone Jack**

The IntelliJack self diagnostic headphone circuit detects when the headphone jack has failed or been damaged. When a faulty headphone jack is detected, a flashing “headphone” icon appears in the LCD display. It will remain on until a new jack is installed and the icon reset.



### **To Replace the Intellijack:**

1. Loosen the two screws evenly on the bottom of the IntelliJack module and remove.
2. Carefully insert new IntelliJack module without bending contact pins.
3. Reset the Icon. Turn MYE Controller OFF then press and hold the “Power” button for 3-4 seconds. When the icon appears again release the Power button.



**IMPORTANT NOTICE:** Defective user headphones may also trigger the faulty headphone jack icon. It is important to audibly test the headphone jack prior to replacement. If the problem was triggered by faulty headphones the icon may be reset by plugging in known good headphones for at least 10 seconds or following step #3 above.

## **WARRANTY**

**PLEASE READ THESE WARRANTY TERMS AND CONDITIONS CAREFULLY BEFORE USING YOUR MYE ENTERTAINMENT PRODUCT. BY USING THE EQUIPMENT, YOU ARE CONSENTING TO BE BOUND BY THE FOLLOWING WARRANTY TERMS AND CONDITIONS.**

### **LIMITED WARRANTY**

MYE ENTERTAINMENT (MYE) WARRANTS ALL NEW MYE PRODUCTS TO BE FREE FROM DEFECTS IN MATERIALS AND MANUFACTURERS FOR THE WARRANTY PERIODS SET FORTH BELOW. THE WARRANTY PERIODS COMMENCE ON THE INVOICE DATE OF THE ORIGINAL PURCHASE. THIS WARRANTY APPLIES ONLY AGAINST DEFECTS DISCOVERED WITHIN THE WARRANTY PERIOD AND EXTENDS ONLY TO THE ORIGINAL PURCHASER OF THE PRODUCT. PARTS REPAIRED OR REPLACED UNDER THE TERMS OF THIS WARRANTY WILL BE WARRANTED FOR THE REMAINDER OF THE ORIGINAL WARRANTY PERIOD ONLY. TO CLAIM UNDER THIS WARRANTY, THE BUYER MUST NOTIFY MYE OR YOUR AUTHORIZED MYE ENTERTAINMENT DEALER WITHIN 30 DAYS AFTER THE DATE OF DISCOVERY OF ANY NONCONFORMITY AND MAKE THE AFFECTED PRODUCT AVAILABLE FOR INSPECTION BY MYE ENTERTAINMENT OR ITS SERVICE REPRESENTATIVE. MYE ENTERTAINMENT PRODUCTS DEEMED DEFECTIVE BY A MYE ENTERTAINMENT REPRESENTATIVE WILL BE ISSUED A RETURN AUTHORIZATION NUMBER. MYE ENTERTAINMENT WILL NOT ACCEPT RETURNS WITHOUT A RETURN AUTHORIZATION NUMBER. MYE ENTERTAINMENT RESERVES THE RIGHT, AT THEIR OPTION, TO REPAIR OR REPLACE THE PRODUCT AFTER VERIFICATION OF DEFECT. PRODUCT THAT FAILS AFTER THE WARRANTY PERIOD EXPIRES WILL BE REPAIRED OR REPLACED AT THE CURRENT PART AND LABOR PRICING AFTER AUTHORIZATION FROM THE CUSTOMER. REPAIRS ARE WARRANTED FOR 90 DAYS. MYE ENTERTAINMENT'S OBLIGATIONS UNDER THIS WARRANTY ARE LIMITED AS SET FORTH BELOW:

#### WARRANTY PERIODS AND COVERAGE:

MTVC2-FM CONTROLLERS

2 YEAR PARTS, LABOR

#### CONDITIONS AND RESTRICTIONS:

THIS WARRANTY IS VALID ONLY IN ACCORDANCE WITH THE FOLLOWING CONDITIONS:  
THE WARRANTY APPLIES TO THE MYE ENTERTAINMENT PRODUCT ONLY 1) WHILE IT REMAINS IN THE POSSESSION OF THE ORIGINAL PURCHASER AND PROOF OF PURCHASE IS DEMONSTRATED. 2) IT HAS NOT BEEN SUBJECT TO ACCIDENT, MISUSE, ABUSE, IMPROPER SERVICE, MECHANICAL OR ELECTRICAL NON-MYE ENTERTAINMENT AUTHORIZED MODIFICATION. 3) CLAIMS MADE WITHIN THE WARRANTY PERIOD.  
THIS WARRANTY DOES NOT COVER DAMAGED OR FAILURE CAUSED BY ELECTRICAL WIRING NOT BEING IN COMPLIANCE WITH ELECTRICAL CODES OR MYE'S OWNER MANUAL SPECIFICATIONS, OR FAILURES TO PROVIDE REASONABLE AND NECESSARY MAINTENANCE AS OUTLINED IN THE OWNER'S MANUAL.

WARRANTIES OUTSIDE THE UNITED STATES AND CANADA MAY VARY. PLEASE CONTACT YOUR LOCAL DEALER FOR DETAILS.

#### LIMITED WARRANTY SHALL NOT APPLY TO:

- 1) SOFTWARE UPGRADES.
- 2) NORMAL WEAR AND TEAR, CONSUMABLES AND COSMETIC ITEMS INCLUDING BUT NOT LIMITED TO LABELS.
- 3) REPAIRS REFORMED ON MYE PRODUCTS MISSING A SERIAL NUMBER OR WITH A SERIAL TAG THAT HAS BEEN ALTERED, REATTACHED OR DEFACED.
- 4) SERVICE CALLS TO CORRECT INSTALLATION OF THE PRODUCT OR INSTRUCT OWNERS ON HOW TO USE THE PRODUCT.
- 5) PICK UP AND DELIVERY INVOLVING REPAIRS
- 6) ANY LABOR COSTS INCURRED BEYOND THE APPLICABLE LABOR WARRANTY PERIOD
- 7) THE USER IS CAUTIONED THAT CHANGES OR MODIFICATIONS NOT EXPRESSLY APPROVED BY THE MANUFACTURER OF THE PRODUCT COULD VOID THE USER'S AUTHORITY TO OPERATE THE PRODUCT.

## **WARRANTY – cont.**

THE WARRANTIES PROVIDED HEREIN ARE THE EXCLUSIVE WARRANTIES GIVEN BY MYE ENTERTAINMENT AND SUPERSEDE ANY PRIOR, CONTRARY OR ADDITIONAL REPRESENTATIONS, WHETHER ORAL OR WRITTEN. ANY IMPLIED WARRANTIES, INCLUDING THE WARRANTY OF MERCHANTABILITY OR FITNESS FOR A PARTICULAR PURPOSE THAT APPLY TO ANY PARTS DESCRIBED ABOVE ARE LIMITED IN DURATION TO THE PERIODS OF EXPRESS WARRANTIES GIVEN ABOVE FOR THOSE SAME PARTS. MYE HEREBY DISCLAIMS AND EXCLUDES THOSE WARRANTIES THEREAFTER. SOME STATES DO NOT ALLOW LIMITATIONS ON HOW LONG AN IMPLIED WARRANTY LASTS, SO THE ABOVE LIMITATION MAY NOT APPLY TO YOU. MYE ENTERTAINMENT ALSO HEREBY DISCLAIMS AND EXCLUDES ALL OTHER OBLIGATIONS OR LIABILITIES, EXPRESS OR IMPLIED, ARISING BY LAW OR OTHERWISE, WITH RESPECT TO ANY NONCONFORMANCE OR DEFECT IN ANY PRODUCT, INCLUDING BUT NOT LIMITED TO: (A) ANY OBLIGATION, LIABILITY, RIGHT, CLAIM OR REMEDY IN TORT, WHETHER OR NOT ARISING FROM THE NEGLIGENCE OF MYE OR ITS SUPPLIERS (WHETHER ACTIVE, PASSIVE OR IMPUTED); AND (B) ANY OBLIGATION, LIABILITY, RIGHT, CLAIM OR REMEDY FOR LOSS OF OR DAMAGE TO ANY PRODUCT. THIS DISCLAIMER AND RELEASE SHALL APPLY EVEN IF THE EXPRESSED WARRANTY SET FORTH ABOVE FAILS OF ITS ESSENTIAL PURPOSE.

FOR ANY PRODUCT DESCRIBED ABOVE THAT FAILS TO CONFORM TO ITS WARRANTY, MYE ENTERTAINMENT WILL PROVIDE, AT THEIR OPTION ONE OF THE FOLLOWING: 1) REPAIR, 2) REPLACEMENT OR 3) REFUND OF THE PURCHASE PRICE.

MYE AND/OR ITS SUPPLIERS SHALL HAVE NO OBLIGATION OR LIABILITY, WHETHER ARISING IN CONTRACT (INCLUDING WARRANTY), TORT (INCLUDING ACTIVE, PASSIVE, OR IMPUTED NEGLIGENCE AND STRICT LIABILITY), OR OTHERWISE, FOR DAMAGE TO THE PRODUCT, PROPERTY DAMAGE, LOSS OF USE, REVENUE OR PROFIT, COST OF CAPITAL, COST OF SUBSTITUTE PRODUCT, ADDITIONAL COSTS INCURRED BY BUYER (BY WAY OF CORRECTION OR OTHERWISE) OR ANY OTHER INCIDENTAL, SPECIAL, INDIRECT, OR CONSEQUENTIAL DAMAGES, WHETHER RESULTING FROM NON-DELIVERY OR FROM THE USE, MISUSE OR INABILITY TO USE THE PRODUCT. THIS EXCLUSION APPLIES EVEN IF THE ABOVE WARRANTY FAILS OF ITS ESSENTIAL PURPOSES AND REGARDLESS OF WHETHER SUCH DAMAGES ARE SOUGHT FOR BREACH OF WARRANTY, BREACH OF CONTRACT, NEGLIGENCE OR STRICT LIABILITY IN TORT OR UNDER ANY OTHER LEGAL THEORY.

SOME STATES DO NOT ALLOW THE EXCLUSION OR LIMITATION OF INCIDENTAL OR CONSEQUENTIAL DAMAGES SO THE ABOVE LIMITATION MAY NOT APPLY TO YOU.

THIS WARRANTY GIVES SPECIFIC LEGAL RIGHTS. YOU MAY ALSO HAVE OTHER RIGHTS WHICH VARY FROM STATE TO STATE.



MYE Entertainment, LLC  
25129 The Old Road  
Suite 305  
Stevenson Ranch, Ca. 91381  
1-661-964-0217

[www.myclubtv.com](http://www.myclubtv.com)