



**Cybex Personal Entertainment Monitor**

**Model CP-20665**

**Owner's Manual**

Cardiovascular Systems

Part Number LT-20191 Rev H





**Cybex Personal Entertainment Monitor**

**Model CP-20665**

**Owner's Manual**

Cardiovascular Systems

Part Number LT-20191 Rev H

Cybex® and the Cybex logo are registered trademarks of Cybex International, Inc.

**DISCLAIMER:** Cybex International, Inc. makes no representations or warranties regarding the contents of this manual. We reserve the right to revise this document at any time or to make changes to the product described within it without notice or obligation to notify any person of such revisions or changes.

© 2008, Cybex International, Inc. All rights reserved.

10 Trotter Drive Medway, MA 02053 • 888-462-9239 • 508-533-4300 • FAX 508-533-5183

www.cybexinternational.com • techhelp@cybexintl.com • techpubs@cybexintl.com • LT-20191 • Rev H • January 2008



# Table of Contents

## Front Pages

Table of Contents .....	i
-------------------------	---

## 1 Safety

Safety Notice Items .....	1-1
Important Safety Instructions .....	1-2

## 2 Technical Specifications

Specifications .....	2-1
----------------------	-----

## 3 Operation

Remote Control .....	3-1
Installing the Remote Control Batteries .....	3-1
Using the Remote Control .....	3-1
Using the Television .....	3-2
Changing Channels .....	3-2
Volume Adjustment .....	3-3
Sound Settings Adjustment .....	3-3
Image Settings Adjustment .....	3-4

## 4 Preventative Maintenance

Cleaning .....	4-1
Storage or Long Non Use Periods .....	4-1
Pixels .....	4-1
Maintenance .....	4-1

## 5 Set Up and Assembly

Unpacking the Monitor .....	5-1
Install Monitor .....	5-2
Menu Structure .....	5-3
Set up Monitor for First Time Use .....	5-3
Set On Screen Display Language .....	5-4
Set Sound Channel .....	5-4
Set AUTO SEARCH .....	5-5
Set MANUAL SEARCH .....	5-5
Set AUTO FINE .....	5-6
Set Video NOISE REDUCE .....	5-6
Set Maximum Volume Level .....	5-6
Additional Monitor Settings .....	5-7
Set FINE TUNE .....	5-7
Set Channel Skip .....	5-7
SWAP Channels .....	5-8
Restore Factory Settings .....	5-8

## 6 Customer Service

Contacting Service .....	6-1
Serial Number .....	6-1
Troubleshooting .....	6-2



# 1-1 – Safety Notice Items

## IMPORTANT INFORMATION

**WARNING:** TO REDUCE THE RISK OF FIRE OR ELECTRIC SHOCK, DO NOT EXPOSE THIS PRODUCT TO RAIN OR MOISTURE.



### CAUTION

RISK OF ELECTRIC SHOCK  
DO NOT OPEN



CAUTION: TO REDUCE THE RISK OF ELECTRIC SHOCK, DO NOT REMOVE THE COVER.  
NO USER SERVICEABLE PARTS INSIDE.  
REFER SERVICING TO QUALIFIED SERVICE PERSONNEL



The lightning flash with arrowhead symbol within an equilateral triangle, is intended to alert the user to the presence of uninsulated “dangerous voltage” within the product’s enclosure that may be of sufficient magnitude to constitute a risk of electric shock to persons.



The exclamation point within an equilateral triangle is intended to alert the user to the presence of important operating and maintenance (servicing) instructions in the literature accompanying the product.



**WARNING:** The appliance should be connected to a mains socket outlet with a protective earthing connection.



**WARNING:** The mains plug or appliance coupler is used as the disconnection device, the disconnection device shall be remain readily operable.



**WARNING:** To prevent injury, this apparatus must be securely attached to the mounting bracket in accordance with the installation instructions.

# 1-2 – IMPORTANT SAFETY INSTRUCTIONS



Electricity is used to perform many useful functions, but it can also cause personal injuries and property damage if improperly handled. This product has been engineered and manufactured with safety being the highest priority. However, improper use can result in personal injury and / or property damage.

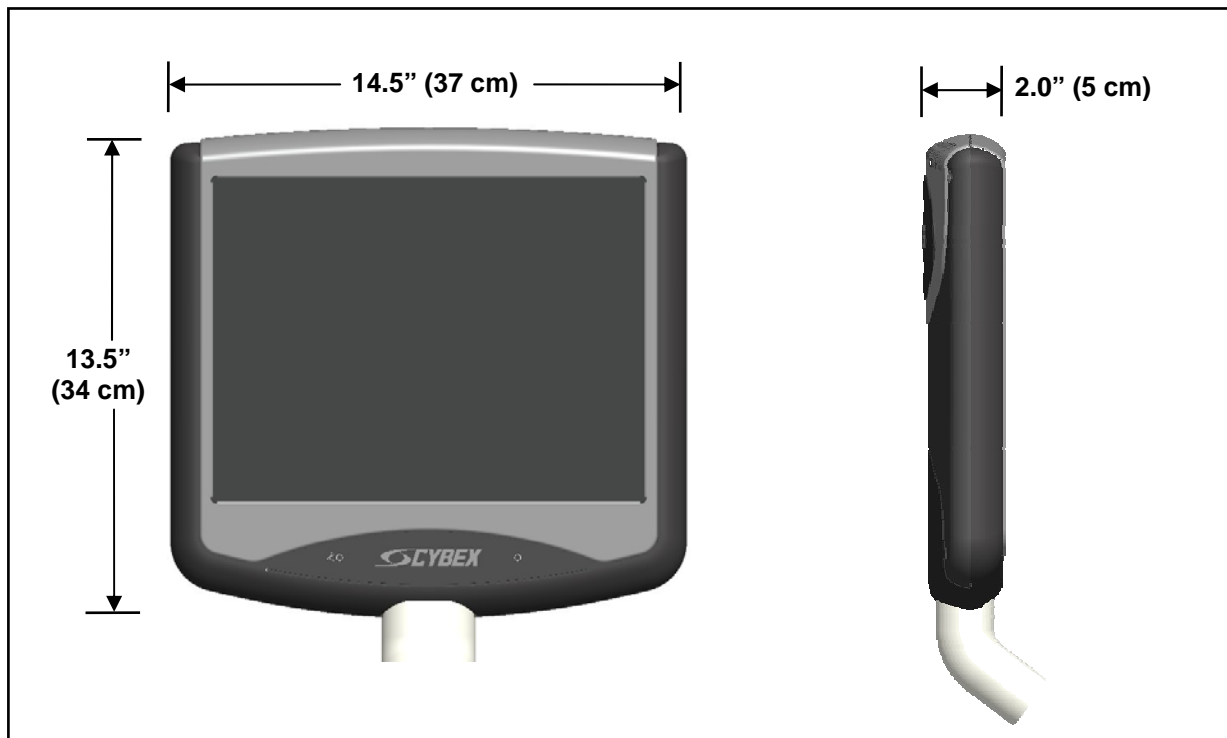
- Read these instructions.
- Keep these instructions.
- Heed all warnings.
- Follow all instructions.
- Do not use this apparatus near water.
- As needed, dust off the panel with a soft dry cloth. The screen can be cleaned with computer screen wipes or other non abrasive, moist, disposable wipes, such as “Gym Wipes”.
- Do not block any ventilation openings. Install in accordance with the manufacturer’s instructions.
- Do not install near any heat sources such as radiators, heat registers, stoves, or other apparatus (including amplifiers) that produce heat.
- No naked flame sources, such as lighted candles, should be placed on the apparatus.
- Do not expose batteries to excessive heat sources.
- Do not defeat the safety purpose of the polarized or grounding-type plug. A polarized plug has two blades with one wider than the other. A grounding type plug has two blades and a third grounding prong. The wide blade or the third prong are provided for your safety. If the provided plug does not fit into your outlet, consult an electrician for replacement of the obsolete outlet.
- Protect the power cord from being walked on or pinched particularly at plugs, convenience receptacles, and the point where they exit from the apparatus.
- Only use attachments/accessories specified by the manufacturer.
- Use only with the cart, stand, tripod, bracket, or table specified by the manufacturer or sold with the apparatus. When a cart is used, use caution when moving the cart/apparatus combination to avoid injury from tip-over.
- Use only with the mounting bracket specified by the manufacturer or sold with the apparatus.
- Ensure the apparatus is securely mounted on the Mounting Bracket.
- Unplug this apparatus during lightning storms or when unused for long periods of time.
- Refer all servicing to qualified service personnel. Servicing is required when the apparatus has been damaged in any way, such as power-supply cord or plug is damaged, liquid has been spilled or objects have fallen into the apparatus, the apparatus has been exposed to rain or moisture, does not operate normally, or has been dropped.
- Do not expose this apparatus to dripping or splashing and ensure that no objects filled with liquids, such as vases, are placed on the apparatus.
- To completely disconnect this apparatus from the AC Mains, disconnect the power supply cord plug from the AC receptacle.
- The mains plug of the power supply cord shall remain readily operable.
- Overloading – Do not overload the AC outlets or extension cords.
- Replacement Parts – In case the product needs replacement parts, make sure that the service person uses replacement parts specified by the manufacturer.
- Safety Check – Upon completion of service or repair work, request the service technician to perform safety check to ensure that the apparatus is in proper operating condition.
- Consult your dealer if you are ever in doubt about the installation, operation or safety of this monitor.



# 2 – Technical Specifications

## Specifications

Screen Type:	TFT-LCD.
Screen Size:	15" (38 cm) (diagonal) 4:3 format.
Width:	14.5" (37 cm).
Height:	13.5" (34 cm).
Depth:	2.0" (5 cm).
Weight of Product:	7.9 lbs. (3.6 kg).
Shipping Weight:	9.25 lbs. (4.2 kg).
Console Features:	Power/Standby status LED, Power/Standby button.
Power Supply:	Manufacturer: HuiZhou SanHua Industrial Co., Ltd Model SAWA-02-598 Input - 110v - 240V, 50-60 Hz  AC. Output - 12 V  6 A DC, 72 Watts.
Power consumption:	48 watts
Monitor Broadcasting:	SECAM and PAL.
Receiving channels:	41 mhz to 868 mhz.
Number of Preset Channels:	200.
Channel Indicator:	On screen display.
RF Cable input impedance:	75 ohms.
Signal Level Required:	80dB/uV (+20 dB/mV).
Audio Output:	Earphone Connection from RJ-45 Connector.
RJ-45 Connector:	Max Loading 10 VDC, 15 mA



***This page intentionally left blank***

# 3 – Operation

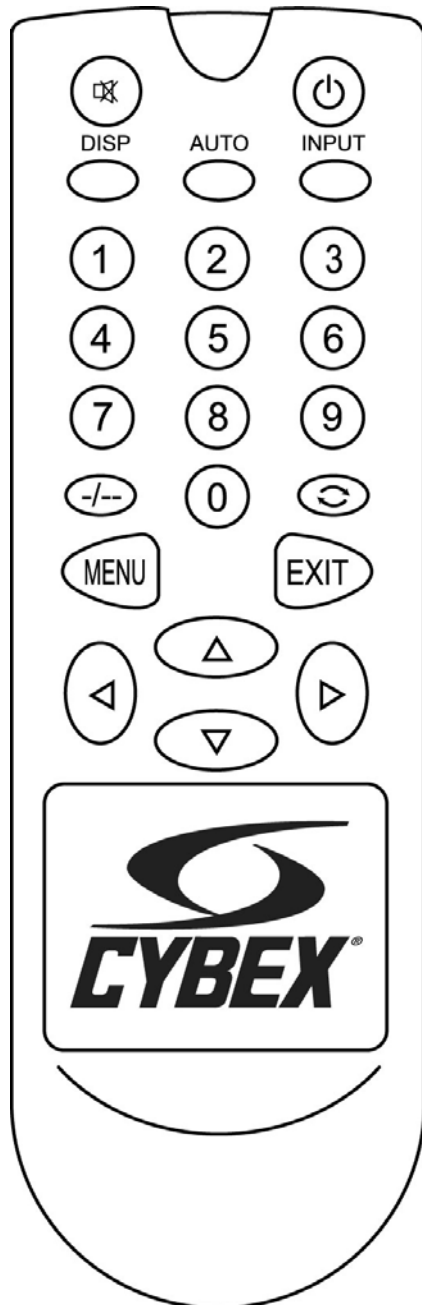
## REMOTE CONTROL

### Installing the Remote Control Batteries

Remove the battery cover from the remote control and install 2 x AAA size batteries (provided) inside the compartment. The diagram inside the battery compartment shows the correct way to install the batteries.

### Using the Remote Control

To use the remote control, point it towards the sensor located on the front bottom of the monitor. You can operate all functions using the remote control.



**Mute** – Press to toggle audio mute on and off. Press the VOL+ will also switch mute off.



**Power** – Press to toggle the monitor standby mode on and off.



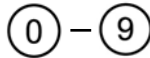
**Disp** – Press to display the source and channel information. Example: "TV 3".



**Auto** – Adjusts the Picture brightness, color and contrast to one of four pre-set configurations. Choices are Mild, Nature, Vivid or User.



**Input** – This button is not used on this monitor.



**Numeric Keypad** – Press 0-9 to directly select a specific channel.



**Multiple Digit Channel Number Key** – Press to enter a multiple digit channel number. Example: Channel 100.



**Return to the Last Channel Key** – Press to return to the last channel viewed.



**MENU** – Press to enter Menu and adjust settings or tuning.



**EXIT** – Press to clear all on-screen displays and return to monitor viewing.



**Arrow Keys** – Press to navigate the on screen menus and adjust the system settings to your preference.

## Using the Television

### Switching On

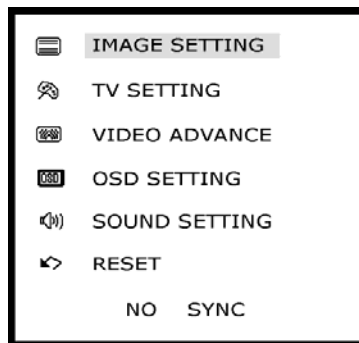
If the monitor has power, the power indicator LED on the front of the monitor will be illuminated RED. Press the **STANDBY** button on the rear of the monitor or the remote control to switch the monitor on. The power indicator LED will change to GREEN. **NOTE:** *When not in use, disconnect the monitor from the power supply.*

**NOTE:** *The monitor will only operate when the fitness equipment is on and in use.*

### Standby

To switch into standby, press the **STANDBY** button on the rear of the monitor or on the remote control. The power indicator light will change from green to red. To switch the monitor out of standby, press the **STANDBY** button on the rear of the monitor or on the remote control. *Do not leave the monitor on standby unattended or overnight.*

**Monitor Main Menu** - when in monitor mode, press the MENU button on the remote control to show the main menu as shown below:



**IMAGE SETTING** – for setting brightness, contrast, color, tint and sharpness of the picture.

**TV SETTING** – for scanning, storing, removing channels and fine tuning channels.

**VIDEO ADVANCE** – for setting the color of the blank screen when there is no reception and picture noise reduction.

**OSD SETTING** – (or On Screen Display setting) for changing menu appearance such as language of menu and position of the menu on the screen.

**SOUND SETTING** – for setting the treble, bass, balance, mute and volume.

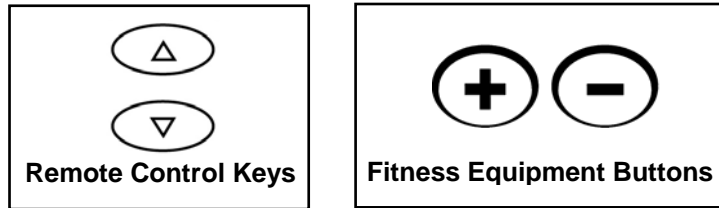
**RESET** – for resetting the unit to the factory settings.

**INPUT SOURCE** – this feature is not applicable to this product.

**NOTE:** *The features contained in these main menu items are described below.*

## Changing Channels

1. To change channels, Press the **UP** and **DOWN** keys on the remote control or use the channel **UP** and **DOWN** buttons on the fitness equipment. See Below. **NOTE:** *You must exit any on-screen menus before changing channels.*



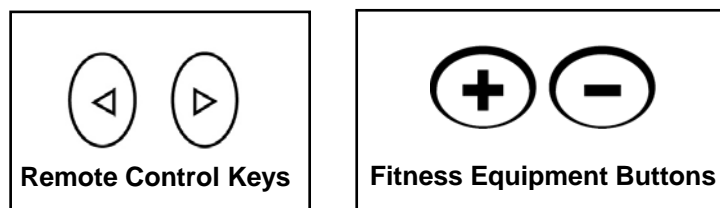
2. Your remote control also has keys **1** through **9** and **0** which can be used to directly select single digit channel selections up to channel **9** without scrolling through every channel to reach your desired channel.
3. For channels 10 through 99 press the **-/-** key once and a "--" symbol will appear on screen indicating the unit is waiting for you to enter a two digit channel number. Select the channel by pressing the numbers. Example: for channel 15 press **1** then **5**.
4. For channels 100 through 199 press the **-/-** key twice and a symbol 1-- will appear on screen, indicating the unit is waiting for you to input the second two digits of the 3-digit channel number.

**NOTE:** *To return from 2-digit or 3-digit channel selection to single digit channel selection you must press the **-/-** button until "-" is displayed in the top left corner of the screen.*

5. To return to the previous channel you were watching press the button with two opposing arrows (above the **EXIT** button) on the remote control.

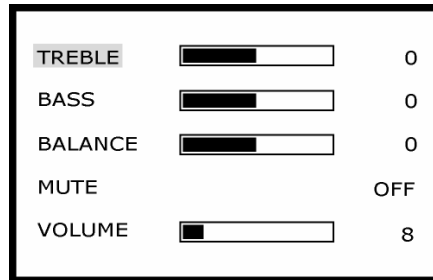
## Volume Adjustment

To change volume, Press the **LEFT** and **RIGHT** keys on the remote control or use the channel **UP** and **DOWN** buttons on the fitness equipment. See Below. **NOTE:** *you must exit any on-screen menus before adjusting volume.*



## Sound Settings Adjustment

There are five selectable settings in the **SOUND SETTING** menu which can be adjusted: treble, bass, balance, mute and volume. Use the procedure below to adjust these settings.



1. Press the **MENU** key to display the *MAIN MENU*.
2. Press the **UP** and **DOWN** arrow keys to highlight *SOUND SETTING* - press **MENU** to select.
3. Press the **UP** and **DOWN** arrow keys to highlight *the setting to be adjusted* - press **MENU** to select.
4. Press the **LEFT** and **RIGHT** arrow keys to adjust the selected setting.
5. Press **EXIT** to select and return to the previous menu.

## Image Settings Adjustment

There are four selectable settings in the **IMAGE SETTING** menu which can be adjusted: brightness, contrast, color and sharpness. Use the procedure below to adjust these settings. **NOTE:** The *TINT* function is not user adjustable.



1. Press the **MENU** to display the *MAIN MENU*.
2. Press the **UP** and **DOWN** arrow keys to highlight *IMAGE SETTING* - press **MENU** to select.
3. Press the **UP** and **DOWN** arrow keys to highlight *the setting to be adjusted* - press **MENU** to select.
4. Press the **LEFT** and **RIGHT** arrow keys to adjust the selected setting.
5. Press **EXIT** to select and return to the previous menu.

# 4 – Preventative Maintenance

## CARING FOR YOUR PRODUCT

### Cleaning

1. Switch off your monitor and unplug it from the wall socket.
2. As needed, dust off the panel with a soft dry cloth. The screen can be cleaned with computer screen wipes or other non abrasive, moist, disposable wipes, such as “Gym Wipes”.

### Storage or Long Non Use Periods

1. When not using your product for an extended period of time it is a good idea to pack it away, ideally in its original carton.
2. The product should be disconnected from the power supply.

### Pixels

1. Very small red, blue, white or green spots appear on the screen. This is a characteristic of liquid crystal display panels and is not a problem. The liquid crystal panel is built with very high precision technology giving you fine picture details. Occasionally a few non-active pixels may appear on the screen as a fixed point. **NOTE:** *This does not affect the performance of your monitor or merit a warranty claim.*

### Maintenance

1. It is very important to check have the unit examined by qualified electrician regularly to ensure the product is fit for use.
2. If unit malfunctions, please refer to a qualified technician for repair or replacement of defective parts immediately. Do not use monitor until repaired.
3. For inspection, installation and servicing, please consult qualified technician.



# 5 – Set Up and Assembly

**NOTE:** The monitor must be installed on a Cybex mounting bracket. See installation instructions that came with your product.

## 1. Read and understand all instructions thoroughly before setting up the monitor.

**NOTE:** Each step number in the assembly instructions tells you what you will be doing. The lettered steps following each step number describe the procedure required. Do not continue with step 2 until you have carefully read all of the assembly instructions.

## 2. Unpack and verify the contents of the boxes.

**A.** Open the cardboard box containing the monitor.

**B.** Check to be sure that the following items are present. Check off each item as you find it. See Figure 1. If any of the parts are missing contact Cybex Customer Service.

Item	Qty	Part Number	Description
<input type="checkbox"/> A	1	CP-19879	Monitor
<input type="checkbox"/> B	1	CP-20215	Remote control
<input type="checkbox"/> C	2	N/A	Batteries, Remote control, AAA size
<input type="checkbox"/> D	4	HS-20213	Screws, Mounting, M4 x 7.9
<input type="checkbox"/> E	4	HW-20212	Washers, Mounting, External Lock, M4
<input type="checkbox"/> F	4	HW-20214	Washers, Mounting, Flat, M4
<input type="checkbox"/> G	1	TR-20203	AC/DC Adapter
<input type="checkbox"/> H	1	AW-19522	Power cord, 115 VAC 60 Hz. (Country specific cords supplied with product).
<input type="checkbox"/> I	1	LT-20191	User's Manual

N/A means Not Applicable

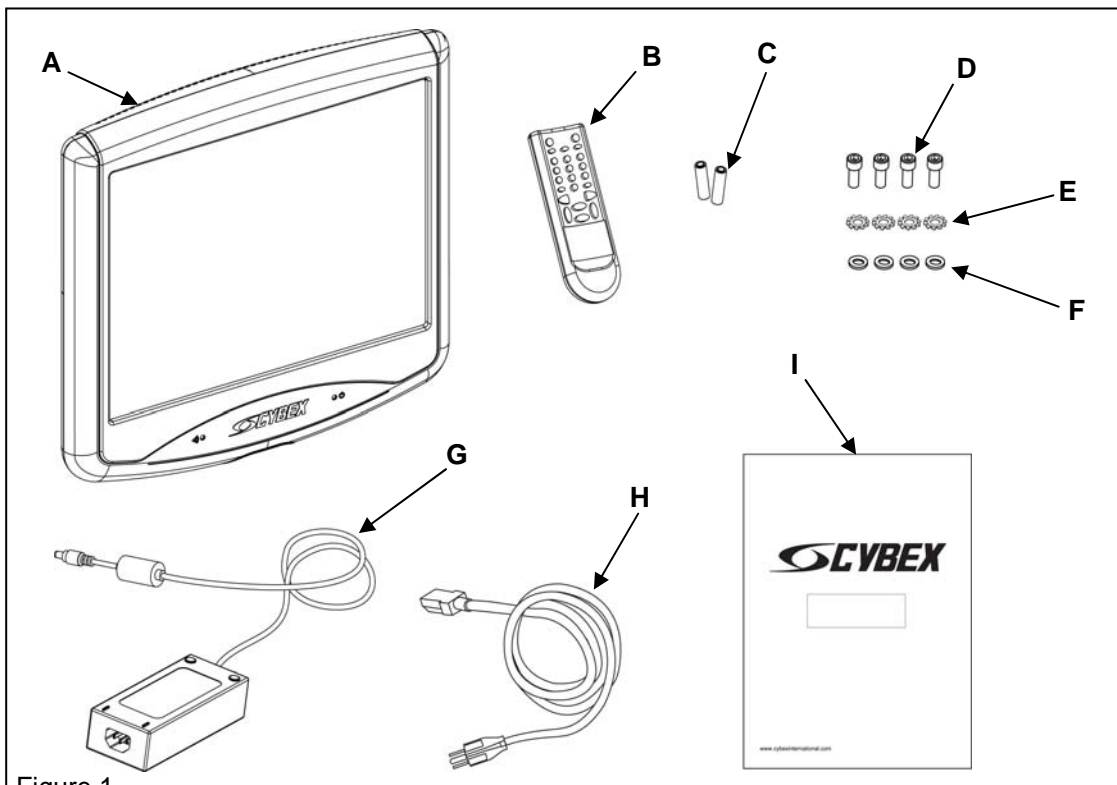


Figure 1

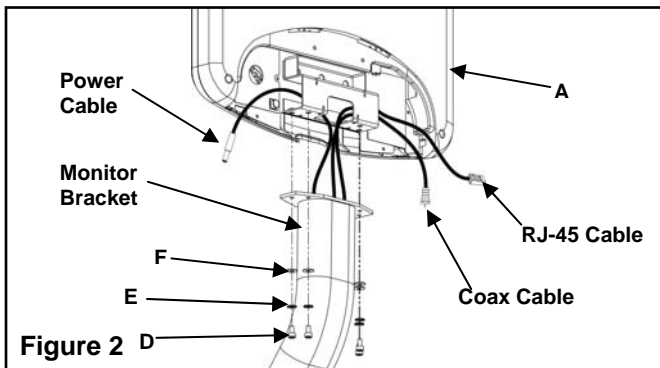
### 3. Install Monitor



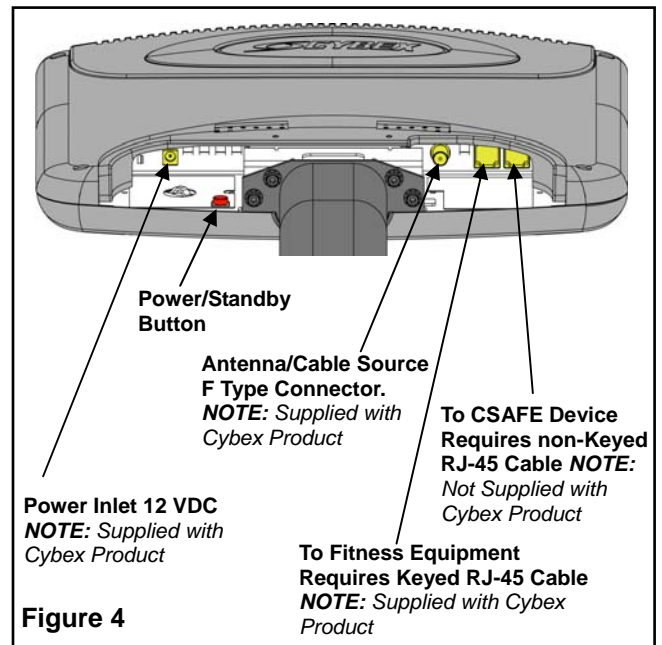
**WARNING:** To prevent injury, this apparatus must be securely attached to the mounting bracket in accordance with these installation instructions.

**NOTE:** The monitor must be installed on a Cybex mounting bracket. See installation instructions that came with your product for detailed installation instructions.

A. Locate monitor (A), four mounting screws (D), four lock washers (E) and four mounting washers (F). See Figure 2.



E. Insert the power cable, coax cable and RJ-45 cable into the monitor as shown in Figure 4. **NOTE:** Use of the CSAFE port is optional and requires a CSAFE cable and device.



B. Remove the back cover to the monitor (A) by pressing the bottom of the cover in and rotating out. See Figure 3.

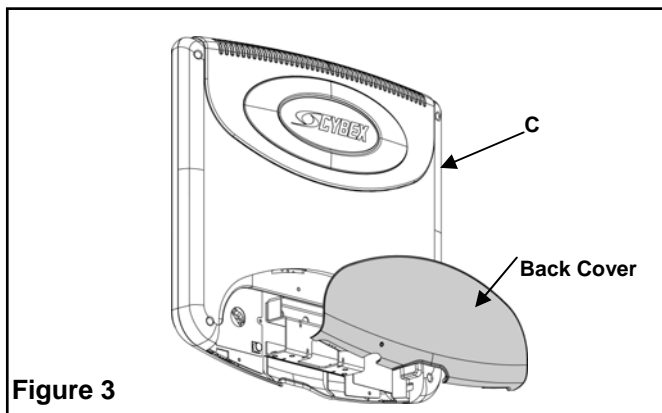


Figure 4

C. While holding the monitor (A) in position, insert the power cable into the left side of the monitor bracket. Insert the RJ-45 cable and coax cable into the right side of the monitor bracket. See Figure 2.

D. Using a 3 mm Allen wrench (supplied with the product) secure the monitor(A) to the monitor bracket using the four mounting screws (D), four lock washers (E) and four mounting washers (F). See Figure 2.

F. Secure the power inlet cable to the monitor plate using the wire tie (supplied with the product). See Figure 5.

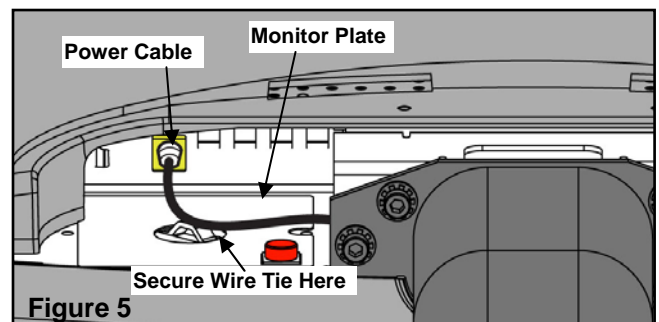


Figure 5

G. Install the back cover to the monitor. See Figure 3.

## MENU STRUCTURE

1. Press the **Power/Standby** button on the monitor to illuminate display. **NOTE:** When set up is complete press the **Power/Standby** button again to turn monitor off.
2. Press the **MENU** key on the remote control to display the main **MENU**.



3. The top four menu options have sub menus, each with a number of options. To enter a sub menu, scroll to and highlight the menu option to be selected using the remote control **UP** and **DOWN** arrow keys. Press the **MENU** key to select and enter the sub menu.
4. Scroll through the sub menu options with the **UP** and **DOWN** arrow keys and press **MENU** to select the desired sub menu option.
5. Use the **LEFT** and **RIGHT** arrow keys on the remote control to adjust the selected sub menu option, and press **EXIT**. Pressing the **EXIT** button confirms your selected setting and returns you to the previous sub menu or **MENU** depending on which **MENU** is currently active.
6. To exit the menu, press the **EXIT** key. Each press of the **EXIT** key will take you back one step in the menu hierarchy. You may need to press the **EXIT** key repeatedly to exit completely.

In summary, using the remote control:

- Enter into **MENU** and sub menu settings with the **MENU** button
- Navigate **MENU** items with the **UP** and **DOWN** arrow keys
- Adjust settings with the **LEFT** and **RIGHT** arrow keys
- Set menu settings and exit from **MENU** using the **EXIT** key

Before use you must first set up your monitor for use. In this section you will set up the following:

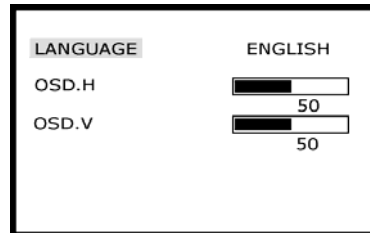
### Set up Monitor for First Time Use

- Set On Screen Display *LANGUAGE* of menus and text.
- Set Sound Channel (sub carrier frequency)
- Set *AUTO SEARCH*
- Set *MANUAL SEARCH*
- Set *AUTO FINE*
- Set Video *NOISE REDUCE*
- Set *Maximum Volume Level*

## Set On Screen Display Language

The *ON SCREEN DISPLAY* language can be set to English, French, German, Spanish or Chinese. Use the following procedure to set the language of preference.

1. Press the **Power/Standby** button on the monitor to illuminate display. **NOTE:** When set up is complete press the **Power/Standby** button again to turn monitor off.
2. Press the **MENU** to display the *MAIN MENU*.

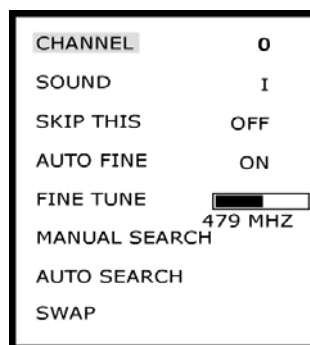


3. Press the **UP** and **DOWN** arrow keys to highlight *OSD SETTING* - press **MENU** to select.
4. Press the **UP** and **DOWN** arrow keys to highlight *LANGUAGE* - press **MENU** to select.
5. Press the **LEFT** and **RIGHT** arrow keys until the preferred language is displayed.
6. Press **EXIT** to select and return to the previous menu.

## Set Sound Channel

Many countries use different sound carrier frequencies but the same broadcast standard. It is essential for the correct sound format setting to be selected and saved to memory for the country of installation prior to tuning the monitor.

1. Press the **MENU** to display the *MAIN MENU*.



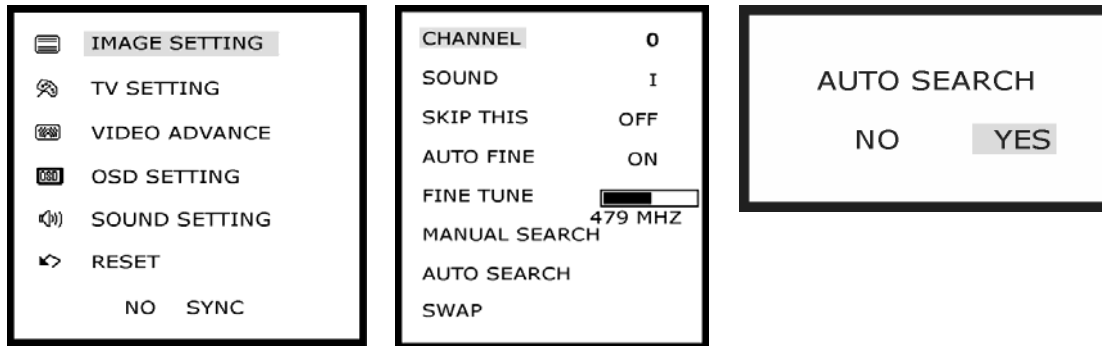
2. Press the **UP** and **DOWN** arrow keys to highlight *TV SETTING* - press **MENU** to select.
3. Press the **UP** and **DOWN** arrow keys to highlight *SOUND* - press **MENU** to select.
4. Press the **LEFT** and **RIGHT** arrow keys to select *I, MN, BG* or *DK*. **NOTE:** For the United States select *MN*.
5. Press **EXIT** to select and return to the previous menu.

For technical specifications on the sound channel for your country visit: [www.cybexinternational.com](http://www.cybexinternational.com)

## Set AUTO SEARCH

The easiest method of tuning your monitor to the Channels available with your Antenna/Cable Source is to use the AUTO SEARCH function. The procedure below will guide you through the AUTO SEARCH function to find and store available Channels.

**NOTE:** You need to set the Sound Channel option in the previous step before proceeding with AUTO SEARCH or MANUAL SEARCH.

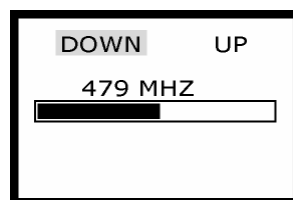


1. Press the **MENU** button to display the *MAIN MENU*.
2. Press the **UP** and **DOWN** arrow keys to highlight *TV SETTING*, press **MENU** to select.
3. Press the **UP** and **DOWN** arrow keys to highlight *AUTO SEARCH*, press **MENU** to select.
4. Press the **LEFT** and **RIGHT** arrow keys to highlight *YES*, press **MENU** to begin *AUTO SEARCH*.
5. Wait while the monitor scans for and stores the television channels into memory.
6. When the **AUTO SEARCH** is finished press *EXIT* to return to the previous menu.

## Set MANUAL SEARCH

To manually search for and store a channel follow the steps below:

1. Press the **MENU** button to display the **MAIN MENU**.



2. Press the **UP** and **DOWN** arrow keys to highlight *TV SETTING* -press **MENU** to select.
3. Press the **UP** and **DOWN** arrow keys to highlight *CHANNEL* -press **MENU** to select.
4. Press the **LEFT** and **RIGHT** arrow keys to select the Channel for Manual Search - press **EXIT** to confirm.
5. Press the **UP** and **DOWN** arrow keys to highlight *MANUAL SEARCH* -press **MENU** to select.
6. Press the **LEFT** and **RIGHT** arrow keys to manually search down or up respectively.
7. When the desired program channel is found press *EXIT* to confirm selection.
8. Press **EXIT** to return to the previous menu.

## Set AUTO FINE

Auto Fine will automatically Fine Tune to ensure best Channel Reception. The procedure below will guide you through setting this feature.

1. Press the **MENU** to display the *MAIN MENU*.
2. Press the **UP** and **DOWN** arrow keys to highlight *TV SETTING* - press **MENU** to select.
3. Press the **UP** and **DOWN** arrow keys to highlight *AUTO FINE* - press **MENU** to select.
4. Press the **LEFT** and **RIGHT** arrow keys to select ON or OFF.
5. Press **EXIT** to select and return to the previous menu.

## Set Video NOISE REDUCE

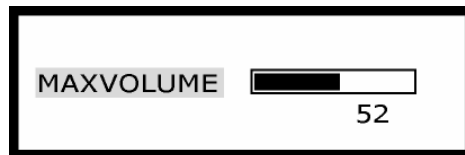
To further improve picture quality use the *NOISE REDUCE* setting in the *VIDEO ADVANCE* menu.

1. Press the **MENU** to display the *MAIN MENU*.
2. Press the **UP** and **DOWN** arrow keys to highlight *VIDEO ADVANCE* - press **MENU** to select.
3. Press the **UP** and **DOWN** arrow keys to highlight *NOISE REDUCE* - press **MENU** to select.
4. Press the **LEFT** and **RIGHT** arrow keys to select *ON* or *OFF*.
5. Press **EXIT** to select and return to the previous menu.

## Set Maximum Volume Level

The monitor has a maximum volume setting which can be adjusted to any setting between 0 and 100. . Use the following procedure to change the maximum volume setting:

1. Press the **EXIT** key followed by the **7** key, **9** key, **0** key and the **6** key.
2. *MAXVOLUME* menu will appear on screen.



3. Press the **MENU** key to highlight the volume bar.
4. Press the **LEFT** and **RIGHT** to adjust the *MAXVOLUME* setting.
5. Press **EXIT** twice to exit the *MAXVOLUME* menu.

This completes the set up procedure for your monitor. The monitor is now ready for use. **NOTE:** Press the **Power/Standby** button on the monitor to turn off. The monitor will turn on when the Fitness Equipment is turned on and in use.

## Additional Monitor Settings

After you set up your monitor you may wish to adjust these additional settings. In this section you will set up the following:

- Set *FINE TUNE*
- Set *Channel Skip*
- SWAP Channel
- Restore Factory Settings

### Set FINE TUNE

A channel can be fine-tuned manually to improve Channel Reception. To fine tune a channel:

1. Select the channel you wish to fine tune.
2. Press the **MENU** to display the *MAIN MENU*.
3. Press the **UP** and **DOWN** arrow keys to highlight *TV SETTING* - press **MENU** to select.
4. Press the **UP** and **DOWN** arrow keys to highlight *FINE TUNE* - press **MENU** to select.
5. Press **MENU** to highlight to frequency bar
6. Press the **LEFT** and **RIGHT** arrow keys to adjust reception manually.
7. When the best reception is achieved press **EXIT** to set.
8. Press **EXIT** to return to the previous menu.

### Set Channel Skip

If the Channel Search process has stored unwanted channels, these can be skipped so not to appear when using the **CHANNEL UP** and **CHANNEL DOWN** keys. To set the channels to be skipped:

1. Select the channel you wish to be skipped.
2. Press the **MENU** to display the *MAIN MENU*.
3. Press the **UP** and **DOWN** arrow keys to highlight *TV SETTING* - press **MENU** to select.
4. Press the **UP** and **DOWN** arrow keys to highlight *SKIP THIS* - press **MENU** to select.
5. Press the **LEFT** and **RIGHT** arrow keys to select *ON* or *OFF*.
6. When the best reception is achieved press **EXIT** to set.
7. Press **EXIT** to return to the previous menu.
8. Press **EXIT** to return to exit the *MAIN MENU*.

**NOTE:** To restore a channel that you have previously Skipped you must research all channels as described above under "AUTO SEARCH".

## SWAP Channels

If you would prefer the channels to be in a certain order, you can swap the channel order using the following procedure.

1. Press the **MENU** to display the *MAIN MENU*.



2. Press the **UP** and **DOWN** arrow keys to highlight *TV SETTING* - press **MENU** to select.
3. Press the **UP** and **DOWN** arrow keys to highlight *SWAP* - press **MENU** to select.
4. Press the **UP** and **DOWN** arrow keys to select the Channel you wish to Swap.

## Restore Factory Settings

Use this setting to restore all settings to factory default.

1. Press the **MENU** to display the *MAIN MENU*.
2. Press the **UP** and **DOWN** arrow keys to highlight *RESET* - press **MENU** to select.

**NOTE:** *This action will not delete stored channel(s) or restore removed channel(s). To do this you must rescan all channels as described above*

# 6 – Customer Service

## Contacting Service

Hours of phone service are Monday through Friday from 8:00 a.m. to 6:00 p.m. Eastern Standard Time.

For Cybex customers living in the USA, contact Cybex Customer Service at **888-462-9239**.

For Cybex customers living outside the USA, contact Cybex Customer Service at **508-533-4300** or fax **508-533-5183**.

Order parts and find information on the web at [www.cybexinternational.com](http://www.cybexinternational.com) or by e-mail at [techhelp@cybexintl.com](mailto:techhelp@cybexintl.com).

## Serial Number

The serial number of this product may be found on the back of the unit underneath the removable cover. No other CP-19879 has the same serial number as yours. You should record the number and other vital information here and retain this manual as a permanent record of your purchase and so you may have it at hand should the need arise to call Cybex Customer Service.

Serial Number \_\_\_\_\_

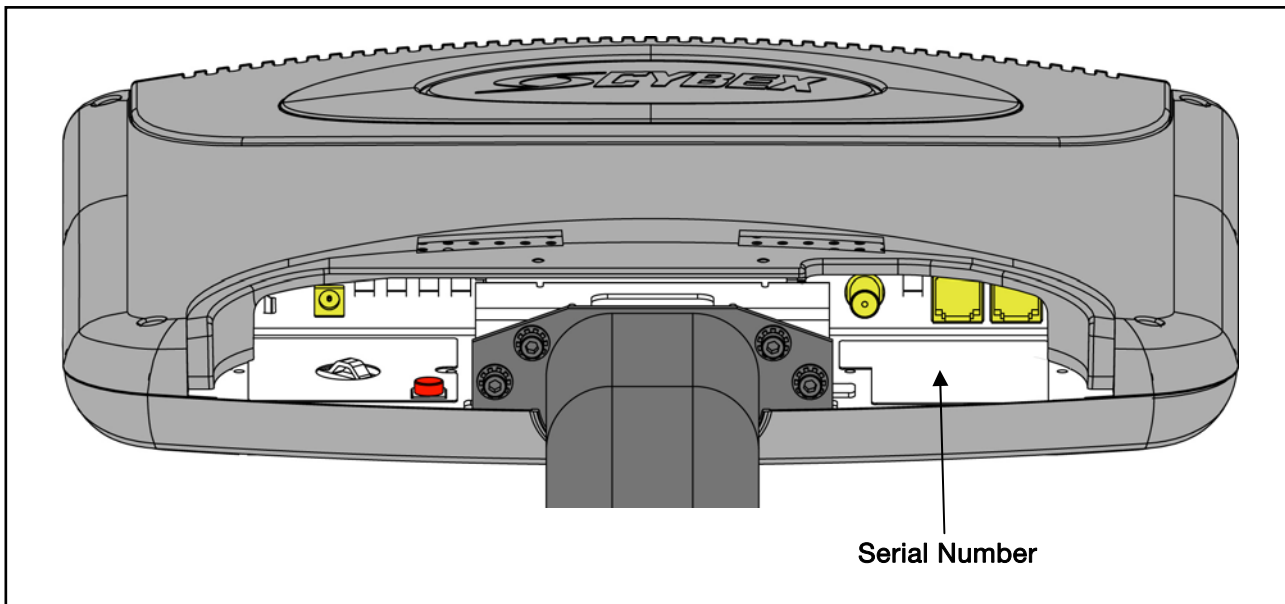


Figure 1

## Troubleshooting

**PLEASE READ AND FOLLOW THE SAFETY INSTRUCTIONS IN CHAPTER 1 OF THIS MANUAL BEFORE ATTEMPTING ANY MAINTENANCE.**

### No Power

- Check to make sure that the AC Plug is properly plugged into the AC socket.
- Check to make sure that the AC Plug is properly plugged into the AC adaptor.
- If the AC Plug has a fuse, check to see if the fuse is blown.
- Check to see if the DC Lead from the Power Adaptor is properly plugged into the screen.
- Check the green LED on the Mains Adaptor is illuminated.
- Repeat the test in an AC Socket that is known to work.

### No Picture and Sound

- Ensure that the monitor is plugged in and that the power is on.
- Ensure that the aerial/cable source is connected.
- Ensure the monitor is tuned in.
- Try a different program.

### Poor Picture Quality

- Check the aerial/cable source connections.
- Check that the channel is tuned properly.
- Adjust the picture settings: brightness, color, sharpness, contrast, hue.
- Make sure that the monitor is not located close to electrical appliances that may emit radio frequency interference.

### No Headphone Sound

- Check the RJ-45 cable from the Fitness Equipment C-Safe Port to the Monitor Fitness Equipment Port is connected.
- Check the RJ-45 cable from the Fitness Equipment C-Safe Port to the Monitor Fitness Equipment Port is not damaged.
- Check that the monitor has power.
- Check the Fitness Equipment Console Internal Audio Cable Assembly is connected.
- Check the Fitness Equipment Console Headphone Jack – This is a wearable part and may need to be replaced.
- Repeat the test with new headphones.

### No Color

- Adjust the color setting.
- Check that the program is broadcast in color.
- Check that the channel is tuned properly.

### Monitor Does not Respond to Remote Control

- Check that there are no obstructions between the remote control and the monitor.
- Check that the remote control is within range of the monitor.
- Check the remote control batteries are inserted correctly
- Replace the remote control batteries.

### Monitor Does not Respond to the Fitness Equipment Media Controls

- Check the RJ-45 cable from the Fitness Equipment C-Safe Port to the Monitor Fitness Equipment Port is connected at both ends.
- Check the RJ-45 cable from the Fitness Equipment C-Safe Port to the Monitor Fitness Equipment Port is not damaged.
- Check the monitor has power.
- Test the controls while the Fitness Equipment is being used – i.e. during a workout session.

### Pixels

- Very small red, blue, white or green spots appear on the screen. This is a characteristic of liquid crystal display panels and is not a problem. The liquid crystal panel is built with very high precision technology giving you fine picture details. Occasionally a few non-active pixels may appear on the screen as a fixed point. **NOTE:** *This does not affect the performance of your monitor or merit a warranty claim.*