

# Apple iPod, iPhone Upgrade Kit 625T

Kit Number KAX-25113

Installation Instructions

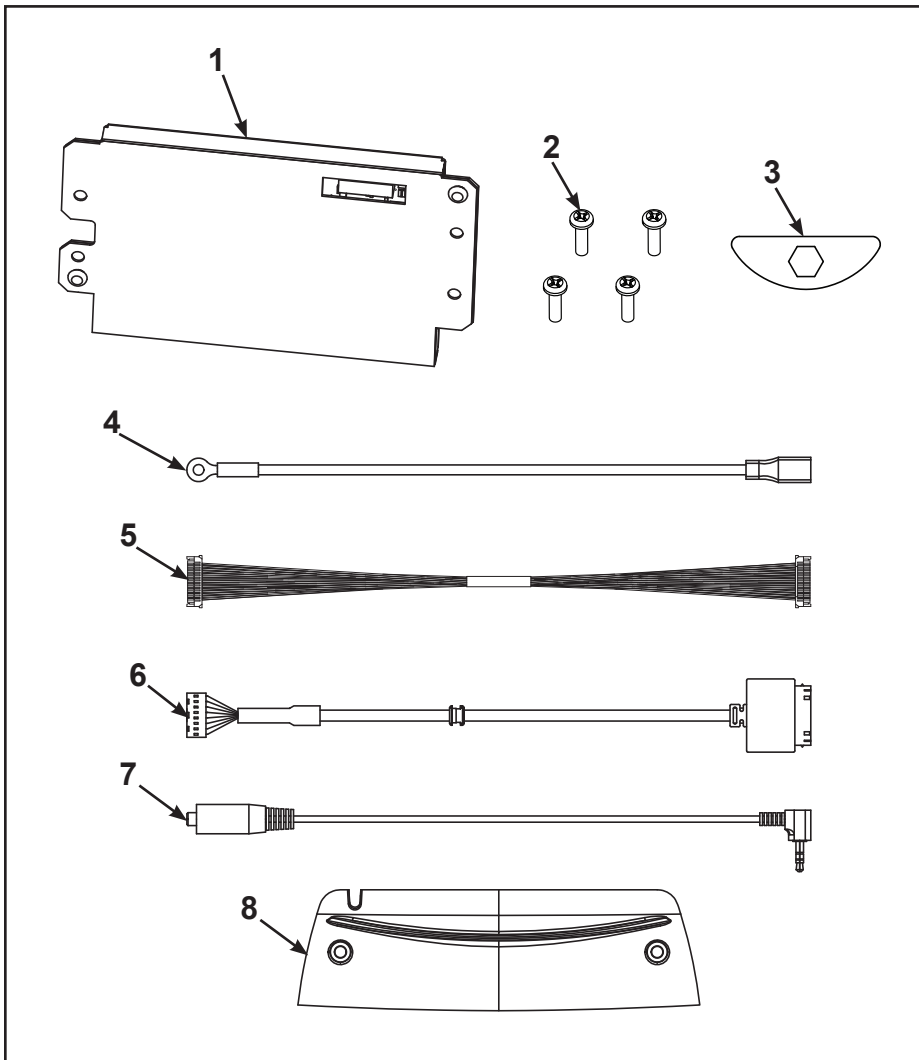
This instruction sheet describes how to install the Apple upgrade kit for Cybex treadmill model 625T.

## Tools Required

- Phillips screwdriver
- Utility knife
- ESD (Electrostatic Discharge) grounding strap

Read and understand all instructions thoroughly before installing this kit.

Verify the kit contents shown.



	Description	Qty.
1	iPod assembly, AX-24137	1
2	Screw, 6-19 x 0.50", HS-18320	4
3	Decal, Headphone jack, DE-22784	1
4	Cable, Ground, AW-22357	1
5	Cable, GFX to MCC, AW-22537	1
6	Cable, iPod, 30 pin, AW-22697	1
7	Cable, Headphone jack, AW-22480	1
8	Cover, iPod access, PL-24244	1

## Disconnect power source

Unplug the power cord from the power outlet.



### **WARNING: Shock and electrocution hazard**

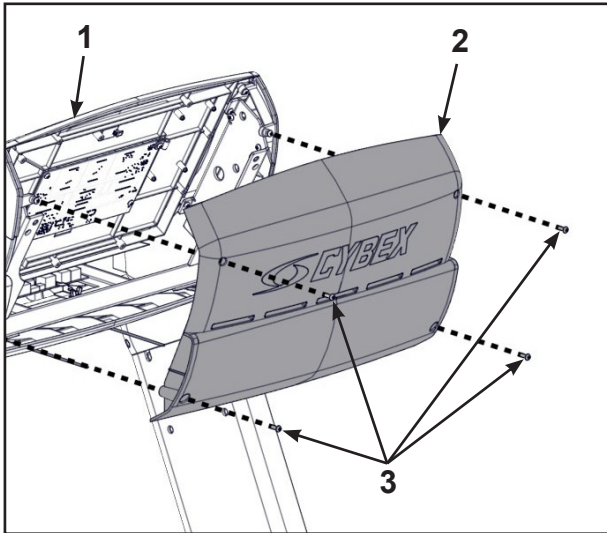
- Unplug unit and let sit 10 minutes before cleaning or performing maintenance
- Electrical charge can remain in unit after unplugging
- Keep water and liquids away from electrical parts

### **NOTICE: Component damage**

Wear an ESD grounding strap during this procedure. Connect ESD grounding strap to frame bolts or unpainted metal of frame. If ESD grounding strap is not available, touch frame bolts or unpainted metal of frame before handling any electronics.

## Remove back cover

Remove the four screws securing the back cover to the console assembly using a Phillips screwdriver.

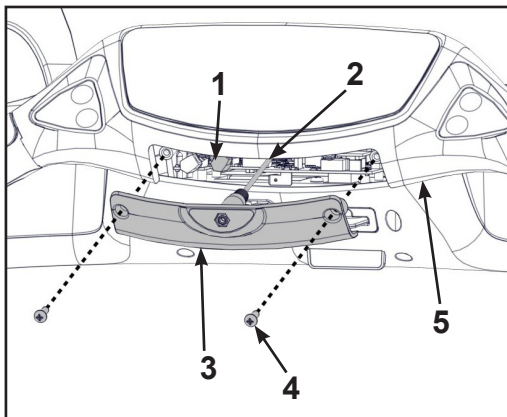


	Description	Qty
1	Console Assembly	1
2	Back Cover	1
3	Screws	4

## Remove access cover

1. Remove the two screws securing the access cover to the handset using a Phillips screwdriver.

A/V models

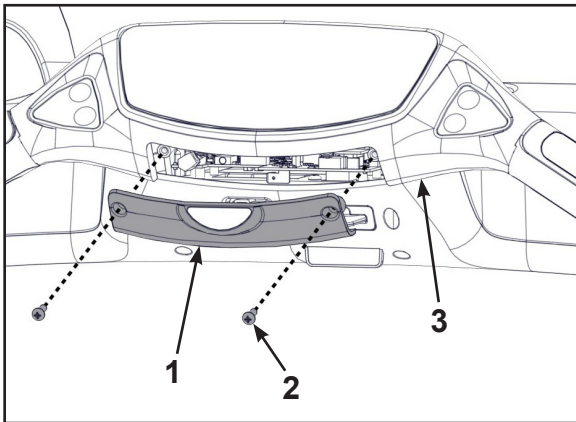


	Description	Qty
1	Connector J6	1
2	Headphone Jack Cable	1
3	Headphone Jack Cover	1
4	Screws	2
5	Handset	1

- Unplug the headphone jack cable carefully from the connector J6 on the MCC board (connector on right). Pull connector straight out, cable uses a 90 degree connector.

Non A/V models

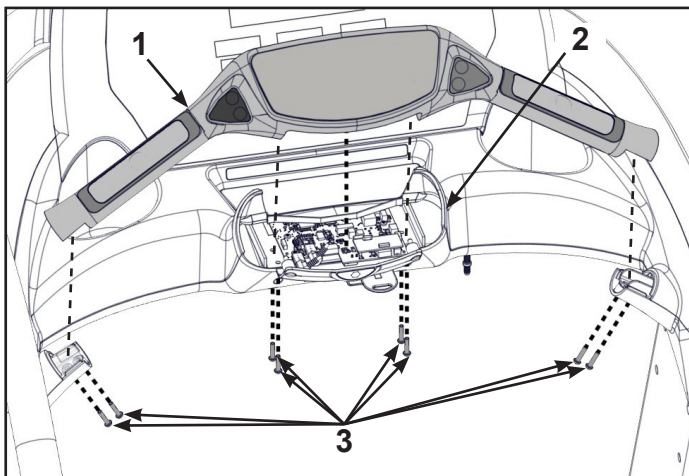
Remove the two screws securing the access cover to the handset using a Phillips screwdriver.



	Description	Qty
1	Access Cover	1
2	Screws	2
3	Handset	1

### Remove handset assembly

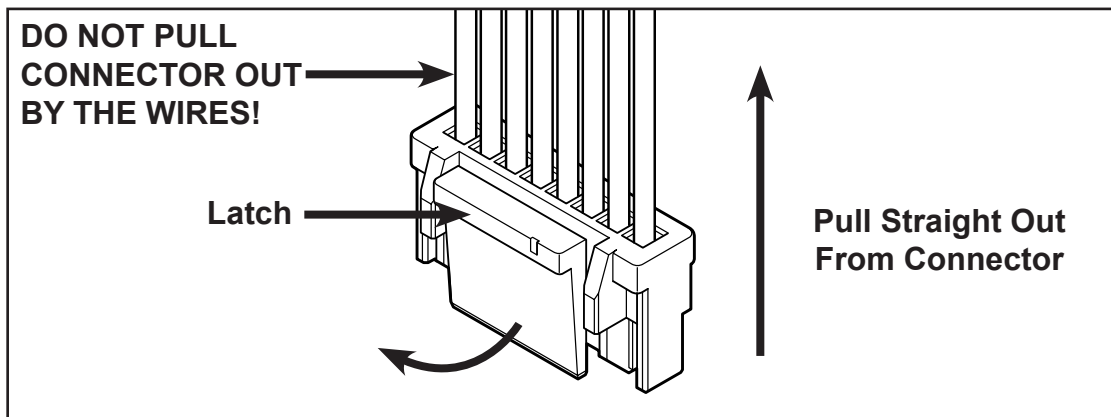
- Remove the eight screws securing the handset to the console using a Phillips screwdriver.



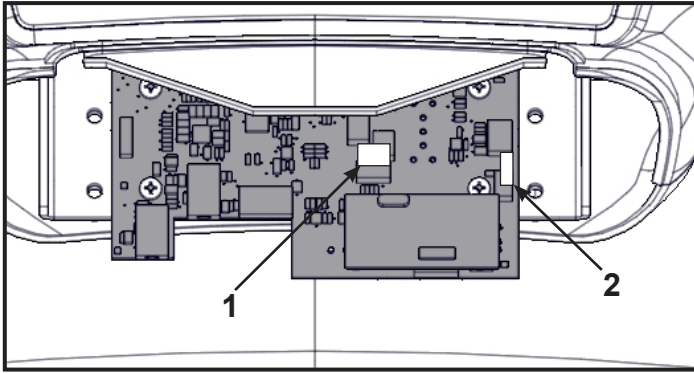
	Description	Qty
1	Handset Assembly	1
2	Console	1
3	Screws	8

Use flashlight to locate cable connectors.

- Unplug cables by pinching latch and make sure it releases connector. Pull connector out.



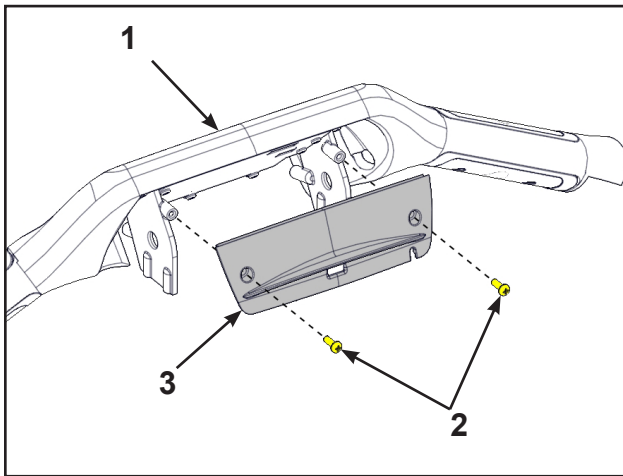
- Lift the handset assembly carefully and unplug the following cables: contact heart rate grips (J7), and handset membrane (J9).



	Description	Qty
1	Handset Membrane (J9)	1
2	Contact Heart Rate Grips (J7)	1

### Install access cover

- Remove the two screws securing the access cover to the handset using a Phillips screwdriver.

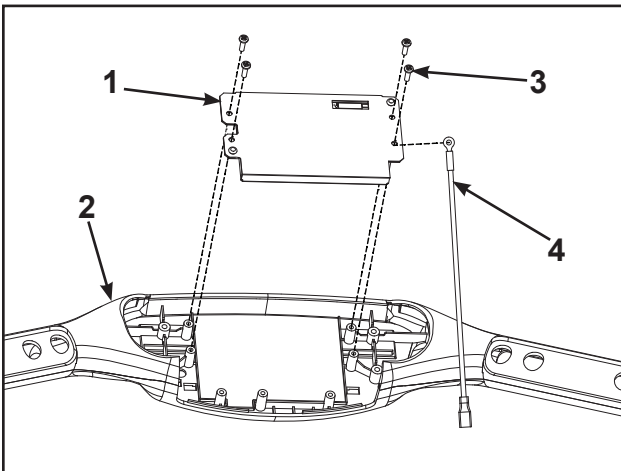


	Description	Qty
1	Handset	1
2	Screw	2
3	Access Cover	1

- Install the two screws securing the new access cover to the handset using a Phillips screwdriver.

### Install iPod board

- Install the iPod board, four screws, and ground wire as shown using a Phillips screwdriver.

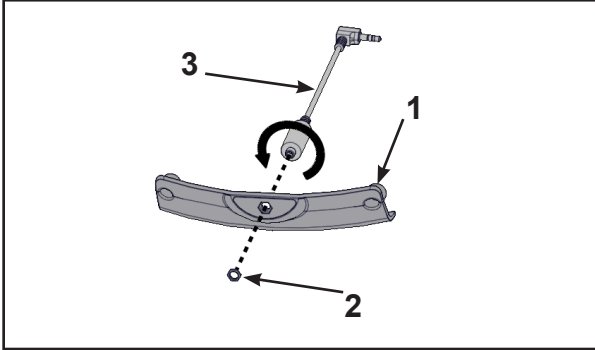


	Description	Qty
1	Handset	1
2	Screws	2
3	Access Cover	1

2. Plug the GFX to MCC cable into the iPod board.

### Install headphone jack cable (non A/V units)

1. Remove the blank decal from the headphone jack cover using a utility knife.
2. Install the headphone jack decal on the headphone jack cover.
3. Install the nut into the front of the headphone jack cover.

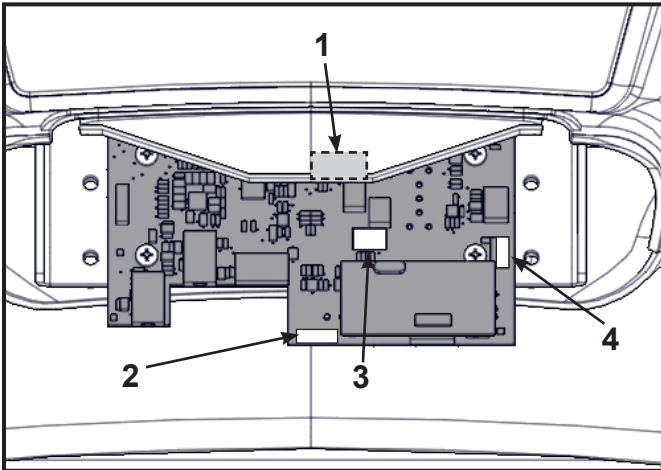


	Description	Qty
1	Headphone Jack Cover	1
2	Nut	1
3	Headphone Jack Cable	1

4. Screw the headphone jack cable into the headphone jack cover and tighten by hand.

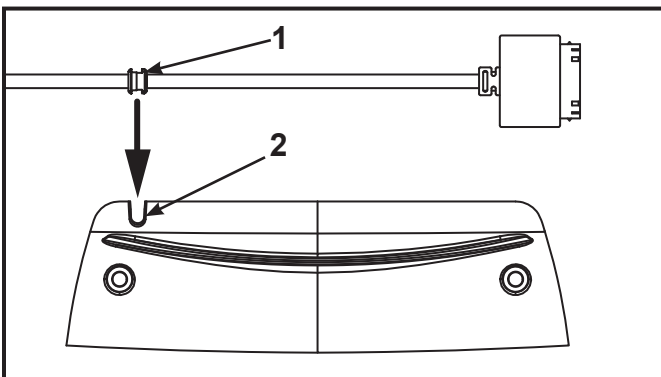
### Install handset assembly

1. Place the handset assembly in position and plug in the following cables: iPod board (J12), ground wire, handset membrane (J9), and contact heart rate grips (J7).



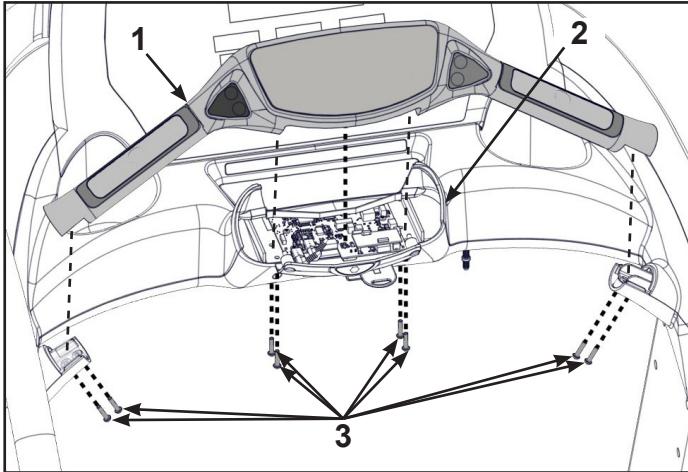
	Description	Qty
1	iPod Board (J12) (under cover)	1
2	Ground wire	1
3	Handset Membrane (J9)	1
4	Contact Heart Rate Grips (J7)	1

2. Insert the strain relief of the iPod cable into the notch in the access cover.



	Description	Qty
1	iPod cable strain relief	1
2	Access cover notch	1

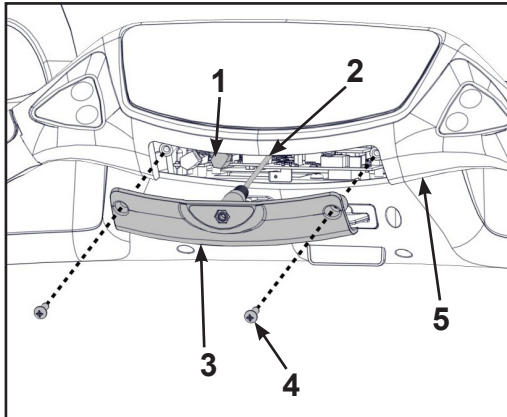
3. Install the eight screws securing the handset assembly to the console using a Phillips screwdriver.



	Description	Qty
1	Handset Assembly	1
2	Console	1
3	Screws	8

### Install handset cover

1. Plug the headphone jack cable into the connector J6.

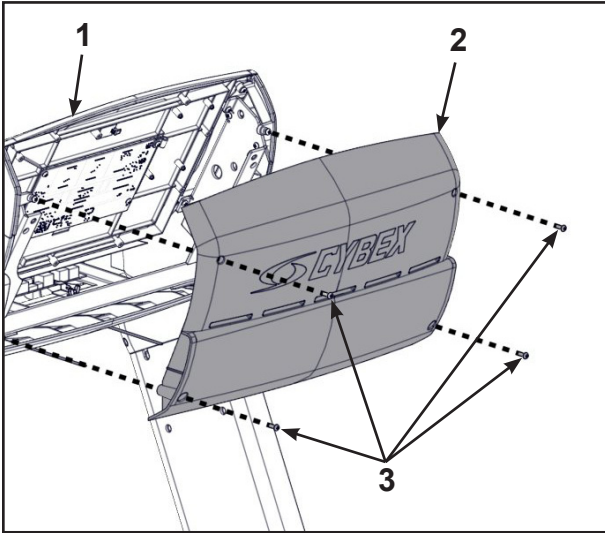


	Description	Qty
1	Connector J6	1
2	Headphone Jack Cable	1
3	Headphone Jack Cover	1
4	Screws	2
5	Handset	1

2. Install the two screws securing the headphone jack cover to the handset cover using a Phillips screwdriver.

## Install back cover

Install the four screws securing the back cover to the console assembly using a Phillips screwdriver.



	Description	Qty
1	Console Assembly	1
2	Back Cover	1
3	Screws	4

## Complete installation

1. Verify the power cord is not being pinched under the front of the treadmill.
2. Plug the power cord into the power outlet.
3. Toggle the power switch on (I).
4. Operate the unit at all levels to verify proper operation.

Cyberx® and the Cyberx logo are registered trademarks of Cyberx International, Inc.  
iPod, iPhone, and iPad are trademarks of Apple Inc., registered in the U.S. and other countries.  
10 Trotter Drive Medway, MA 02053  
508-533-4300 • FAX 508-533-5183 • [www.cyberxintl.com](http://www.cyberxintl.com)  
Copyright © 2014, Cyberx International, Inc. All rights reserved • LT-25115-4 A • July 2014