

Monitor Bracket Kit, 625T/770T/790T


Kit Number KU-24582

Installation Instructions

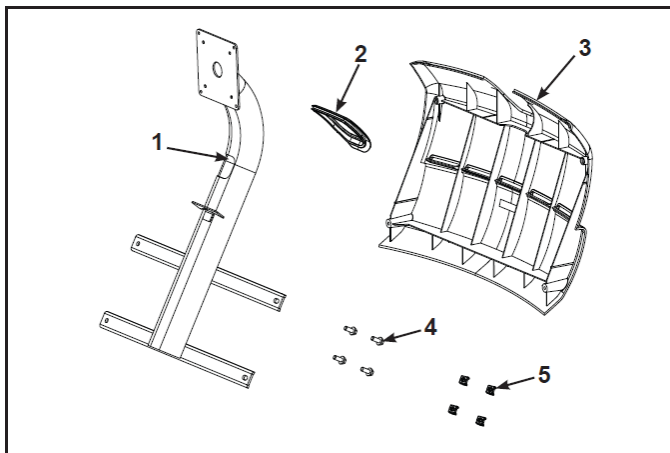
This instruction sheet describes how to install the monitor bracket kit for Cybex treadmill model 625T, 770T or 790T.

Tools Required:

- Phillips screwdriver
- 3/8" Socket wrench
- ESD (Electrostatic Discharge) grounding strap

 Read and understand all instructions thoroughly before installing this kit.

Verify the kit contents shown. Monitor and cables not included.



	Description	Qty.
1	Monitor bracket, AF-24380	1
2	Gasket, PL-23122	1
3	Back cover, PL-23121	1
4	Bolt, HS-12083	4
5	Floating nut, HN-25291	4

Disconnect power source

Unplug the power cord from the power outlet.

⚠ WARNING

Shock and electrocution hazard.

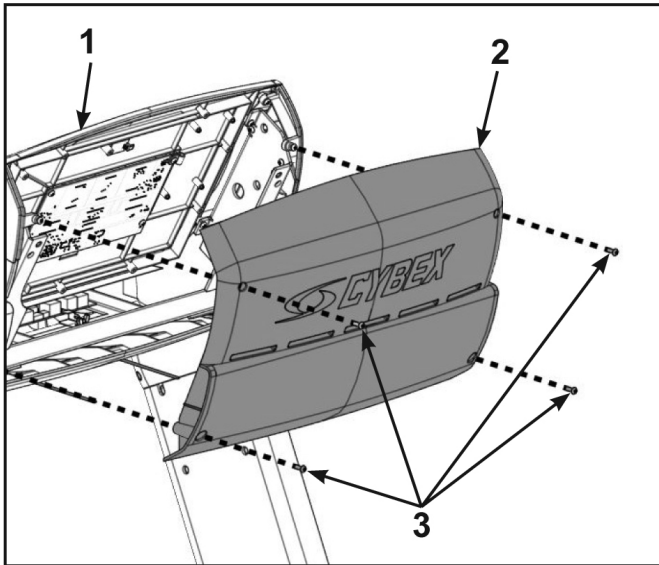
- Unplug unit and let sit 10 minutes before cleaning or performing maintenance.
- Electrical charge can remain in unit after unplugging.
- Keep water and liquids away from electrical parts.

NOTICE

Component damage. Wear an ESD grounding strap during this procedure. Connect ESD grounding strap to frame bolts or unpainted metal of frame. If ESD grounding strap is not available, touch frame bolts or unpainted metal of frame before handling any electronics.

Remove back cover

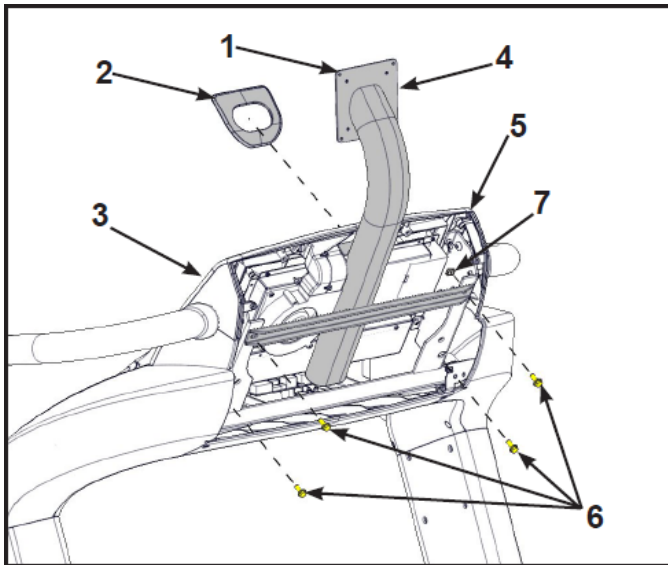
Remove the four screws securing the back cover to the console assembly using a Phillips screwdriver.



	Description	Qty.
1	Console Assembly	1
2	Back Cover	1
3	Screws	4

Install monitor bracket

1. Install the monitor bracket to the console assembly by installing four bolts with a 3/8" socket wrench. If PEM nuts are not located in console assembly, use floating nuts to mount.

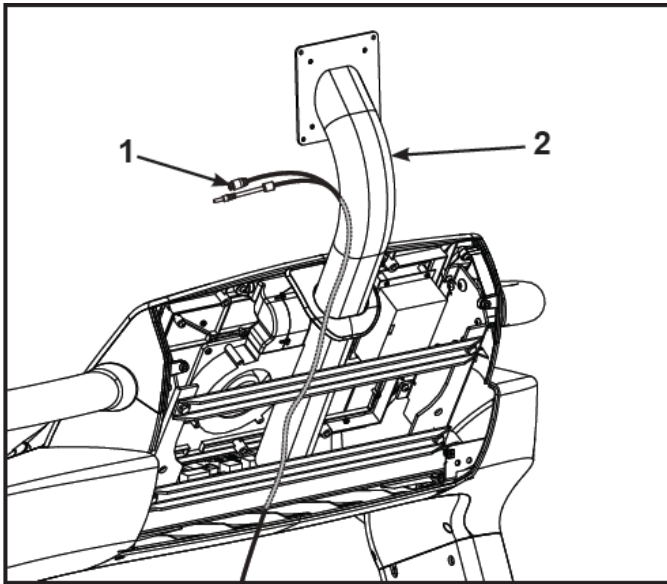


	Description	Qty.
1	Monitor bracket	1
2	Gasket	1
3	Console assembly	1
4	Mounting plate	1
5	Support tube	1
6	Bolts	4
7	Floating nut	4

2. Install the gasket onto the monitor bracket by twisting and stretching it until it is below the mounting plate. Ensure the wider surface is facing up.

Install cables

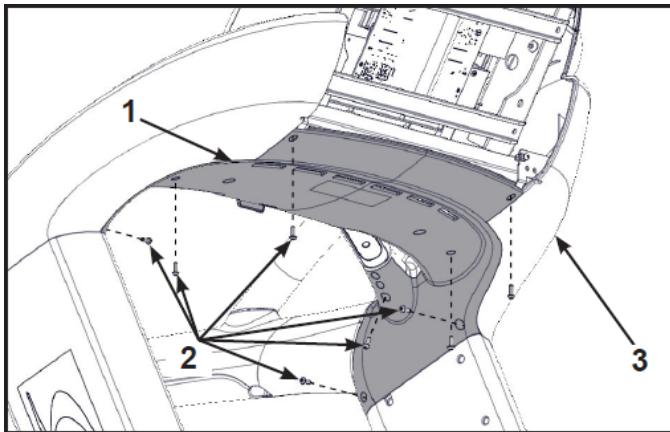
Route the cables supplied with monitor through the monitor bracket to exit the bottom of the bracket.



	Description	Qty.
1	Cables	2
2	Monitor bracket	1

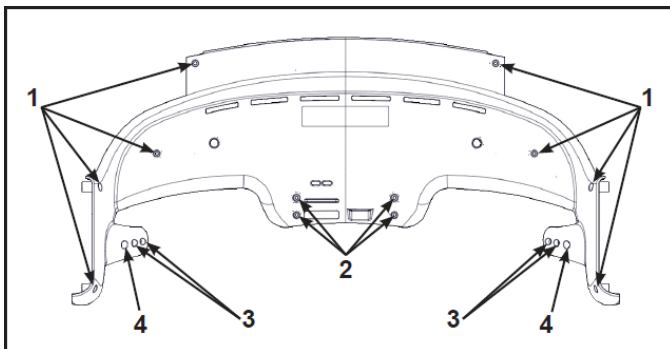
Remove lower console cover

1. Remove the sixteen screws securing the lower console cover to the console using a Phillips screwdriver.



	Description	Qty.
1	Lower console cover	1
2	Screws	16
3	Console	1

Make note of screws and their location.



	Description	Qty.
1	Short screws	8
2	Long screws	4
3	Long sheet metal screws	4
4	Do not remove	2

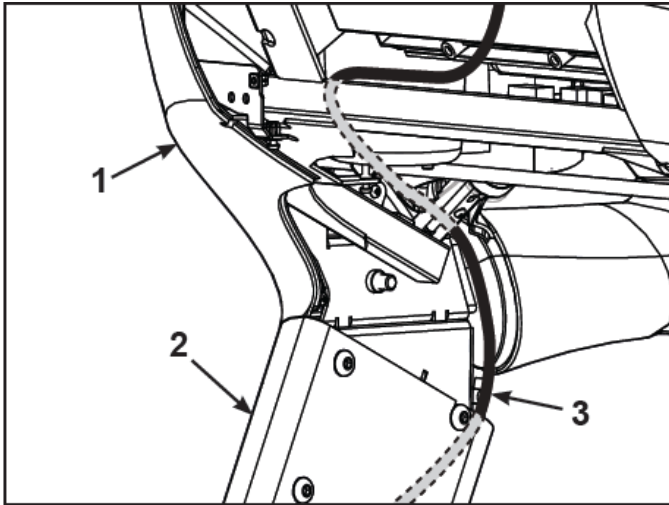
- Remove the lower cover by carefully bending to release from uprights.

NOTICE

Handset or cable damage may occur. Handset will be loose. Do not grab or hold onto handset. Damage to the handset or cables can occur.

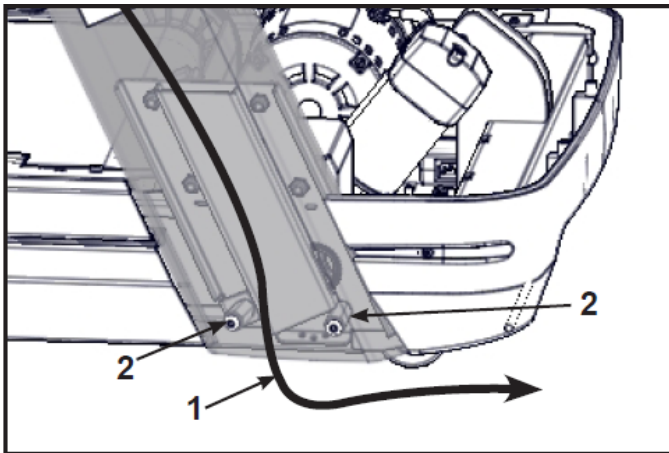
Install cables into upright

- Insert the power and COAX cable, and CAT6 cable into the back of the console until they exit near the top of the right upright.



	Description	Qty.
1	Console	1
2	Upright	1
3	Cables	1

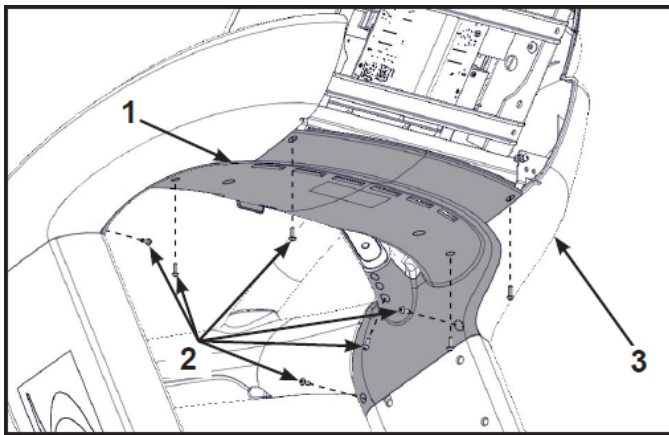
- Feed the cables down through the upright until they exit the bottom.
- Route cables between upright supports and out to the front of unit.



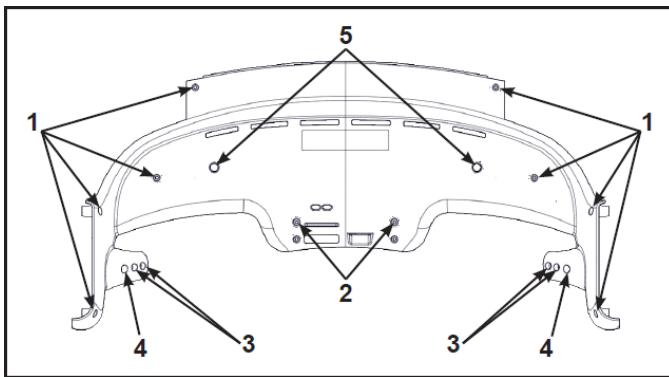
	Description	Qty.
1	Cables	2
2	Upright supports	2

Install lower console cover

Install the sixteen screws securing the lower console cover to the console using a Phillips screwdriver.




	Description	Qty.
1	Lower console cover	1
2	Screws	16
3	Console	1

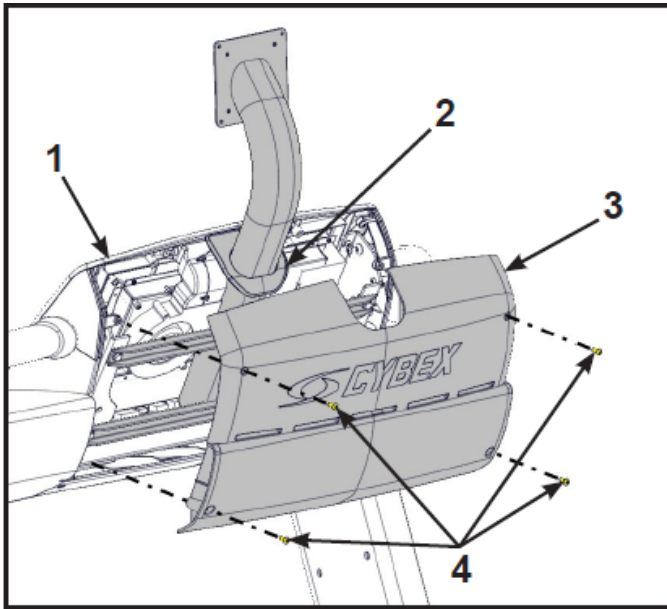


	Description	Qty.
1	Short screws	8
2	Long screws	4
3	Long sheet metal screws	4
4	Do not remove	2
5	Drainage holes	2

Install back cover

Install the four screws securing the back cover to the console assembly using a Phillips screwdriver.

 **Note:** Make sure gasket is properly seated into the back cover.



	Description	Qty.
1	Console assembly	1
2	Gasket	1
3	Back cover	1
4	Screw	4

Complete installation

1. Plug the power cord into the power outlet.
2. Verify the power cord is not being pinched under the front of the treadmill.
3. Operate the unit at all levels to verify proper operation.

Cybox® and the Cybox logo are registered trademarks of Cybox International, Inc.

10 Trotter Drive, Medway, MA 02053 • 508-533-4300 • FAX 508-533-5183

© Copyright 2015, Cybox International, Inc. • www.cyboxintl.com • LT-24881-4 B • October 2015