

Eagle® Arm Curl Adjusting Decal Kit

Product No. 11070K005

Installation Instructions

TOOLS REQUIRED

- 7/32" Allen wrench

1. Read and understand all instructions thoroughly before installing this kit.
2. Verify kit contents. See Figure 1.

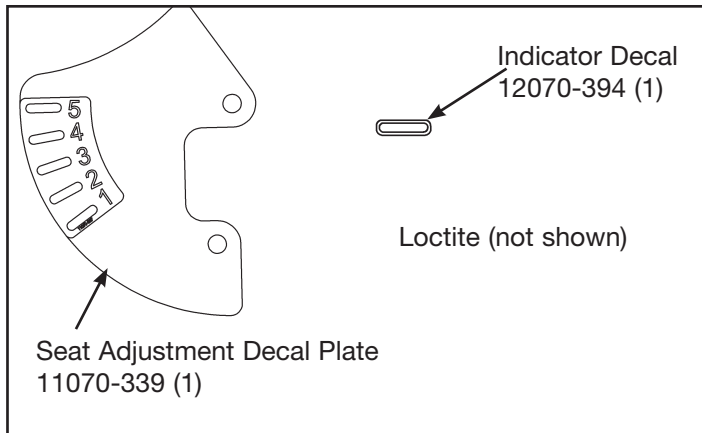


Figure 1

3. Install the new seat adjustment decal plate.

- A. Remove the two BHSCS and washers shown in Figure 2.
- B. Place a drop of loctite into the hole where the BHSCS will be tightened into.
- C. Place a drop of loctite on one of the BHSCS.
- D. Properly position the new seat plate and install the washer and BHSCS. See Figure 2.
- E. Repeat steps 3B and 3D for the other BHSCS. See Figure 2.
- F. Verify both BHSCS are tightened securely.
- G. Test seat adjustment for proper operation.

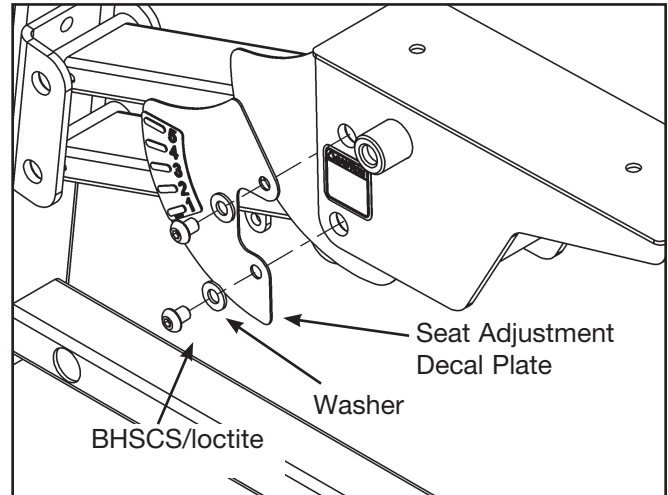


Figure 2

4. Install indicator decal onto linkage bar.

- A. Install the indicator decal onto the linkage bar as shown in Figure 3.
- B. Adjust seat adjustment to each position and verify proper alignment of the indicator decal.

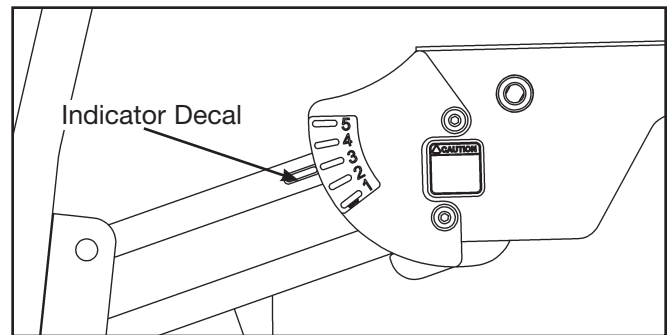


Figure 3



Cybex® and the Cybex logo are registered trademarks of Cybex International, Inc.

Eagle® and its mark are registered trademarks of Cybex International, Inc.

10 Trotter Drive Medway, MA 02053 • 508-533-4300 • FAX 508-533-5183 • www.cybexinternational.com • techhelp@cybexintl.com
techpubs@cybexintl.com • Copyright © 2010, Cybex International, Inc. All rights reserved • 11070-401 A • September 2010