

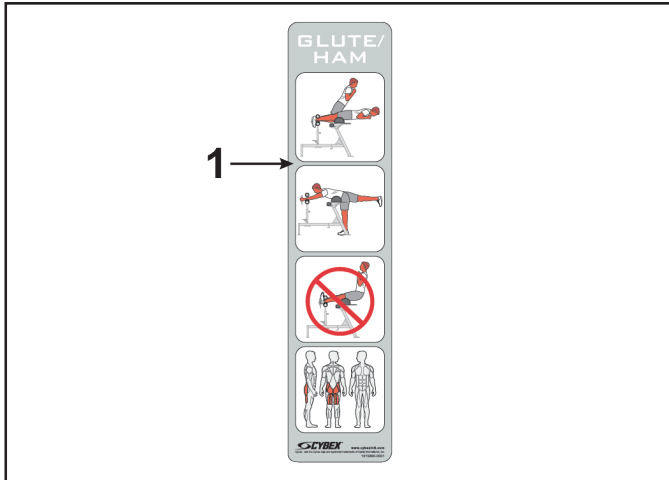
# 19300 Glute/Ham Placard Kit

Kit Number 1010966-0001

This instruction sheet describes how to install the 19300 Glute/Ham Placard.

 **TIP:** Read and understand all instructions thoroughly before installing this kit.

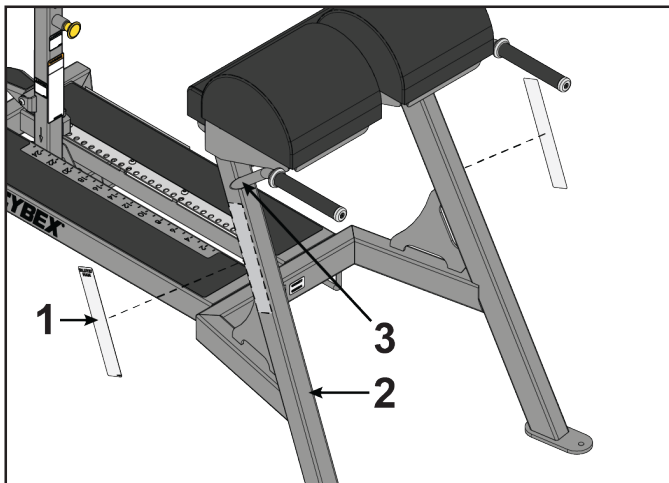
Verify the kit contents shown.



Item	Description	Qty.
1	Placard, Glute/Ham	2

## Install Placards

Remove backing and place placards on the sides of the front frame legs.



Item	Description	Qty.
1	Placard, Glute/Ham	2
2	Frame Leg	2
3	Handle Bar	2

 **NOTE:** Place placards 1.5 inches (3.8 cm) below handle bar.