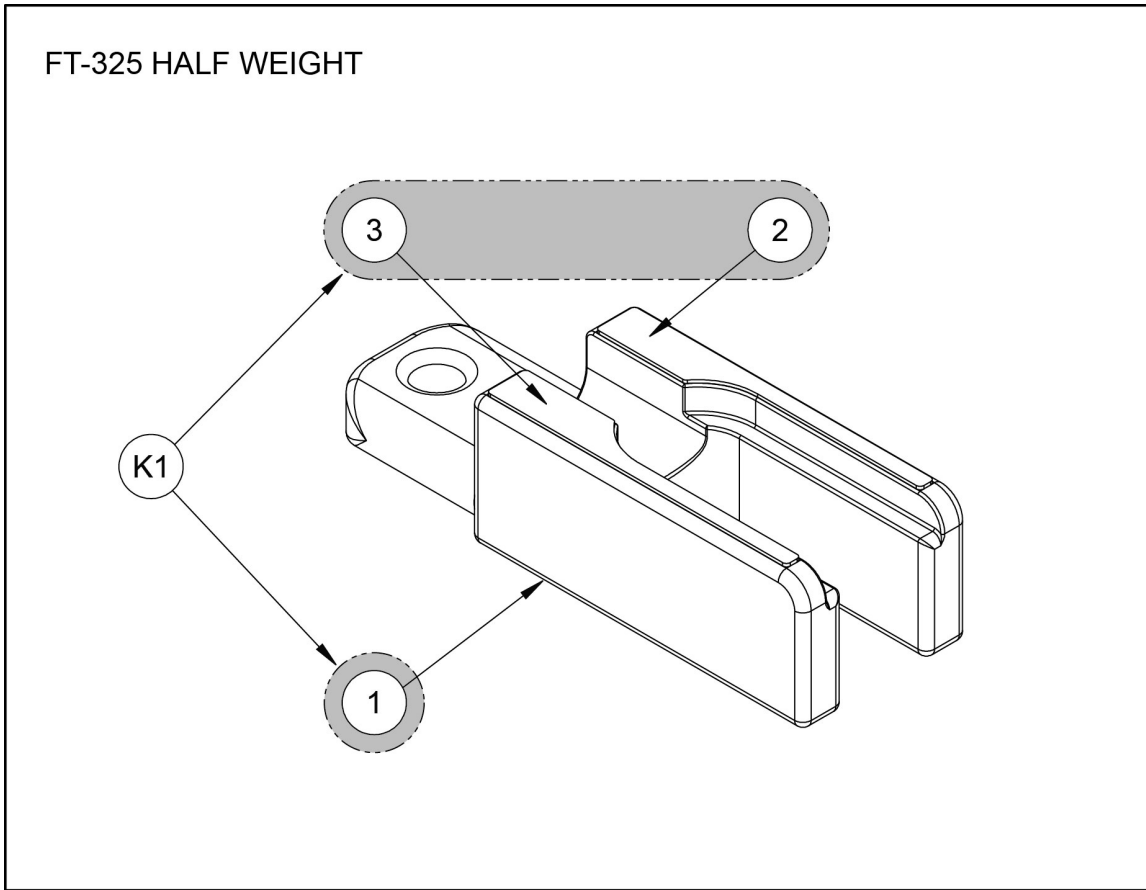


Part Diagrams

Product Line: Accessories
 Product: Strength Accessories
 Assembly Name: Half Weights



Bulb #	Part Number	Name	Description	Notes
1	18000-362	INCREMENT WEIGHT		
2	18000-363	NON-SLIP, LEFT		
3	18000-364	NON-SLIP, RIGHT		
K1	18000-006	INCREMENT WEIGHT		