

Apple iPod, iPhone Upgrade Kit 625CR

Kit Number KAX-25114

Installation Instructions

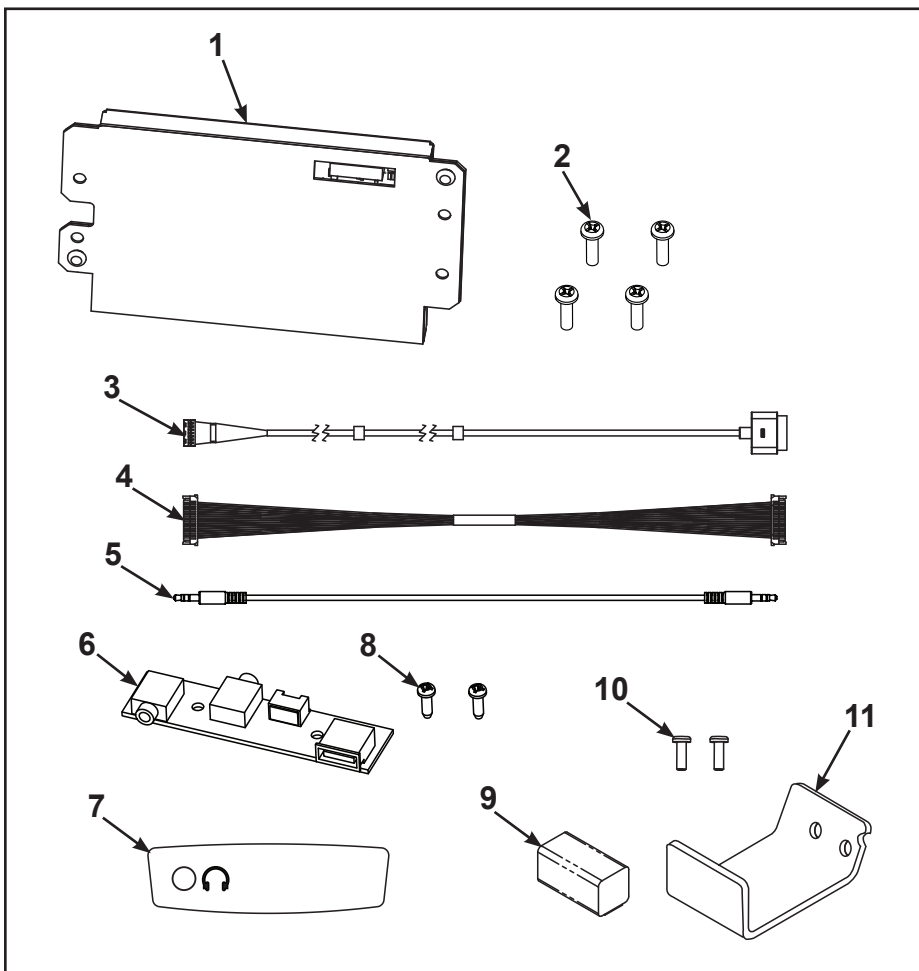
This instruction sheet describes how to install the Apple upgrade kit for Cybex bike models 625C and 625R.

Tools Required

- Phillips screwdriver
- Utility knife
- ESD (Electrostatic Discharge) grounding strap

Read and understand all instructions thoroughly before installing this kit.

Verify the kit contents shown.



	Description	Qty.
1	iPod assembly, AX-24137	1
2	Screw, 6-19 x 0.50", HS-18320	4
3	Cable, iPod, 30 pin, AW-23768	1
4	Cable, GFX to MCC, AW-23300	1
5	Cable, Headphone jack jumper, AW-23298	1
6	PCA, Headphone jack board, AD-23332	1
7	Decal, Headphone jack, DE-23399	1
8	Screw, 4 x 3/8", HS-20553	2
9	Gasket, HX-23441	1
10	Screw, #8-32 x 0.50", HS-21672	2
11	Bracket, grounding, FS-23440	1

Disconnect optional external power source

Unplug the unit from the power outlet.



WARNING: Shock and electrocution hazard

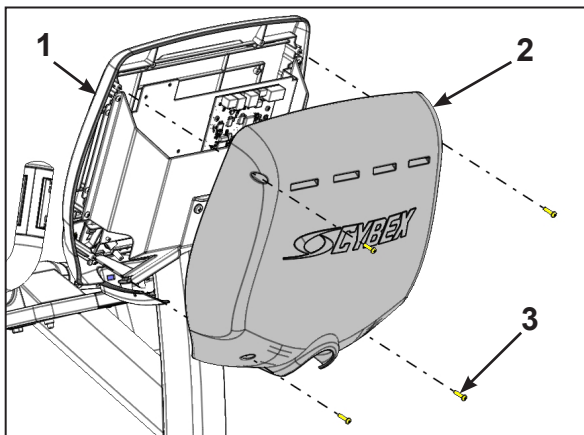
- Unplug unit and let sit 10 minutes before cleaning or performing maintenance
- Electrical charge can remain in unit after unplugging
- Keep water and liquids away from electrical parts

NOTICE: Component damage

Wear an ESD grounding strap during this procedure. Connect ESD grounding strap to frame bolts or unpainted metal of frame. If ESD grounding strap is not available, touch frame bolts or unpainted metal of frame before handling any electronics.

Remove back cover

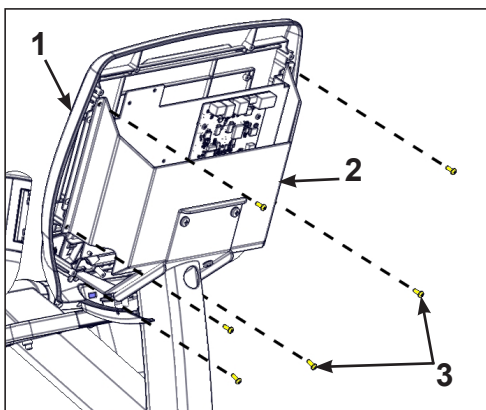
Remove the four screws securing the back cover to the console assembly using a Phillips screwdriver.



	Description	Qty
1	Console Assembly	1
2	Back Cover	1
3	Screws	4

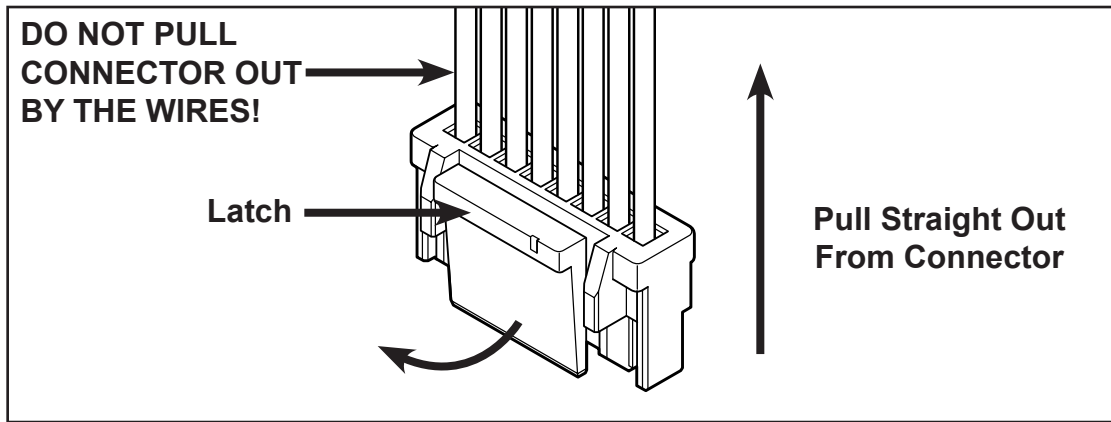
Remove console assembly

1. Remove the six screws securing the console assembly to the console support using a Phillips screwdriver.



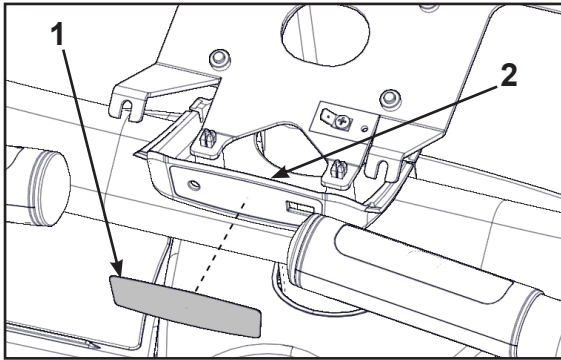
	Description	Qty
1	Console Assembly	1
2	Console support	1
3	Screws	6

- Unplug cables by pinching latch and make sure it releases connector. Pull connector out.



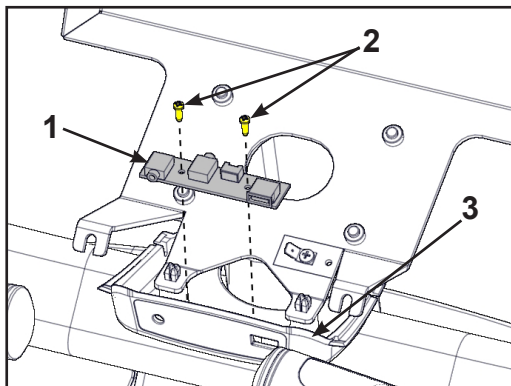
Install headphone jack board

- Remove the blank decal from the headphone jack cover using a utility knife.



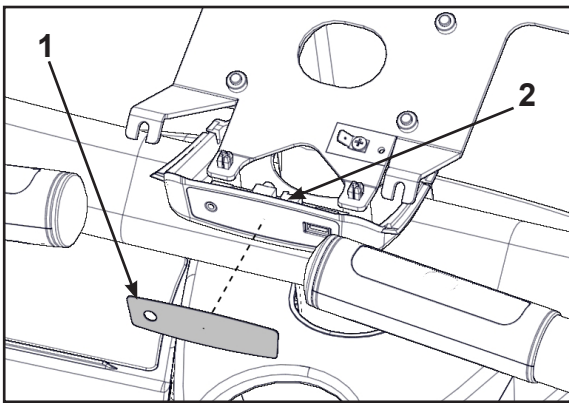
	Description	Qty
1	Blank decal	1
2	Headphone jack cover	1

- Install the two 4 x 3/8" screws securing the headphone jack board to the headphone jack cover using a Phillips screwdriver.



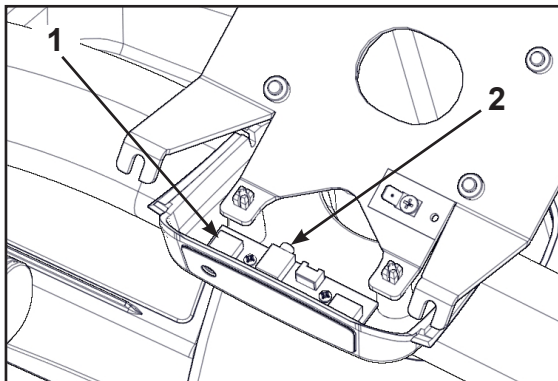
	Description	Qty
1	Headphone jack board	1
2	Screws, 4 x 3/8"	2
3	Headphone jack cover	1

3. Install the headphone jack decal to the headphone jack cover.



	Description	Qty
1	Headphone jack decal	1
2	Headphone jack cover	1

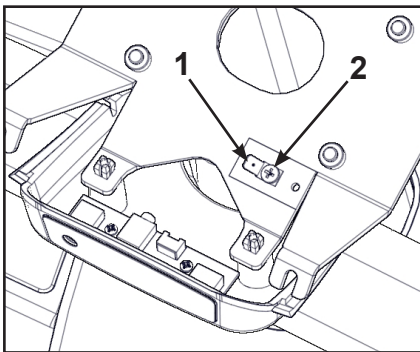
4. Plug the headphone jack cable into the headphone jack board.



	Description	Qty
1	Headphone jack board	1
2	Plug cable in here	1

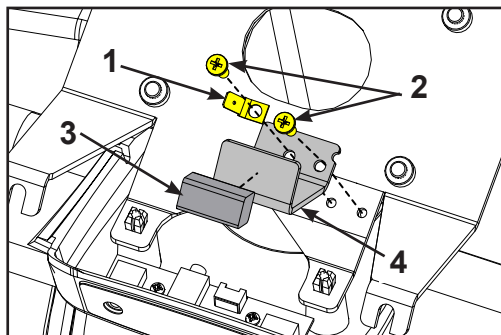
Install grounding bracket

1. Remove the grounding tab and screw using a Phillips screwdriver.



	Description	Qty
1	Grounding tab	1
2	Screw	1

2. Remove the backing from the gasket and apply to the grounding bracket.

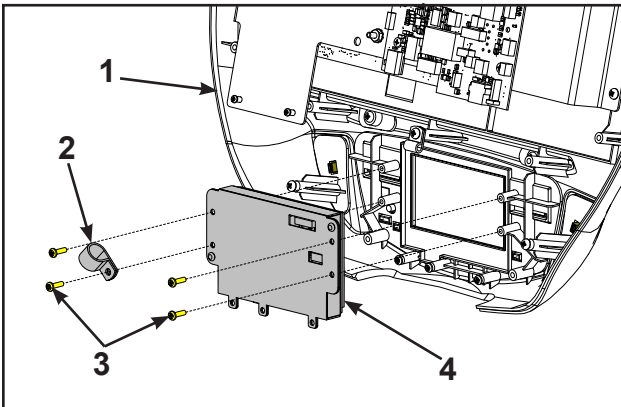


	Description	Qty
1	Grounding tab	1
2	Screws, 8-32 x 0.50"	2
3	Gasket	1
4	Grounding bracket	1

3. Install the grounding bracket, grounding tab, and 8-32 x 0.50" screws to the console as shown using a Phillips screwdriver.

Install iPod board

1. Remove the screw securing the clamp as shown using a Phillips screwdriver.

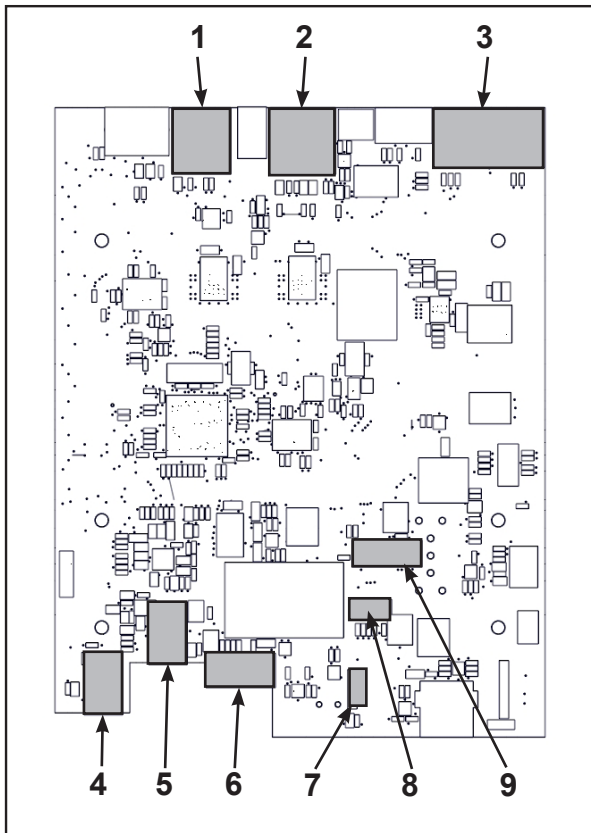


	Description	Qty
1	Console front	1
2	Clamp	1
3	Screws	4
4	iPod board	1

2. Install the iPod board, four screws, and clamp as shown using a Phillips screwdriver.
3. Plug the GFX to MCC cable into the iPod board.

Connect console cables

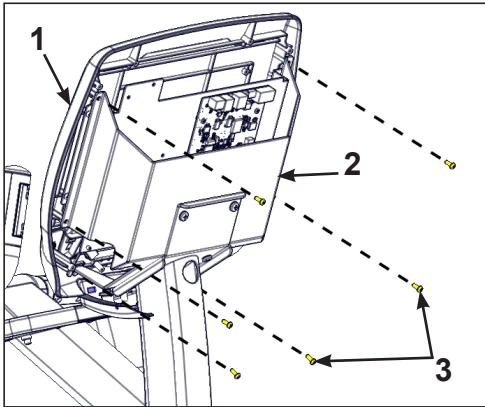
Install console cables to MCC board.



	Description
1	CSAFE (optional)
2	Display
3	E3 View monitor
4	A/V
5	Headphone jack
6	iPod
7	Heart rate
8	Handset membrane
9	iPod board assembly

Install console assembly

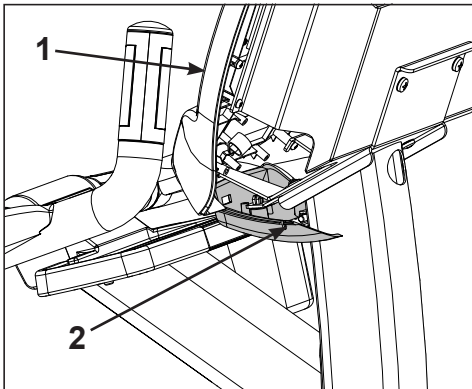
1. Install the six screws securing the console assembly to the console support using a Phillips screwdriver.



	Description	Qty
1	Console Assembly	1
2	Console support	1
3	Screws	6

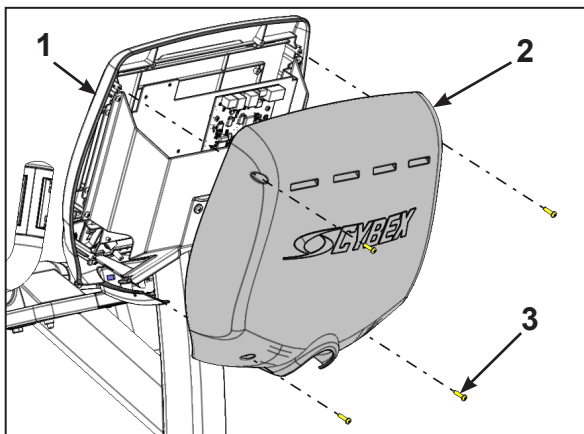
Install back cover

1. Route the iPod cable through the notch in the console assembly.



	Description	Qty
1	Console Assembly	1
2	Notch	1

2. Install the four screws securing the back cover to the console assembly using a Phillips screwdriver.



	Description	Qty
1	Console Assembly	1
2	Back Cover	1
3	Screws	4

Complete installation

1. Plug the optional power cord into the power inlet.
2. Begin pedaling the unit until the console lights up.
3. Operate the unit at all levels to verify proper operation.

Cybox® and the Cybox logo are registered trademarks of Cybox International, Inc.
iPod and iPhone are trademarks of Apple Inc., registered in the U.S. and other countries.
10 Trotter Drive Medway, MA 02053
508-533-4300 • FAX 508-533-5183 • www.cyboxintl.com
Copyright © 2014, Cybox International, Inc. All rights reserved • LT-25116-4 A • July 2014

