

Netpulse Upgrade Kit, 770C/770R

Kit Number KU-24640

Installation Instructions

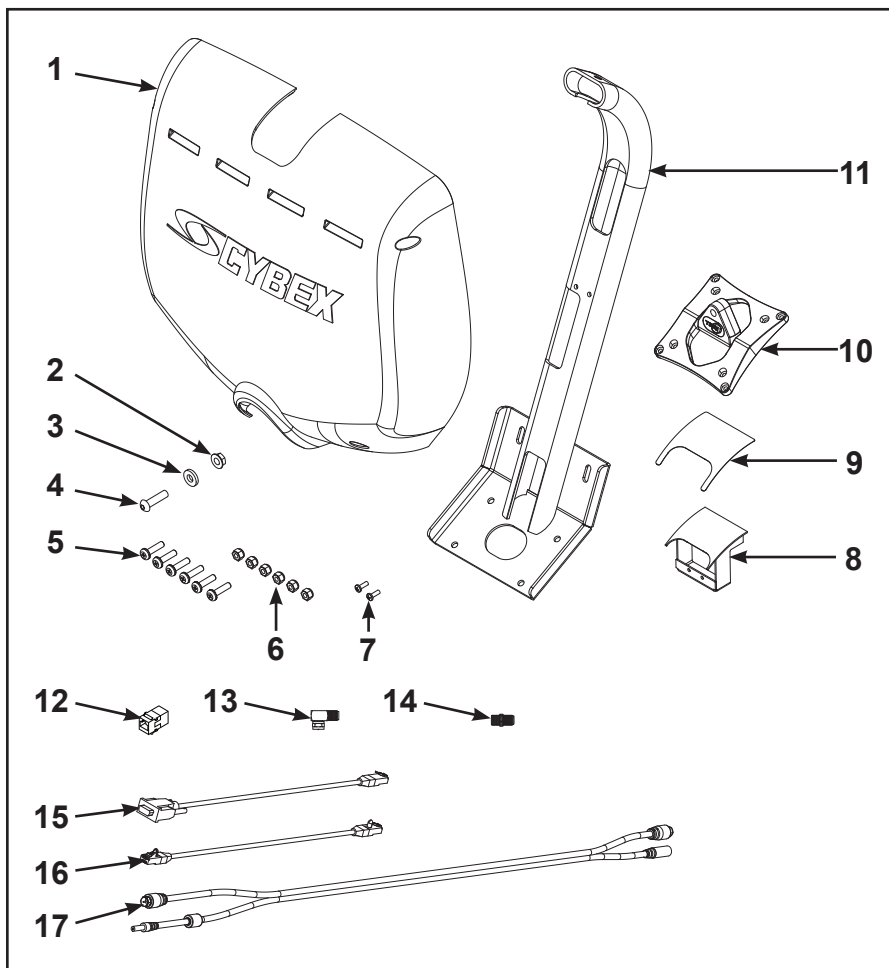
This instruction sheet describes how to install the Netpulse upgrade kit for Cybex bike model 770C or 770R.

Tools Required

- Phillips screwdriver
- 1/2" Wrench
- 7/16" Wrench
- 5/16" Allen wrench

Read and understand all instructions thoroughly before installing this kit.

Verify the kit contents shown. Netpulse monitor not included.



| | Description |
|----|--------------------------------|
| 1 | Back cover, PL-24438 |
| 2 | 5/16" Locknut, HN-42063 |
| 3 | Washer, HW-18123 |
| 4 | Bolt, HS-18157 |
| 5 | 1" Bolt (6), HS-00489 |
| 6 | 1/4" Locknut (6), HN-12079 |
| 7 | 1/2" Screw (2), HS-21672 |
| 8 | Hood, AF-24436 |
| 9 | Decal, DE-24616 |
| 10 | Vesa mount, HX-24440 |
| 11 | Monitor bracket, AF-24437 |
| 12 | Coupler, RJ45, CN-22747 |
| 13 | Coupler, Right angle, CN-24518 |
| 14 | Coupler, Coax, CN-24519 |
| 15 | CSAFE cable, AW-24522 |
| 16 | CAT6 cable, AW-24521 |
| 17 | Power and COAX cable, AW-24523 |

Disconnect optional external power source

Unplug power cord from the power outlet.



WARNING: Shock and electrocution hazard

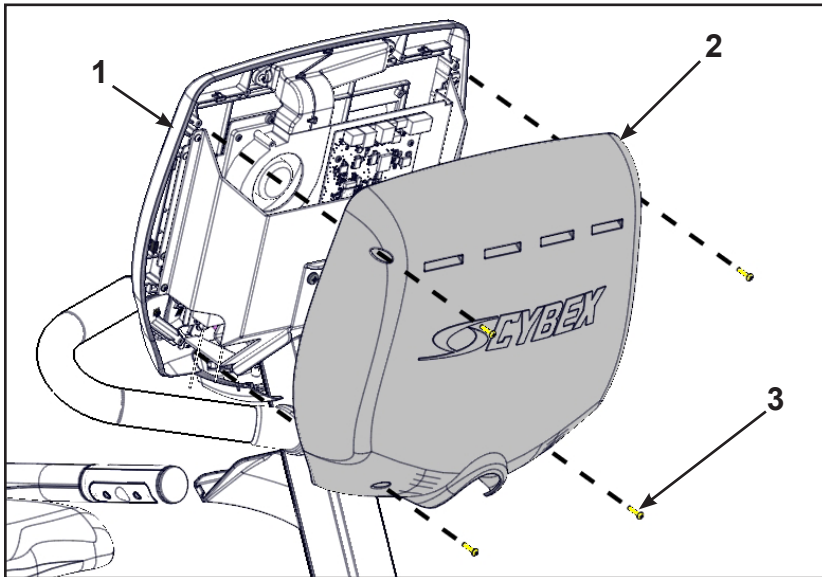
- Unplug unit and let sit 10 minutes before cleaning or performing maintenance
- Electrical charge can remain in unit after unplugging
- Keep water and liquids away from electrical parts

NOTICE: Component damage

Wear an ESD grounding strap during this procedure. Connect ESD grounding strap to frame bolts or unpainted metal of frame. If ESD grounding strap is not available, touch frame bolts or unpainted metal of frame before handling any electronics.

Remove back cover

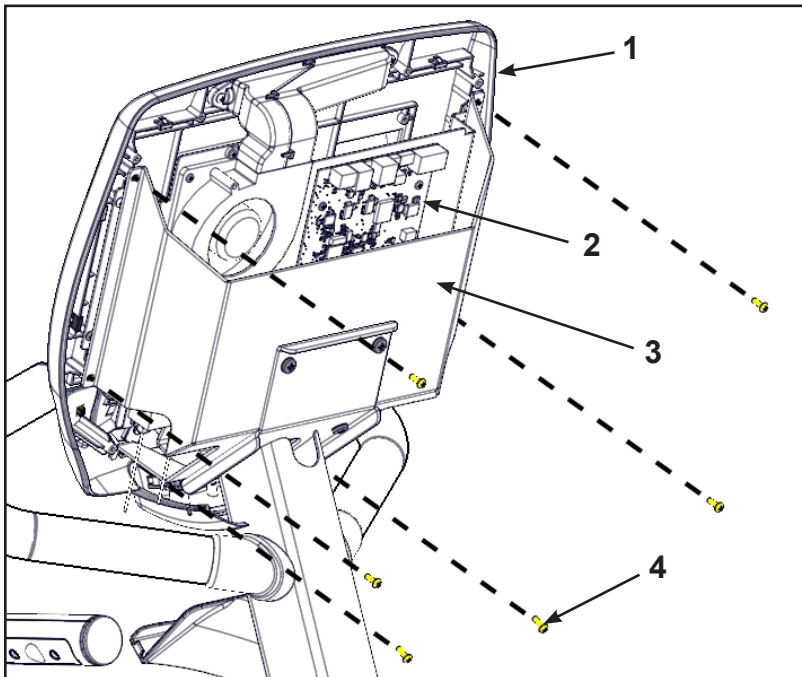
Remove the four screws securing the back cover to the console assembly using a Phillips screwdriver.



| | Description |
|---|------------------|
| 1 | Console assembly |
| 2 | Back cover |
| 3 | Screws (4) |

Remove console assembly

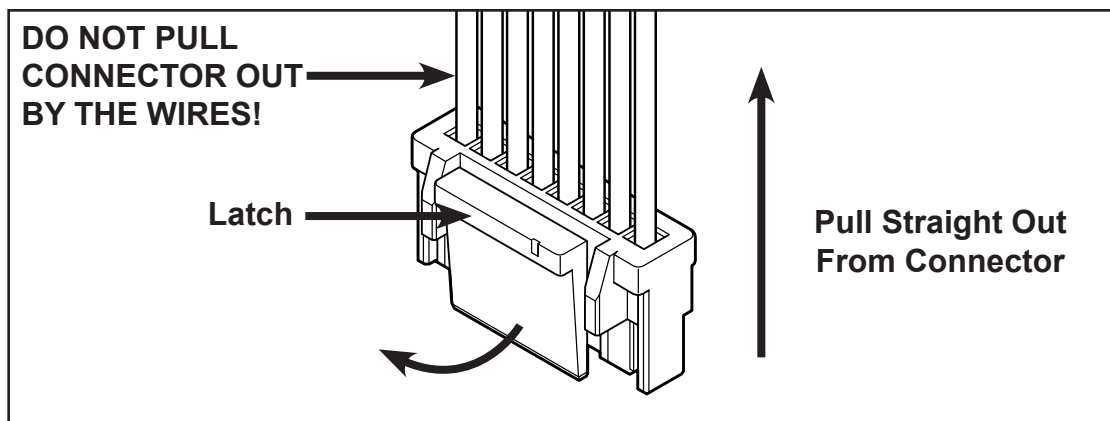
1. Remove the six screws securing the console assembly to the console support using a Phillips screwdriver.



| | Description |
|---|------------------|
| 1 | Console assembly |
| 2 | MCC board |
| 3 | Console support |
| 4 | Screws (6) |

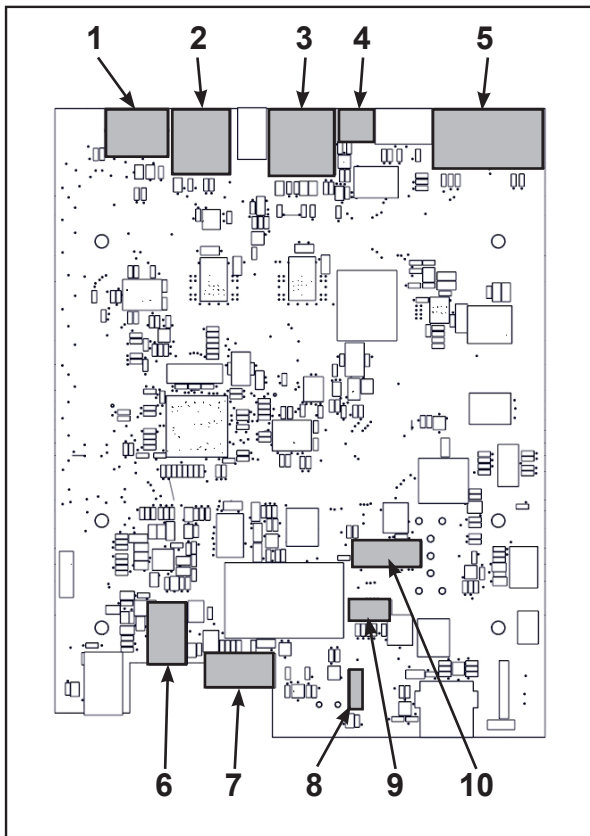
2. Unplug cables from the MCC board by un-latching connectors with the following procedure:

- A. Press in the top of the cable connector.



- B. Ensure the latch disengages the connector.
- C. Unplug cable by holding down the latch and pulling straight out from the connector. Do not pull on wires, remove by connector.

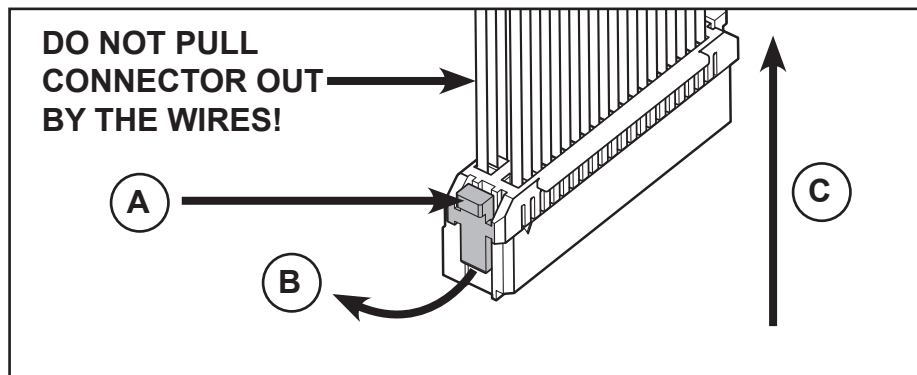
MCC board cables



| | Description |
|----|--------------------------------|
| 1 | Wireless audio (optional) |
| 2 | CSAFE (optional) |
| 3 | Display |
| 4 | Fan |
| 5 | LED display board |
| 6 | Headphone jack |
| 7 | iPod (optional) |
| 8 | Heart rate |
| 9 | Handset membrane |
| 10 | iPod board assembly (optional) |

3. Unplug CardioTouch cable. The CardioTouch cable is held in place by a notch in the access cover.

A. Press in both side latches of the cable connector.



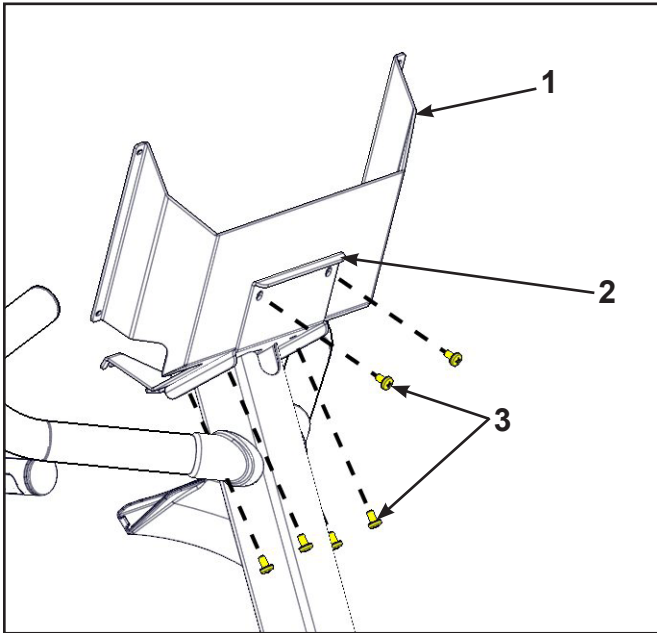
B. Ensure the latches disengage from the connector.

C. Unplug cable by holding down the latches on both sides and pulling straight out from the connector. Do not pull on wires, remove by connector.

4. Unplug optional wireless audio antenna if installed.

Remove console support screws

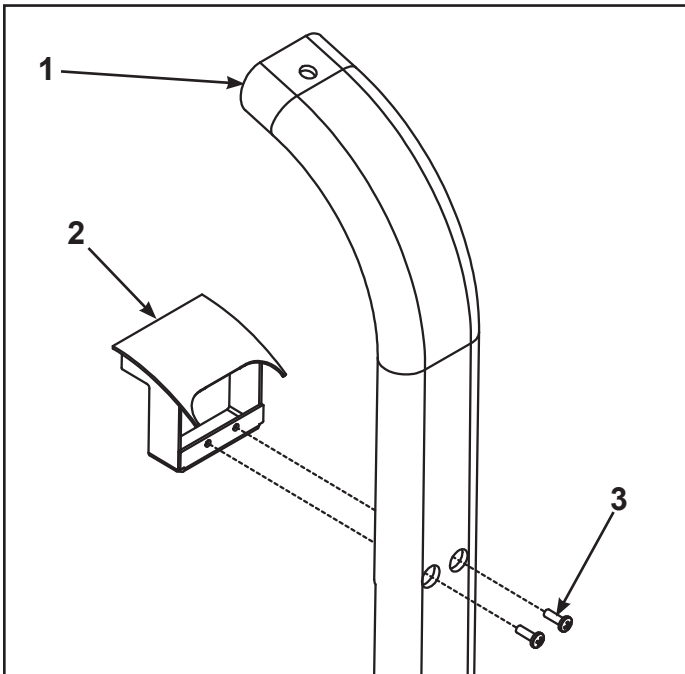
Remove and discard the six screws securing the console support to the weldment using a Phillips screwdriver.



| | Description |
|---|-----------------|
| 1 | Console support |
| 2 | Weldment |
| 3 | Screw (6) |

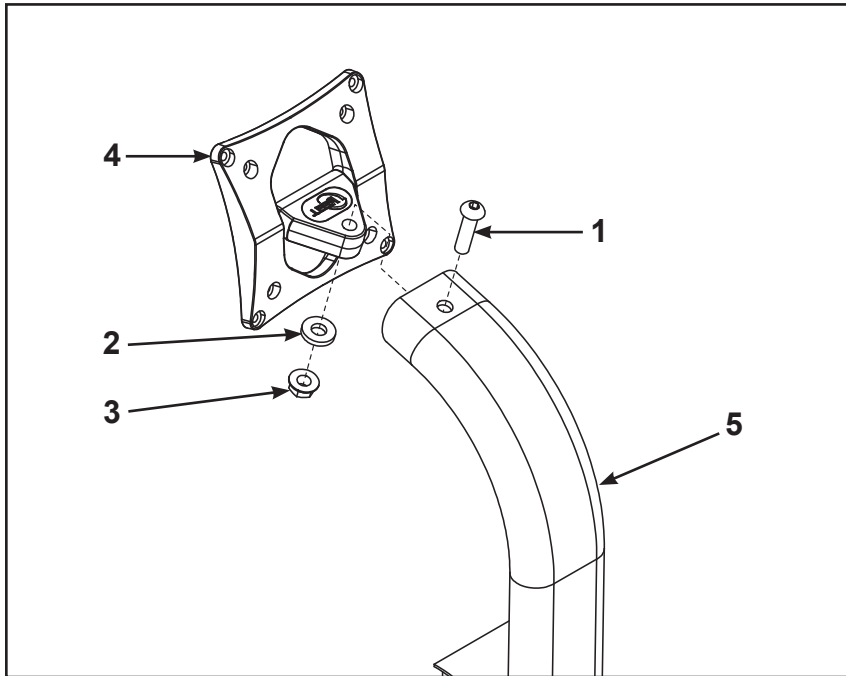
Assemble monitor bracket

1. Install the two 1/2" screws securing the hood to the monitor bracket using a Phillips screwdriver.



| | Description |
|---|-----------------|
| 1 | Monitor bracket |
| 2 | Hood |
| 3 | 1/2" Screw (2) |

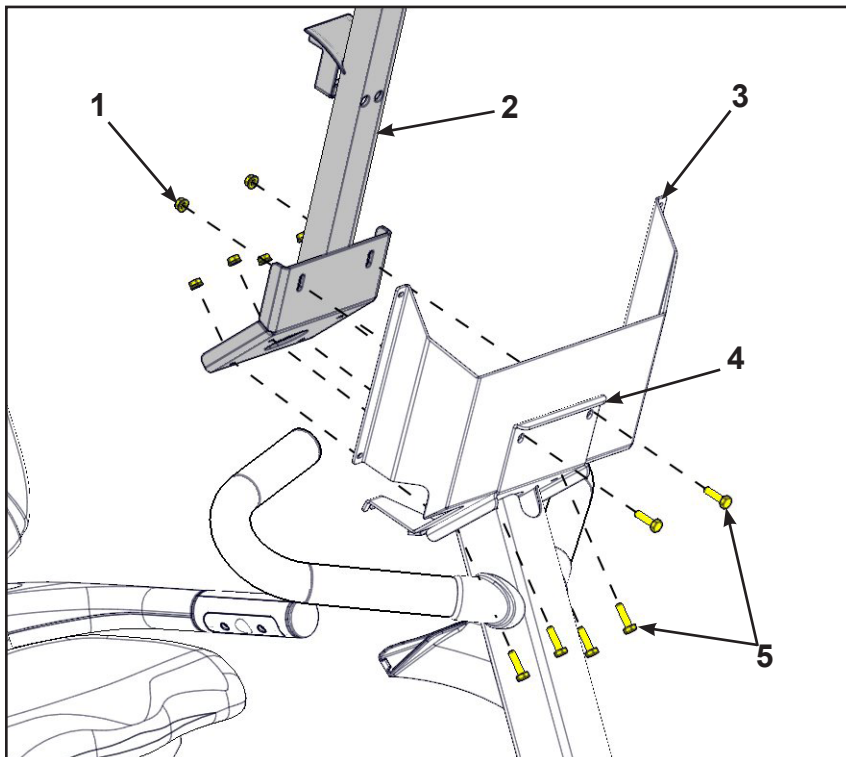
2. Install the bolt, washer, and 5/16" locknut securing the Vesa mount to the monitor bracket using a 5/16" Allen wrench and a 1/2" wrench.



| | Description |
|---|-----------------|
| 1 | Bolt |
| 2 | Washer |
| 3 | 5/16" Locknut |
| 4 | Vesa mount |
| 5 | Monitor bracket |

Install monitor bracket

1. Install the six bolts securing the console support to the weldment using a 7/16" wrench.



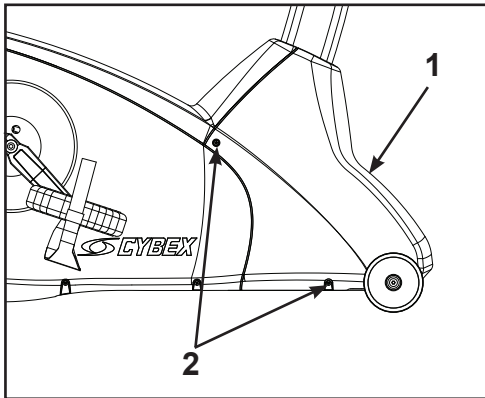
| | Description |
|---|------------------|
| 1 | 1/4" Locknut (6) |
| 2 | Monitor bracket |
| 3 | Console support |
| 4 | Weldment |
| 5 | Bolts (6) |

2. Install the six 1/4" locknuts securing the monitor bracket to the console support and weldment using a 7/16" wrench.

Remove front covers

770C

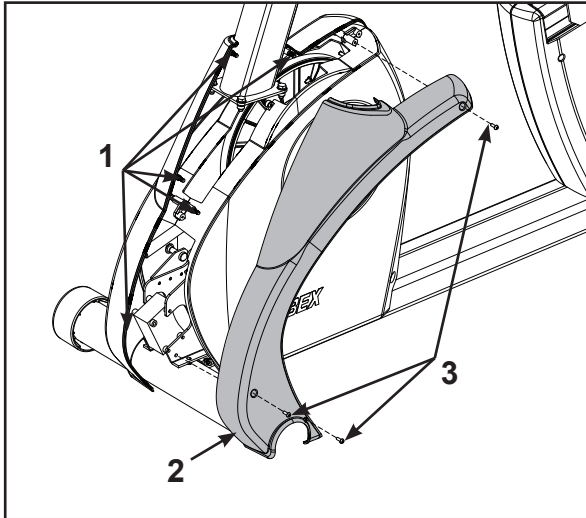
Remove the two screws securing the front right cover using a Phillips screwdriver.



| | Description |
|---|-------------------|
| 1 | Front right cover |
| 2 | Screws (2) |

770R

Remove the three screws securing the front left cover using a Phillips screwdriver.

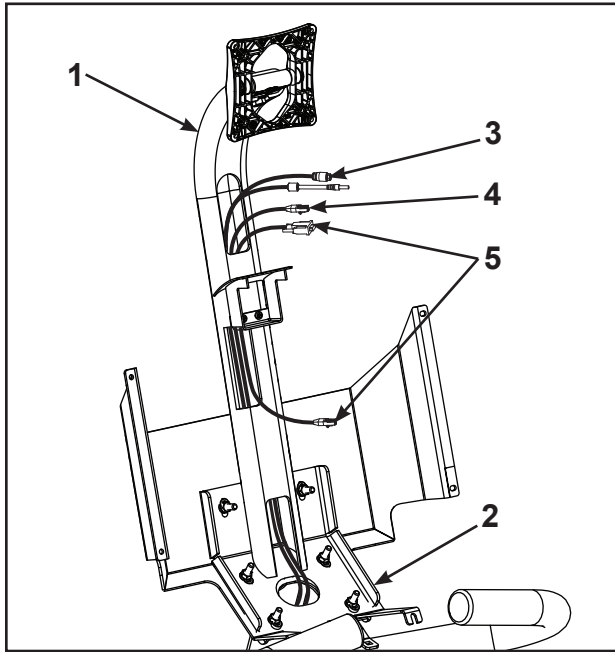


| | Description |
|---|--------------------|
| 1 | Plastic connectors |
| 2 | Front left cover |
| 3 | Screws (2) |

In addition to the mounting screws, there are five plastic connectors that secure the front covers together.

Route cables

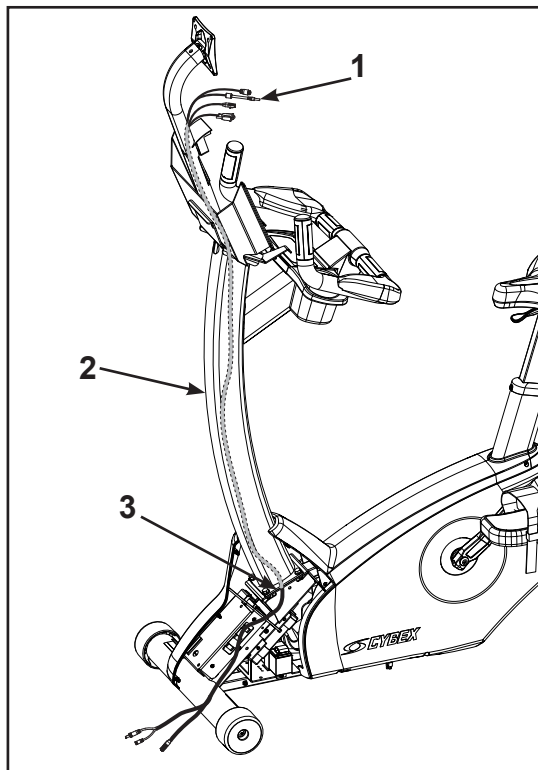
1. Route the power and COAX cable, and the CAT6 cables through the top of the monitor bracket and down into the weldment. The CAT6 cable will plug into the console.



| | Description |
|---|-----------------|
| 1 | Monitor bracket |
| 2 | Weldment |
| 3 | Power and COAX |
| 4 | CAT6 |
| 5 | CSAFE |

770C

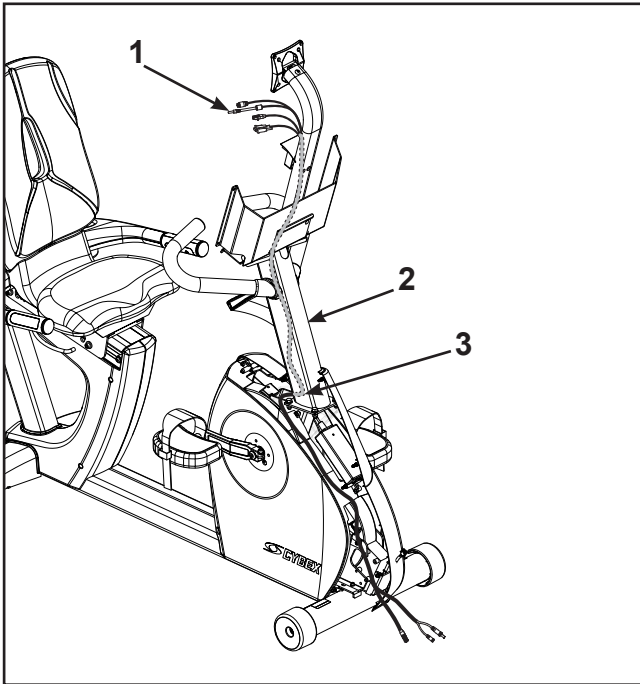
Route the power and coax cable, and CAT6 cable into the top of the upright tube until it exits through the lower hole in the upright tube.



| | Description |
|---|--------------|
| 1 | Cables |
| 2 | Upright tube |
| 3 | Lower hole |

770R

Route the power and coax cable, and CAT6 cable into the top of the upright tube until it exits through the lower hole in the upright tube.

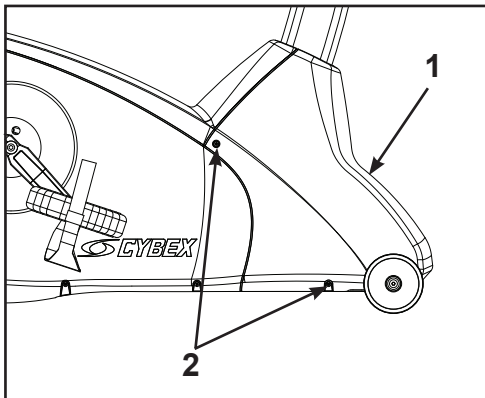


| | Description |
|---|--------------|
| 1 | Cables |
| 2 | Upright tube |
| 3 | Lower hole |

Install front covers

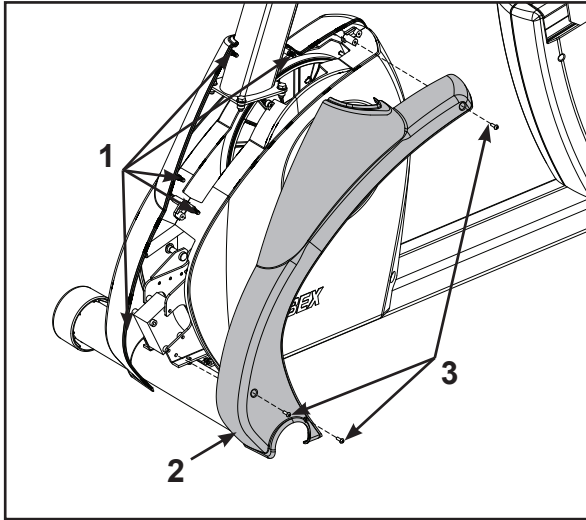
770C

Install the two screws securing the front right cover using a Phillips screwdriver.



| | Description |
|---|-------------------|
| 1 | Front right cover |
| 2 | Screws (2) |

Install the three screws securing the front right cover using a Phillips screwdriver.



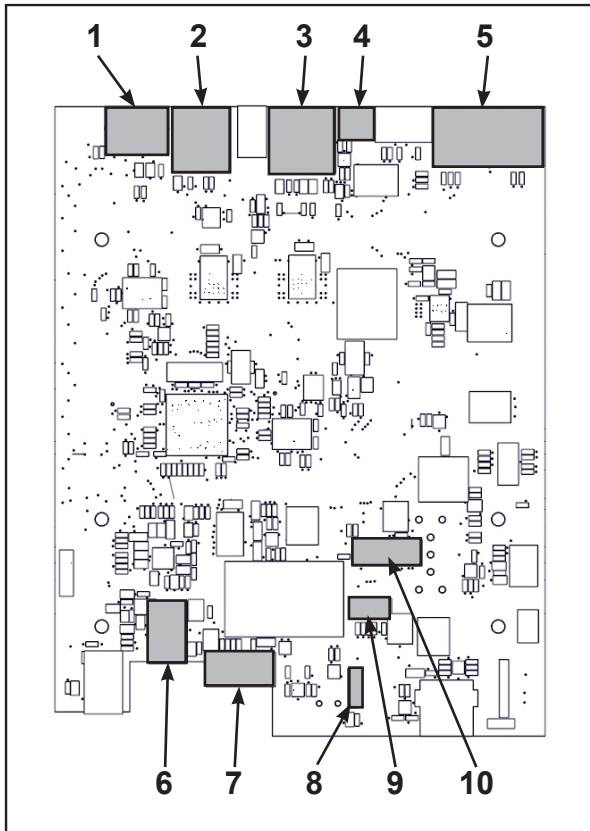
| | Description |
|---|--------------------|
| 1 | Plastic connectors |
| 2 | Front left cover |
| 3 | Screws (2) |

In addition to the mounting screws, there are five plastic connectors that secure the front covers together. Ensure that all five plastic connectors are inserted properly in each front cover.

Install console assembly

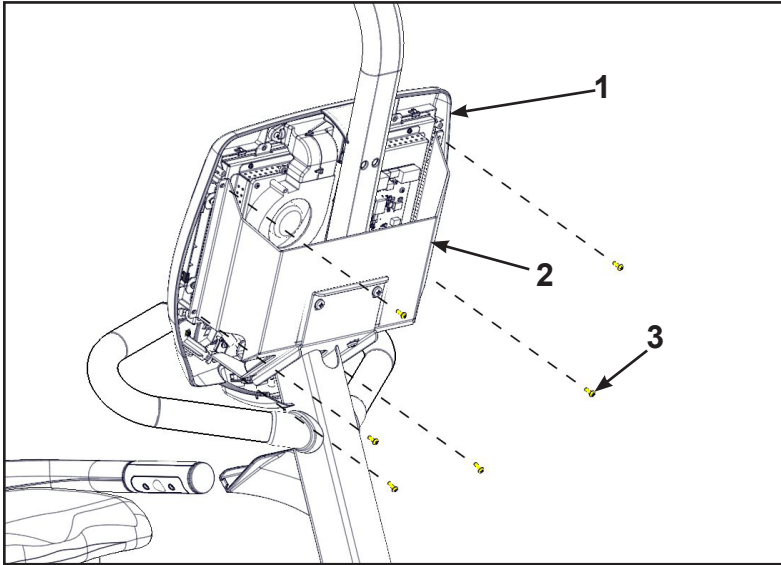
1. Plug cables into the MCC board on the console assembly.

MCC board cables



| | Description |
|----|--------------------------------|
| 1 | Wireless audio (optional) |
| 2 | CSAFE (optional) |
| 3 | Display |
| 4 | Fan |
| 5 | LED display board |
| 6 | Headphone jack |
| 7 | iPod (optional) |
| 8 | Heart rate |
| 9 | Handset membrane |
| 10 | iPod board assembly (optional) |

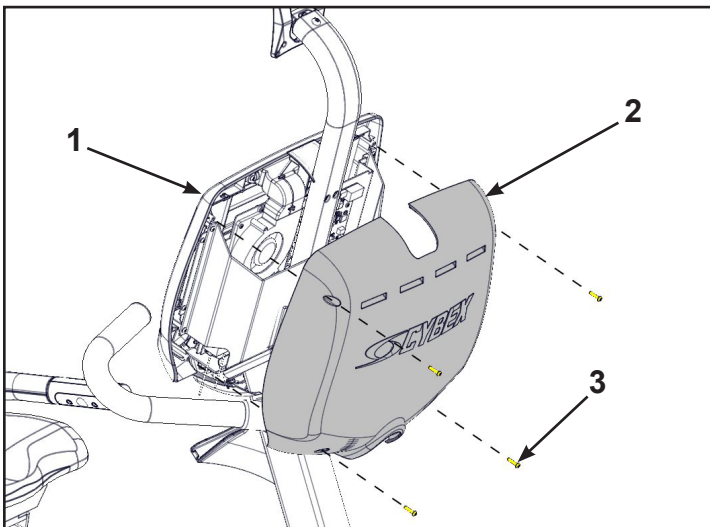
2. Install the six screws securing the console assembly to the console support using a Phillips screwdriver.



| | Description |
|---|------------------|
| 1 | Console Assembly |
| 2 | Console Support |
| 3 | Screw (6) |

Install back cover

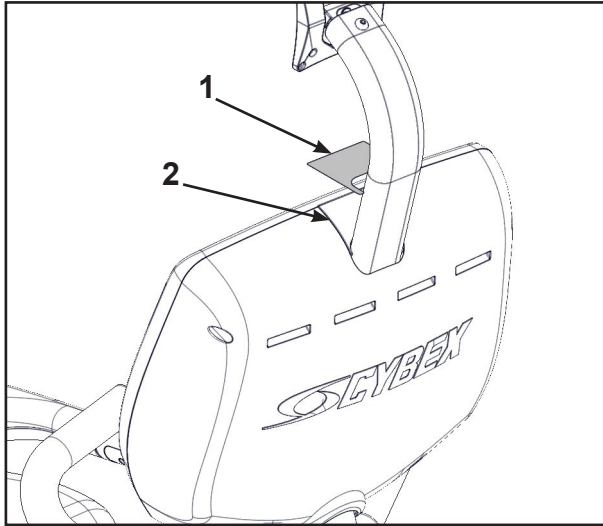
Install the four screws securing the back cover to the console assembly using a Phillips screwdriver.



| | Description |
|---|------------------|
| 1 | Console assembly |
| 2 | Back cover |
| 3 | Screw (4) |

Install decal

Place decal on top of hood.



| | Description |
|---|-------------|
| 1 | Decal |
| 2 | Hood |

Complete installation

1. Plug the optional power supply cord into the power outlet
2. Operate the unit at all levels to verify proper operation.

Cybex® and the Cybex logo are registered trademarks of Cybex International, Inc.
10 Trotter Drive Medway, MA 02053

508-533-4300 • FAX 508-533-5183 • www.cybexintl.com

Copyright © 2013, Cybex International, Inc. All rights reserved • LT-24878-4 A • November 2013