

Release Date: 09.03.2018  
Prepared by: Oliver Duke

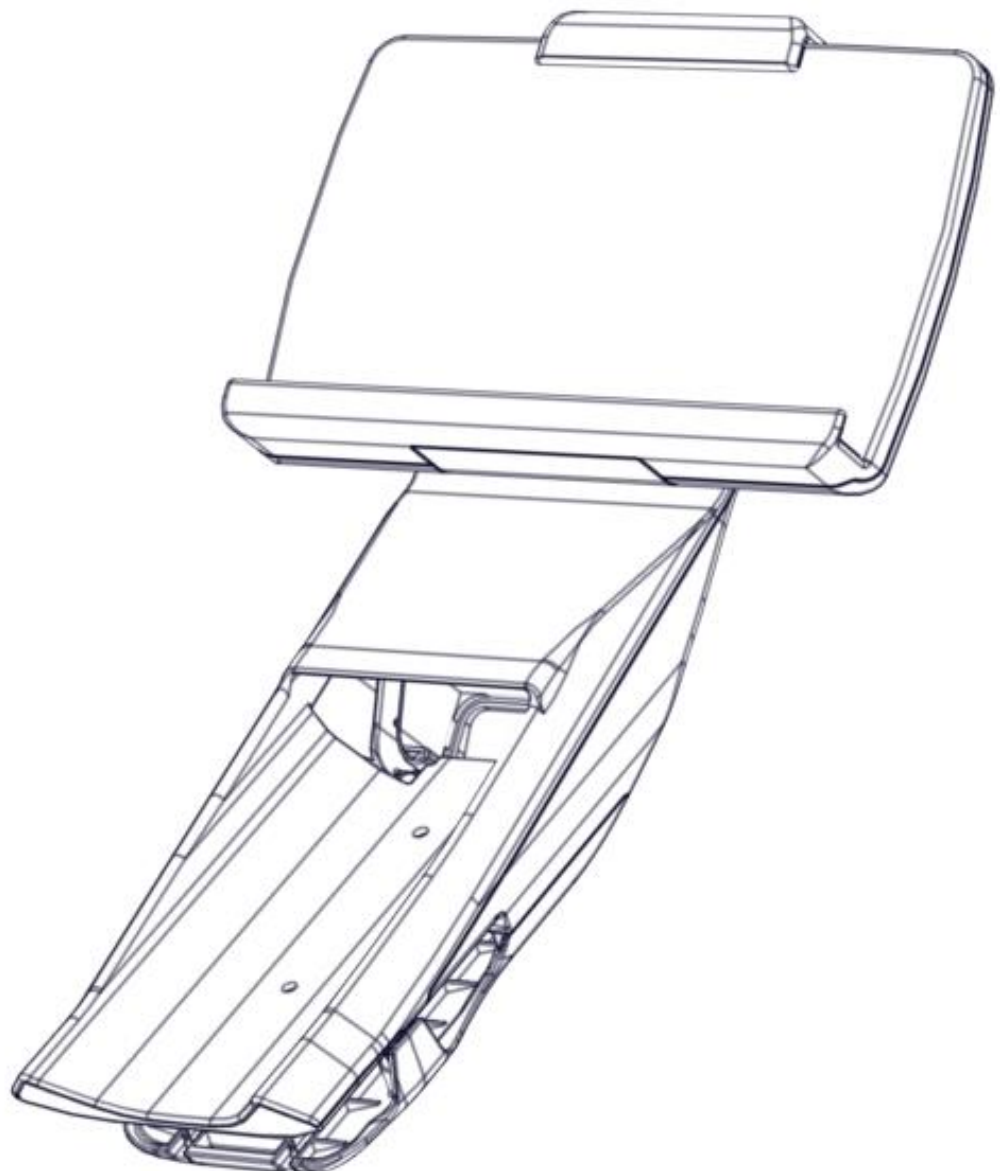
Models Affected:  
**IC8 Power Trainer**

Service Document  
**SD- 61**

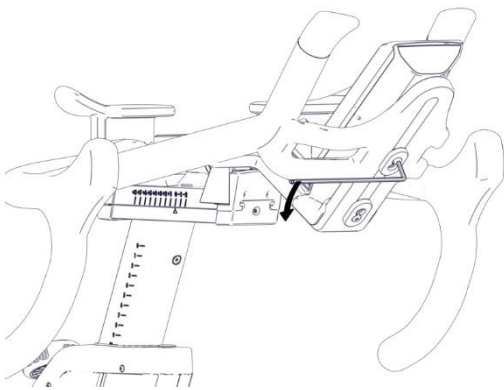
<input checked="" type="checkbox"/> Assembly instructions	<input type="checkbox"/> Installer Alert	<input type="checkbox"/> Parts Manual
<input type="checkbox"/> Service Bulletin	<input type="checkbox"/> Service Manual	<input type="checkbox"/> Software
<input type="checkbox"/> Product information	<input type="checkbox"/> Trouble Shooting	

Part number	Description
VI-BYOD-IC8-01	Universal tablet tray and handlebar bracket for IC8

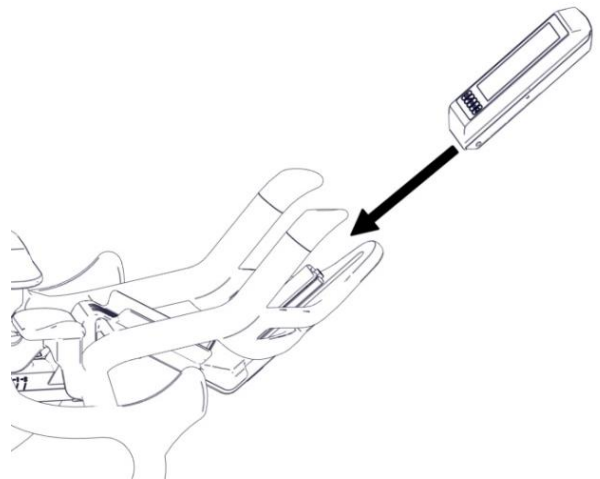
**Required tools:** 3 mm Allen key



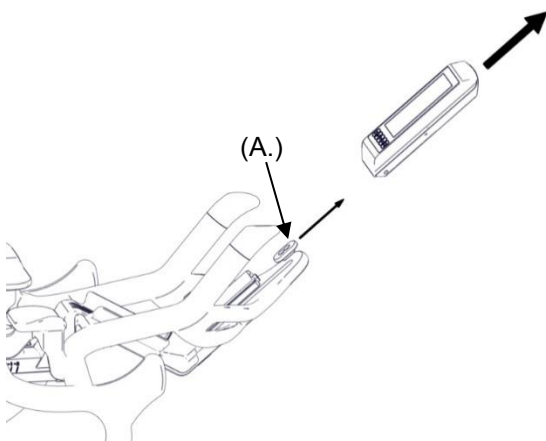
1. Loosen the bolt and remove the spacer on the outside of the handlebar with a 3 mm Allen Key. The bolt will be reused in a later step.



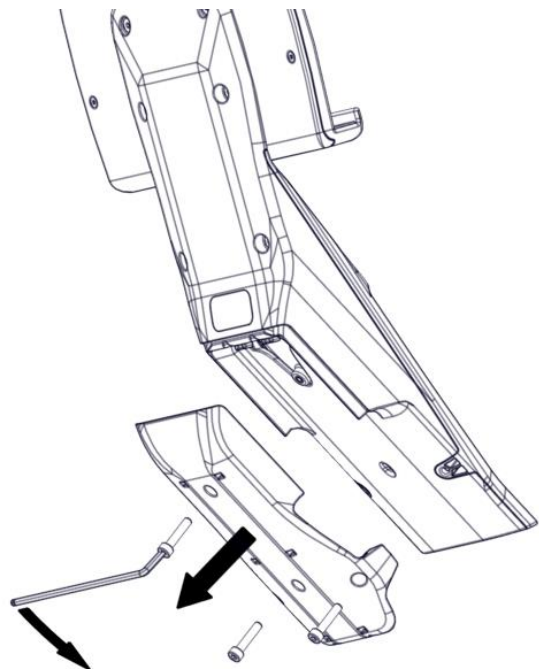
3. Slide the computer back on to the bracket without the spacer.



2. Remove the computer from the handlebar bracket and remove the 2<sup>nd</sup> spacer (A.) positioned between the computer and handlebar

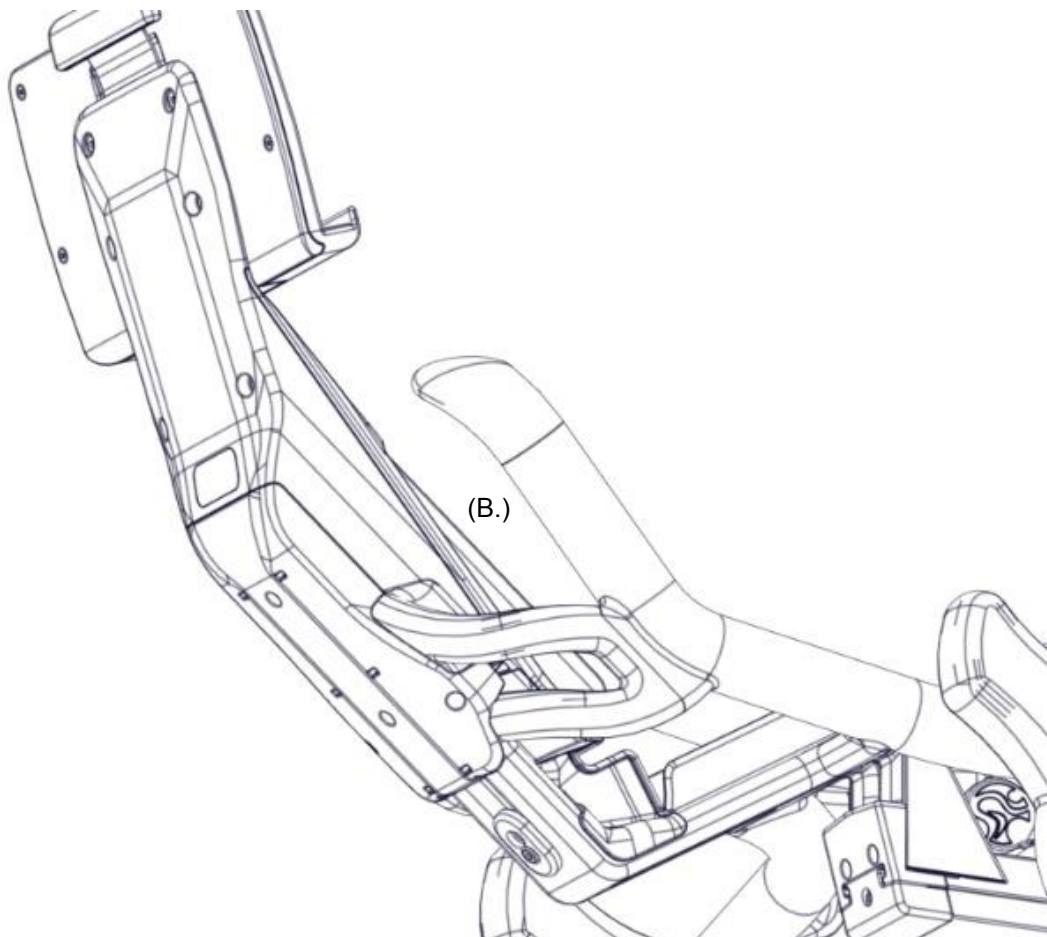
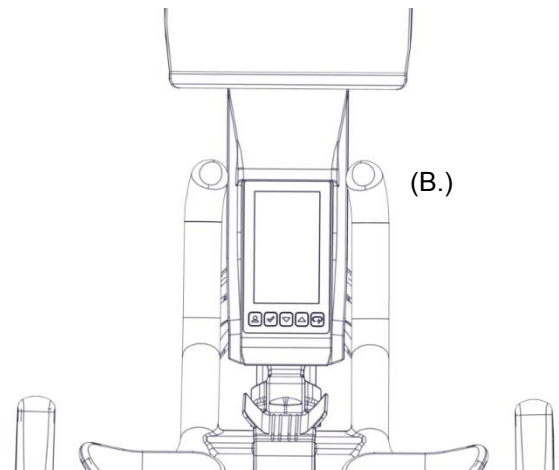
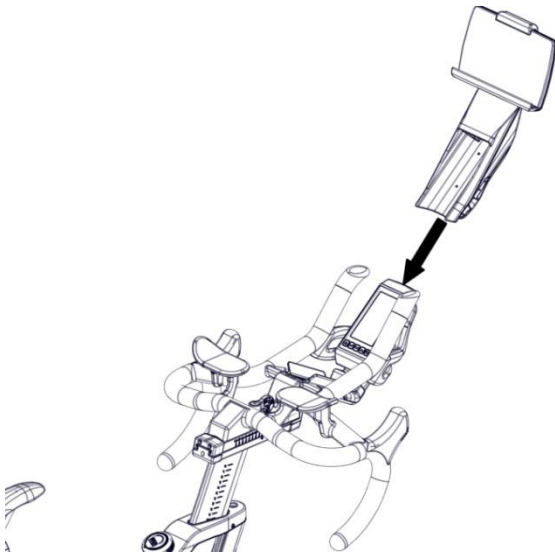


4. Remove the cover from the underside of the device tray by removing 3 screws with a 3 mm Allen key.

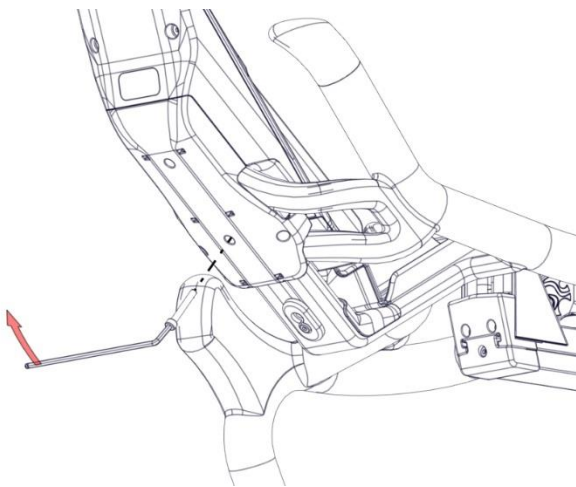


5. Slide the device tray on the computer bracket and over computer and handlebar.

Installation position (B.).



6. Fit the cover on the bracket and reuse the bolt from step one and screw (hand tight) it into lower middle hole.



8. Process completed.



7. Fasten the 3 bolts from step 4 (hand tight).

