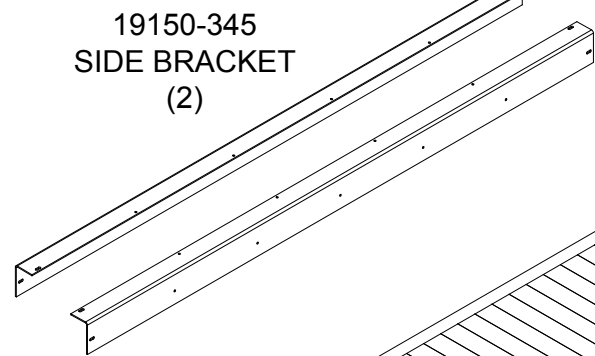
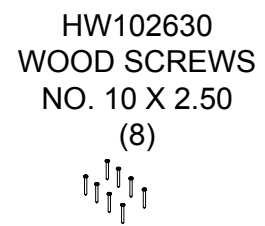


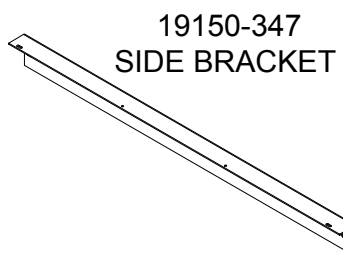
19140 OPTIONAL RAMP



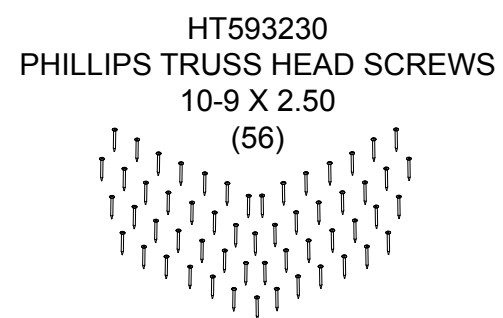
19150-345
SIDE BRACKET
(2)



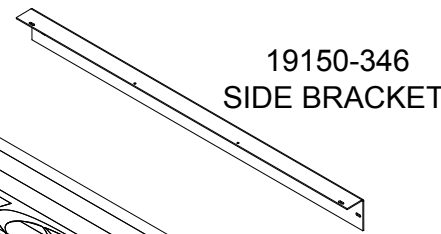
HW102630
WOOD SCREWS
NO. 10 X 2.50
(8)



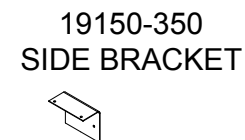
19150-347
SIDE BRACKET



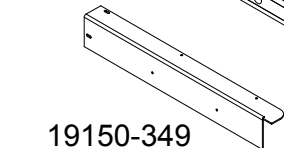
HT593230
PHILLIPS TRUSS HEAD SCREWS
10-9 X 2.50
(56)



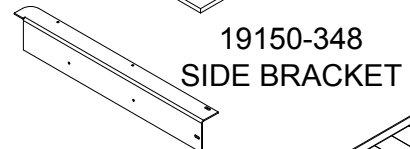
19150-346
SIDE BRACKET



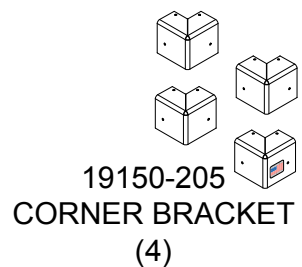
19150-350
SIDE BRACKET



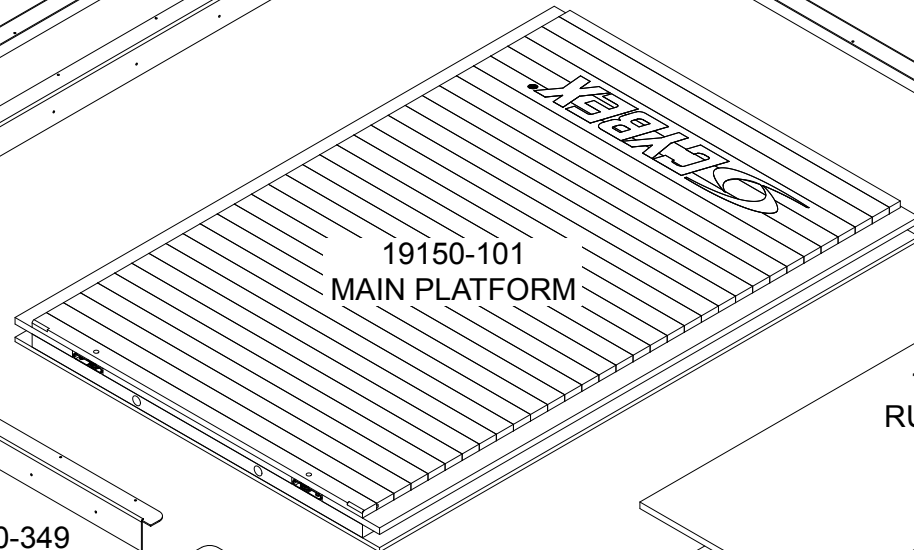
19150-349
SIDE BRACKET



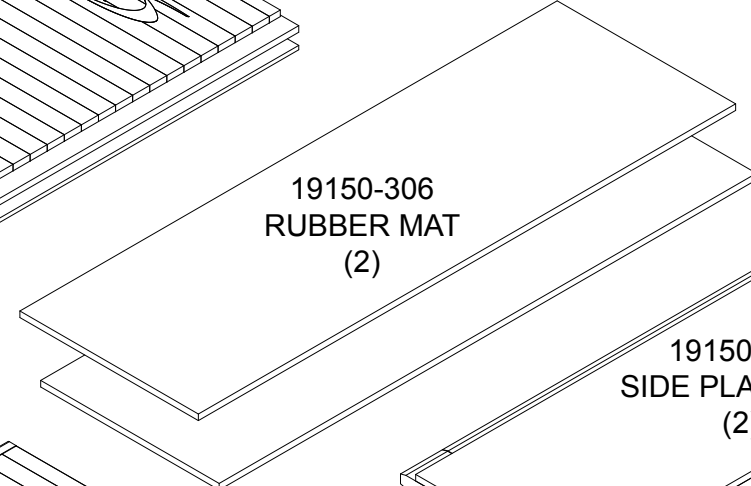
19150-348
SIDE BRACKET



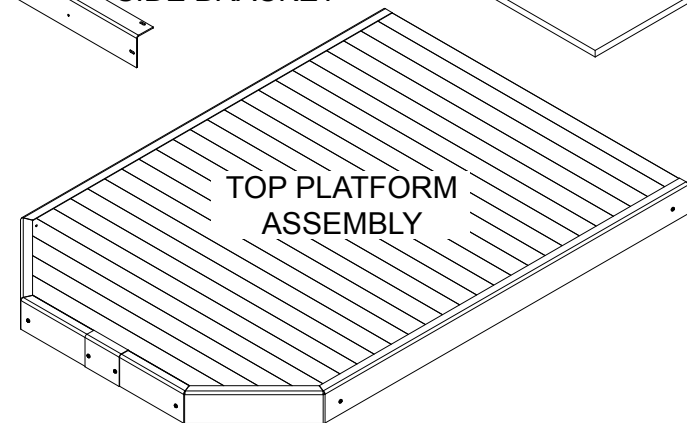
19150-205
CORNER BRACKET
(4)



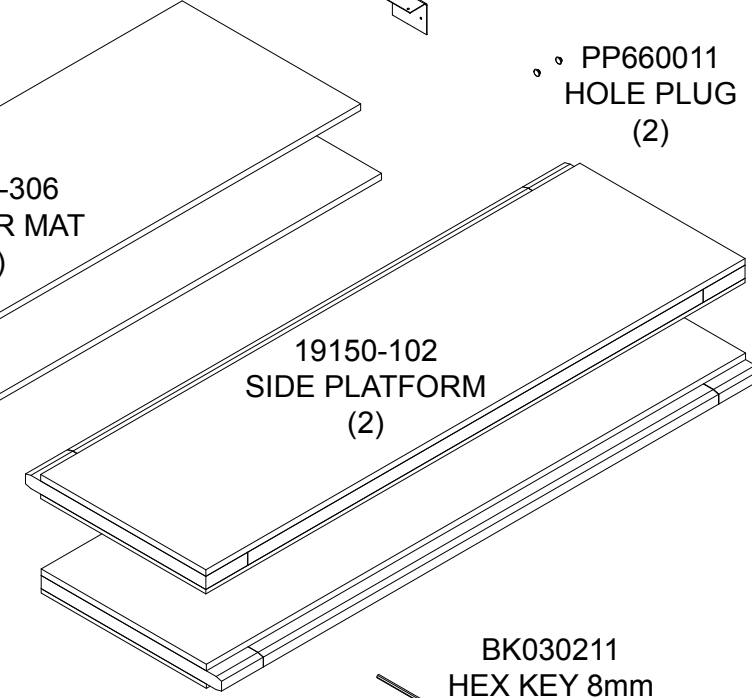
19150-101
MAIN PLATFORM



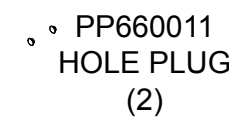
19150-306
RUBBER MAT
(2)



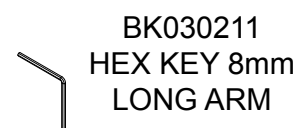
TOP PLATFORM
ASSEMBLY



19150-102
SIDE PLATFORM
(2)

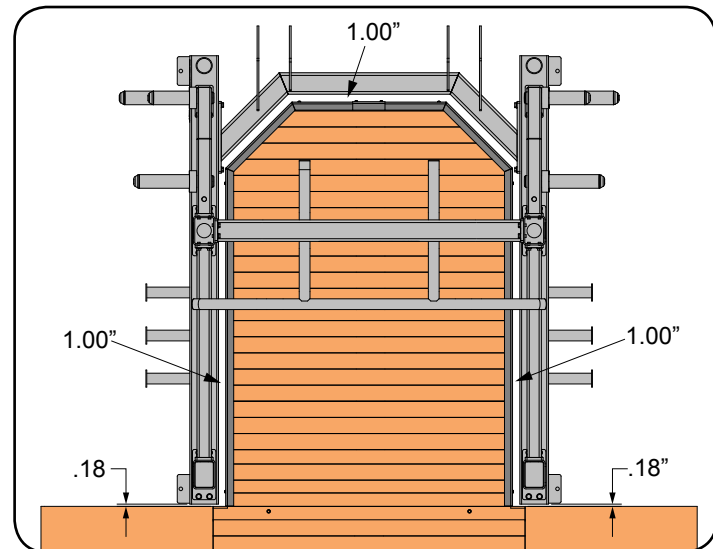


PP660011
HOLE PLUG
(2)

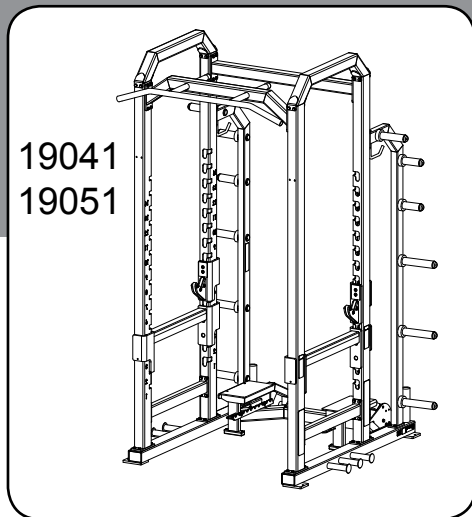


BK030211
HEX KEY 8mm
LONG ARM

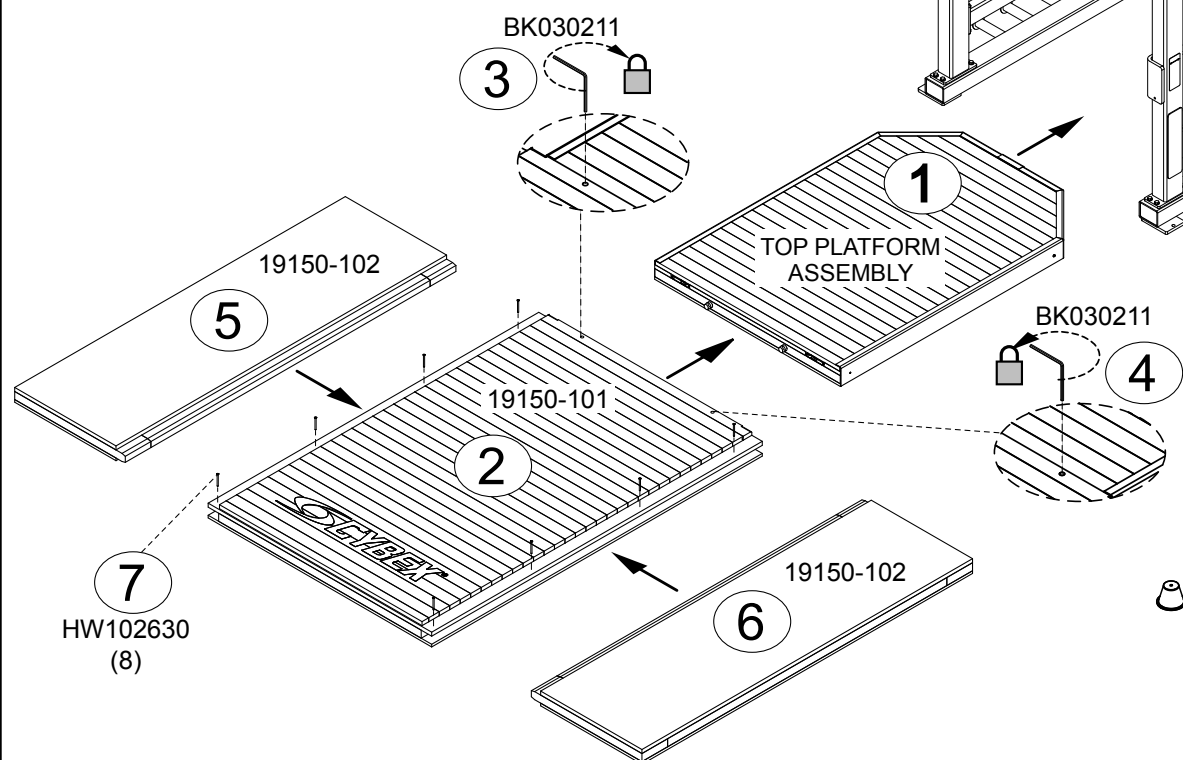
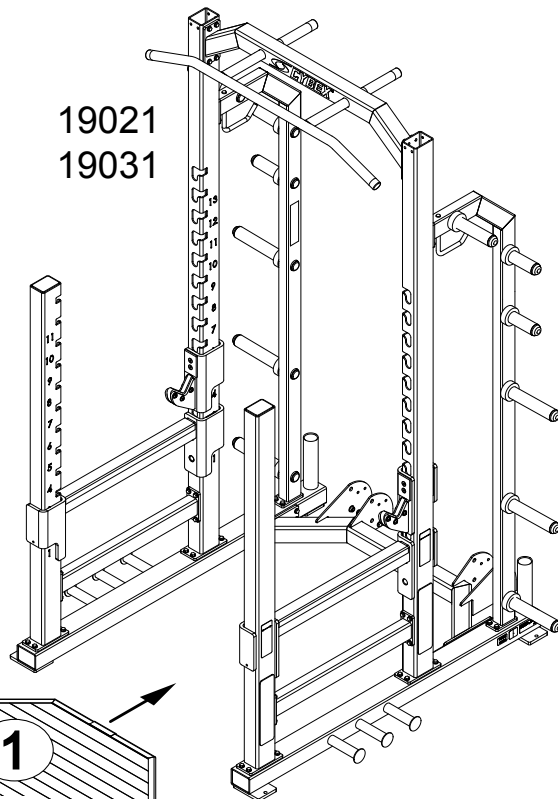
3



19041
19051

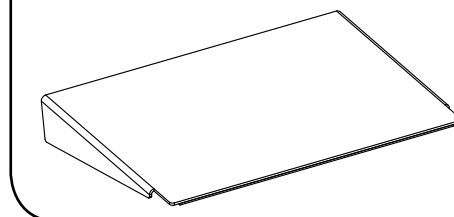


19021
19031

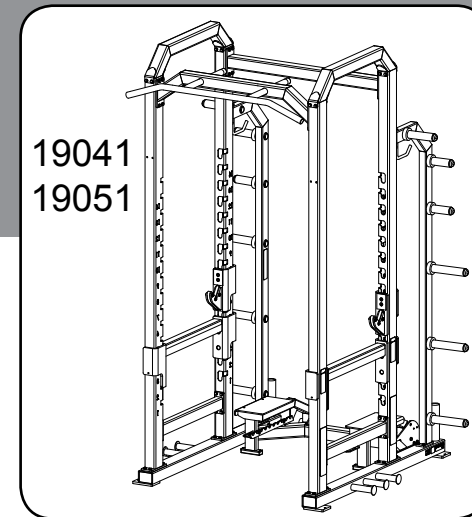


4

19140 OPTIONAL RAMP



19041
19051



19021
19031

