

Jungle Gym Accessory Rack

Accessory Rack

Installation Instructions

This instruction sheet describes how to add the Jungle Gym accessory rack to the Jungle Gym.

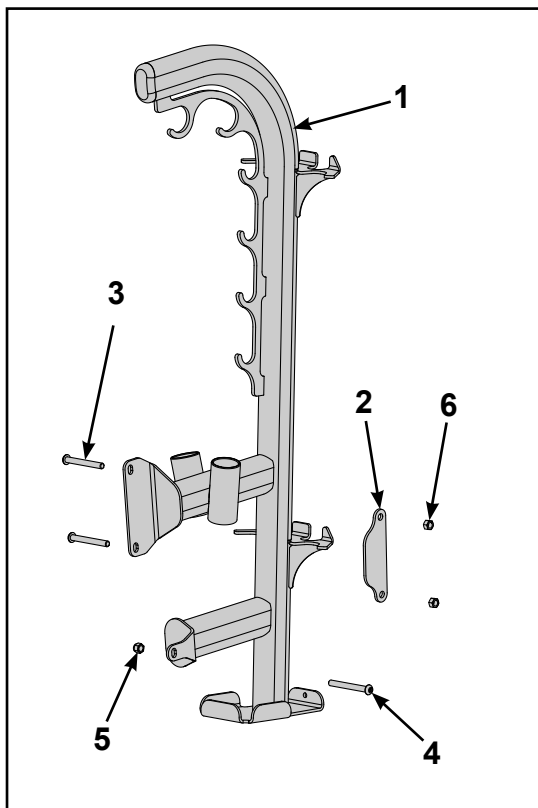
Two people are recommended for this procedure.

TOOLS REQUIRED

- 7/32" Allen wrench
- 9/16" Wrench

 Read and understand all instructions thoroughly before installation.

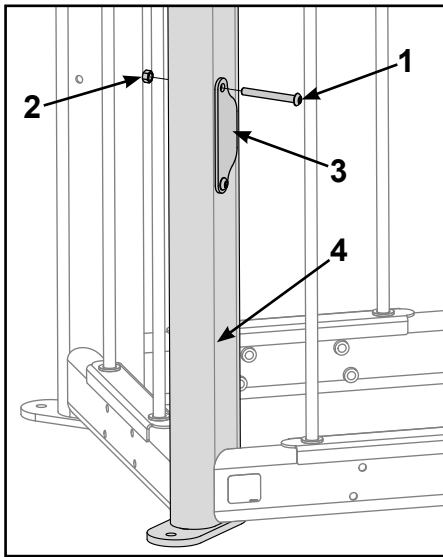
Kit Contents:



Item	Description	Qty
1	Accessory rack	1
2	Plate	1
3	BHSCS, 3.25"	2
4	BHSCS, 3.50"	1
5	Locknut, nylon	1
6	Locknut, nylon patch	2

Remove BHSCS from frame assembly

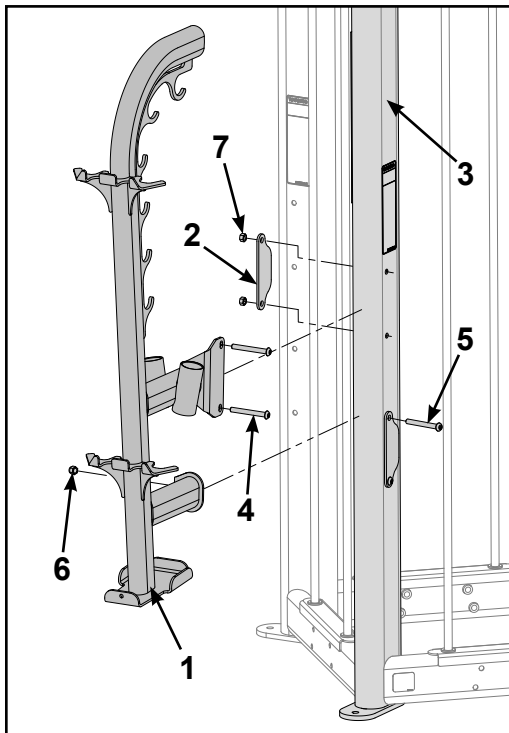
Remove top BHSCS and locknut from plate on frame assembly using a 7/32" Allen wrench and a 9/16" wrench.



Item	Description	Qty
1	BHSCS	1
2	Locknut	1
3	Plate	1
4	Frame assembly	1

Install accessory rack to frame assembly

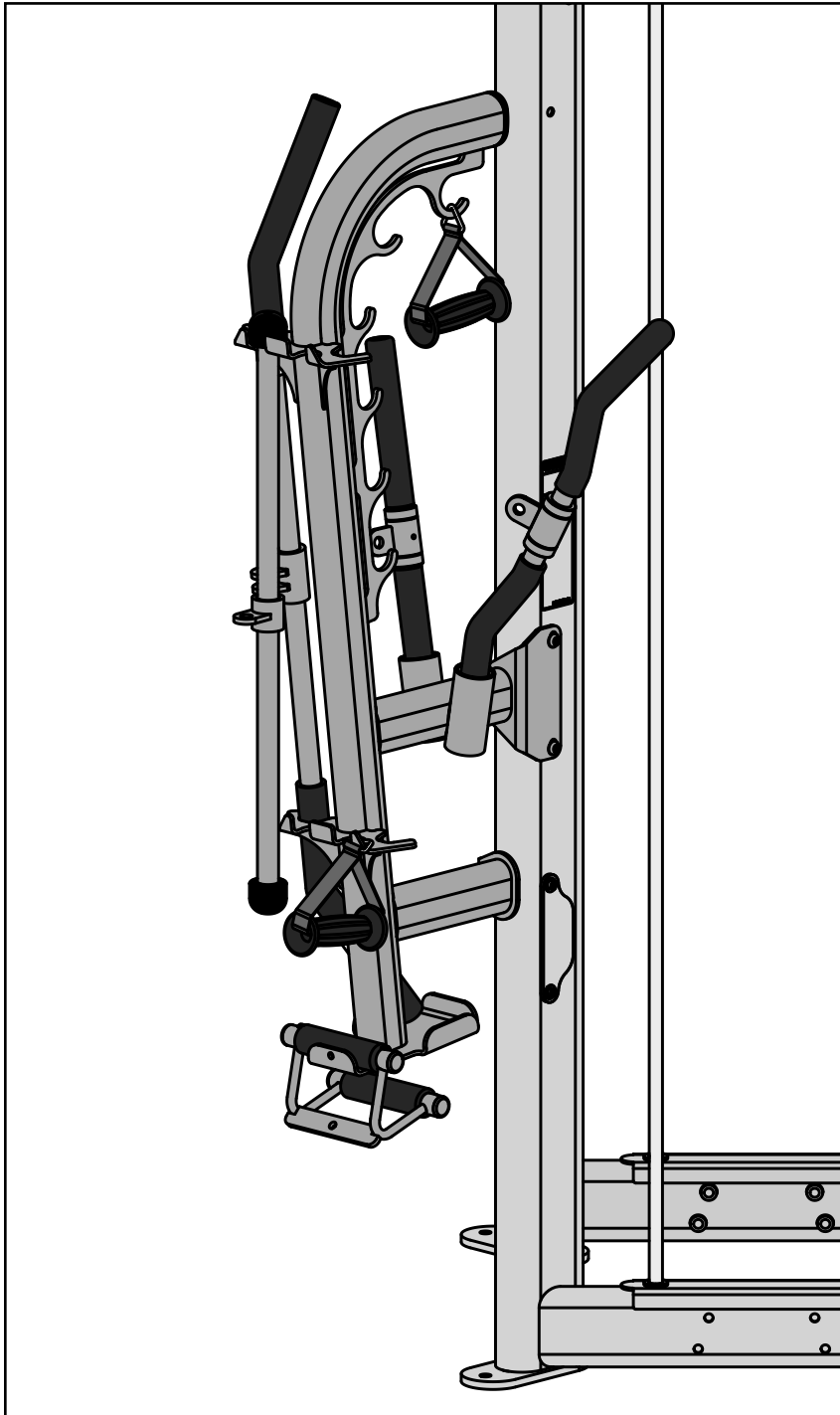
Install accessory rack and plate to frame assembly with BHSCS and locknuts using a 7/32" Allen wrench and a 9/16" wrench.



Item	Description	Qty
1	Accessory rack	1
2	Plate	1
3	Frame assembly	1
4	BHSCS, 3.25"	2
5	BHSCS, 3.50"	1
6	Locknut, nylon	1
7	Locknut, nylon patch	2

Accessory rack installed

Jungle gym accessory rack shown with accessories attached.



Cybox® and the Cybox logo are registered trademarks of Cybox International, Inc.
10 Trotter Drive Medway, MA 02053

508-533-4300 • FAX 508-533-5183 • www.cyboxintl.com

Copyright © 2014, Cybox International, Inc. All rights reserved • 17005-322 • November 2014